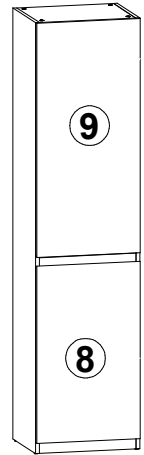
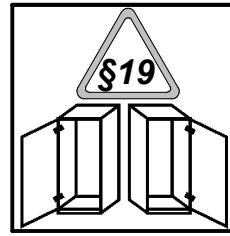
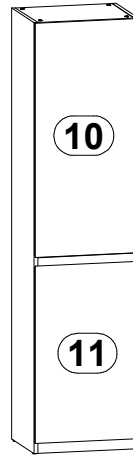


A	B	C	D	
1	S73-103	2030	403	1/3
2	S73-104	2030	403	1/3
3	S73-301	464	403	2/3
4	S73-302	464	403	2/3
5	S73-402	464	50	2/3
6	S73-410	464	50	2/3
7	S73-903	1975	495	1/3

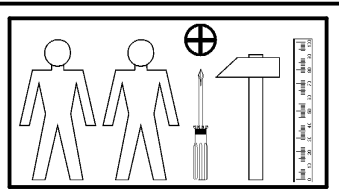
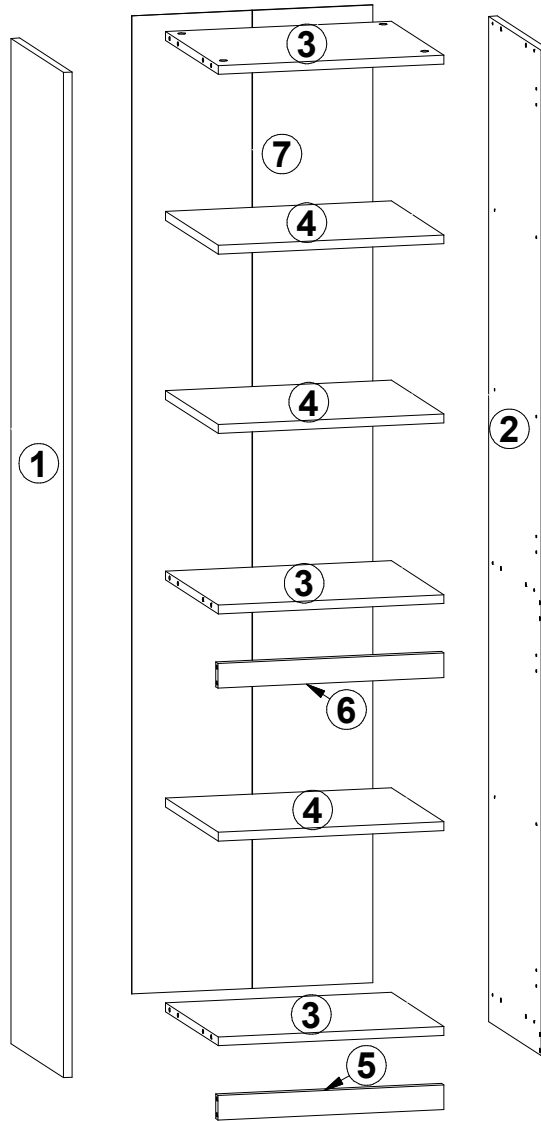


### S73-REG2D/50/L

A	B	C	D	
8	S73-003	836	496	3/3
9	S73-004	1104	496	3/3

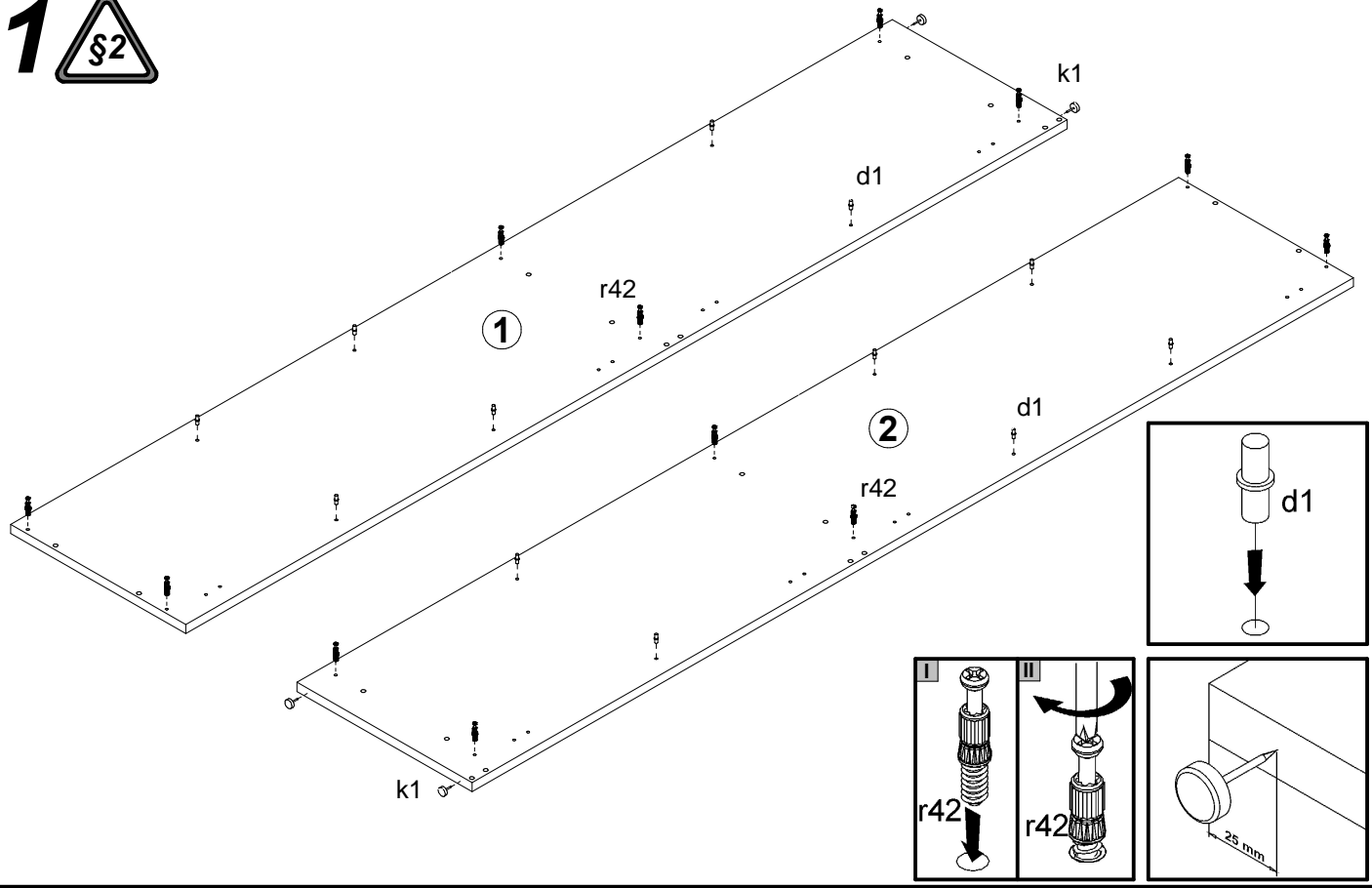
### S73-REG2D/50/P

A	B	C	D	
10	S73-018	1104	496	3/3
11	S73-019	836	496	3/3

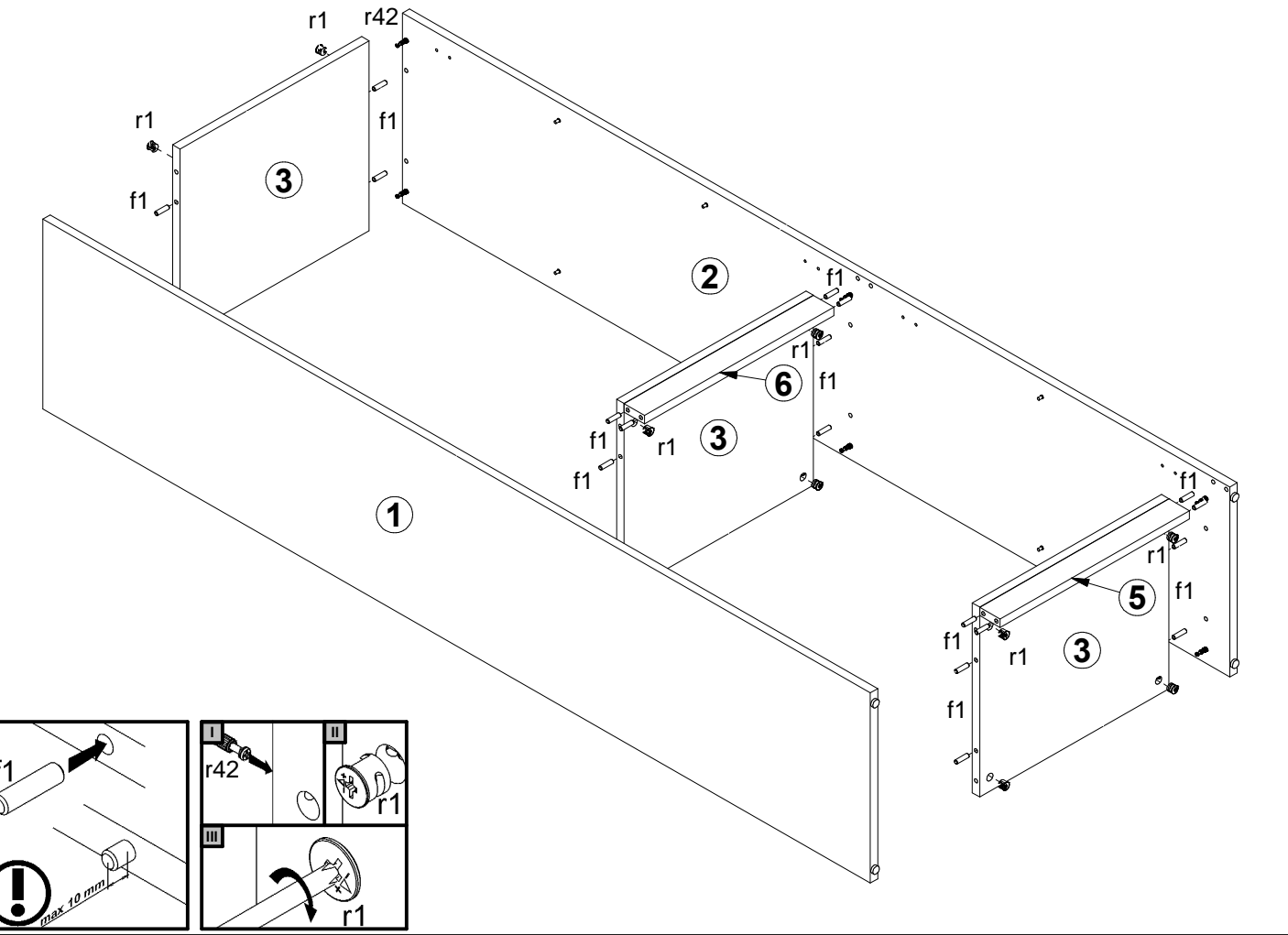


4x  a44	4x  b33	12x  d1 φ5x17 mm	8x  e2 φ6,3x13 mm	20x  f1 φ8x30 mm	4x  k1	55x  l1	8x  p51 φ3,5x15 mm	12x  r1 φ1,5x12mm #16	
12x  r42	1x  n26\1	1x  p38 φ3,5x16 mm							

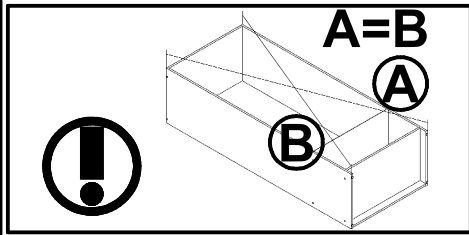
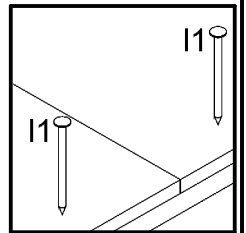
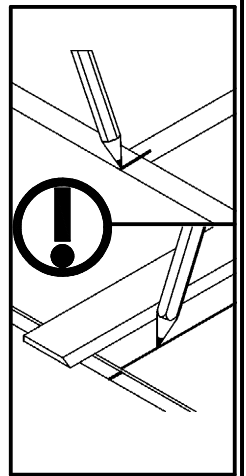
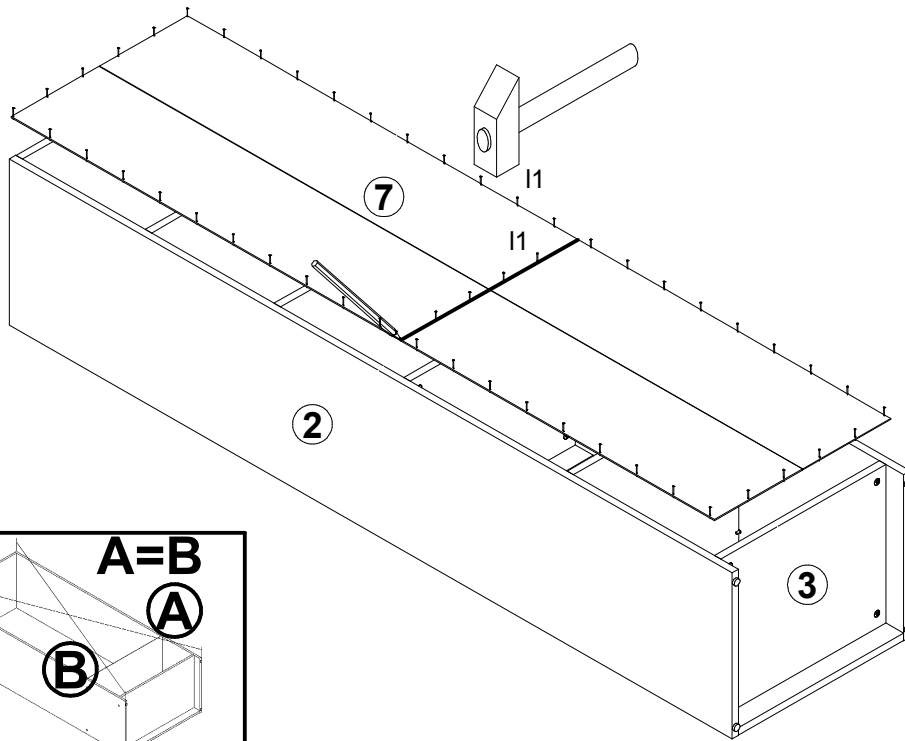
# 1



# 2



# 3



# 4

§14

