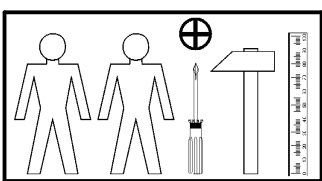
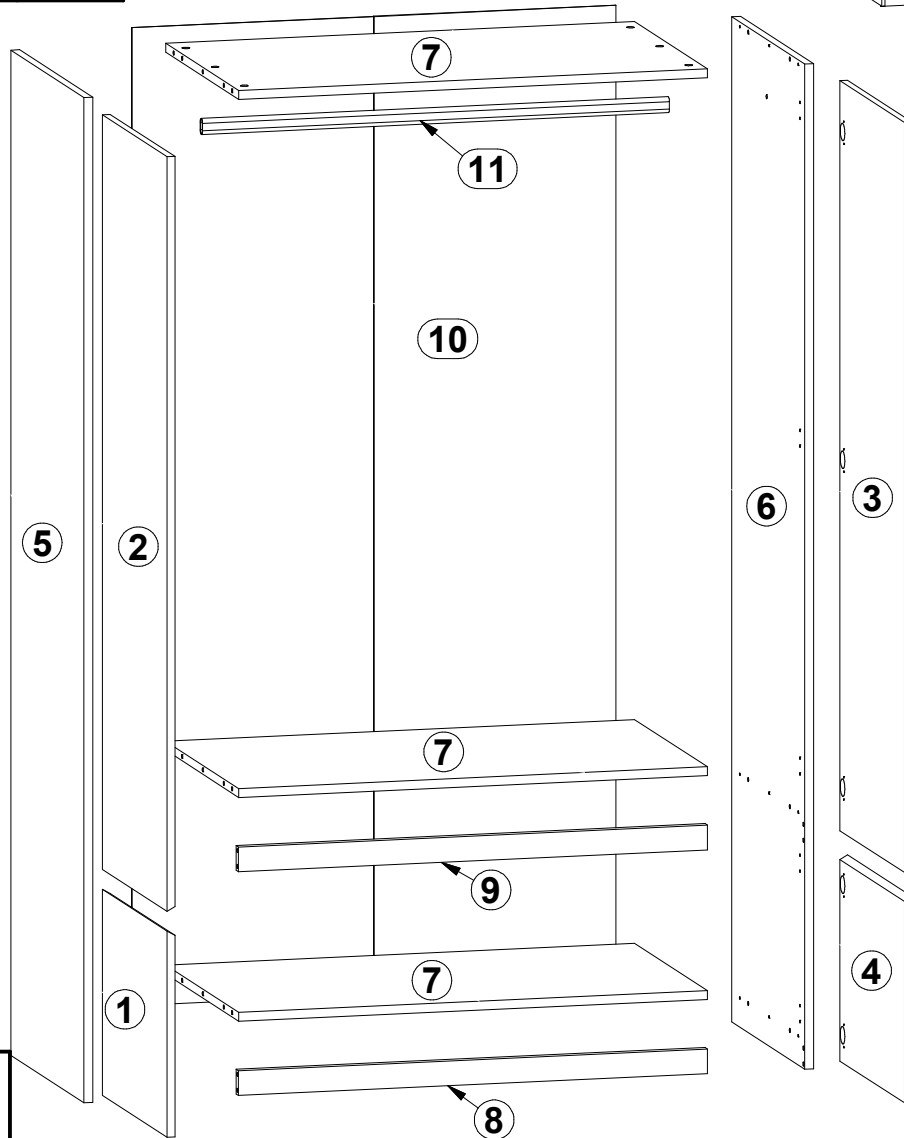
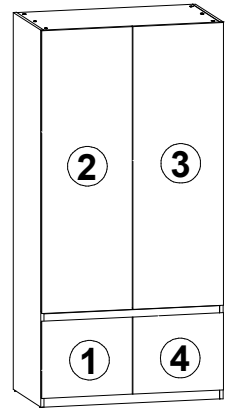
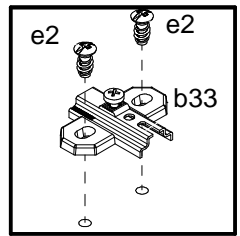
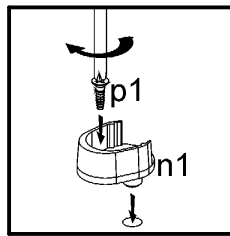
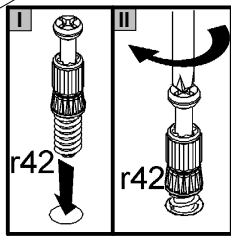
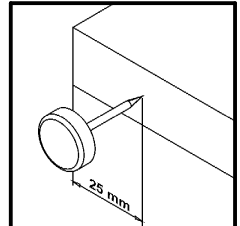
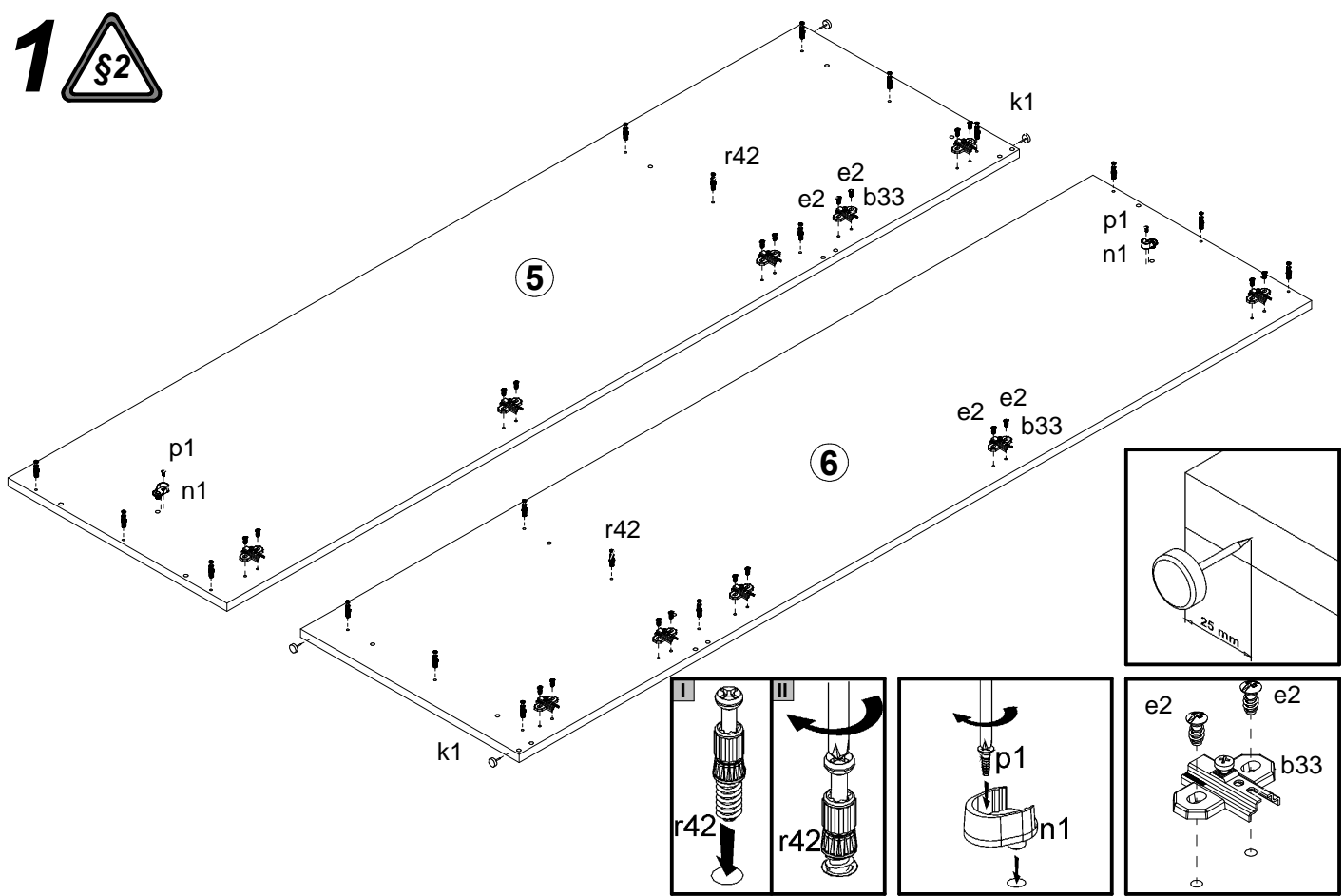


A	B	C		D
1	S73-006	416	496	3/3
2	S73-007	1524	496	3/3
3	S73-008	1524	496	3/3
4	S73-009	416	496	3/3
5	S73-109	2030	560	1/3
6	S73-110	2030	560	1/3
7	S73-304	964	560	2/3
8	S73-404	964	50	2/3
9	S73-411	964	50	2/3
10	S73-907	1975	995	1/3
11	dr-960	960	30	2/3

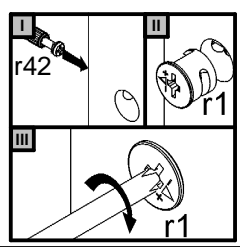
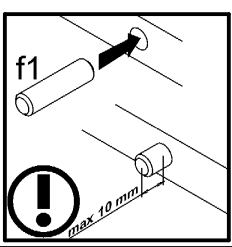
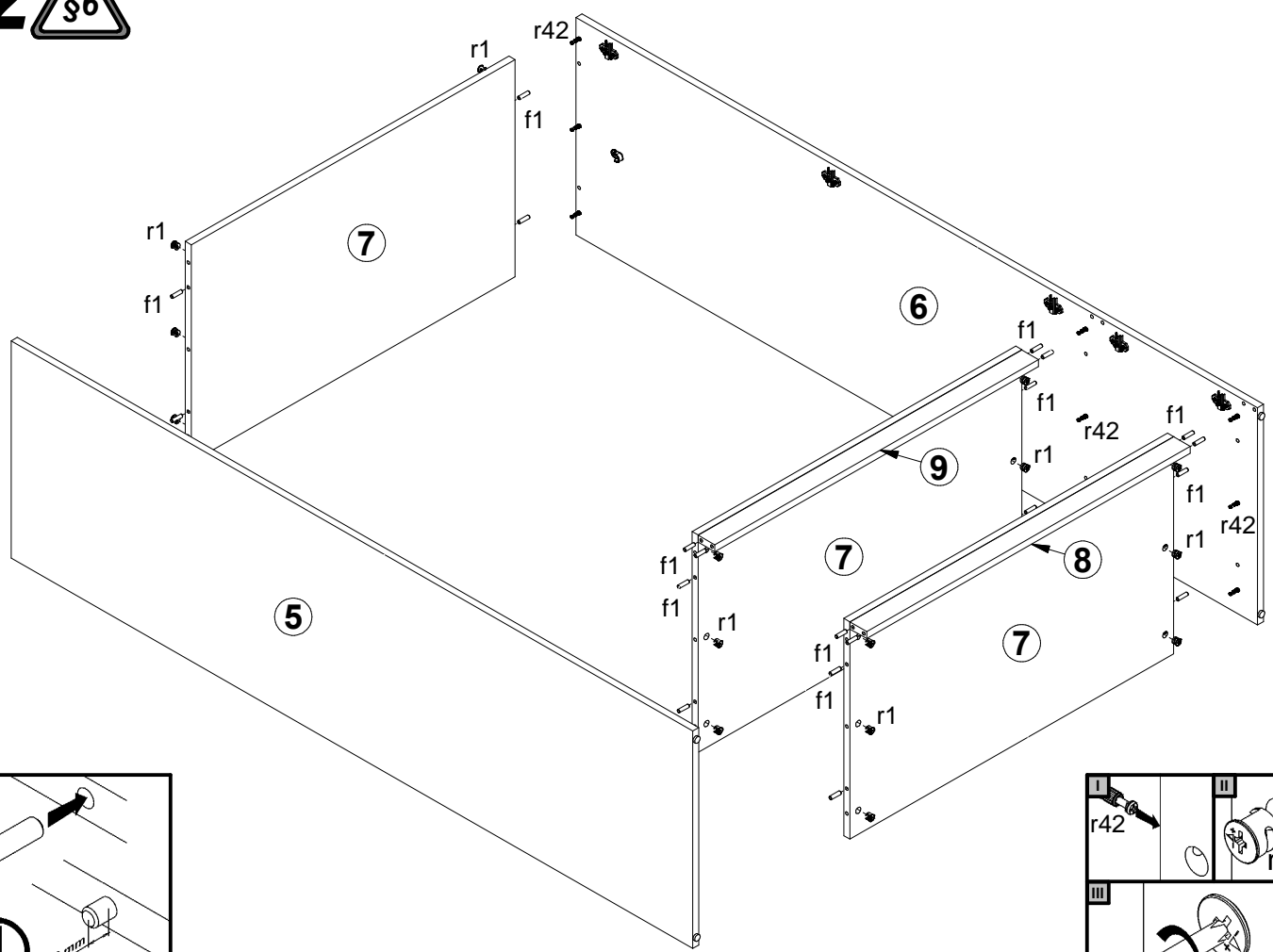


10x a44	10x b33	20x e2 φ6,3x13 mm	20x f1 φ8x30 mm	4x k1	70x l1	2x n1	2x p1 φ3,5x13 mm	20x p51 φ3,5x15 mm
18x r1 φ1,5x12mm #16	18x r42	1x n26/1	1x p38 φ3,5x16 mm					

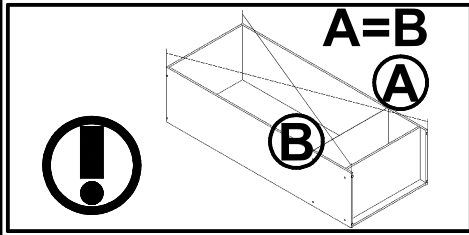
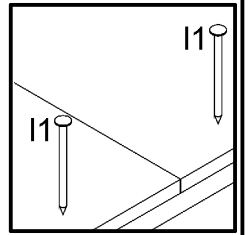
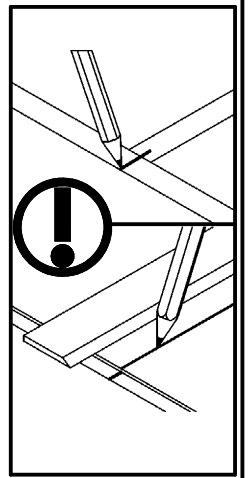
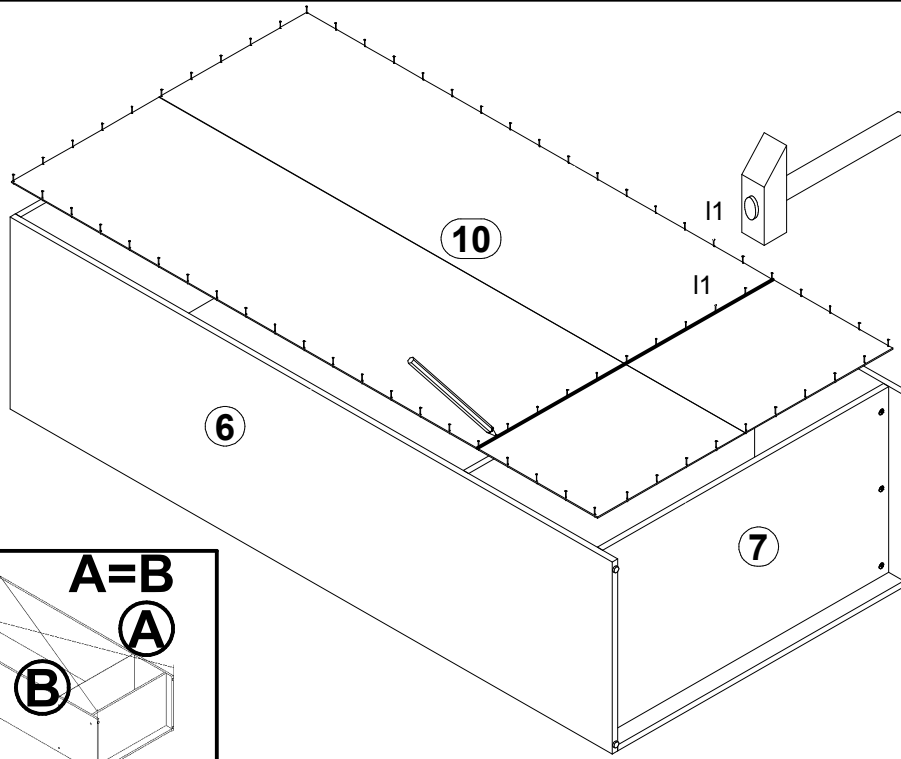
1



2



3



4

