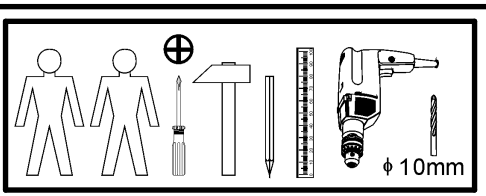
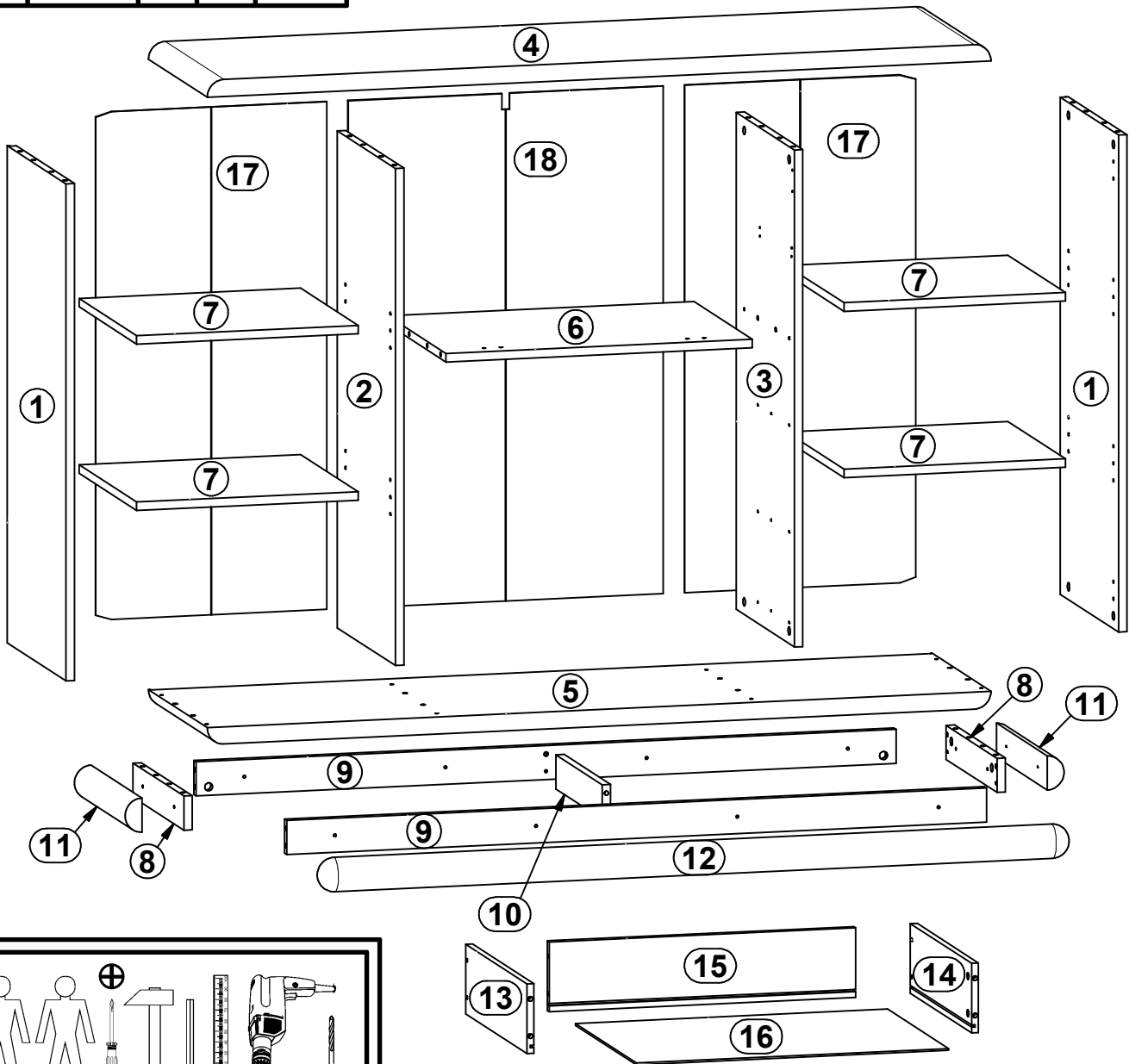
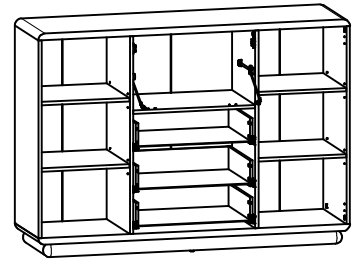


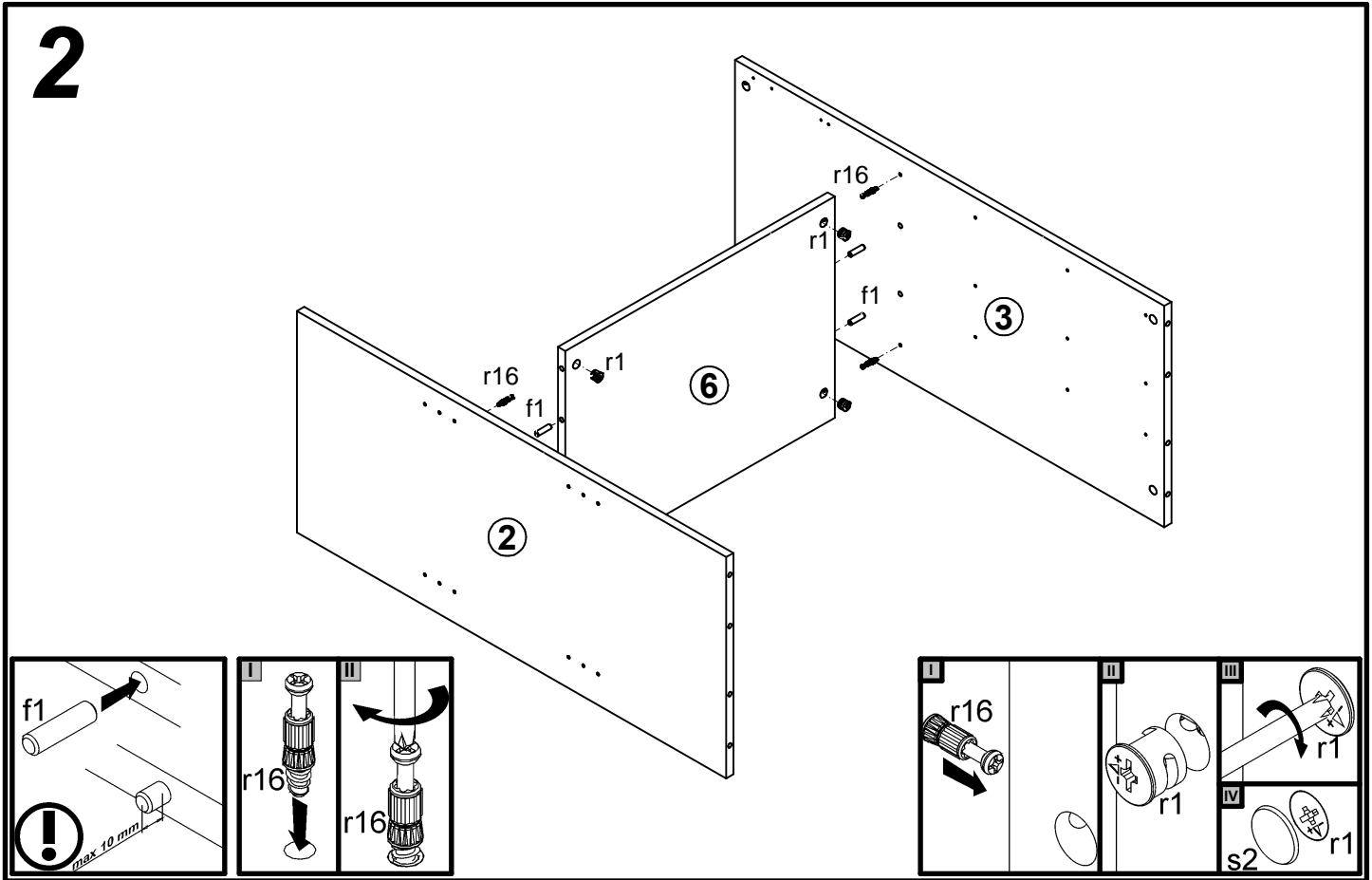
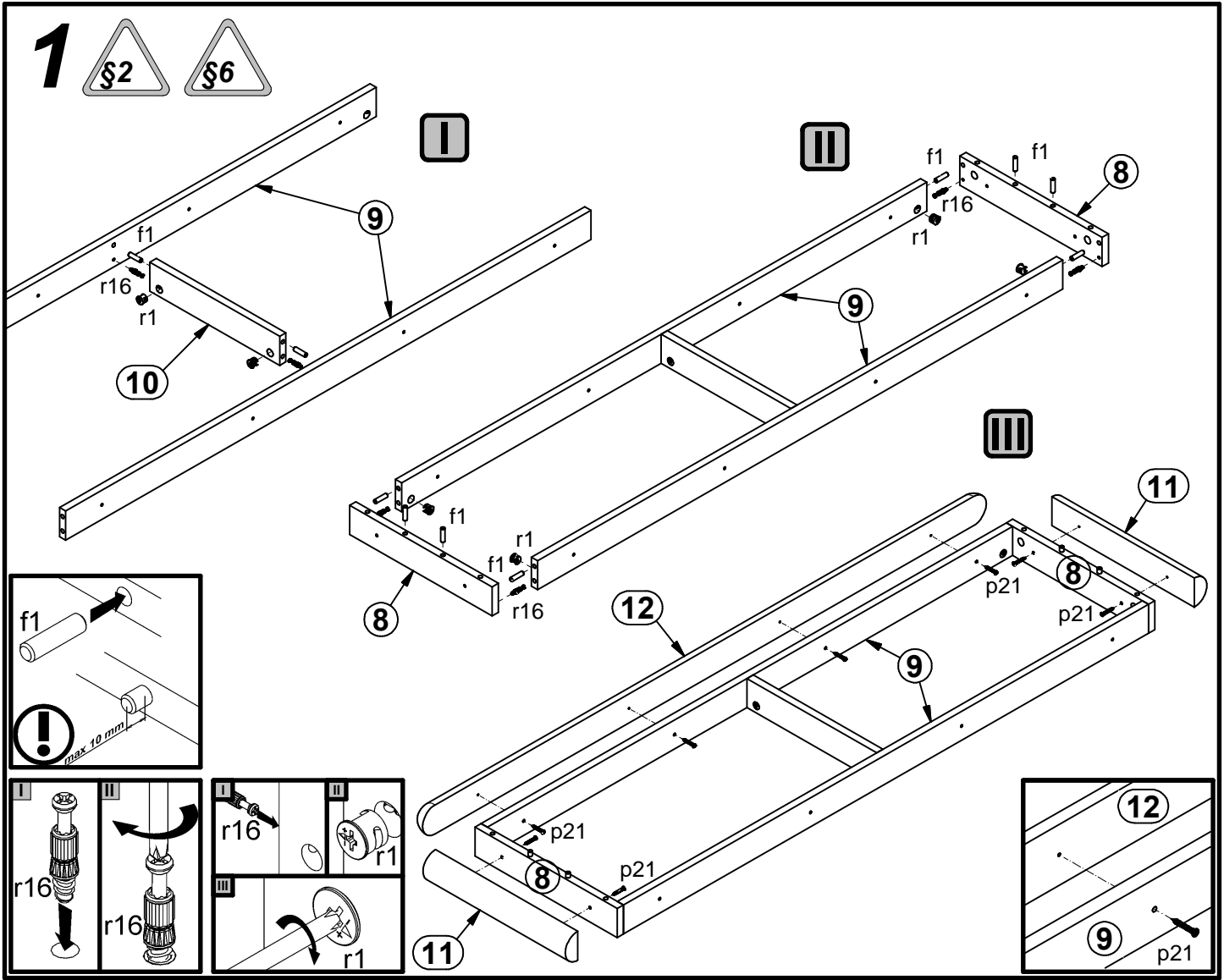
TAURI

S59-KOM2D1K3S/11/15

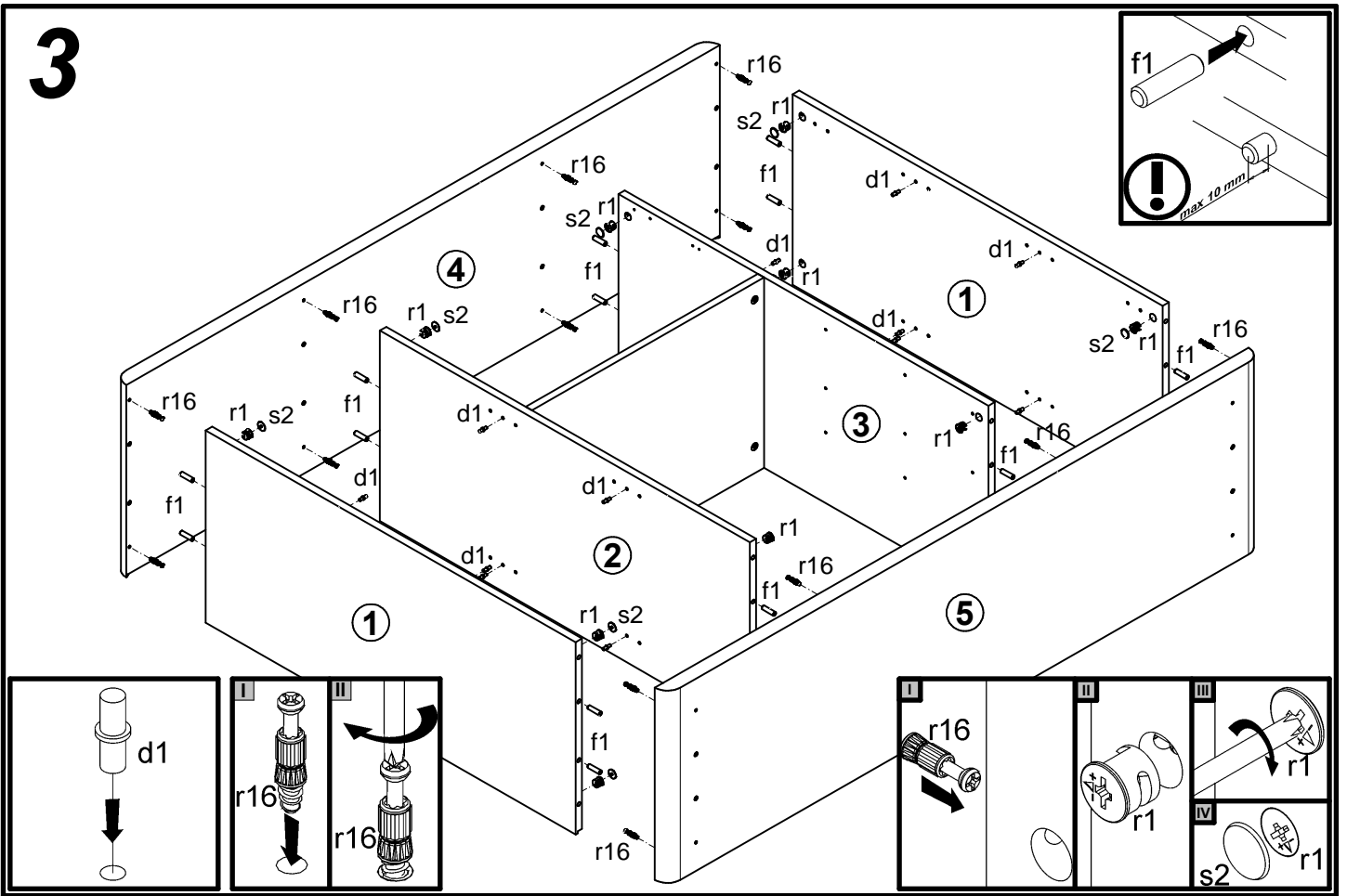
A	B	C	D	A	B	C	D		
1	S59-103	932	419	2/3	11	S59-452	362	64	1/3
2	S59-112	932	415	2/3	12	S59-456	1434	64	1/3
3	S59-113	932	415	2/3	13	S59-501/A	400	120	2/3
4	S59-211	1496	419	1/3	14	S59-502/A	400	120	2/3
5	S59-212	1496	419	1/3	15	S59-505	536	120	2/3
6	S59-308	585	415	2/3	16	S59-908	546	398	2/3
7	S59-309	423	410	2/3	17	S59-9906	952	441	2/3
8	S59-401	362	64	1/3	18	S59-9907	952	601	2/3
9	S59-407	1336	64	1/3					
10	S59-408	330	64	1/3					



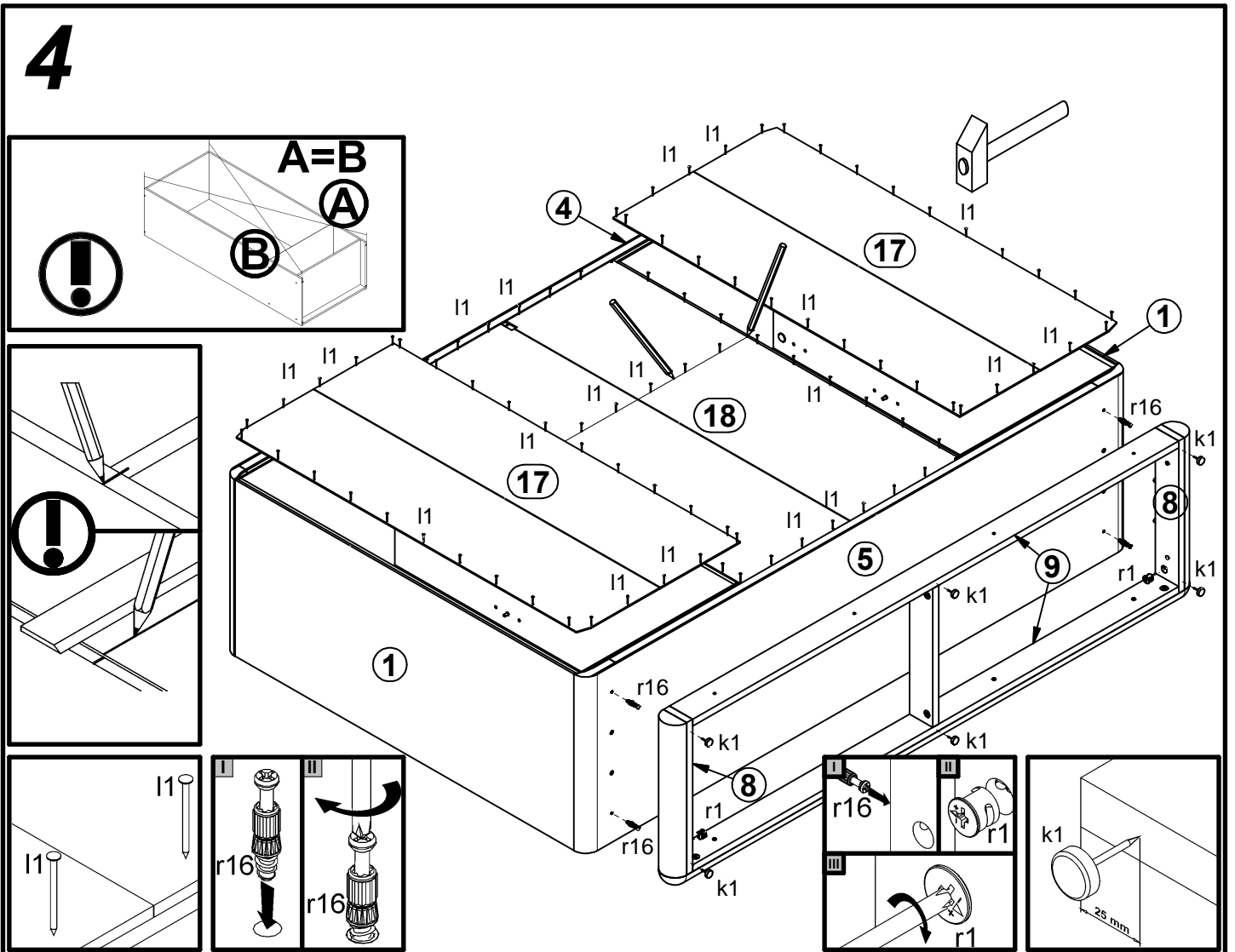
16x φ5x17 mm d1	18x φ6x13 mm e3	30x φ8x30 mm f1	12x φ6.5x40 mm f25	1x φ10x50 mm f35	6x k1	110x l1	1x m1\L	1x m1\P
2x n2	2x 50x121.5 mm n3	1x 81x211x151.5 mm n14	1x φ5x60 mm p17	8x φ4x30 mm p21	6x φ3.5x13 mm p27	8x φ2.9x24 mm p50	16x φ3x12 mm p54	6x φ3.5x20 mm p79
30x φ15x12 mm #16 r1	12x φ12x10.5 mm #12 r15	42x r16	16x ø16 s2	3x 400 mm w5\CL	3x 400 mm w5\CR	3x 400 mm w5\DL	3x 400 mm w5\DR	



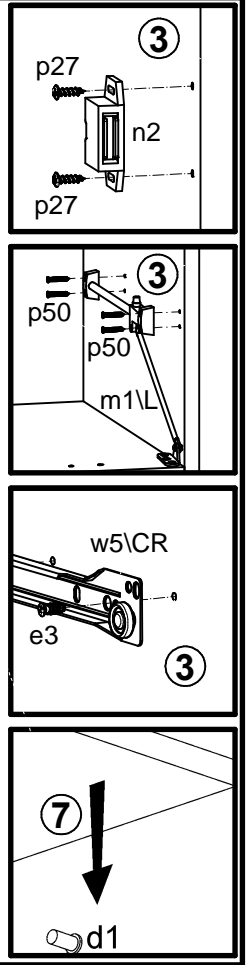
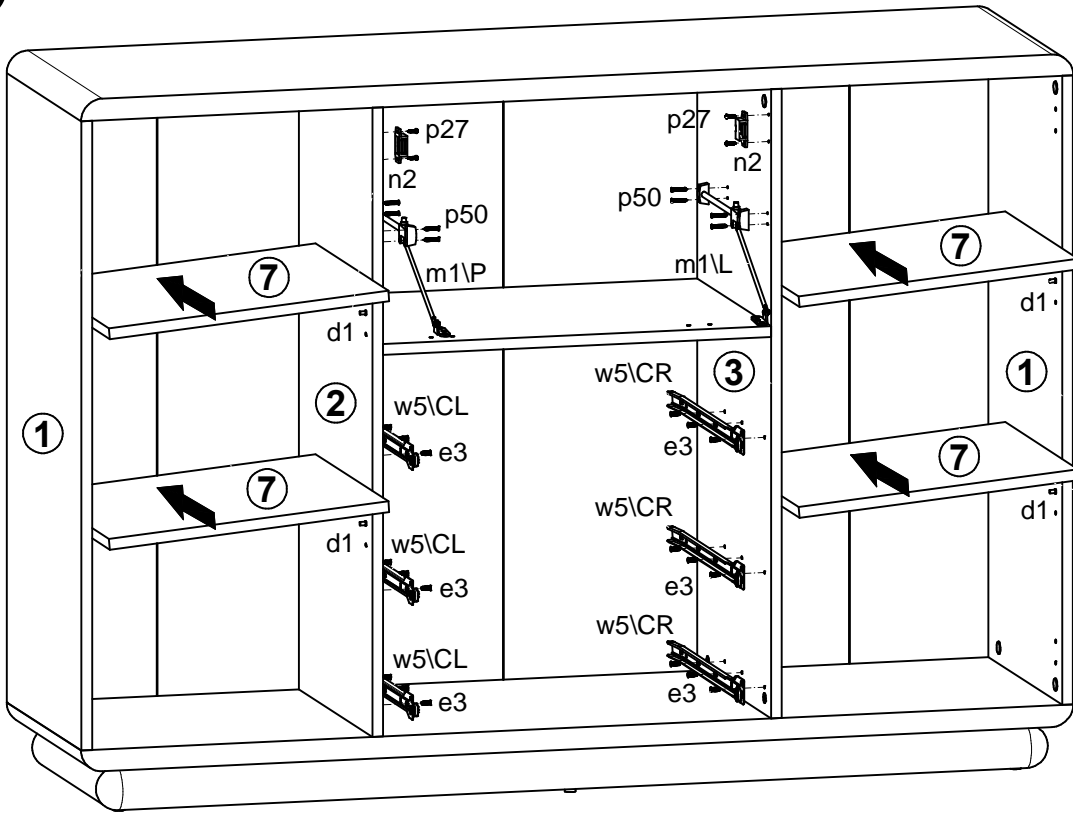
3



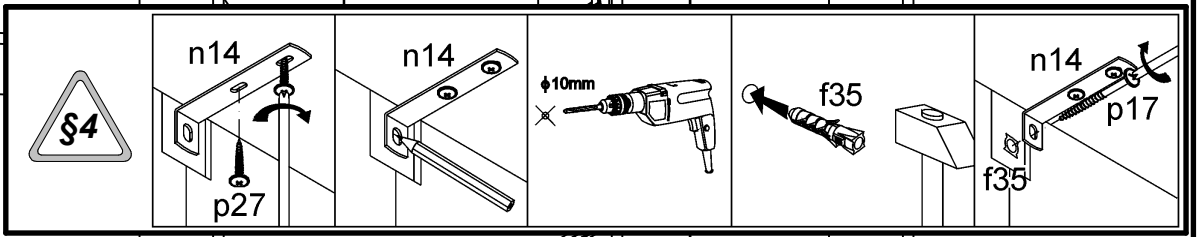
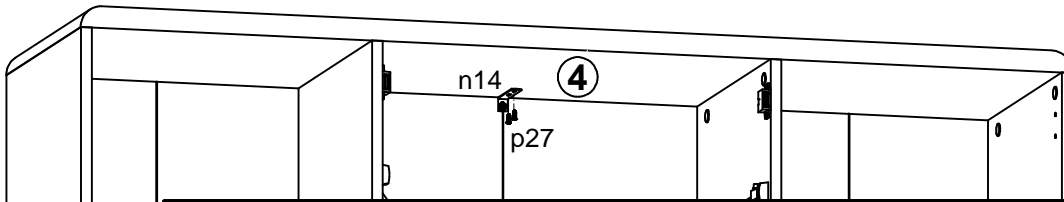
4



5



6



7

