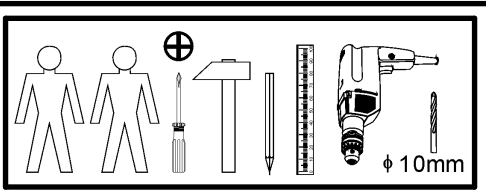
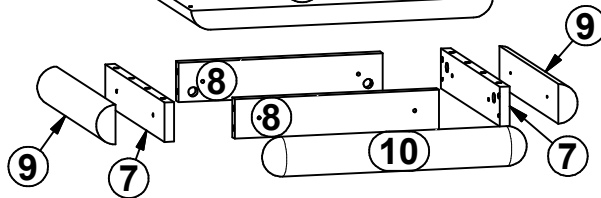
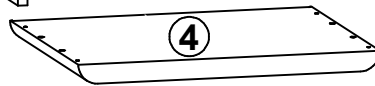
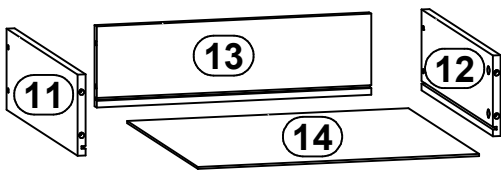
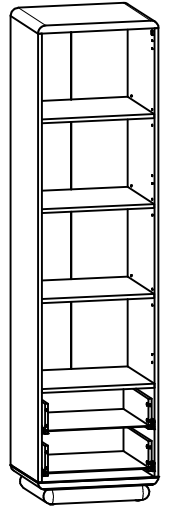
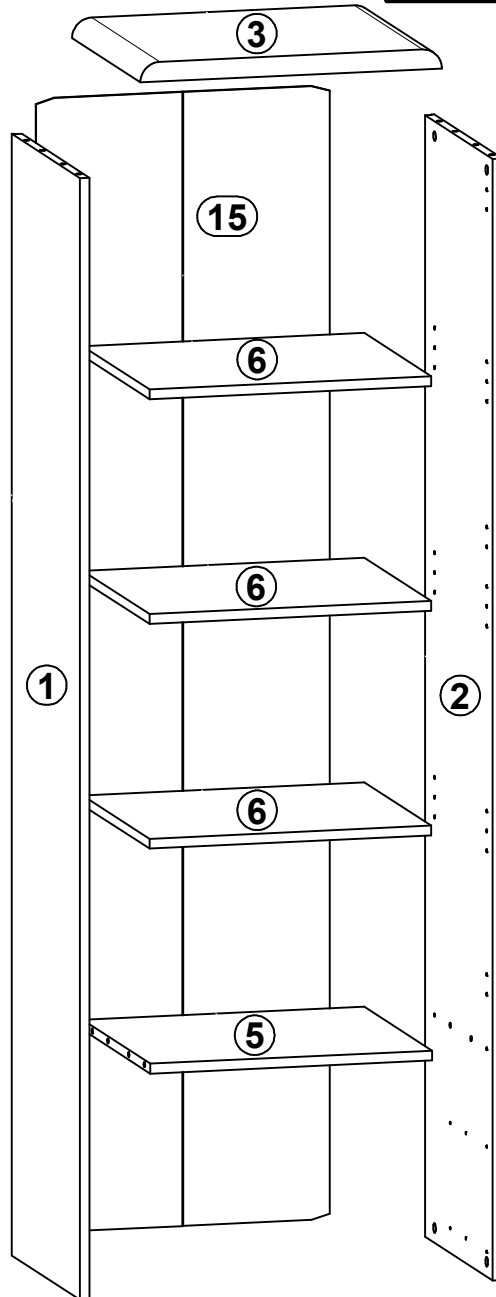


# TAURI

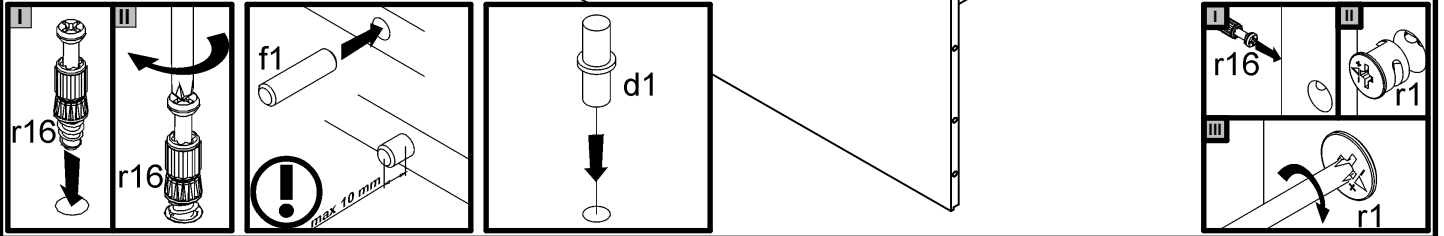
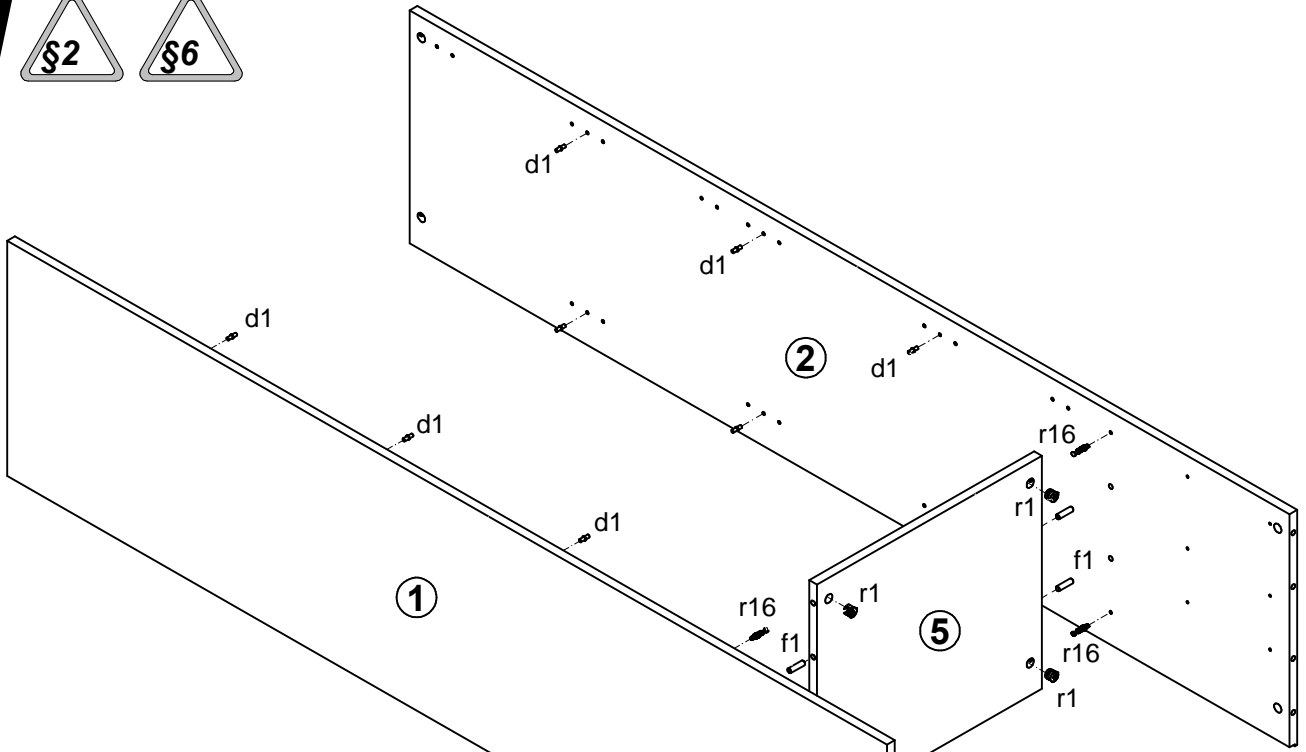
S59-REG1D2S/19/5  
S59-REG1W2S/19/5

A	B	C	D
1	S59-108	1812	419
2	S59-109	1812	419
3	S59-201	496	419
4	S59-202	496	419
5	S59-306	463	415
6	S59-307	463	410
7	S59-401	362	64
8	S59-406	336	64
9	S59-452	362	64
10	S59-455	434	64
11	S59-501/A	400	120
12	S59-502/A	400	120
13	S59-503	414	120
14	S59-906	424	398
15	S59-9905	1832	483

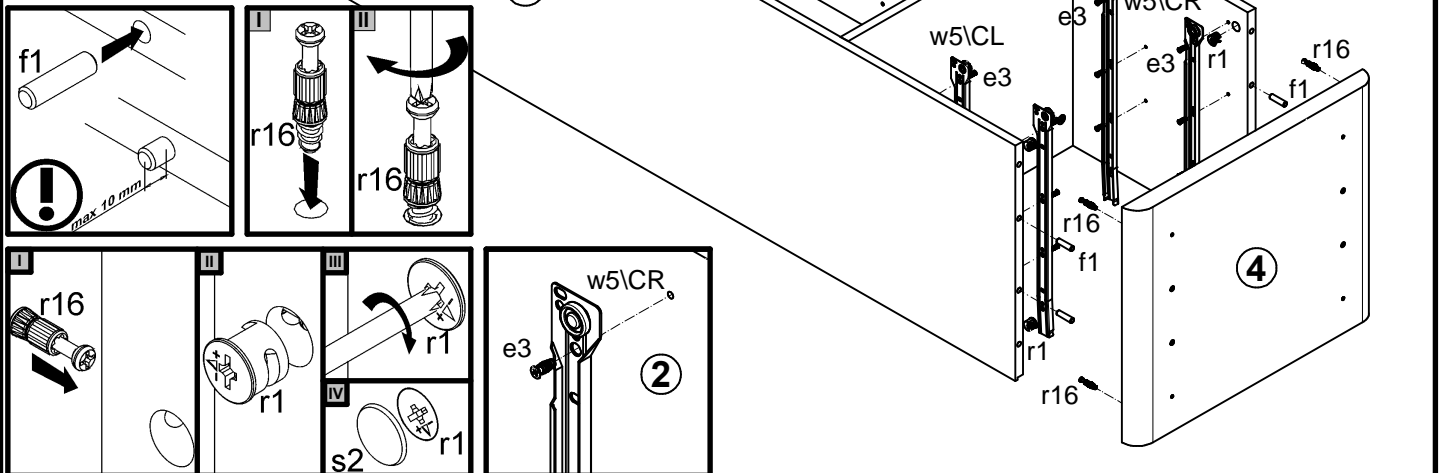
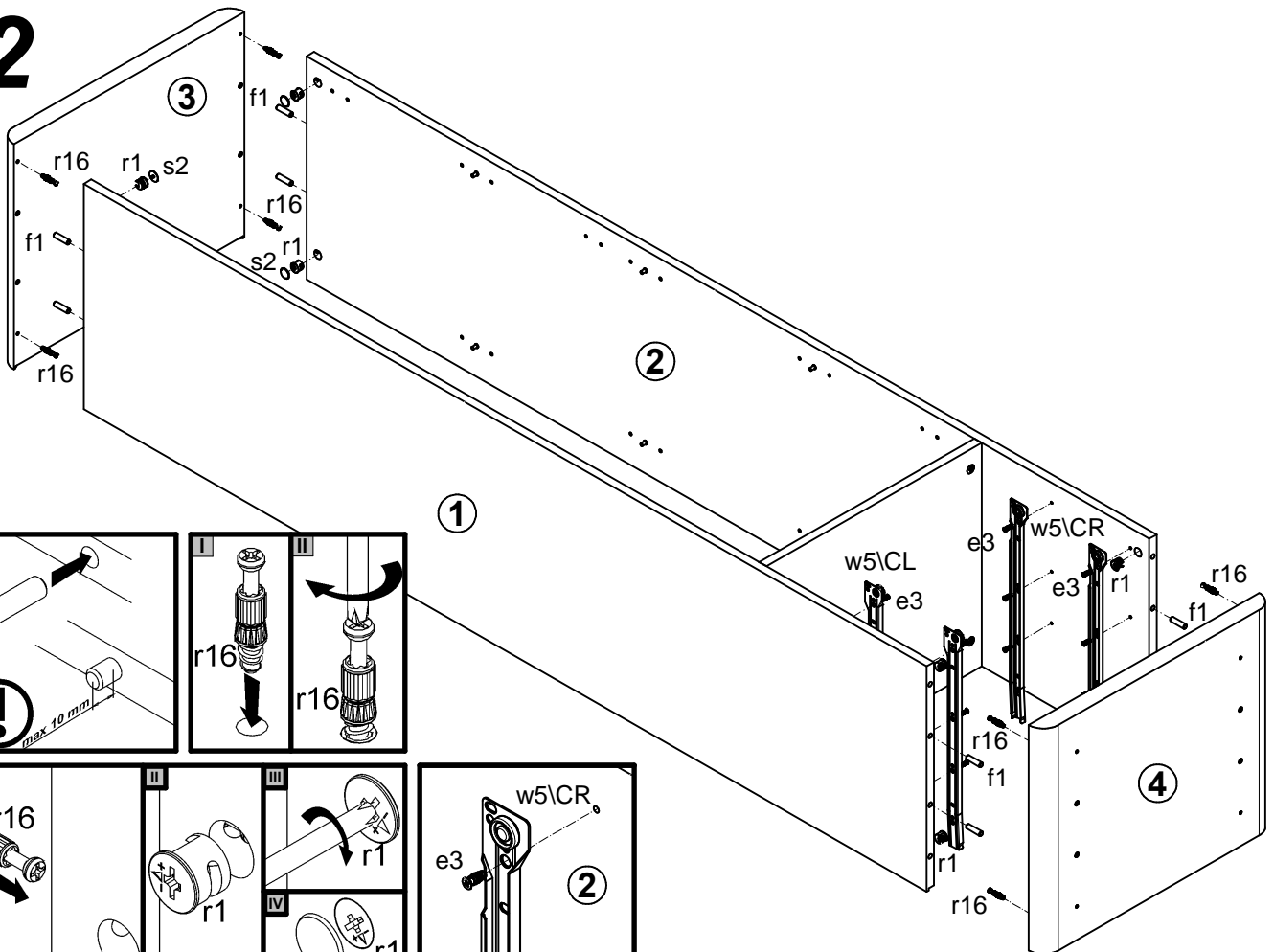


12x φ5x17 mm d1	12x φ6x13 mm e3	20x φ8x30 mm f1	8x φ6.5x40 mm f25	1x φ10x50 mm f35	4x k1	55x l1	1x 81x21x15/1.5mm n14	1x φ5x60 mm p17
6x φ4x30 mm p21	2x φ3.5x13 mm p27	8x φ3x12 mm p54	20x φ15x12mm #16 r1	8x φ12x10.5mm #12 r15	28x r16	4x ø16 s2	2x 400 mm w5\CL	2x 400 mm w5\CR
2x 400 mm w5\DL	2x 400 mm w5\DR							

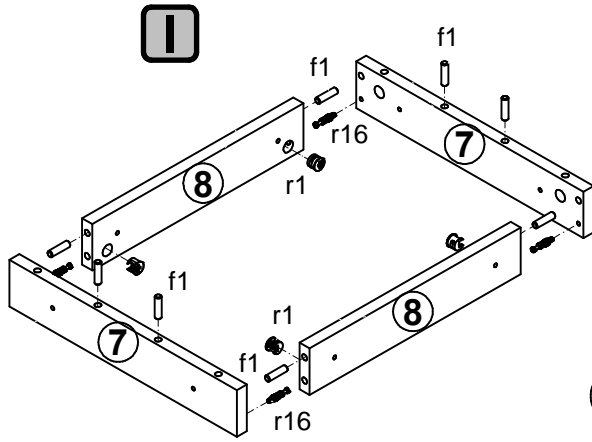
**1** §2 §6



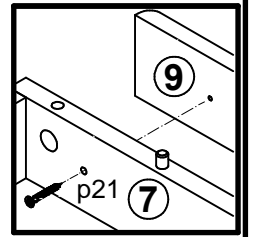
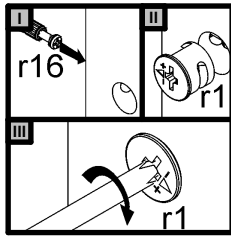
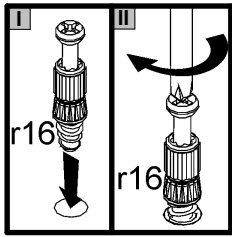
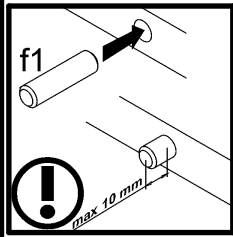
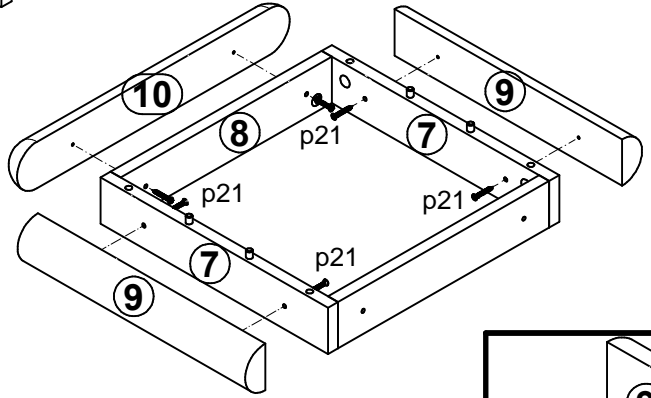
**2**



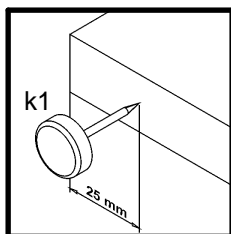
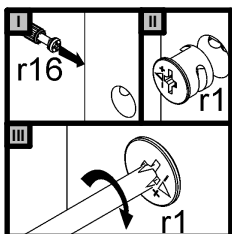
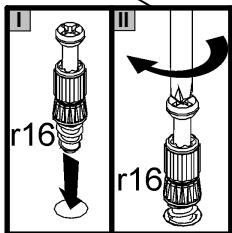
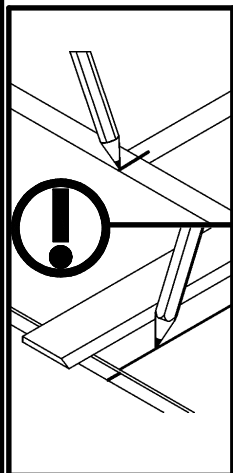
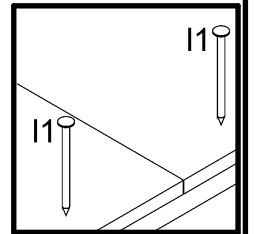
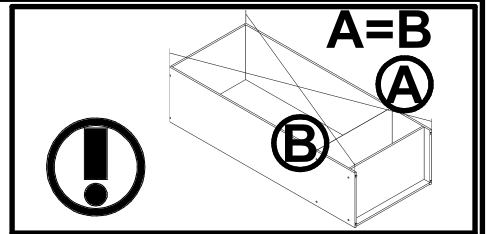
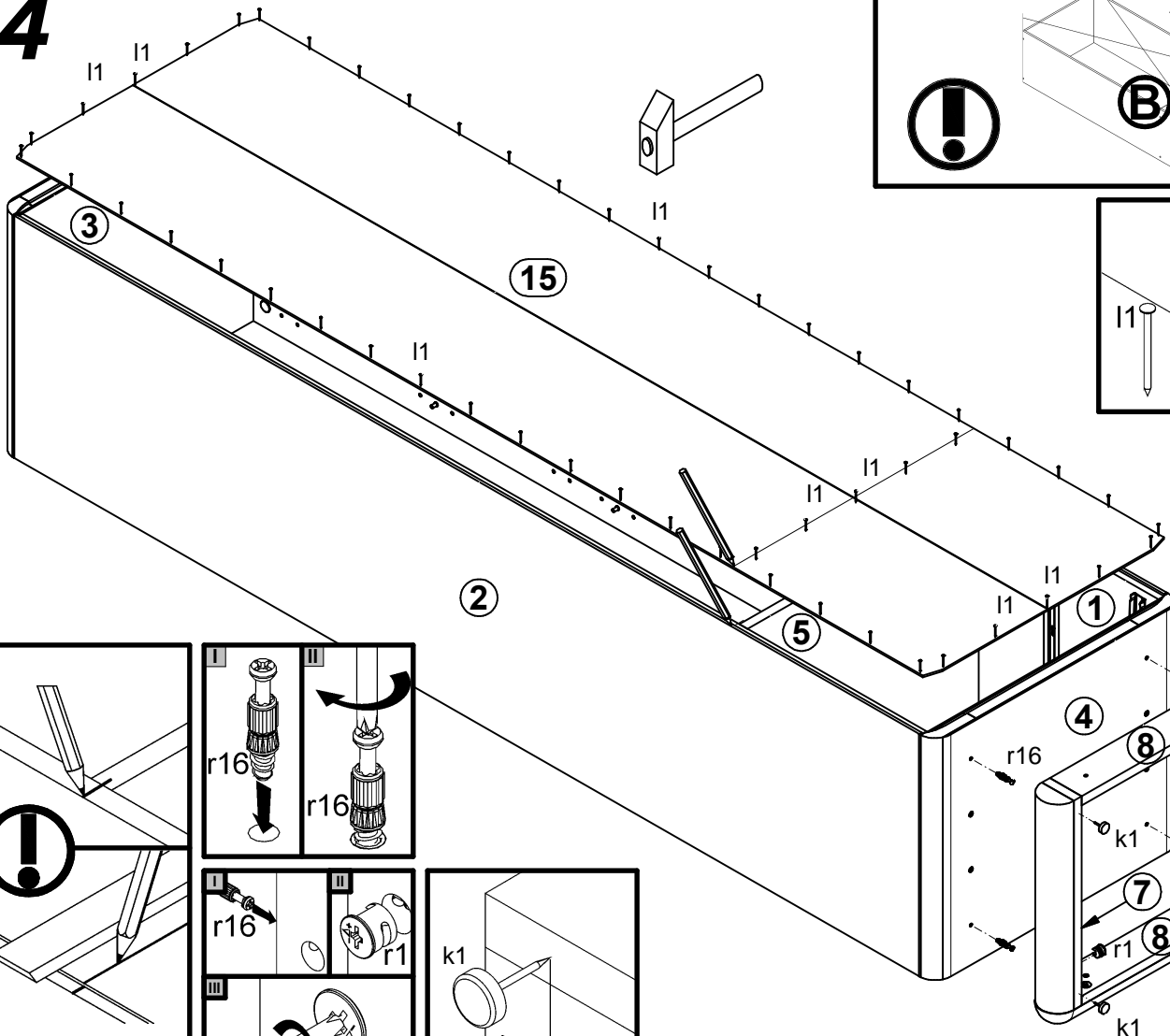
# 3



# II



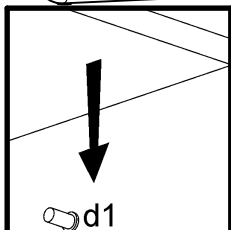
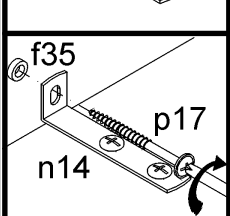
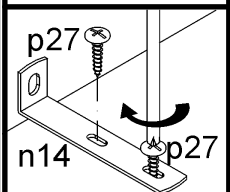
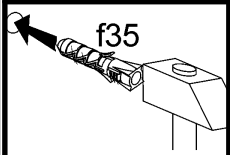
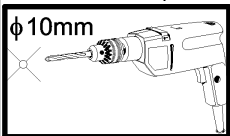
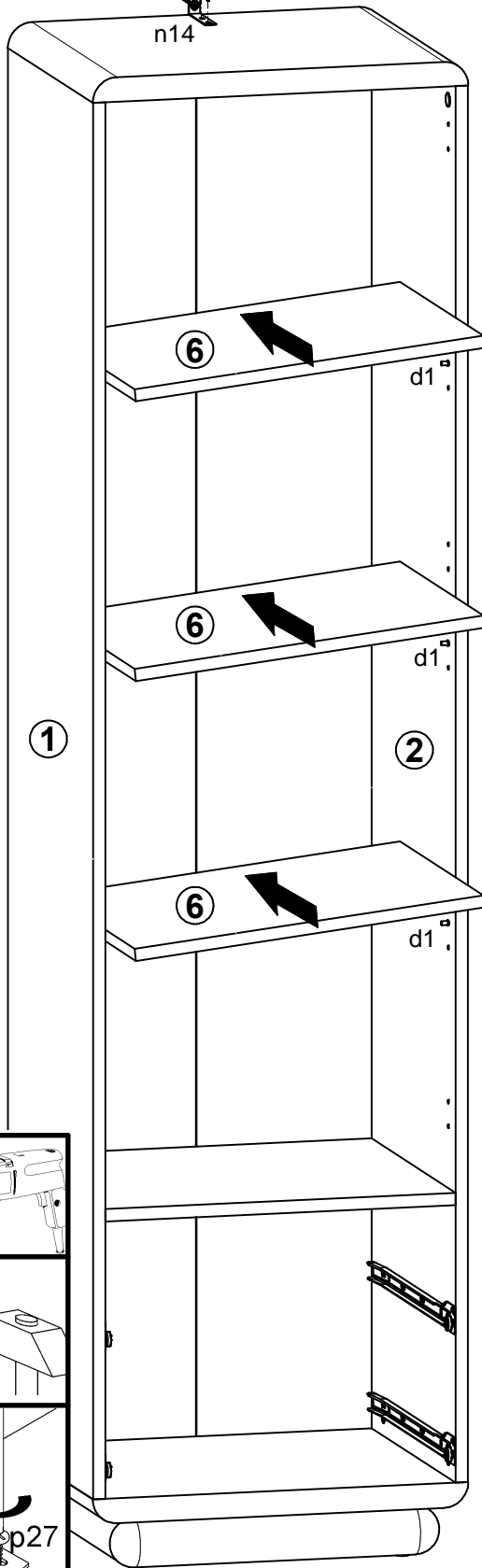
# 4



# 5

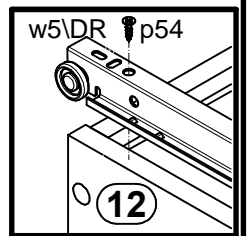
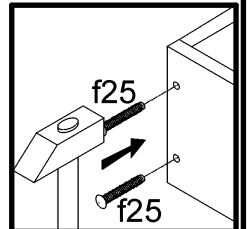
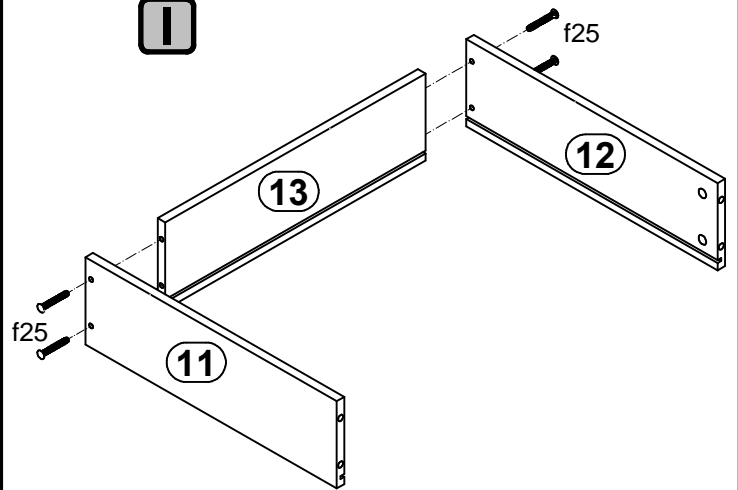


f35 p27  
n14



# 6

## I



## III

