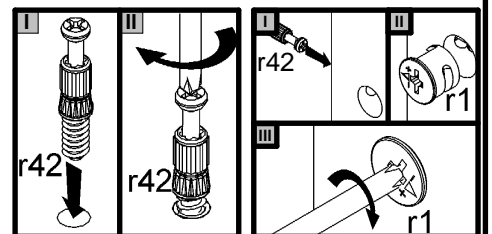
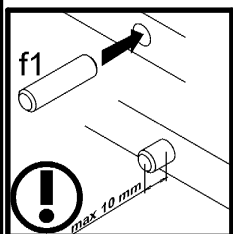
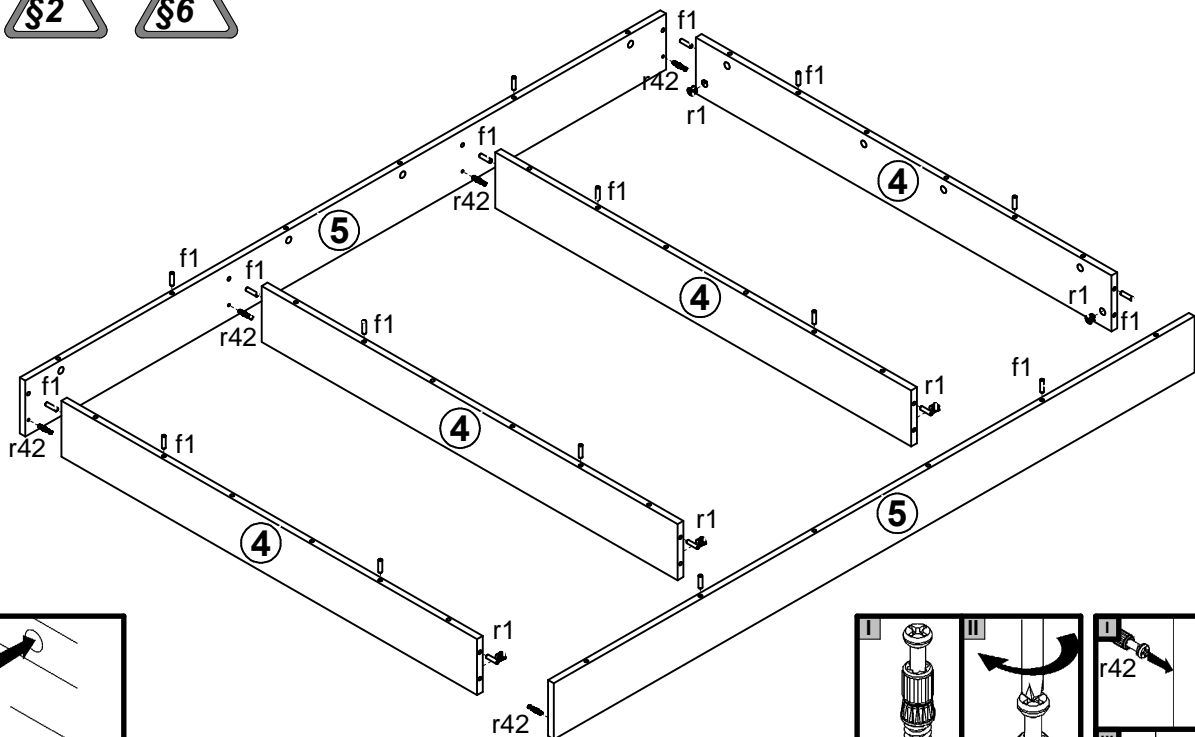
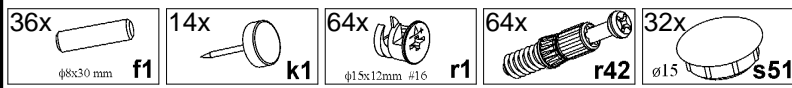
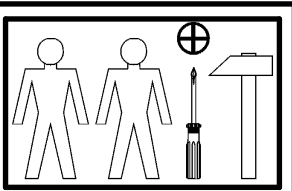
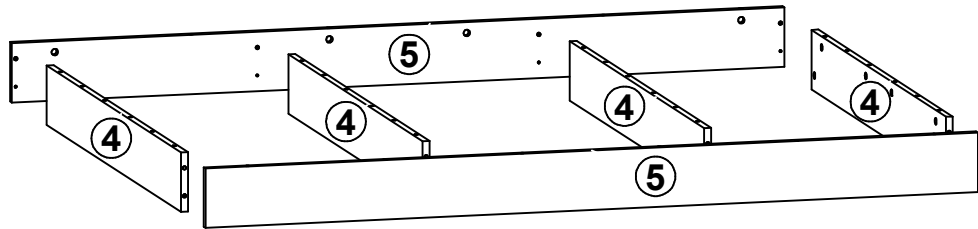
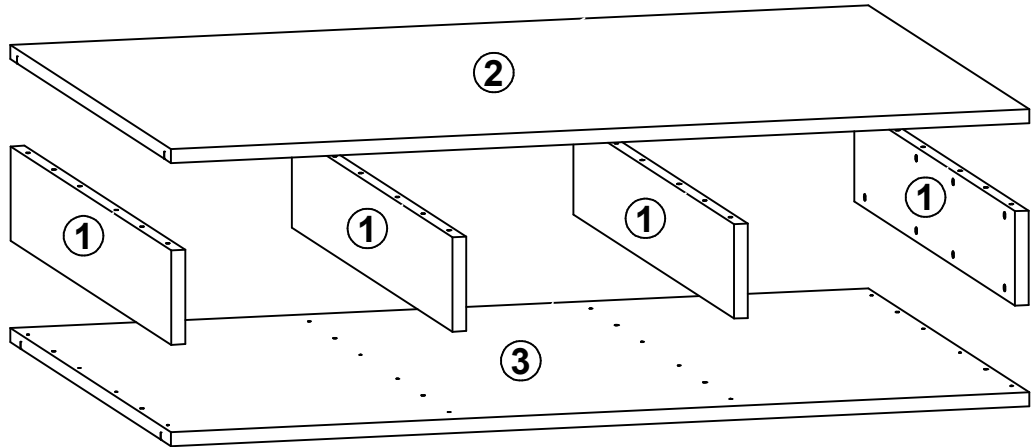
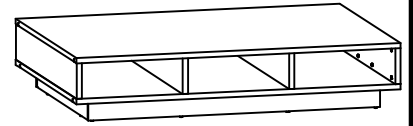


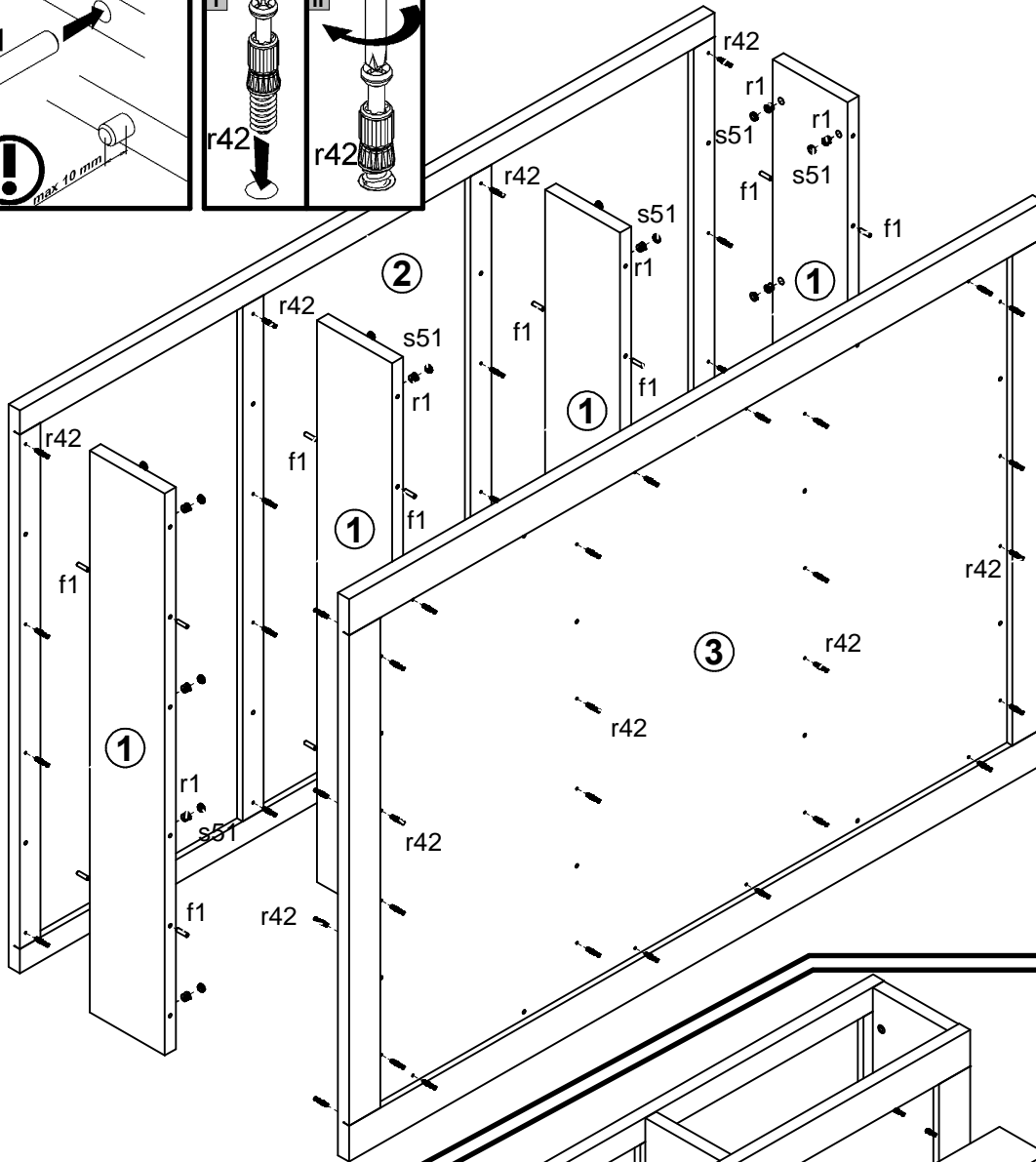
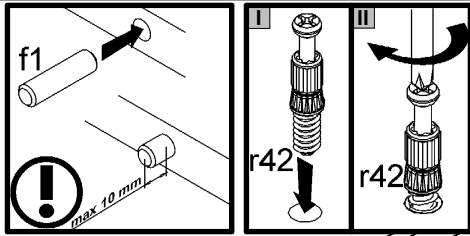
# THK

# Podest 01

A	B	C	D	
1	S79-109	216	1398	1/4
2	S79-211	1400	2000	2/4
3	S79-212	1400	2000	3/4
4	S79-403	1168	136	3/4
5	S79-404	1800	136	3/4



# 2



# 3

