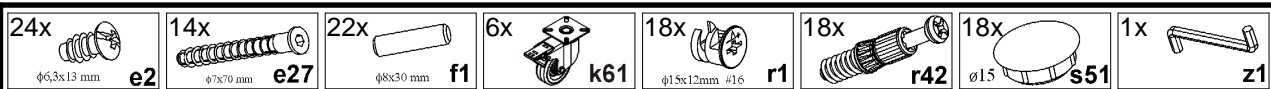
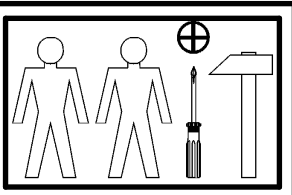
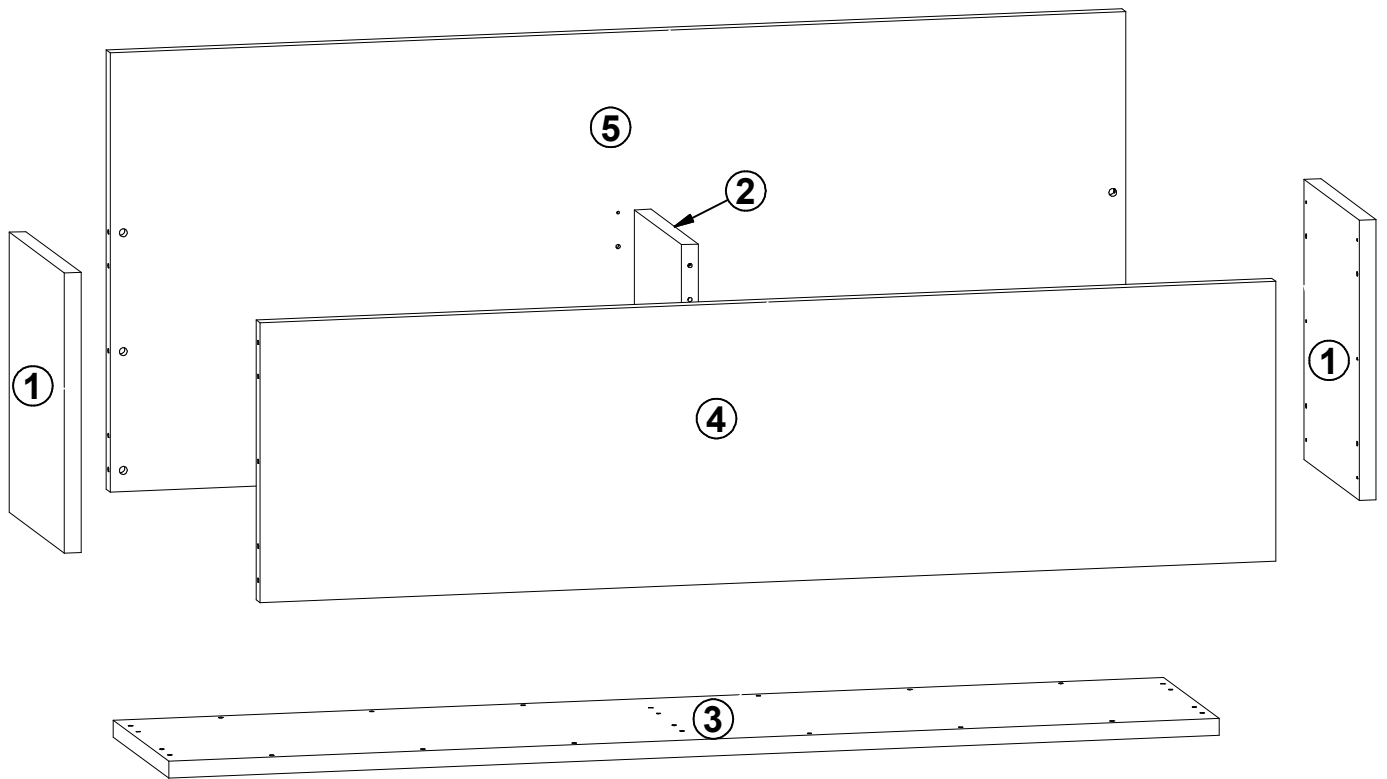
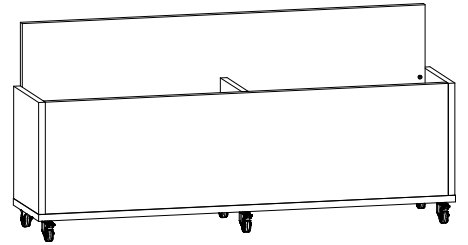
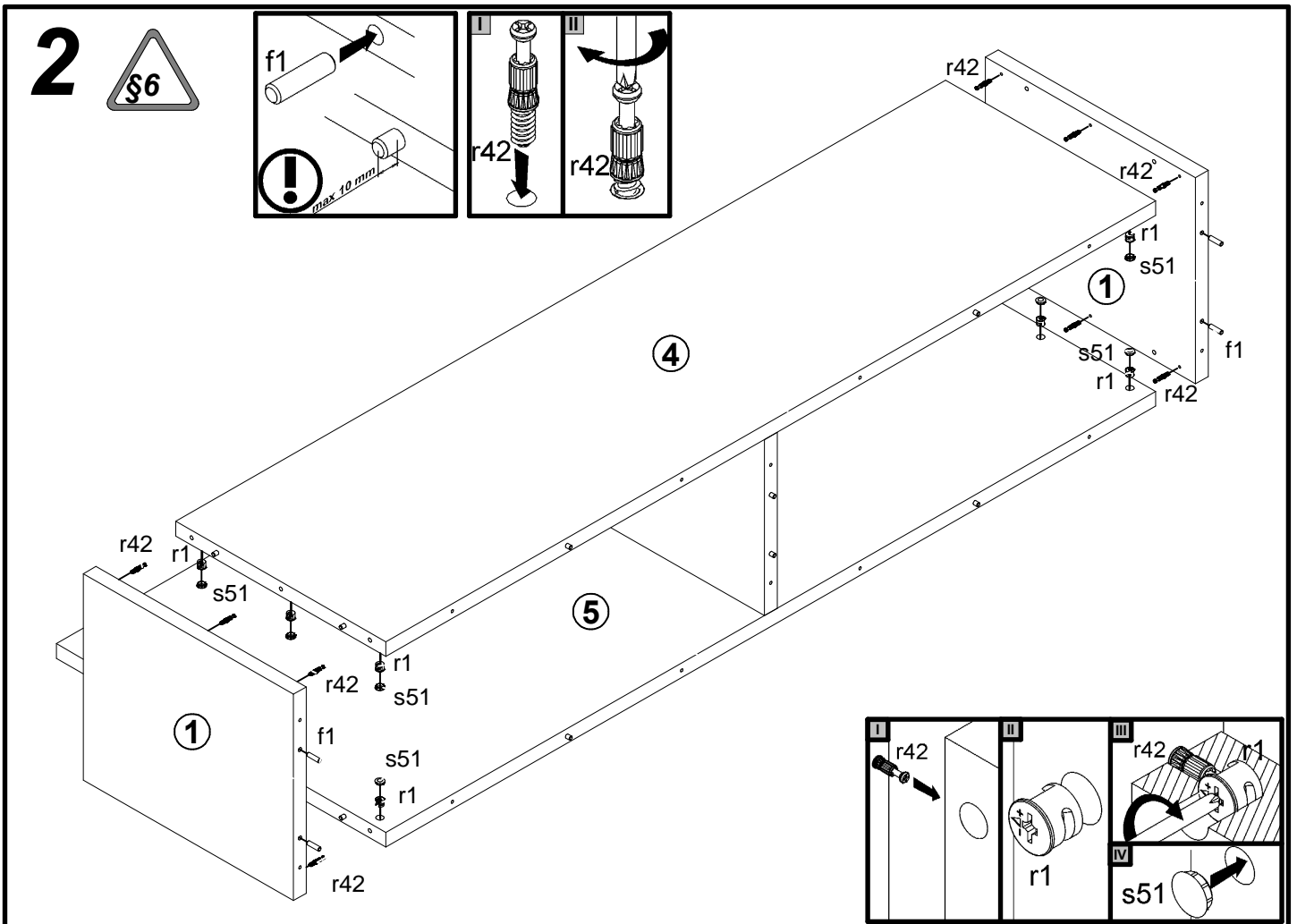
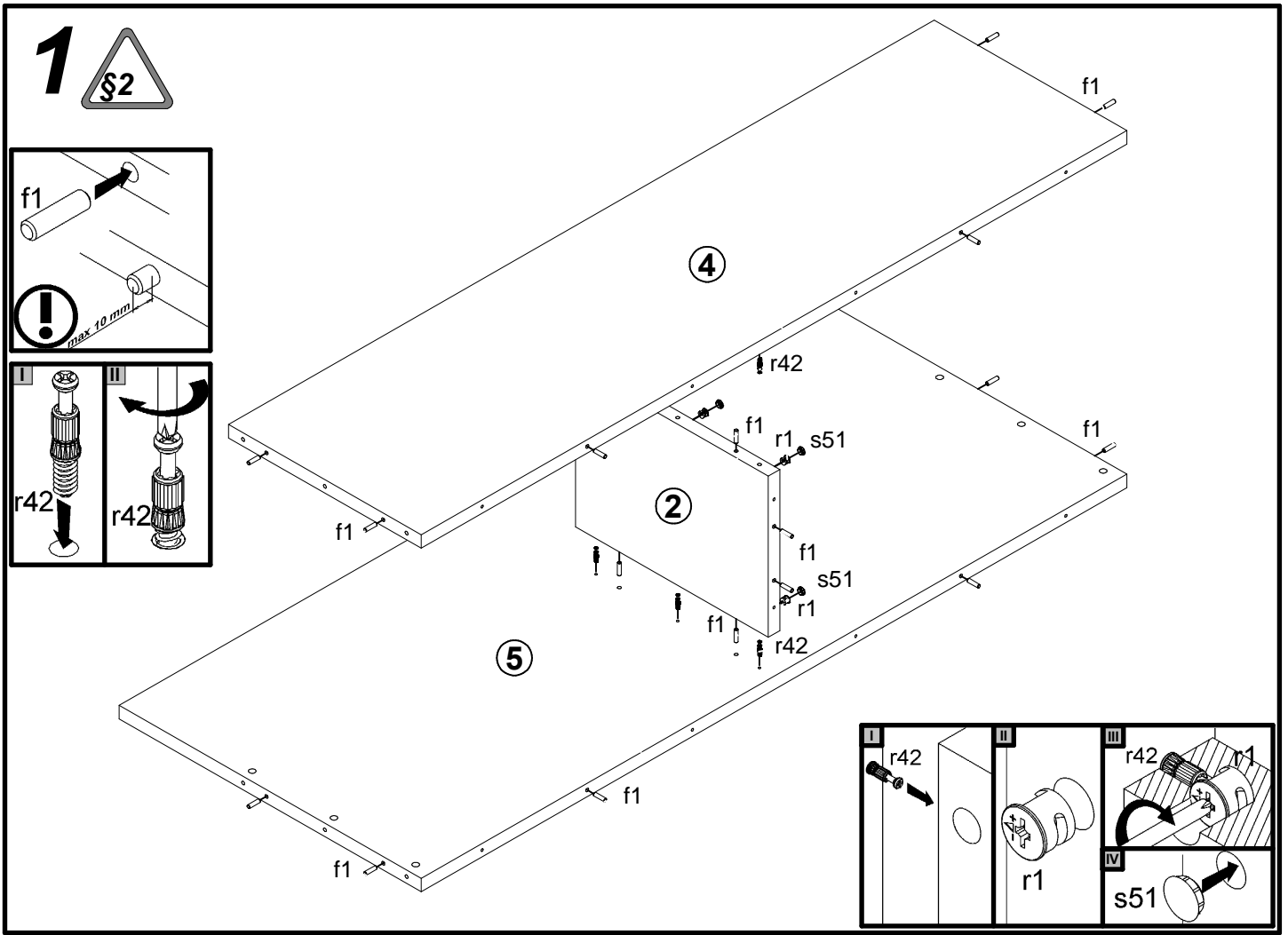
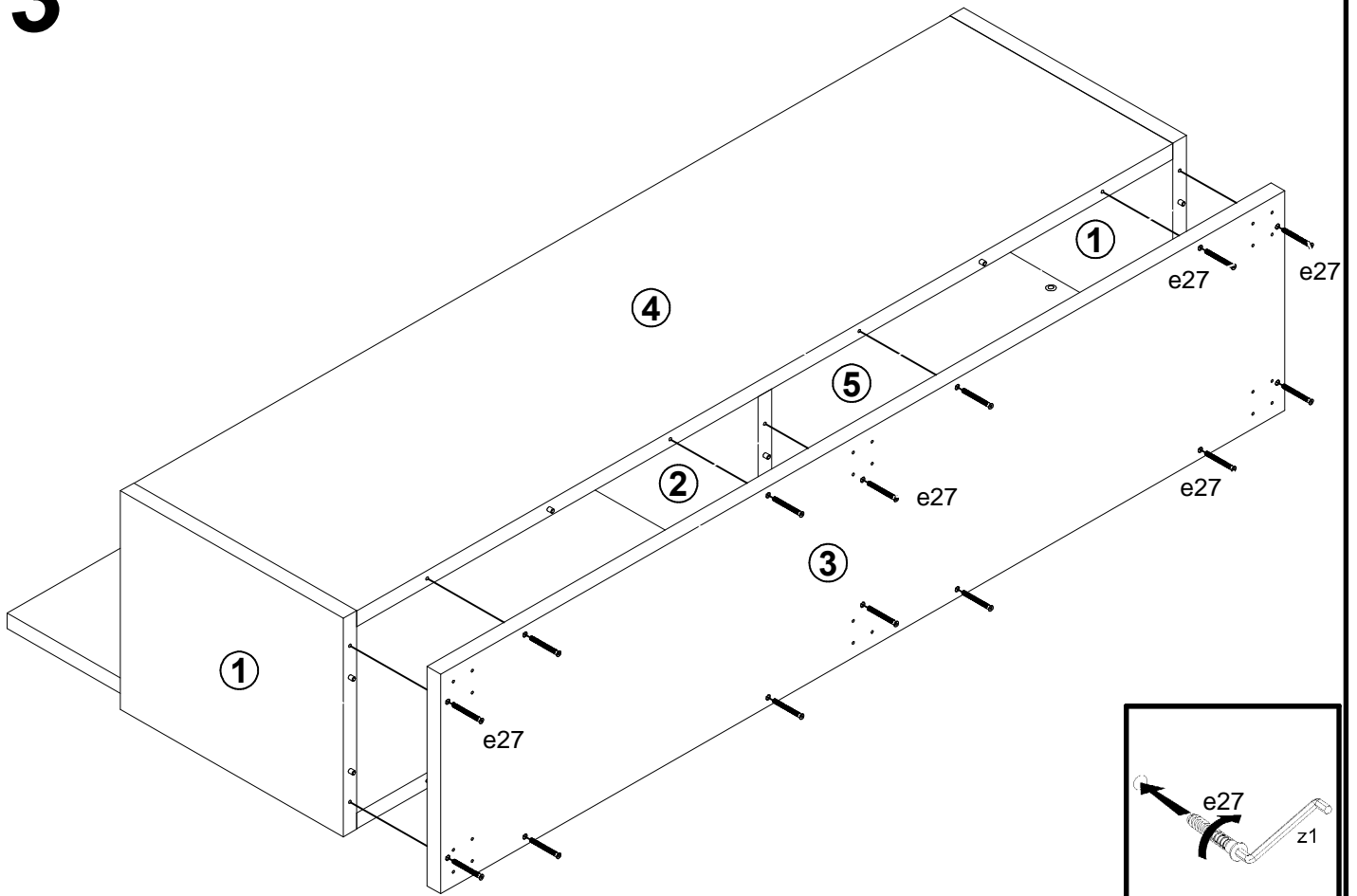


A	B	C		D
1	S79-125	528	448	1/3
2	S79-126	528	382	1/3
3	S79-223	2000	450	1/3
4	S79-411	528	1934	2/3
5	S79-412	828	1934	3/3





# 3



# 4

