

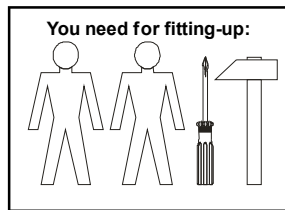
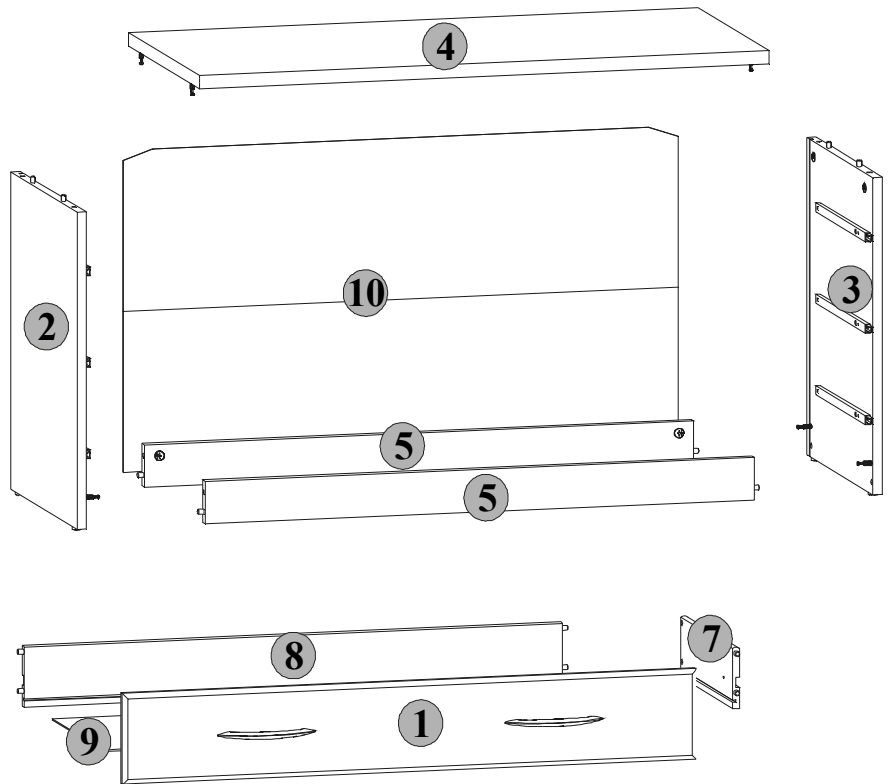
# THE ASSEMBLY MANUAL

**Attention:** Before you start the assembly, please get acquainted with the entire assembly manual and stick to the order of assembly presented in this manual.

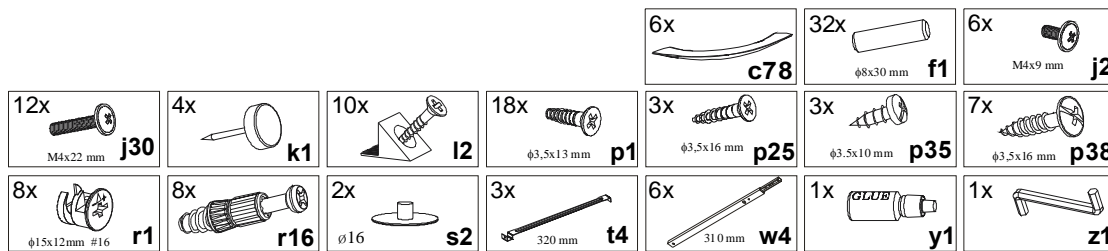
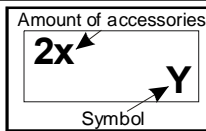
## TOLEDO RANGE

## Cupboard 3s

Element symbol	Measurements	Code	Paket
1	954x148	S44-017	1/1
2	524x417	S44-101	1/1
3	524x417	S44-102	1/1
4	960x447	S44-202	1/1
5	926x70	S44-403	1/1
6	320x100	S44-517	1/1
7	320x100	S44-518	1/1
8	895x100	S44-521	1/1
9	906x320	S44-904	1/1
10	936x527	S44-905	1/1

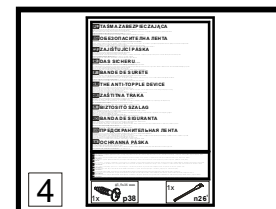
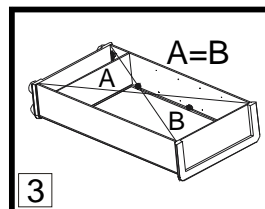
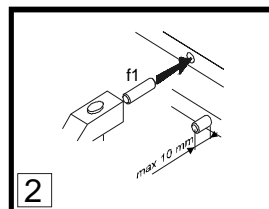
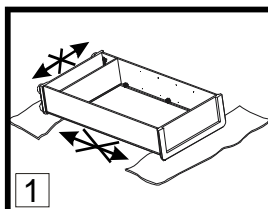


The symbols and the amount of accessories needed for the assembly have been presented below. The accessories can be found in the "Accessories" package.



### General instructions for furniture assembly

#### Attention



#### Attention:

1. During the assembly, the elements should be put on a soft and clean surface, e.g. a towel or a blanket. Do not assemble the piece on a carpet or floor covering, etc.  
 2. Drive f1 pegs into the holes (8 mm in diameter) located along the edges of each element (leave the holes for the eccentric connector pivot free). **Attention:** In case a peg in one of the holes protrudes more than 10 mm, it should be hammered down, exchanged or shortened because it may cause damage to the side of the piece of furniture during its assembly.

3. Before nailing a fiberboard, make sure that the diagonals are equal.

4. The anti-topple device. When assembling the furniture follow the instructions in the manual. Improper fixing of the piece of furniture may cause it to topple when it is used.

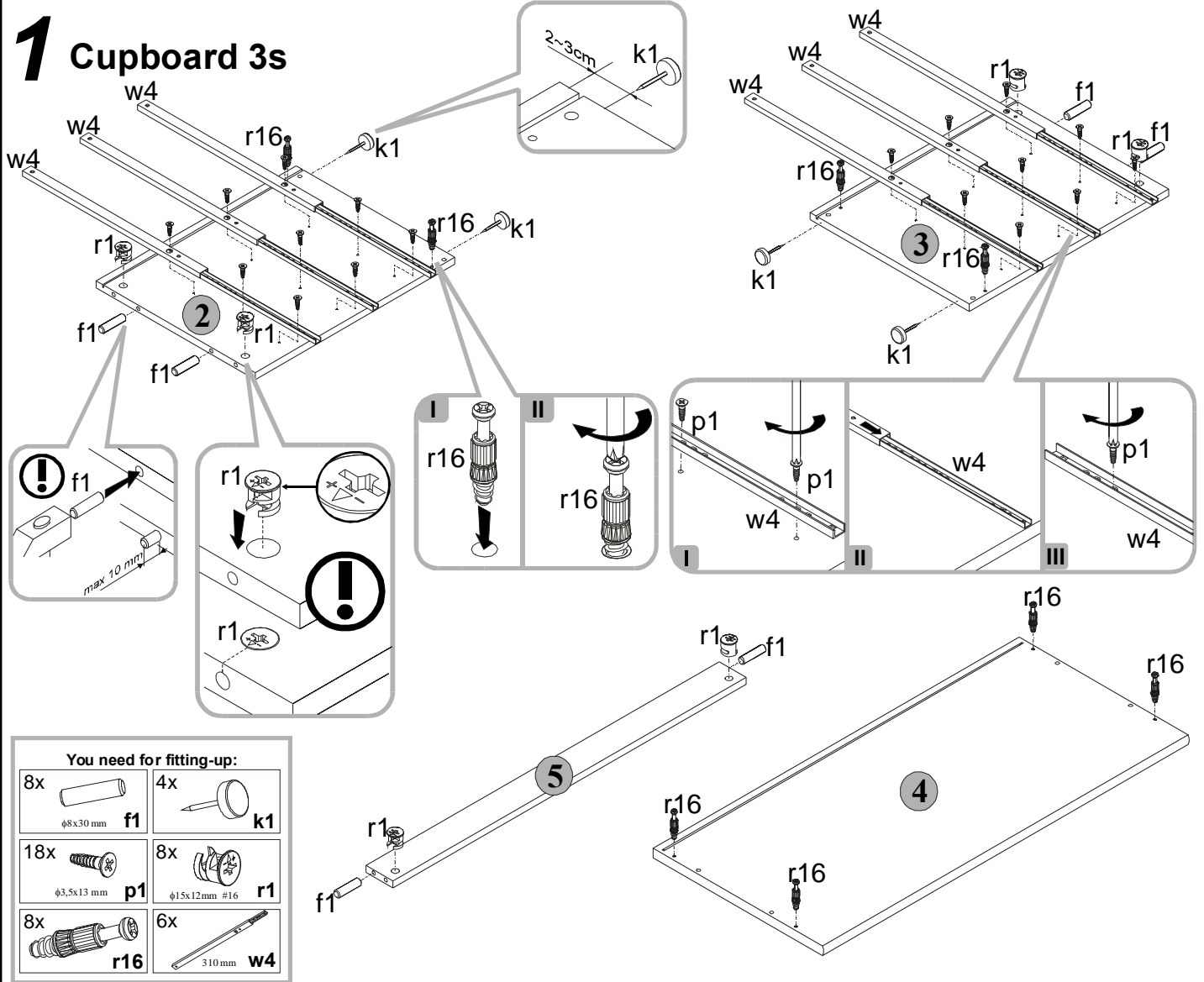
#### INFORMATION!

Dear client, in case of complaining, please use the code number given in the assembly instruction. Any comments and complaints should be reported at the furniture purchase outlet. **Note!** Do not use any parts showing any faults or marks of damage.



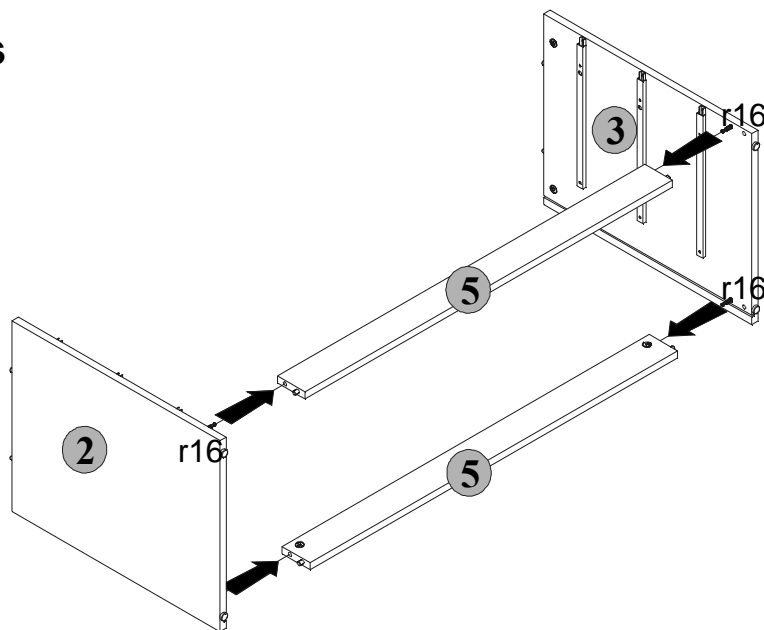
The first stage of the assembly is equipping the elements with the appropriate accessories according to the drawings below. The ⊕ symbols denote places to which special attention should be paid during the assembly.

# 1 Cupboard 3s



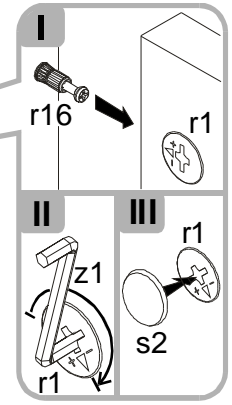
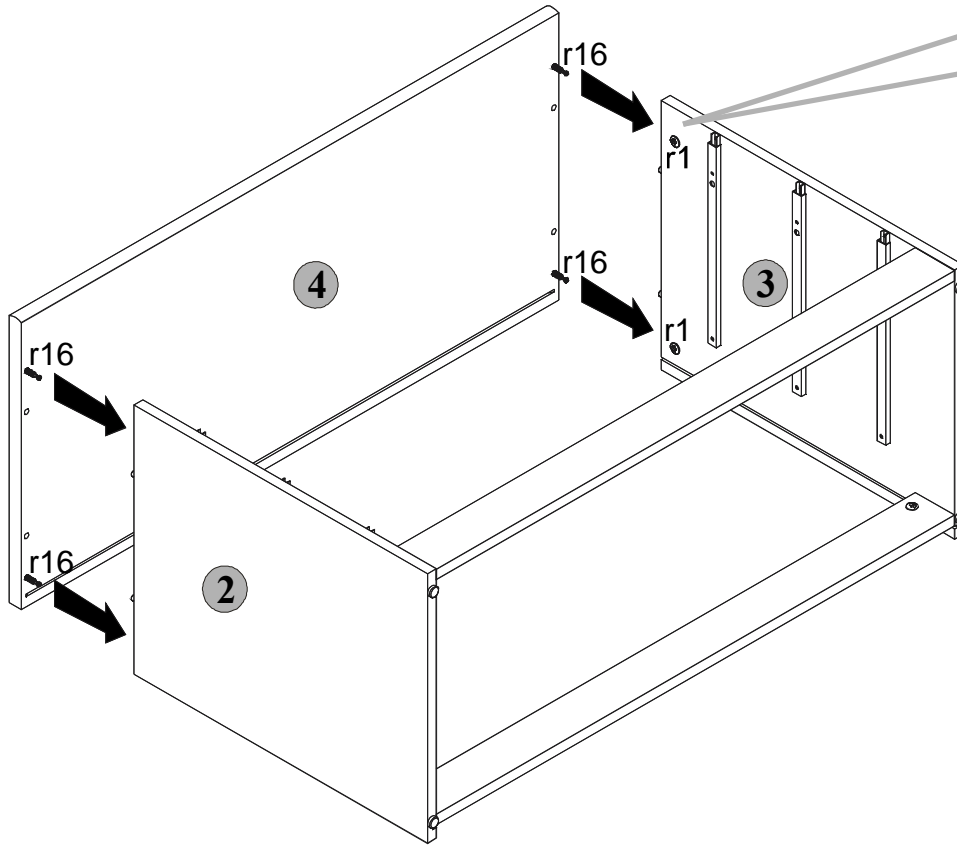
Assemble the unit as shown in the pictures using indicated connectors and/or joints.

# 2 Cupboard 3s



You need for fitting-up:	
1x	z1

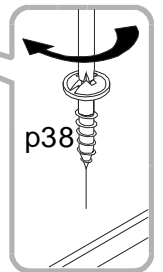
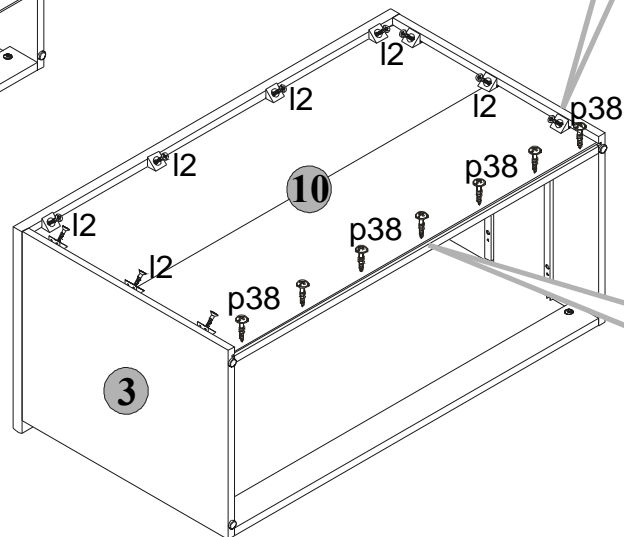
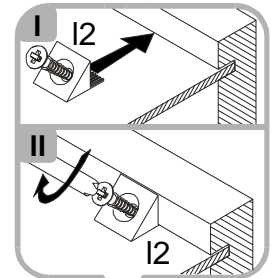
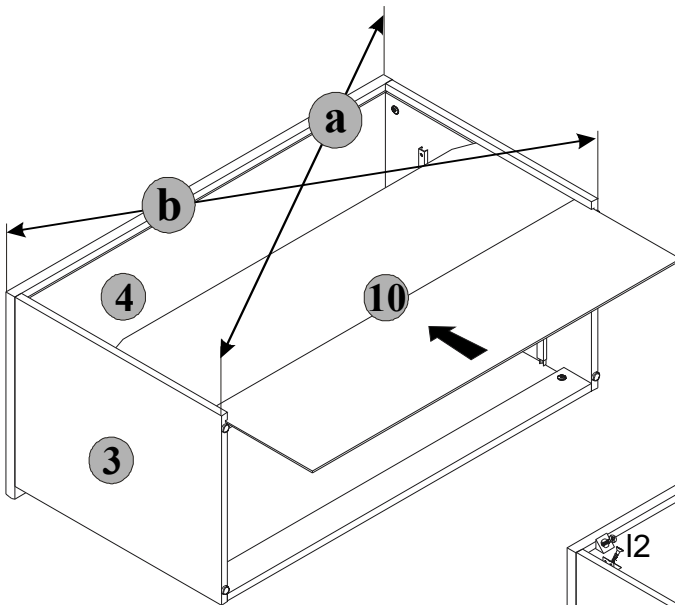
# 3 Cupboard 3s



You need for fitting-up:

2x		1x	
	ø16		s2
			z1

# 4 Cupboard 3s

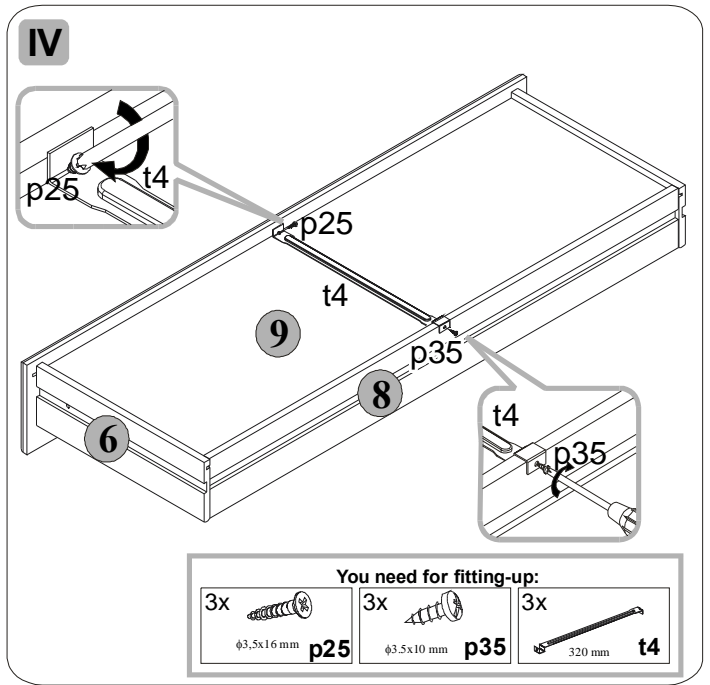
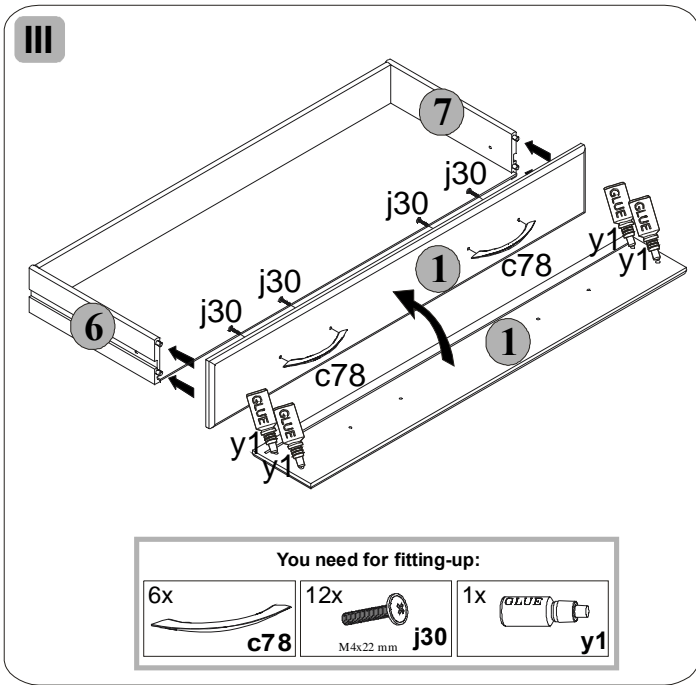
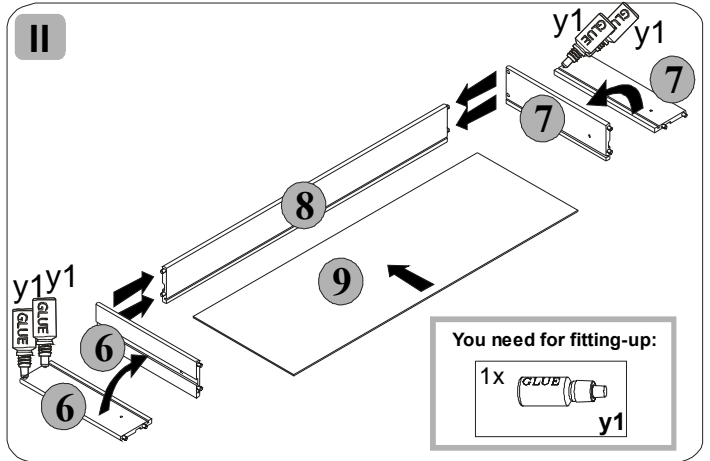
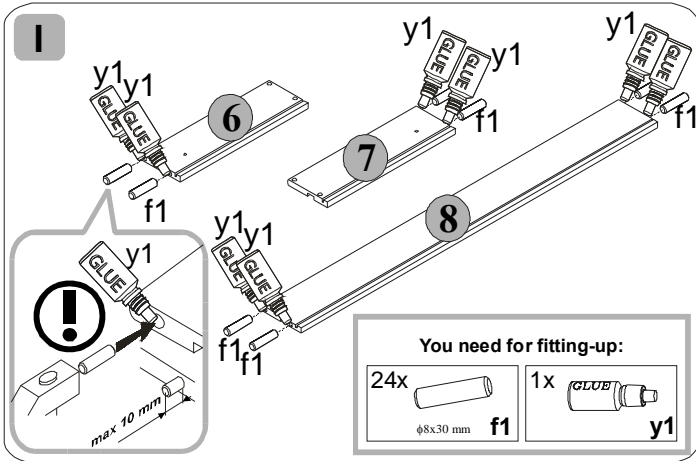


**a=b**

You need for fitting-up:

10x		7x	
	l2		φ3.5x16 mm p38

# 5 Cupboard 3s



# 6 Cupboard 3s

