

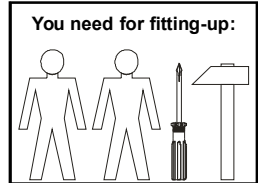
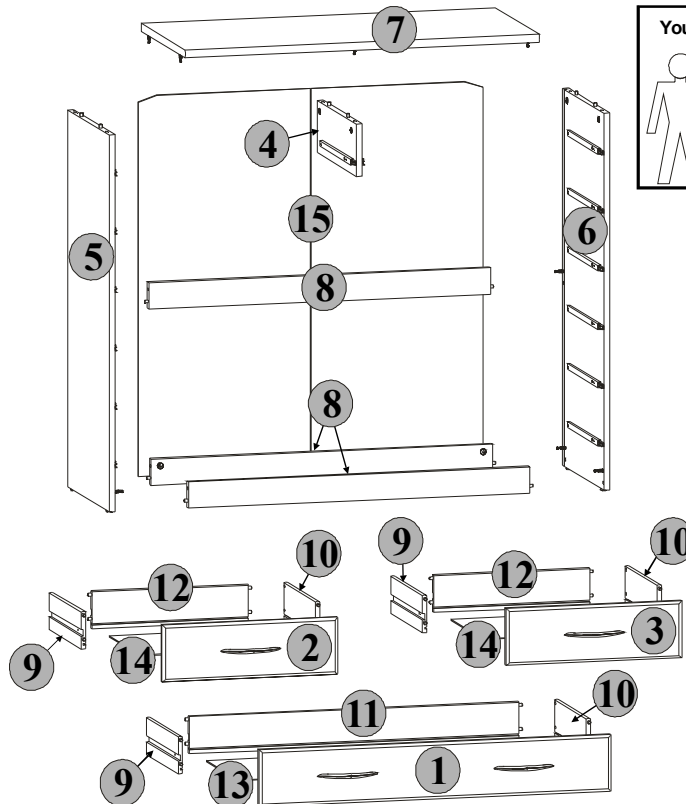
THE ASSEMBLY MANUAL

Attention: Before you start the assembly, please get acquainted with the entire assembly manual and stick to the order of assembly presented in this manual.

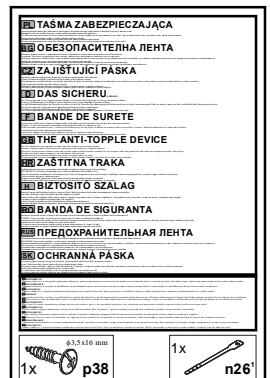
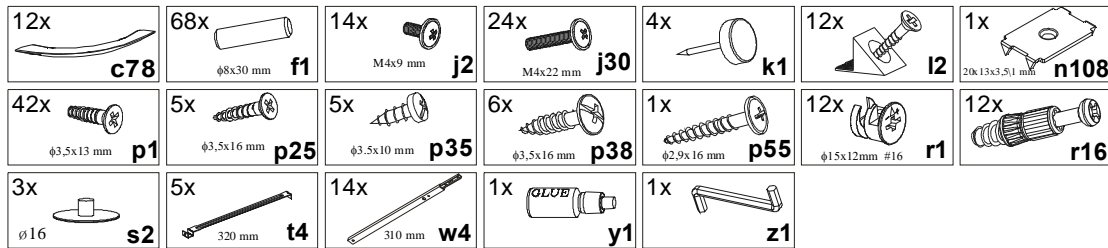
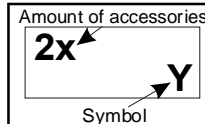
TOLEDO RANGE

Chest 7s

Symbol elementu Značka dílu Element symbol Jel elemek Symbol elementu	Wymiary Rozměry Measurements Nagyság Rozmery	Kód Kód Code Kód Kód	Paczka Krabica Paket Csomagban Balik
1	954x152	S44-002	2/2
2	476x152	S44-003	2/2
3	476x152	S44-004	2/2
4	139x397	S44-105	2/2
5	1001x417	S44-106	1/2
6	1001x417	S44-107	1/2
7	960x447	S44-203	1/2
8	926x70	S44-403	2/2
9	320x100	S44-517	2/2
10	320x100	S44-518	2/2
11	895x100	S44-521	2/2
12	424x100	S44-522	2/2
13	906x320	S44-904	1/2
14	435x320	S44-907	1/2
15	1007x935	S44-909	1/2

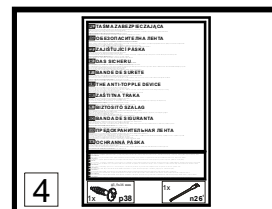
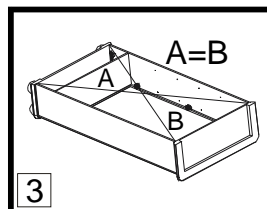
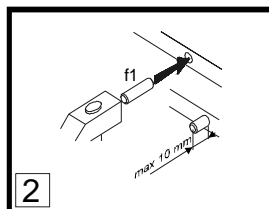
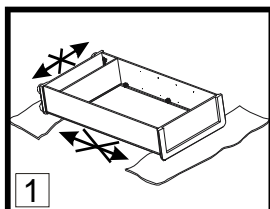


The symbols and the amount of accessories needed for the assembly have been presented below. The accessories can be found in the "Accessories" package.



General instructions for furniture assembly

Attention



Attention:

- During the assembly, the elements should be put on a soft and clean surface, e.g. a towel or a blanket. Do not assemble the piece on a carpet or floor covering, etc.
- Drive f1 pegs into the holes (8 mm in diameter) located along the edges of each element (leave the holes for the eccentric connector pivot free). **Attention:** In case a peg in one of the holes protrudes more than 10 mm, it should be hammered down, exchanged or shortened because it may cause damage to the side of the piece of furniture during its assembly.
- Before nailing a fiberboard, make sure that the diagonals are equal.
- The anti-topple device. When assembling the furniture follow the instructions in the manual. Improper fixing of the piece of furniture may cause it to topple when it is used.

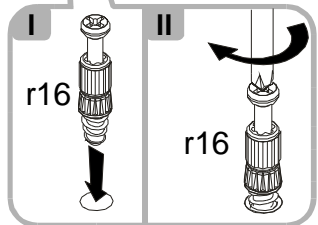
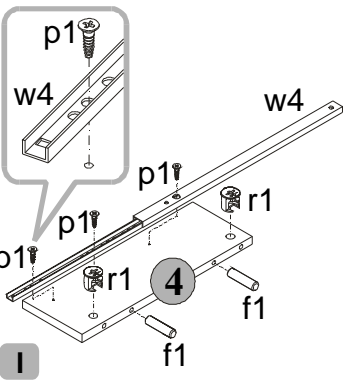
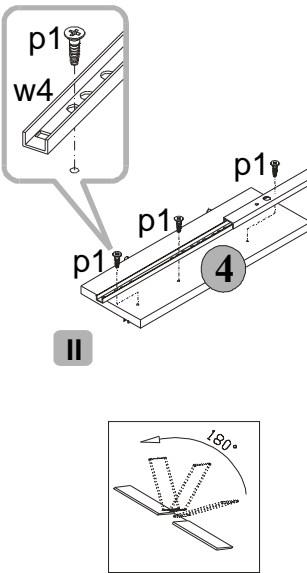
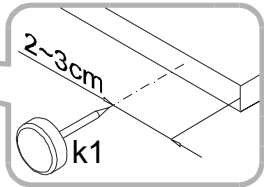
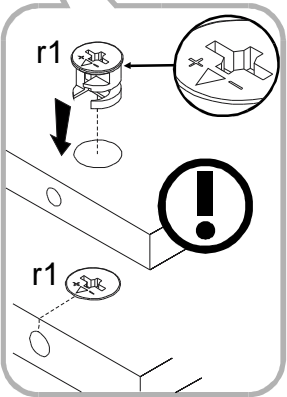
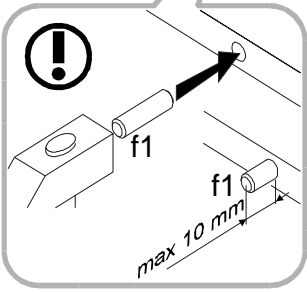
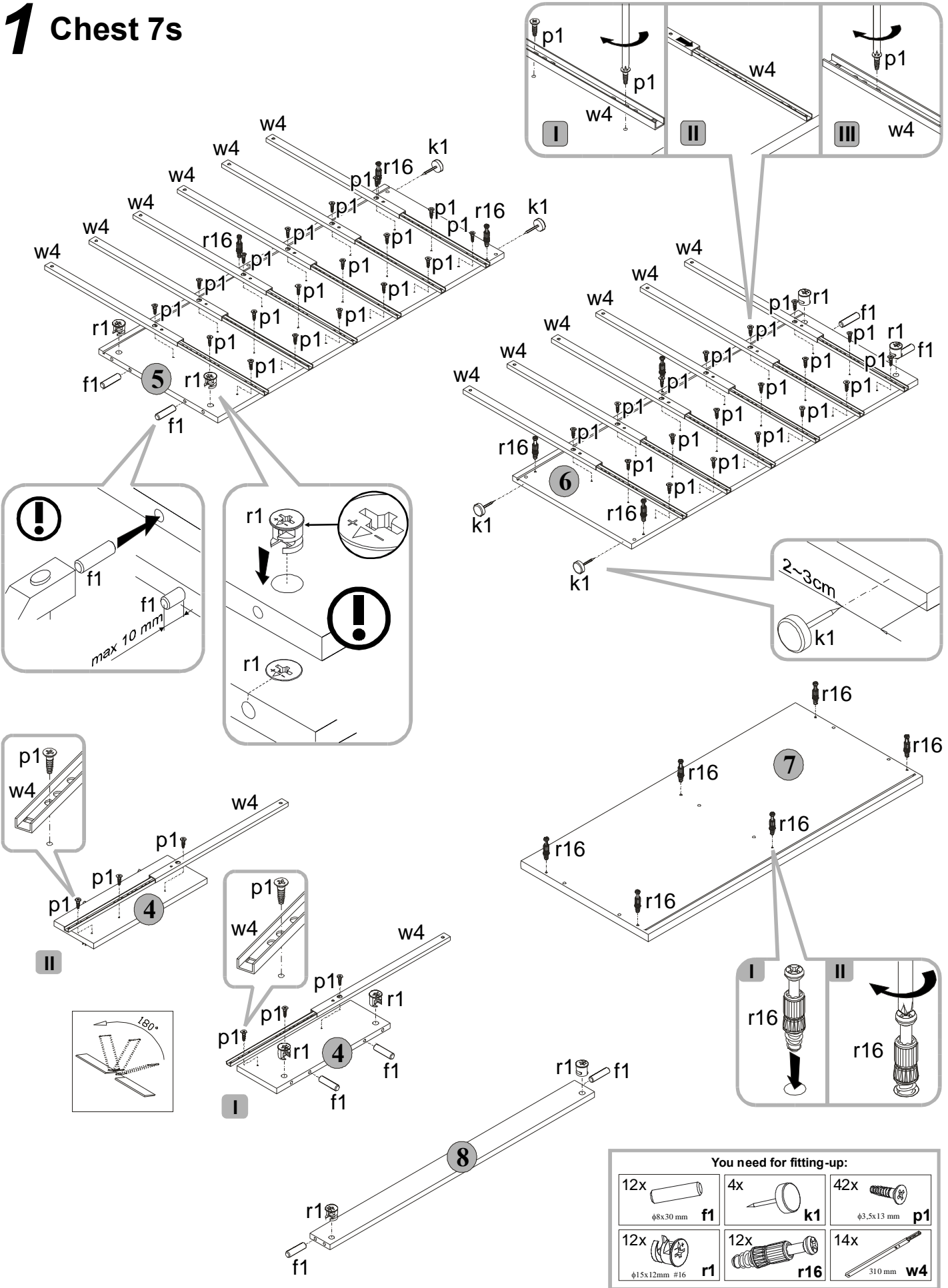
INFORMATION!

Dear client, in case of complaining, please use the code number given in the assembly instruction. Any comments and complaints should be reported at the furniture purchase outlet. **Note!** Do not use any parts showing any faults or marks of damage.



The first stage of the assembly is equipping the elements with the appropriate accessories according to the drawings below. The ⊕ symbols denote places to which special attention should be paid during the assembly.

1 Chest 7s



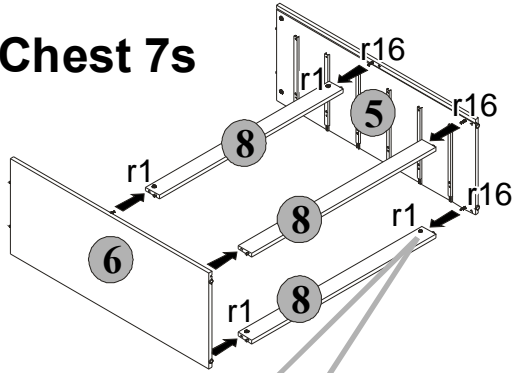
You need for fitting-up:

12x φ8x30 mm f1	4x k1	42x φ3,5x13 mm p1
12x φ15x12mm #16 r1	12x r16	14x 310 mm w4

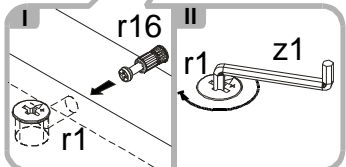


Assemble the unit as shown in the pictures using indicated connectors and/or joints.

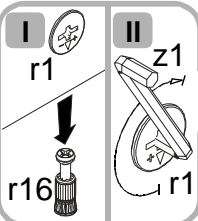
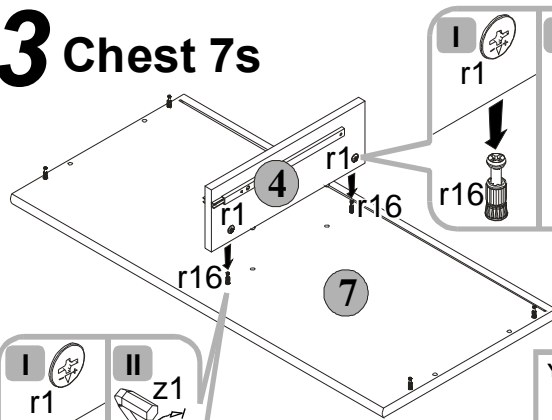
2 Chest 7s



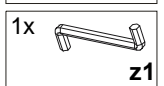
You need for fitting-up:



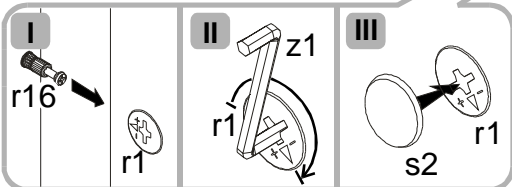
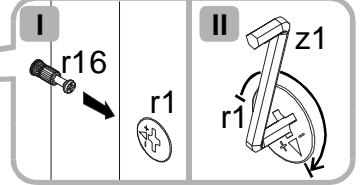
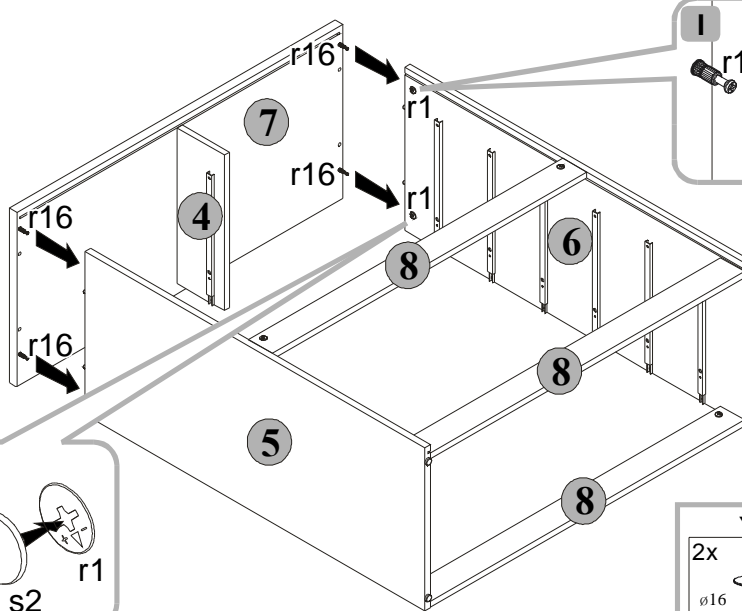
3 Chest 7s



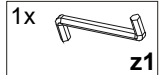
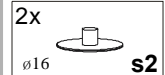
You need for fitting-up:



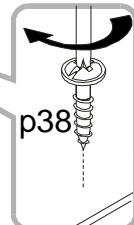
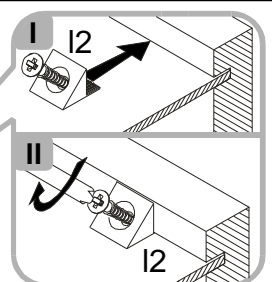
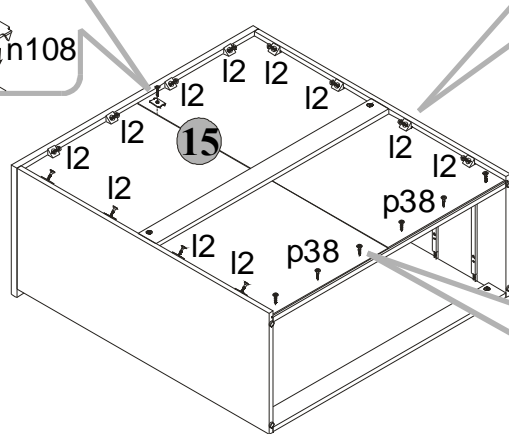
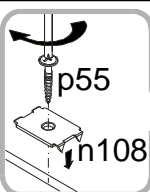
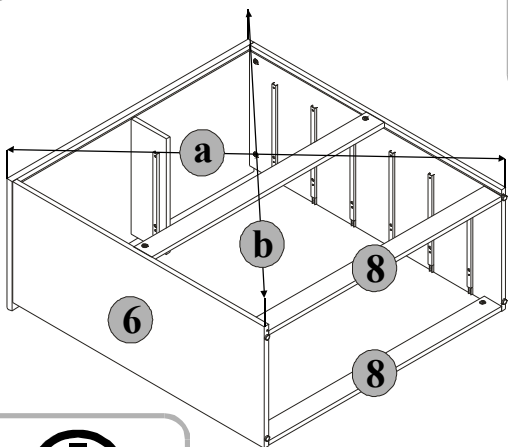
4 Chest 7s



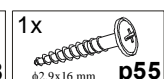
You need for fitting-up:



5 Chest 7s

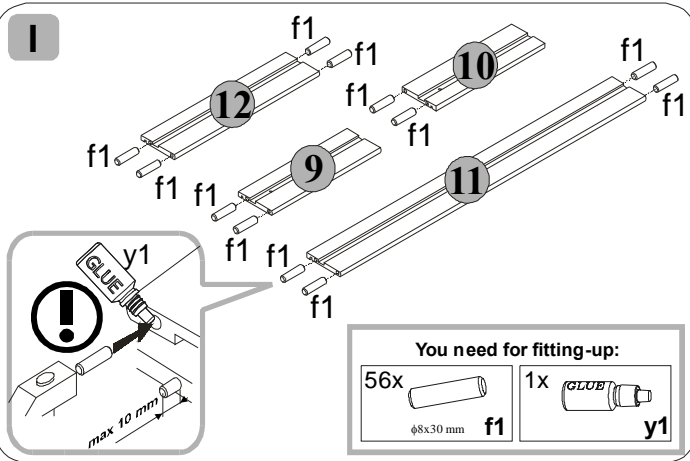


You need for fitting-up:



6 Chest 7s

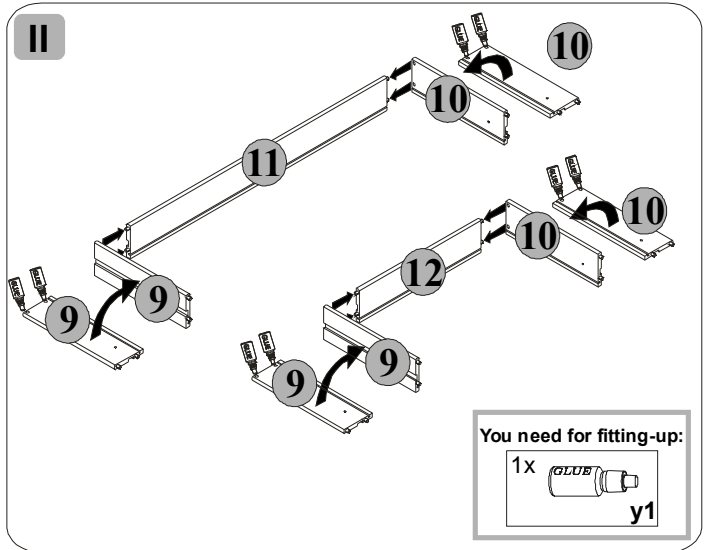
I



You need for fitting-up:

- 56x $\phi 8 \times 30$ mm f1
- 1x y1 (GLUE)

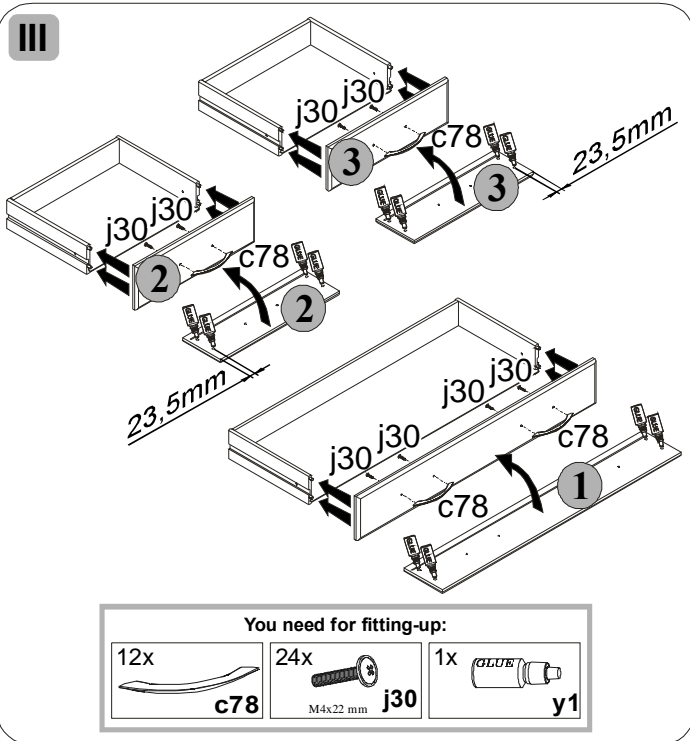
II



You need for fitting-up:

- 1x y1 (GLUE)

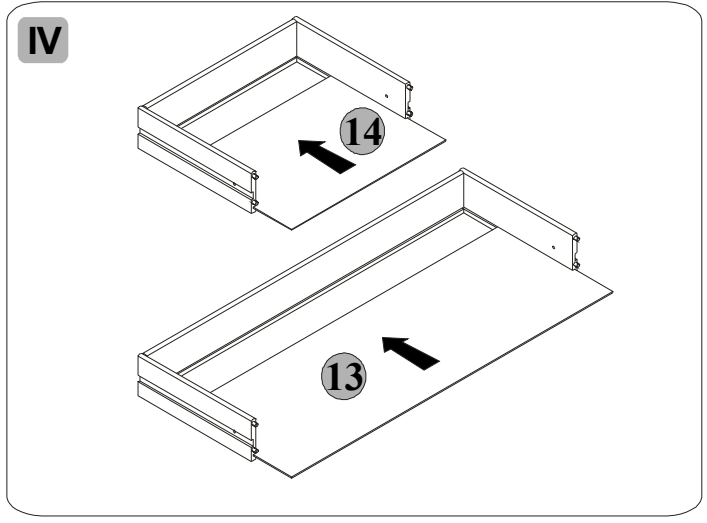
III



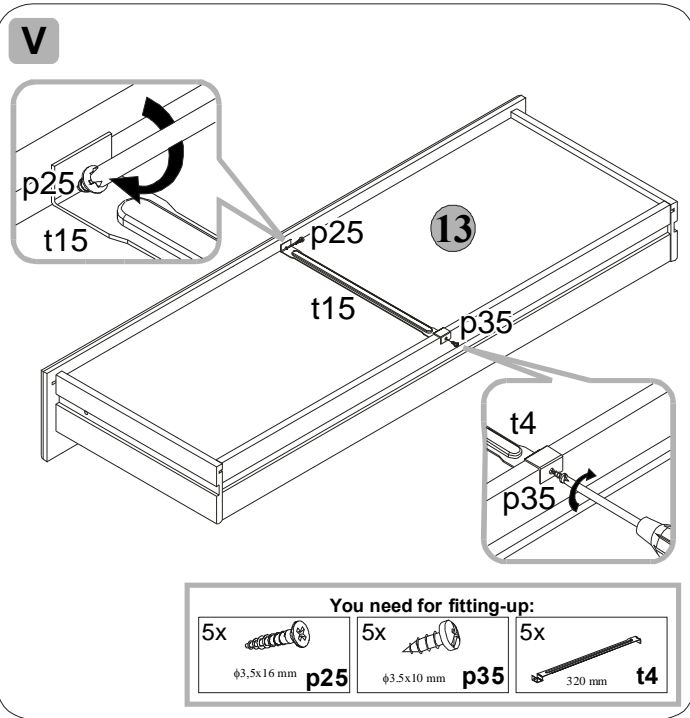
You need for fitting-up:

- 12x c78
- 24x M4x22 mm j30
- 1x y1 (GLUE)

IV



V



You need for fitting-up:

- 5x $\phi 3.5 \times 16$ mm p25
- 5x $\phi 3.5 \times 10$ mm p35
- 5x 320 mm t4

7 Chest 7s

You need for fitting-up:

- 14x M4x9 mm j2

