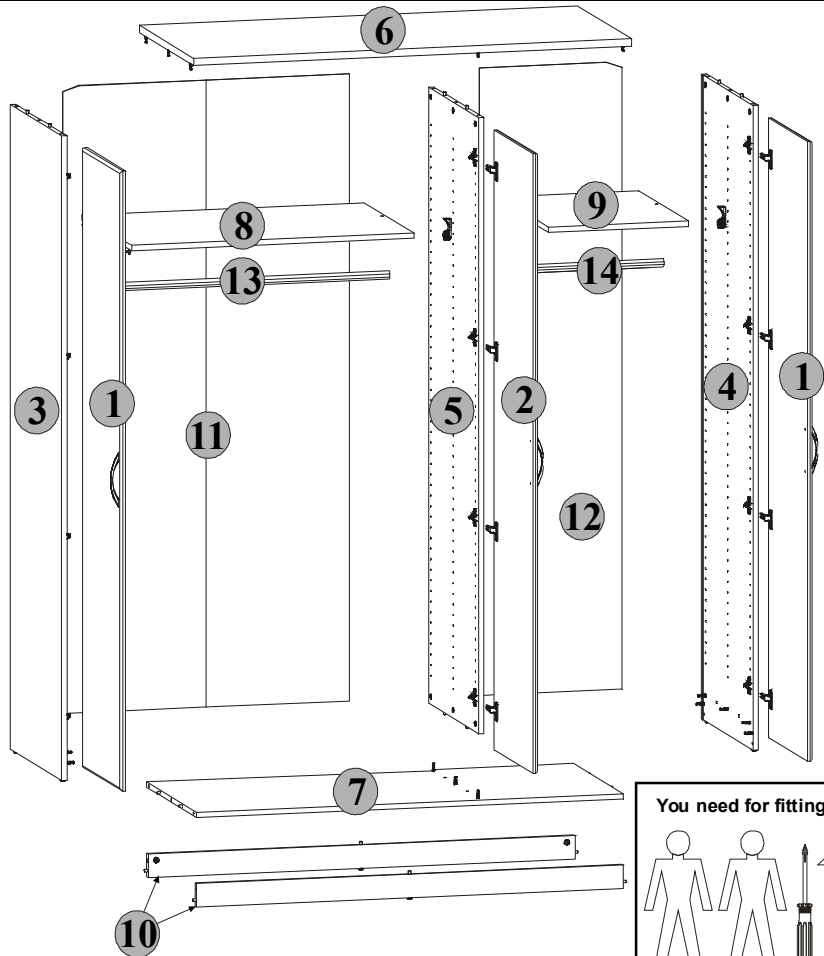
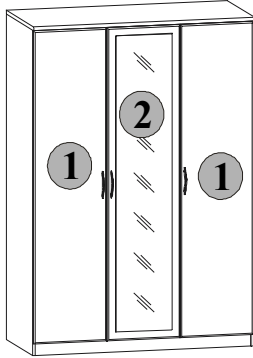


# THE ASSEMBLY MANUAL

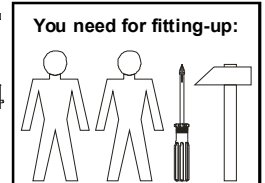
**Attention:** Before you start the assembly, please get acquainted with the entire assembly manual and stick to the order of assembly presented in this manual.

## TOLEDO RANGE

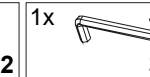
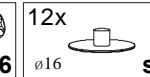
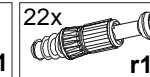
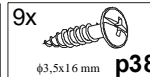
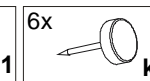
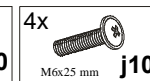
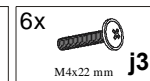
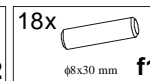
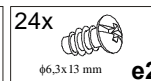
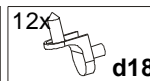
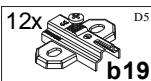
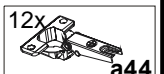
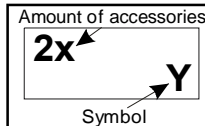
## Wardrobe 3d



Element symbol	Measurements	Code	Paket
1	1873x446	S44-021	4/4
2	1873x446	S44-024	3/4
3	1948x595	S44-115	1/4
4	1948x595	S44-116	1/4
5	1862x575	S44-124	1/4
6	1351x625	S44-211	2/4
7	1317x575	S44-313	2/4
8	870x574	S44-314	2/4
9	431x574	S44-316	2/4
10	1317x70	S44-411	2/4
11	1891x883	S44-916	1/4
12	1891x443	S44-917	1/4
13	857x24	dr-857	2/4
14	418x24	dr-418	2/4

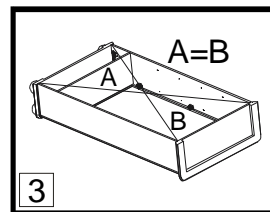
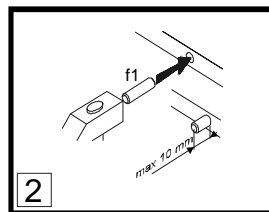
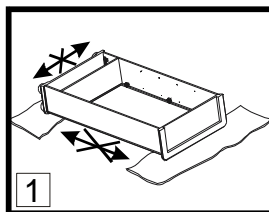


The symbols and the amount of accessories needed for the assembly have been presented below. The accessories can be found in the "Accessories" package.



### General instructions for furniture assembly

#### Attention



#### Attention:

1. During the assembly, the elements should be put on a soft and clean surface, e.g. a towel or a blanket. Do not assemble the piece on a carpet or floor covering, etc.
2. Drive *f1* pegs into the holes (8 mm in diameter) located along the edges of each element (leave the holes for the eccentric connector pivot free). **Attention:** In case a peg in one of the holes protrudes more than 10 mm, it should be hammered down, exchanged or shortened because it may cause damage to the side of the piece of furniture during its assembly.

3. Before nailing a fiberboard, make sure that the diagonals are equal.

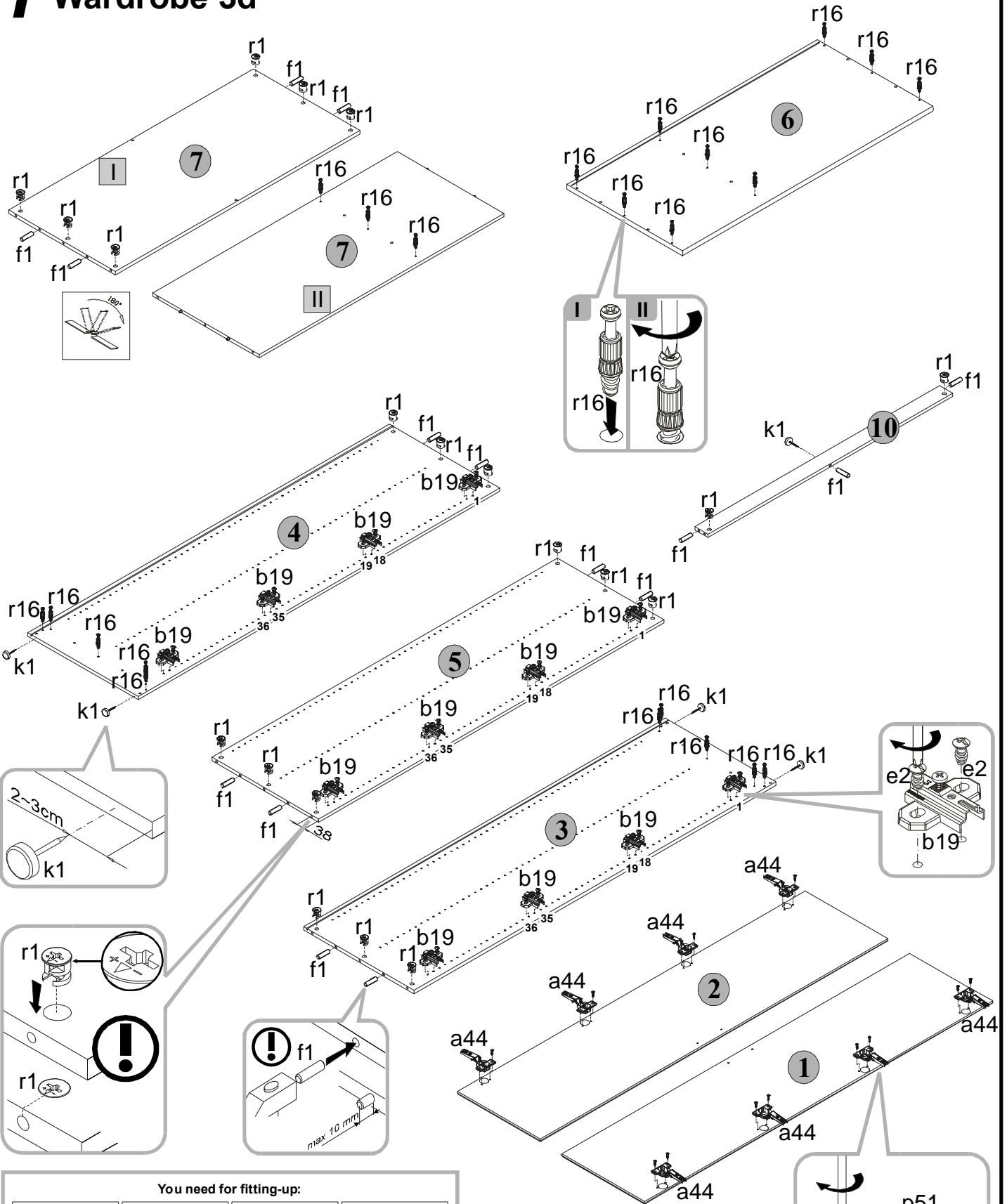
#### INFORMATION!

Dear client, in case of complaining, please use the code number given in the assembly instruction. Any comments and complaints should be reported at the furniture purchase outlet. **Note!** Do not use any parts showing any faults or marks of damage.



The first stage of the assembly is equipping the elements with the appropriate accessories according to the drawings below. The ⊕ symbols denote places to which special attention should be paid during the assembly.

# 1 Wardrobe 3d



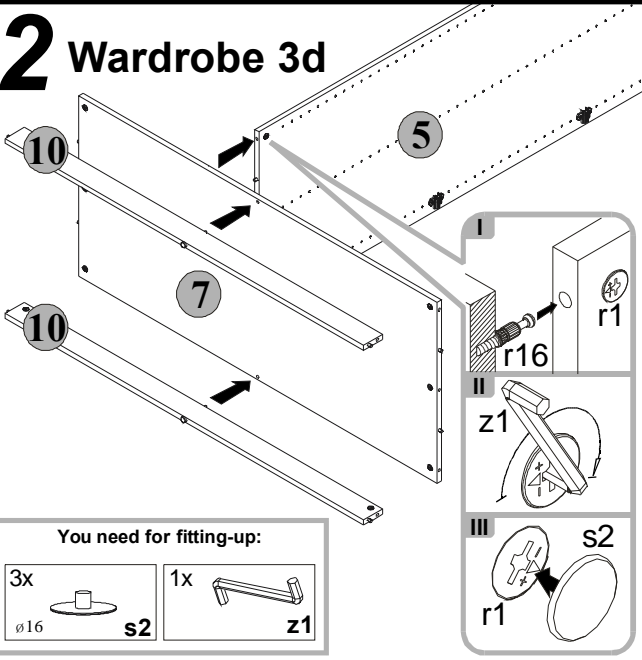
**You need for fitting-up:**

12x  a44	12x  b19	24x  e2 φ6.3x13 mm	18x  f1 φ8x30 mm
6x  k1	24x  p51 φ3.5x15 mm	22x  r1 φ15x12mm #16	22x  r16

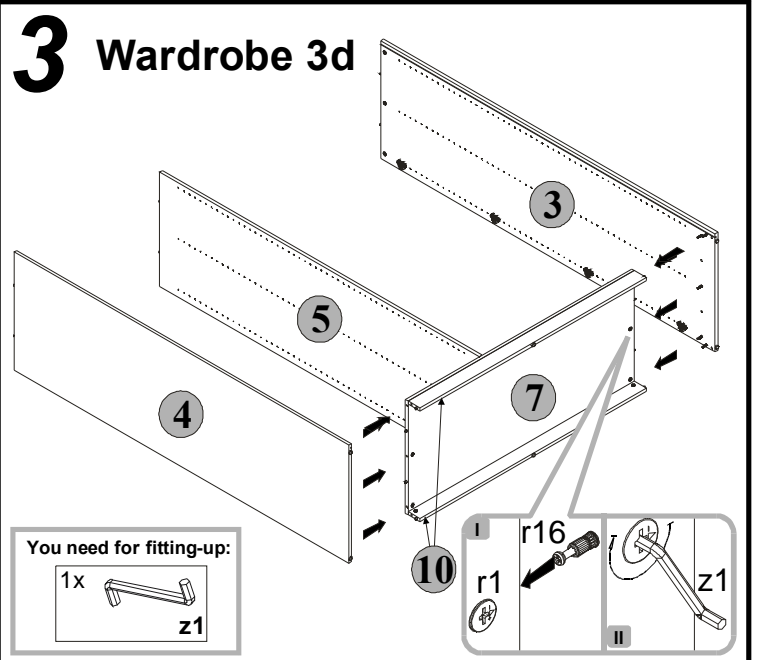


Assemble the unit as shown in the pictures using indicated connectors and/or joints.

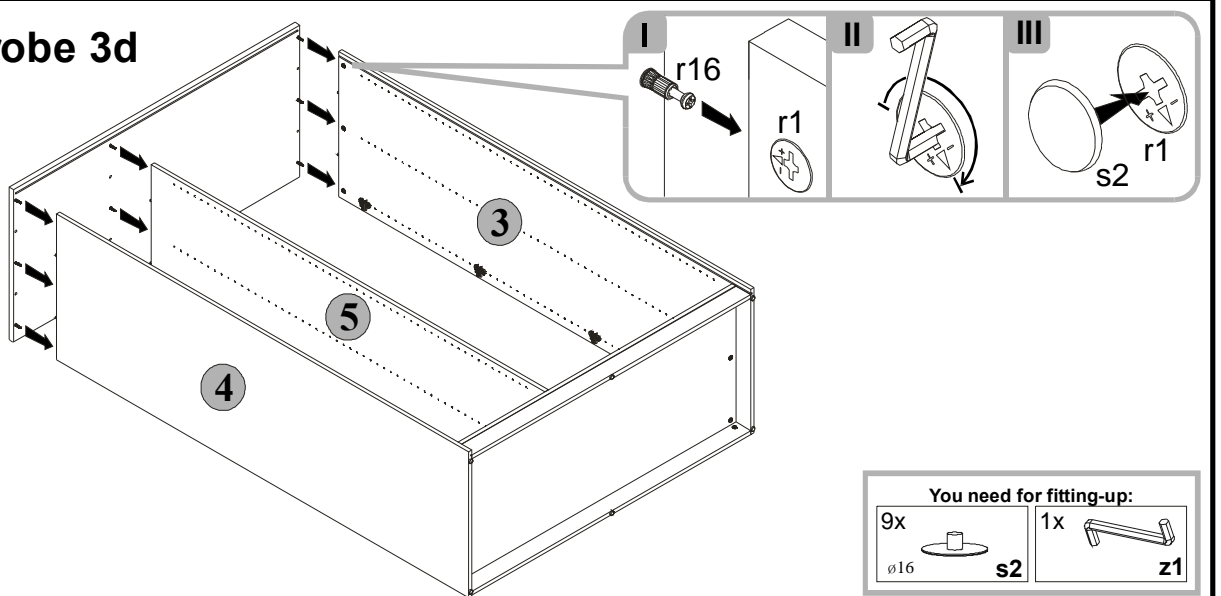
## 2 Wardrobe 3d



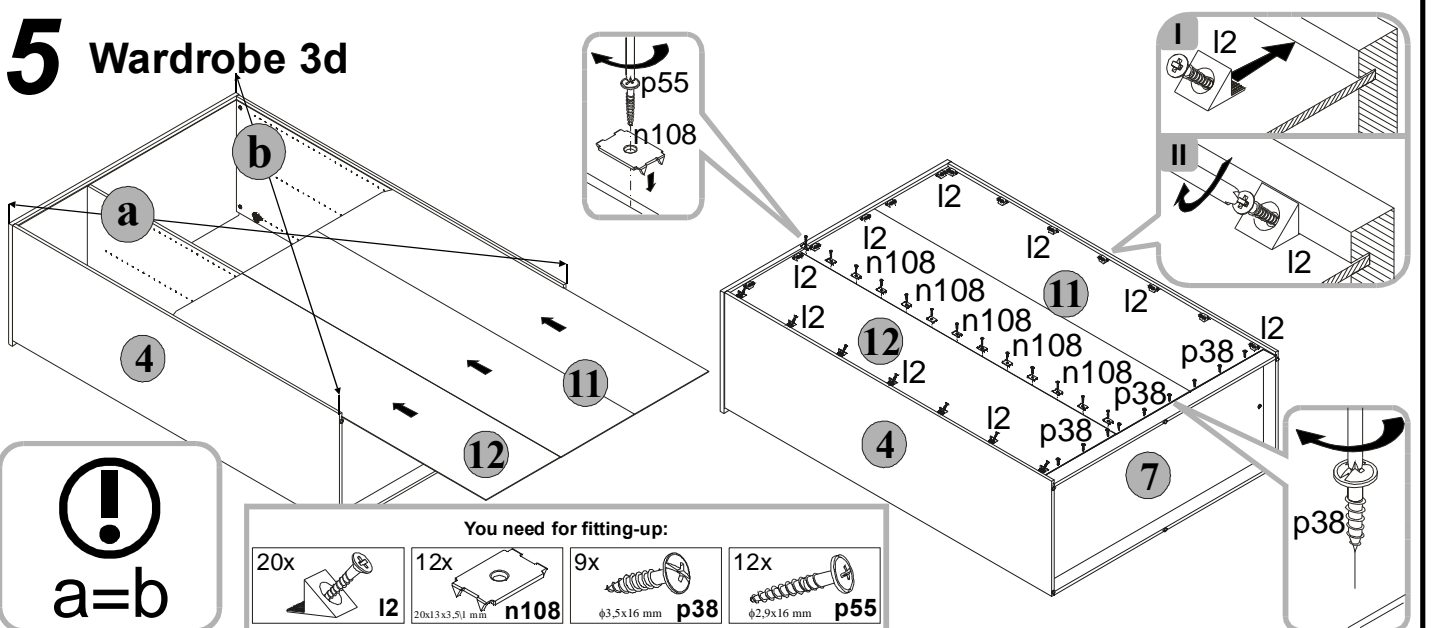
## 3 Wardrobe 3d



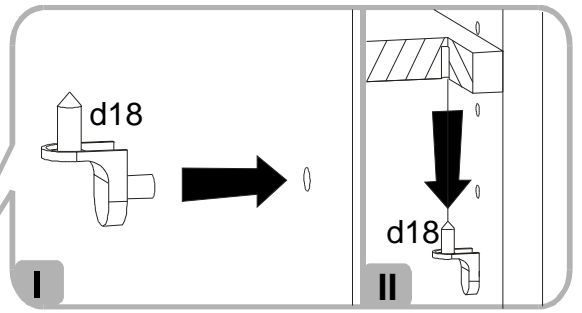
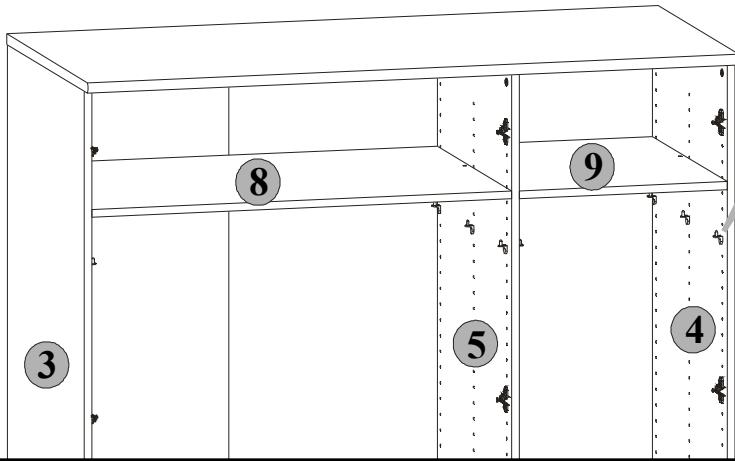
## 4 Wardrobe 3d



## 5 Wardrobe 3d

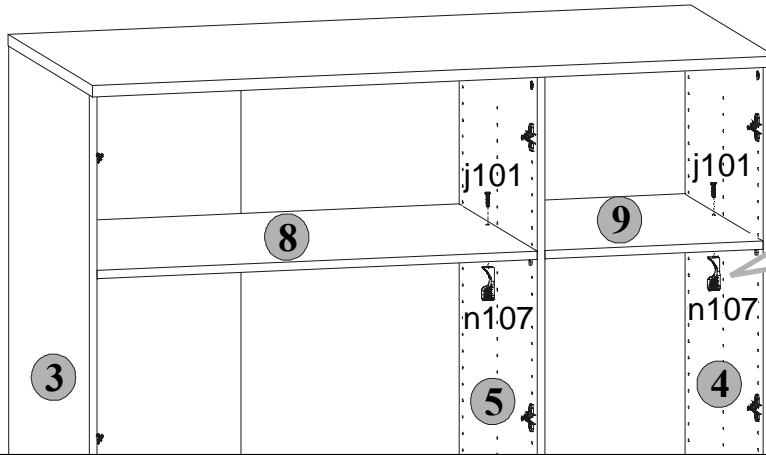


# 6 Wardrobe 3d

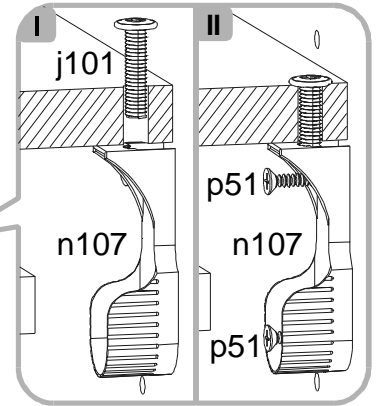


You need for fitting-up:  
 12x d18

# 7 Wardrobe 3d

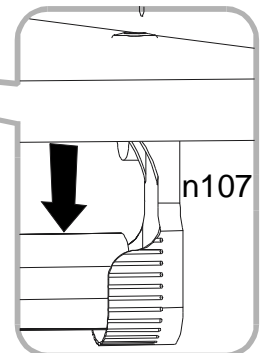
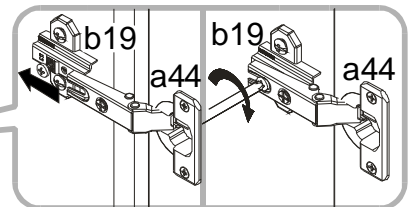
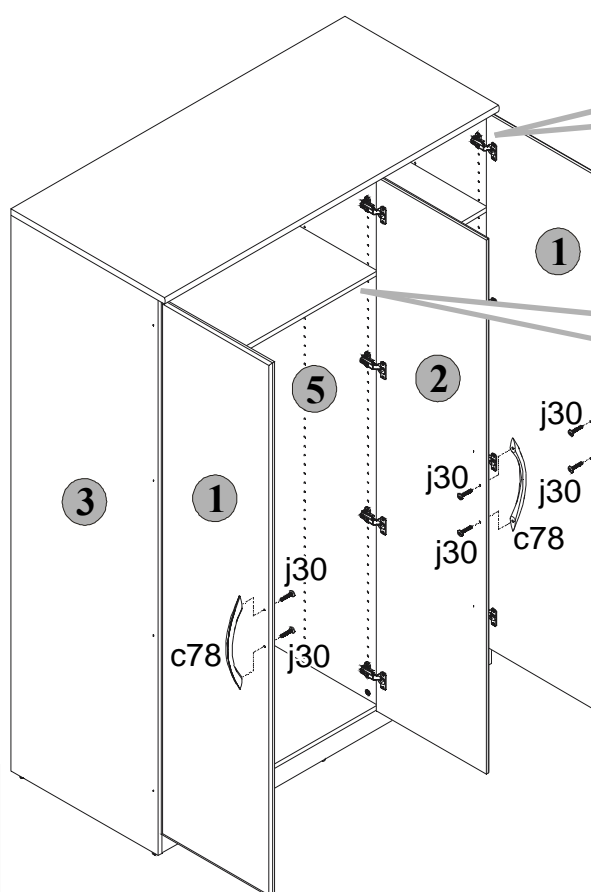
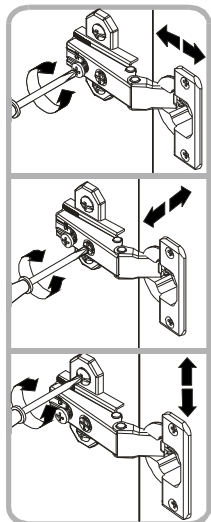


You need for fitting-up:  
 4x M6x25 mm j101  
 4x n107  
 8x  $\phi 3,5 \times 1,5$  mm p51



# 8 Wardrobe 3d

Adjustment of door



You need for fitting-up:  
 6x M4x22 mm j30  
 3x c78