

THE ASSEMBLY MANUAL,

Attention: Before you start the assembly, please get acquainted with the entire assembly manual and stick to the order of assembly presented in this manual.

TOLEDO RANGE Wardrobe 3d3s

Element symbol	Measurements	Code	Paket
1	446x184	S44-010	4/4
2	1873x446	S44-021	4/4
3	1311x446	S44-022	3/4
4	1948x595	S44-115	1/4
5	1948x595	S44-116	1/4
6	531x575	S44-118	2/4
7	1862x575	S44-125	1/4
8	1351x625	S44-211	2/4
9	870x574	S44-314	2/4
10	431x574	S44-316	2/4
11	1317x575	S44-317	2/4
12	440x575	S44-319	2/4
13	1317x70	S44-411	4/4
14	1376x100	S44-515	2/4
15	402x481	S44-915	2/4
16	1891x883	S44-916	1/4
17	1891x443	S44-917	1/4
18	857x24	dr-857	2/4
19	418x24	dr-418	2/4

You need for fitting-up:

§1 The symbols and the amount of accessories needed for the assembly have been presented below. The accessories can be found in the "Accessories" package.

6x c78	12x d18	22x e2 φ6,3x13 mm	36x f1 φ8x30 mm	6x j2 M4x9 mm	12x j30 M4x22 mm	4x j101 M6x25 mm
6x k1	20x l2	4x n107	15x n108 20x13x3,51 mm	18x p1 φ3,5x13 mm	12x p38 φ3,5x16 mm	30x p51 φ3,5x15 mm
15x p55 φ2,9x16 mm	31x r1 φ15x12mm #16	31x r16	10x s2 φ16	6x w4 310 mm	1x y1	1x z1

Amount of accessories

2x

Symbol

General instructions for furniture assembly

Attention

1

2

3

Attention:

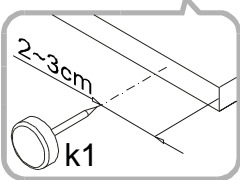
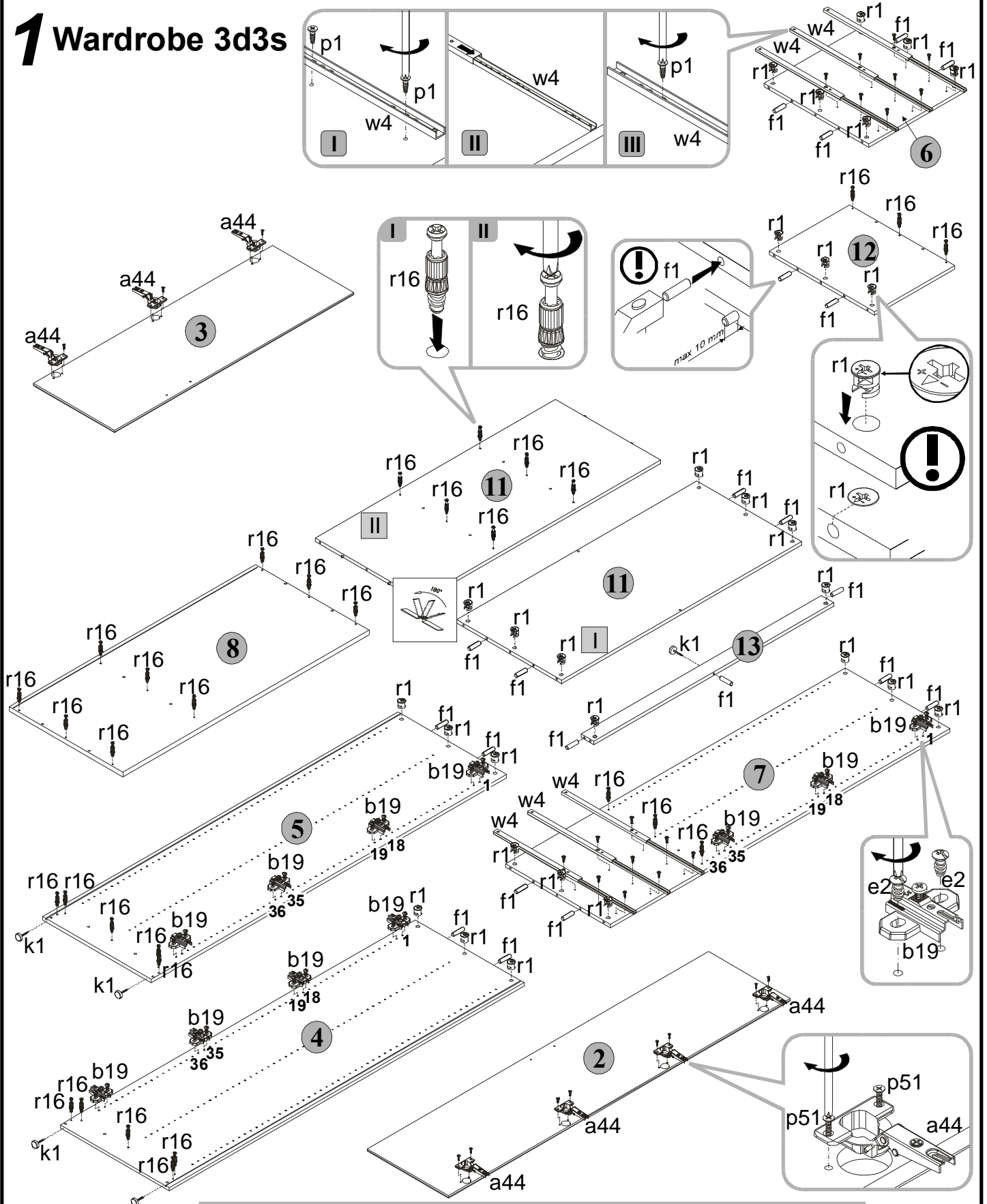
- During the assembly, the elements should be put on a soft and clean surface, e.g. a towel or a blanket. Do not assemble the piece on a carpet or floor covering, etc.
- Drive *f1* pegs into the holes (8 mm in diameter) located along the edges of each element (leave the holes for the eccentric connector pivot free). **Attention:** In case a peg in one of the holes protrudes more than 10 mm, it should be hammered down, exchanged or shortened because it may cause damage to the side of the piece of furniture during its assembly.
- Before nailing a fiberboard, make sure that the diagonals are equal.

INFORMATION!
Dear client, in case of complaining, please use the code number given in the assembly instruction. Any comments and complaints should be reported at the furniture purchase outlet. **Note!** Do not use any parts showing any faults or marks of damage.



The first stage of the assembly is equipping the elements with the appropriate accessories according to the drawings below. The Ⓞ symbols denote places to which special attention should be paid during the assembly.

1 Wardrobe 3d3s



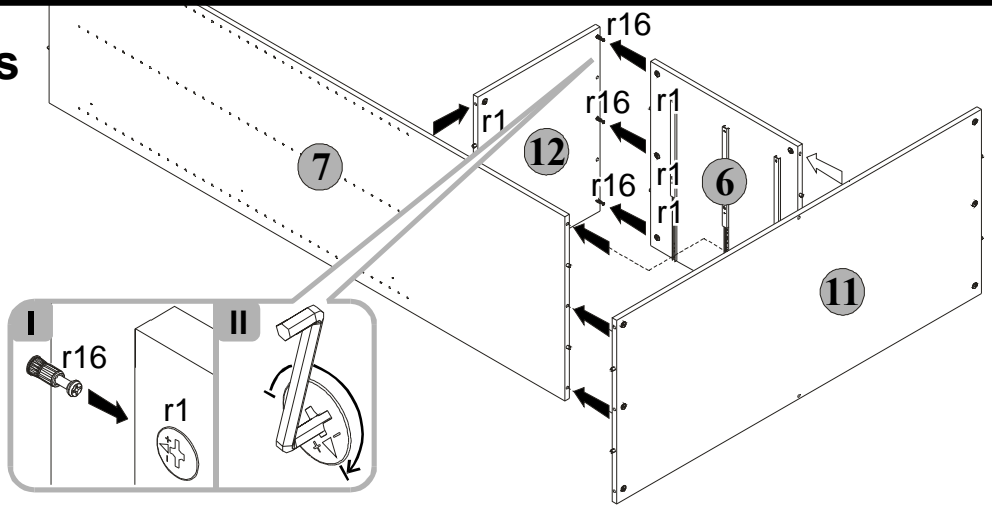
You need for fitting-up:

11x a44	11x b19	22x e2 φ6,3x13 mm	24x f1 φ8x30 mm
31x r1 φ15x12mm #16	31x r16	6x k1	18x p1 φ3,5x13 mm
		22x p51 φ3,5x15 mm	6x w4 310 mm

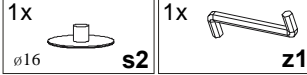


Assemble the unit as shown in the pictures using indicated connectors and/or joints.

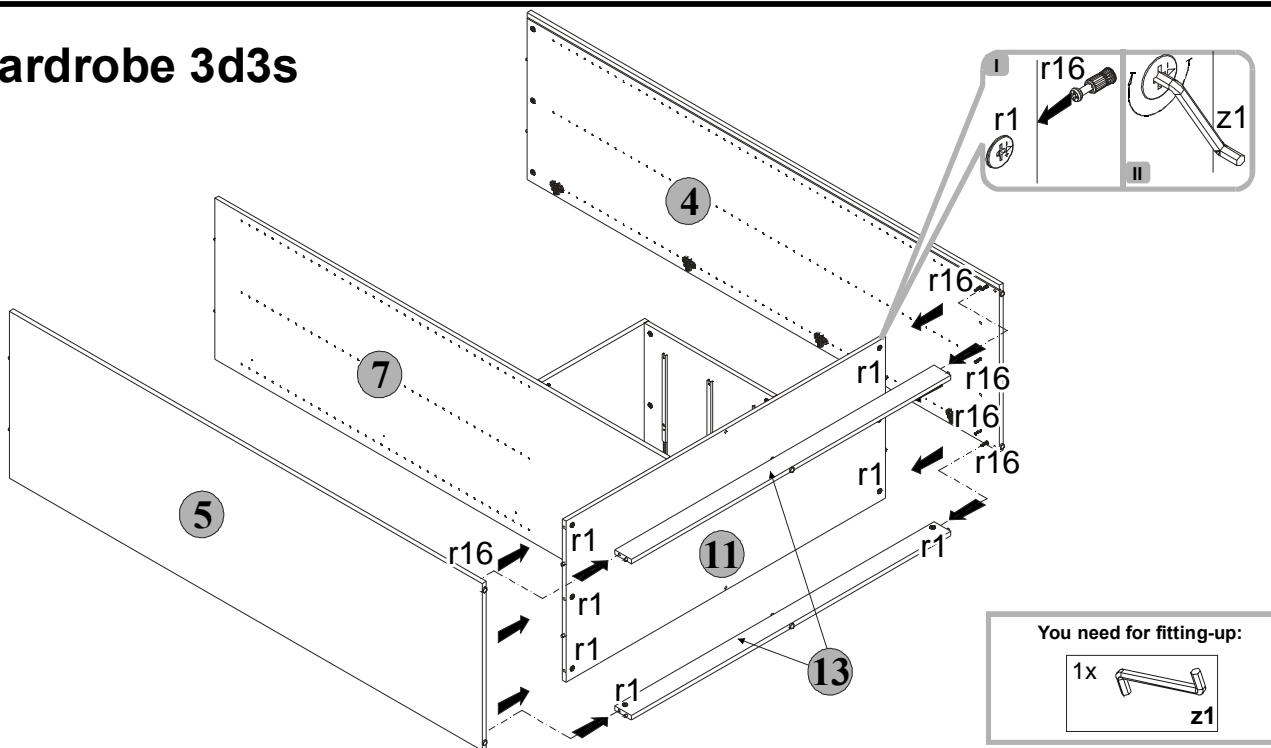
2 Wardrobe 3d3s



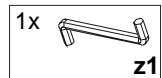
You need for fitting-up:



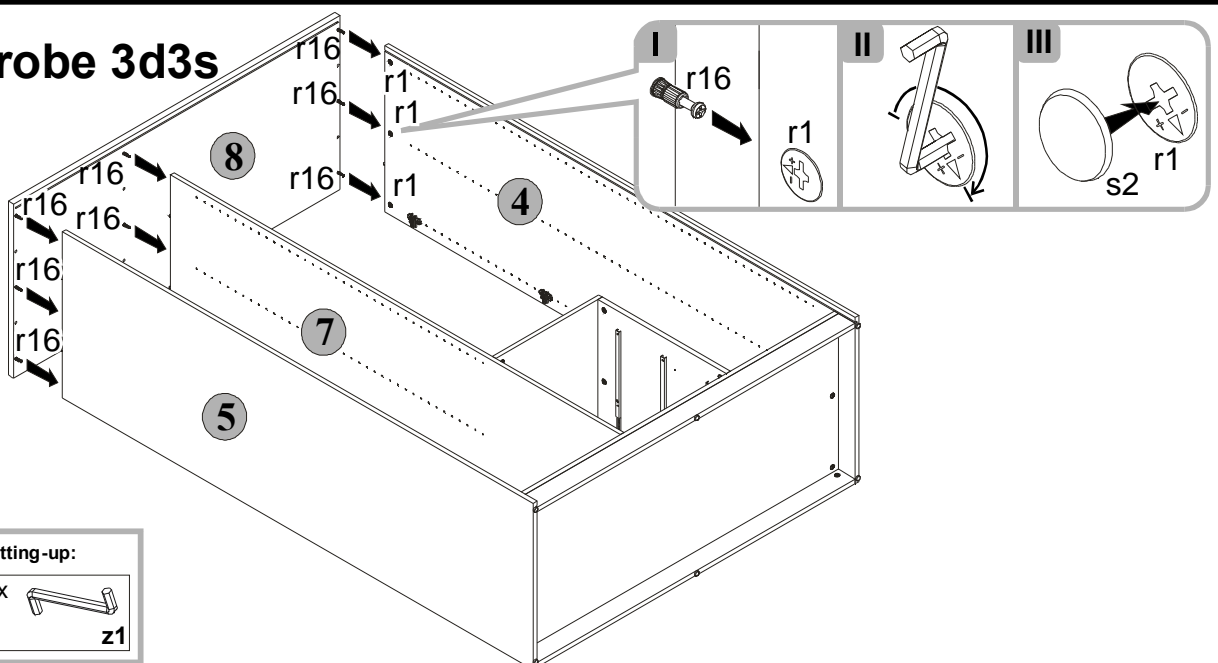
3 Wardrobe 3d3s



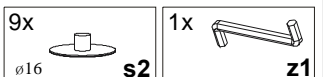
You need for fitting-up:



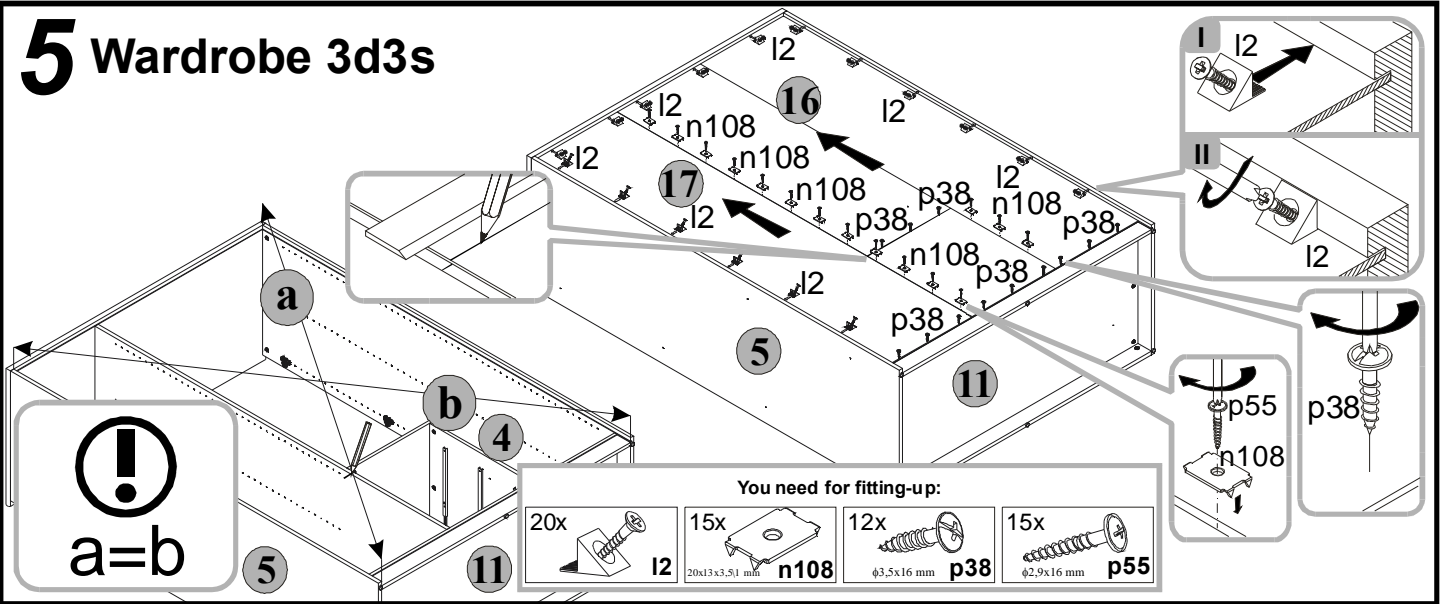
4 Wardrobe 3d3s



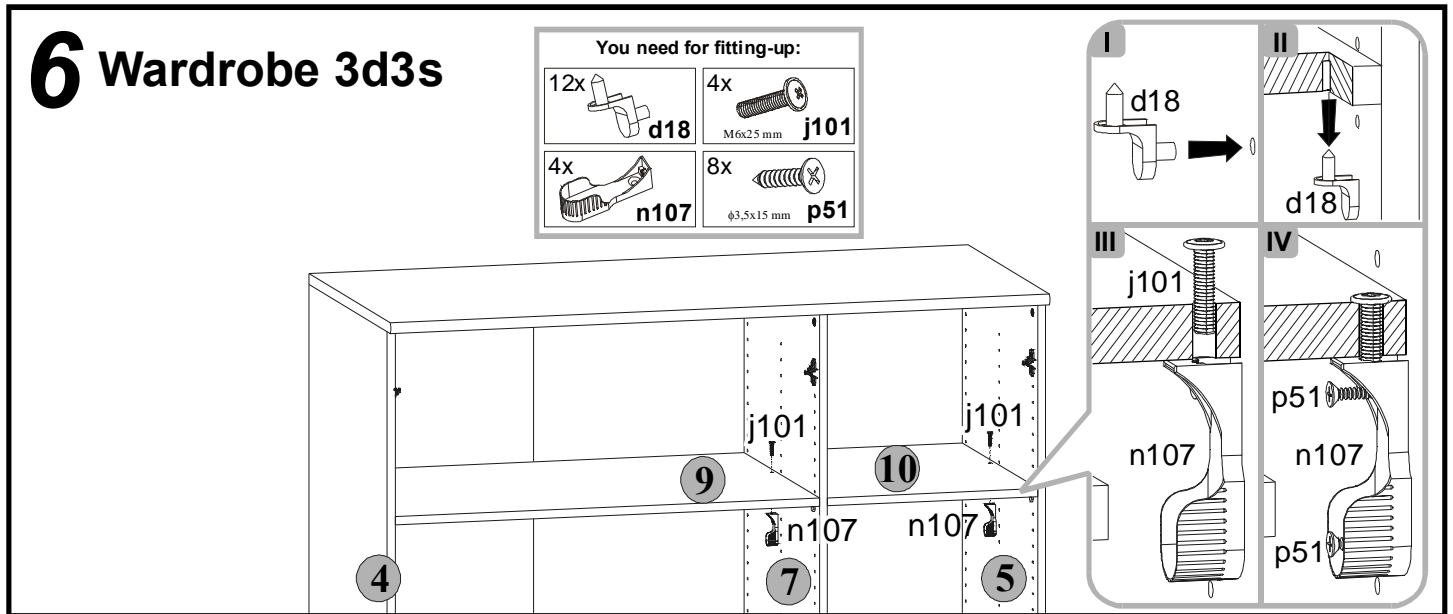
You need for fitting-up:



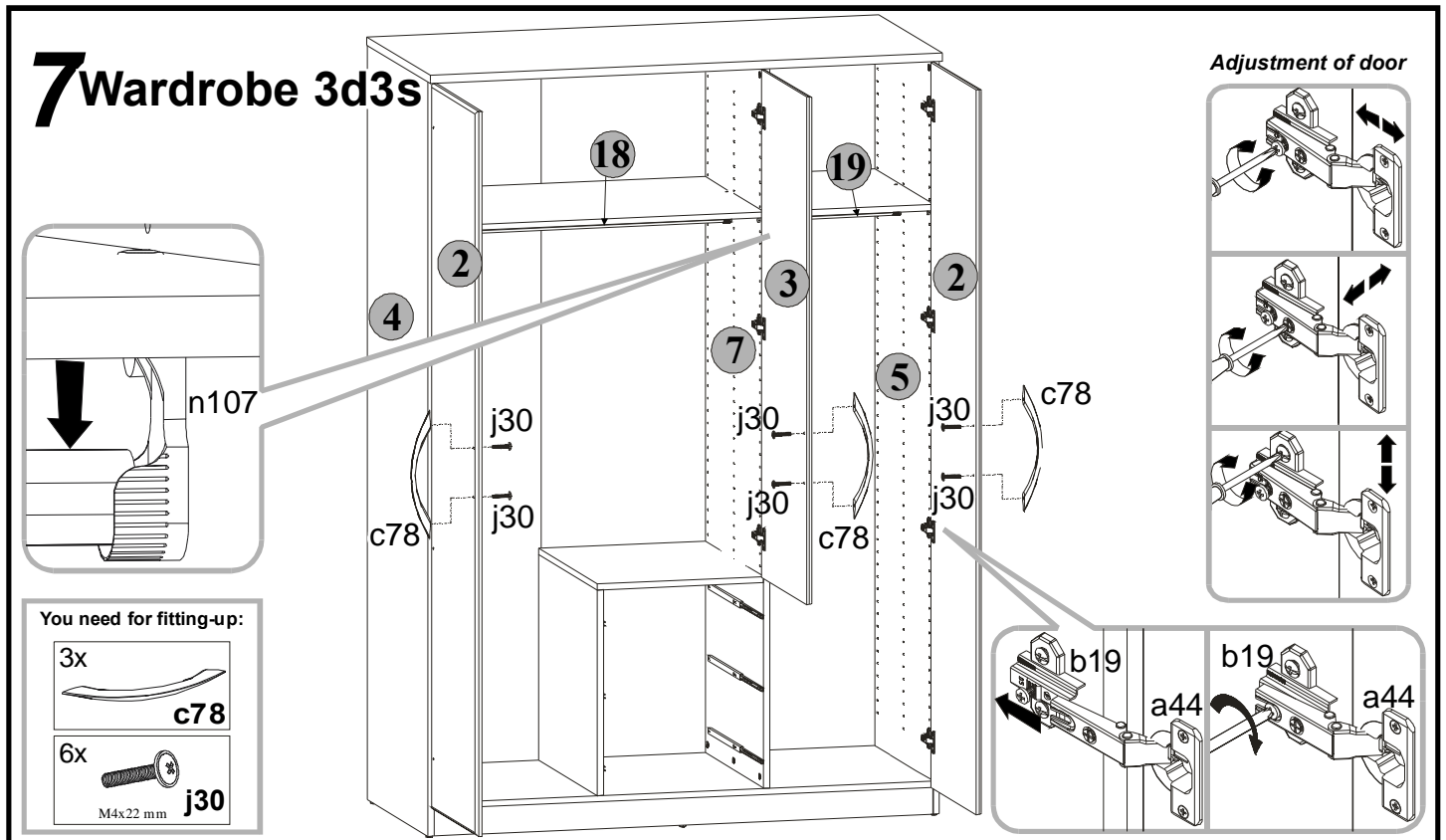
5 Wardrobe 3d3s



6 Wardrobe 3d3s



7 Wardrobe 3d3s



8 Wardrobe 3d3s



Attention: The assembly of the drawer should be done very carefully in order to avoid damaging the delicate joints of the drawer band.



Place **y1** glue in the holes in the component shown, mount the component and leave while the glue dries.

I

You need for fitting-up:

12x		1x	
	φ8x30 mm		

II

You need for fitting-up:

1x	
	y1

III

IV

You need for fitting-up:

3x			
	c78		
6x		1x	
	M4x22 mm		

9 Wardrobe 3d3s

You need for fitting-up:

6x	
	M4x9 mm
	j2