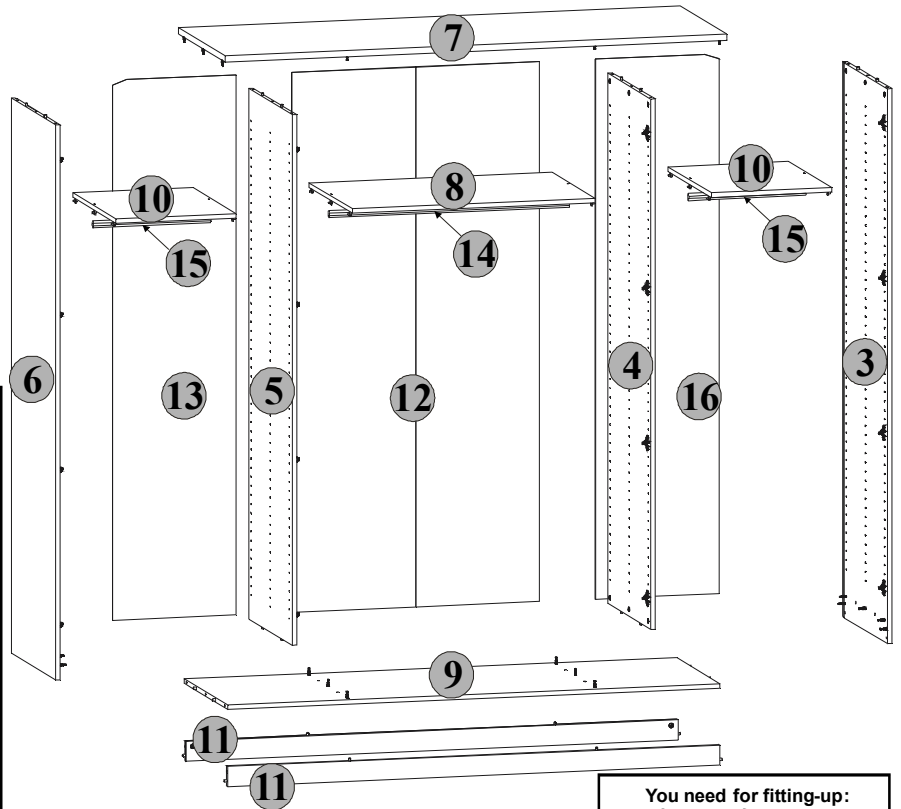


THE ASSEMBLY MANUAL

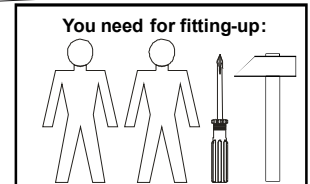
Attention: Before you start the assembly, please get acquainted with the entire assembly manual and stick to the order of assembly presented in this manual.

TOLEDO RANGE

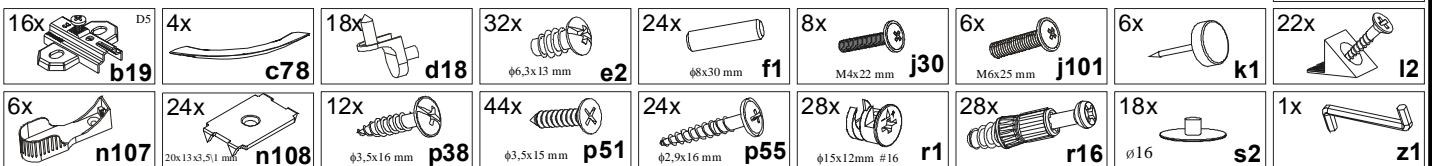
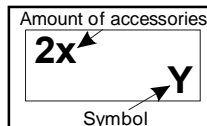
Wardrobe 4d



Element symbol	Measurements	Code	Paket
1	1873x446	S44-021	6/6
2	1873x446	S44-024	5/6
3	1948x595	S44-116	1/6
4	1862x575	S44-124	2/6
5	1862x575	S44-126	2/6
6	1948x595	S44-127	1/6
7	1798x625	S44-212	3/6
8	870x574	S44-314	3/6
9	1764x575	S44-315	2/6
10	431x574	S44-316	3/6
11	1764x70	S44-412	3/6
12	1891x887	S44-926	1/6
13	1891x443	S44-925	1/6
14	857x24	dr-857	3/6
15	418x24	dr-418	3/6
16	1891x443	S44-917	1/6

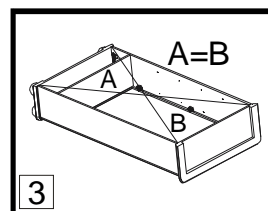
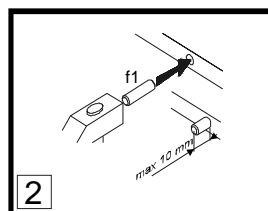
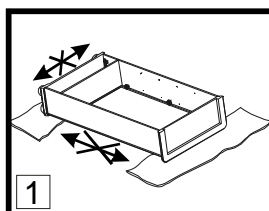


The symbols and the amount of accessories needed for the assembly have been presented below. The accessories can be found in the "Accessories" package.



General instructions for furniture assembly

Attention



Attention:

1. During the assembly, the elements should be put on a soft and clean surface, e.g. a towel or a blanket. Do not assemble the piece on a carpet or floor covering, etc.
2. Drive *f1* pegs into the holes (8 mm in diameter) located along the edges of each element (leave the holes for the eccentric connector pivot free). **Attention:** In case a peg in one of the holes protrudes more than 10 mm, it should be hammered down, exchanged or shortened because it may cause damage to the side of the piece of furniture during its assembly.
3. Before nailing a fiberboard, make sure that the diagonals are equal.

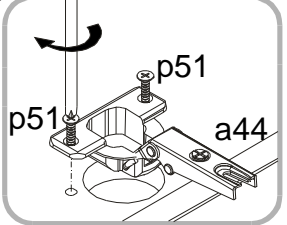
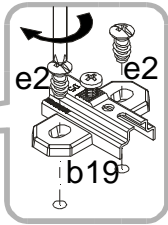
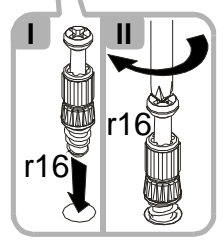
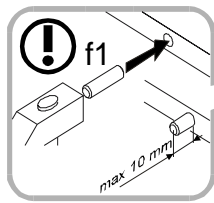
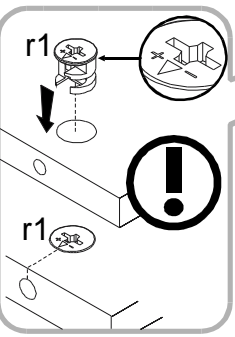
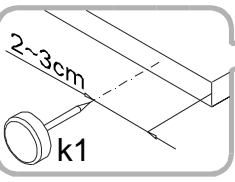
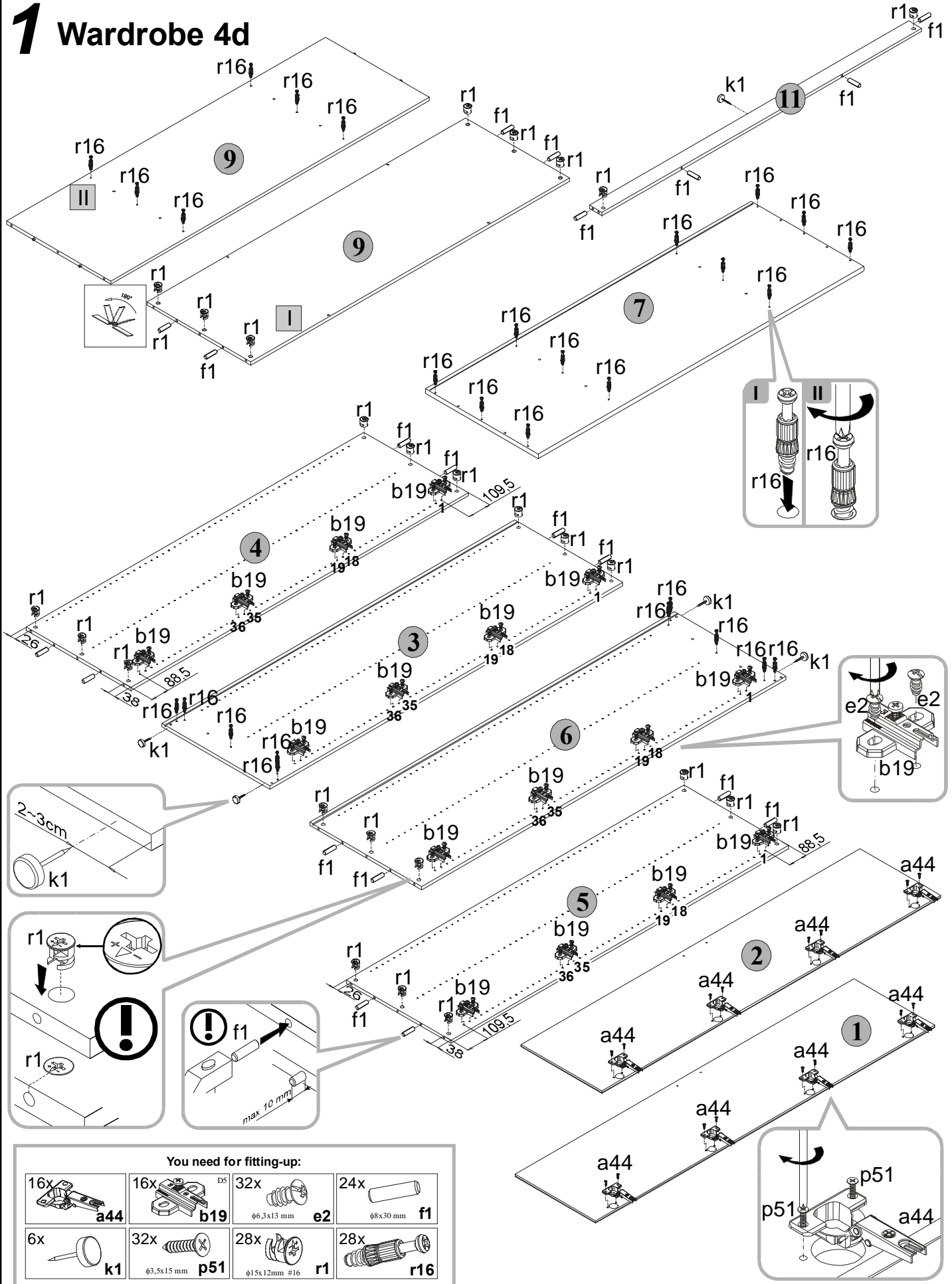
INFORMATION!

Dear client, in case of complaining, please use the code number given in the assembly instruction. Any comments and complaints should be reported at the furniture purchase outlet. **Note!** Do not use any parts showing any faults or marks of damage.



The first stage of the assembly is equipping the elements with the appropriate accessories according to the drawings below. The \odot symbols denote places to which special attention should be paid during the assembly.

1 Wardrobe 4d



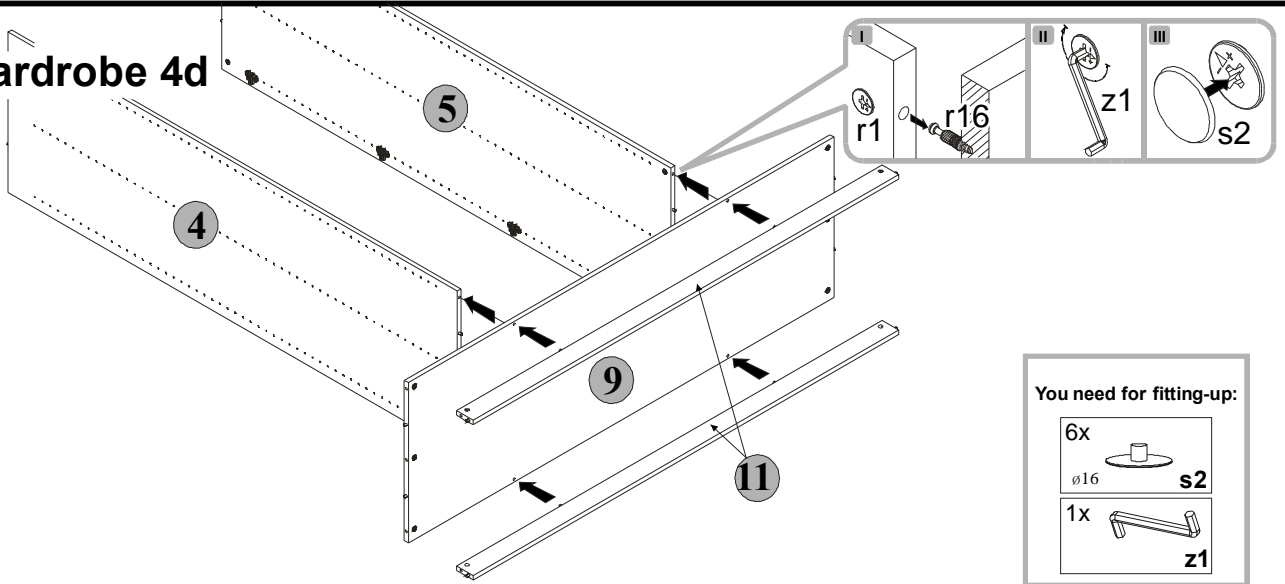
You need for fitting-up:

16x	16x DS	32x $\phi 6,3 \times 13$ mm	24x $\phi 8 \times 30$ mm
6x	32x $\phi 3,5 \times 15$ mm	28x $\phi 1,5 \times 12$ mm #16	28x

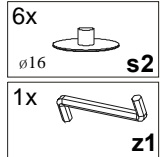


Assemble the unit as shown in the pictures using indicated connectors and/or joints.

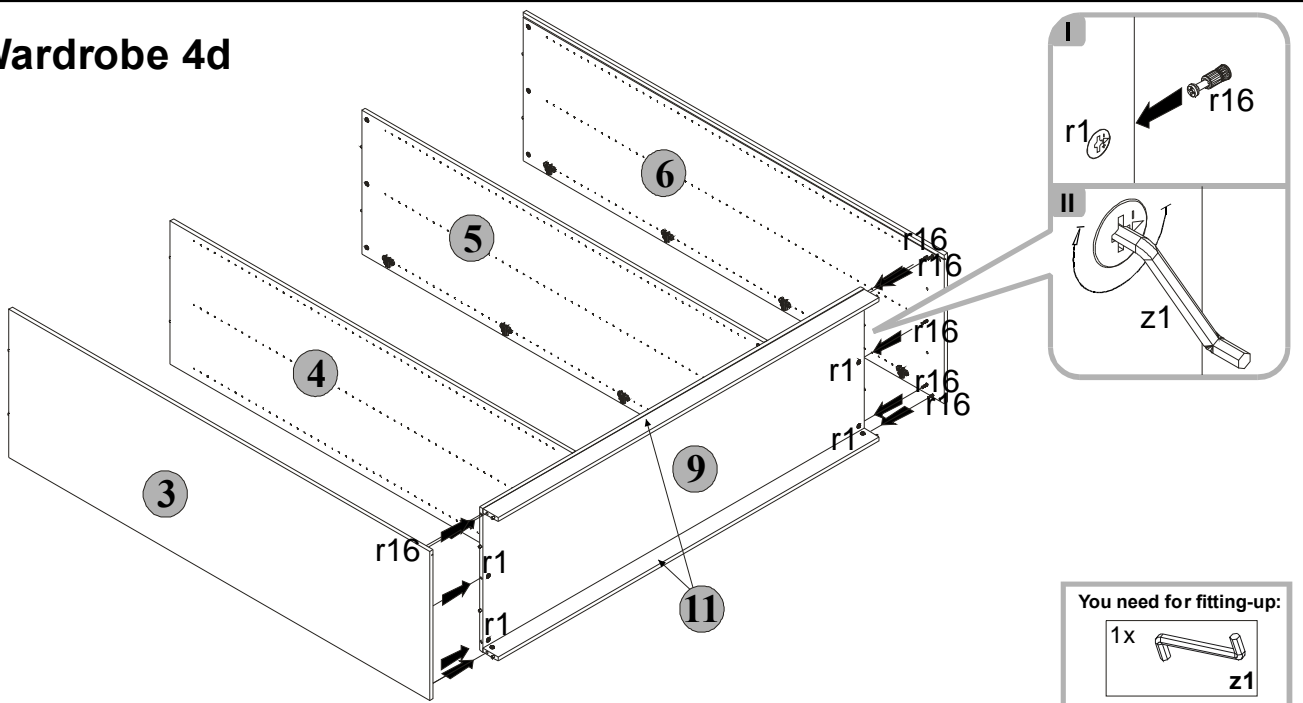
2 Wardrobe 4d



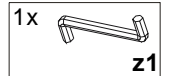
You need for fitting-up:



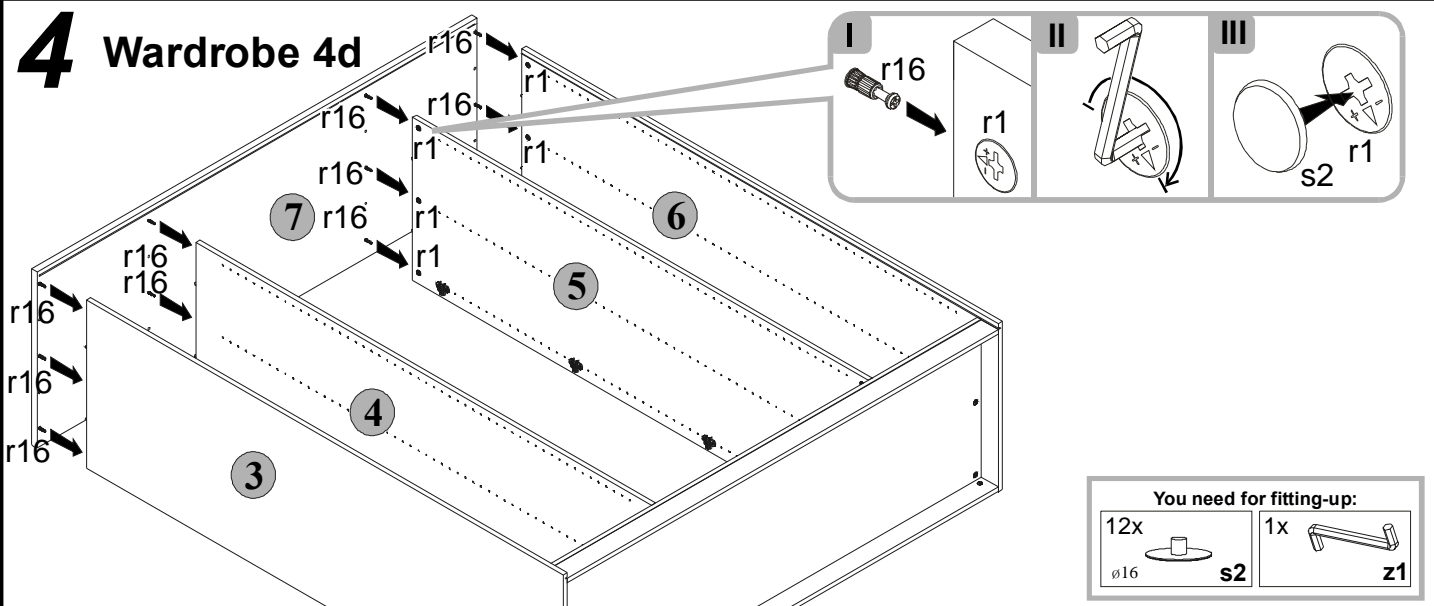
3 Wardrobe 4d



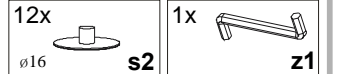
You need for fitting-up:



4 Wardrobe 4d



You need for fitting-up:



5 Wardrobe 4d

!
a=b

You need for fitting-up:

- 22x l2
- 24x n108
20x13x3,5(1 mm)
- 12x p38
ø3,5x16 mm
- 24x p55
ø2,9x16 mm

6 Wardrobe 4d

You need for fitting-up:

- 18x d18
- 6x j101
M6x25 mm
- 6x n107
- 12x p51
ø3,5x15 mm

7 Wardrobe 4d

You need for fitting-up:

- 8x j30
M4x22 mm
- 4x c78

Adjustment of door