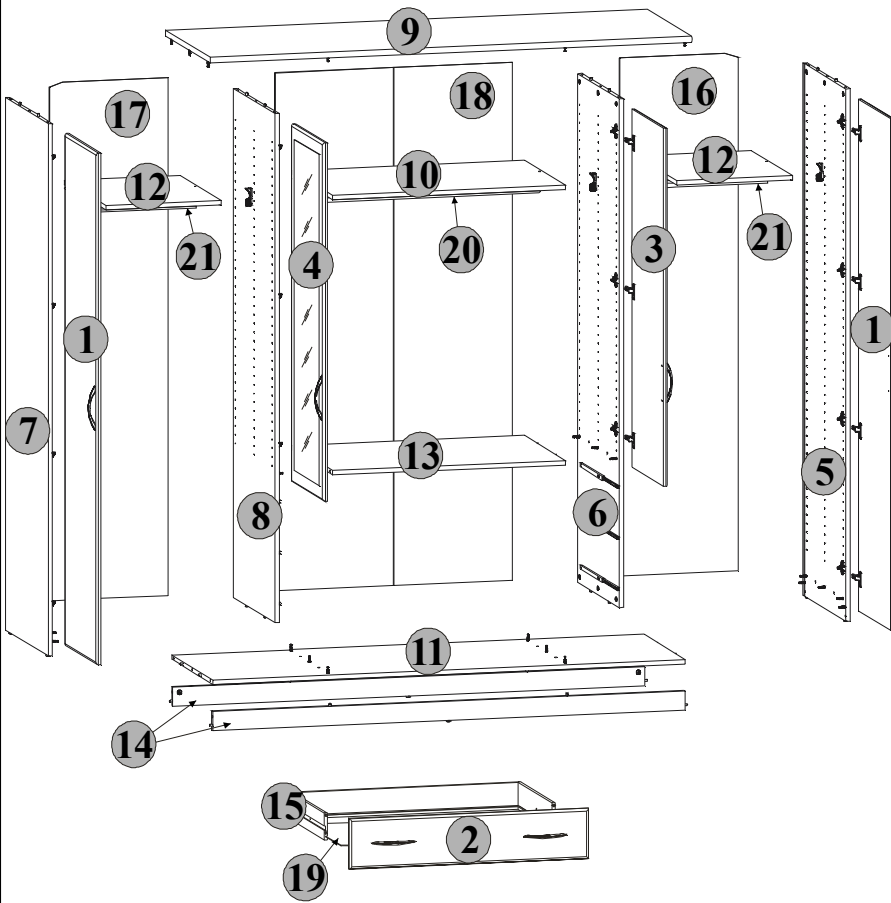


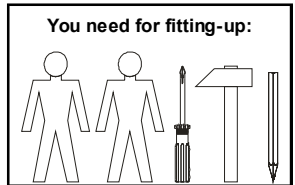
# THE ASSEMBLY MANUAL

**Attention:** Before you start the assembly, please get acquainted with the entire assembly manual and stick to the order of assembly presented in this manual.

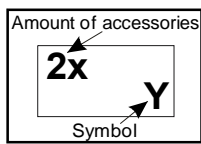
## TOLEDO RANGE Wardrobe 4d3s



Element symbol	Measurements	Code	Paket
1	1873x446	S44-021	6/6
2	893x184	S44-025	6/6
3	1311x446	S44-026	5/6
4	1311x446	S44-027	5/6
5	1948x595	S44-116	1/6
6	1862x575	S44-125	2/6
7	1948x595	S44-127	1/6
8	1862x575	S44-128	2/6
9	1798x625	S44-212	3/6
10	870x574	S44-314	2/6
11	1764x575	S44-315	3/6
12	431x574	S44-316	3/6
13	870x576	S44-322	2/6
14	1764x70	S44-412	2/6
15	1823x100	S44-516	1/6
16	1891x443	S44-917	1/6
17	1891x443	S44-925	1/6
18	1891x887	S44-926	1/6
19	849x481	S44-927	1/6
20	857x24	dr-857	2/6
21	418x24	dr-418	2/6



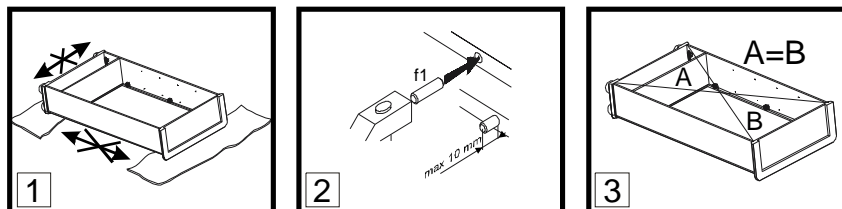
The symbols and the amount of accessories needed for the assembly have been presented below. The accessories can be found in the "Accessories" package.



28x $\phi 6,3 \times 13$ mm e2	40x $\phi 8 \times 30$ mm f1	6x  M4x9 mm j2	14x  a44	14x  b19	10x  c78	18x  d18
6x  n107	24x $20 \times 13 \times 3,51$ mm n108	18x $\phi 3,5 \times 13$ mm p1	20x  M4x22 mm j30	6x  M6x25 mm j101	6x  k1	22x  l2
24x $\phi 2,9 \times 16$ mm p55	34x $\phi 15 \times 12$ mm #16 r1	34x  r16	3x $\phi 3,5 \times 16$ mm p25	3x $\phi 3,5 \times 10$ mm p35	18x $\phi 3,5 \times 16$ mm p38	40x $\phi 3,5 \times 15$ mm p51
	12x $\phi 16$ s2	3x  480 mm t3	6x  310 mm w4	1x  GLUB y1	1x  z1	

### General instructions for furniture assembly

#### Attention



**Attention:**

- During the assembly, the elements should be put on a soft and clean surface, e.g. a towel or a blanket. Do not assemble the piece on a carpet or floor covering, etc.
- Drive *f1* pegs into the holes (8 mm in diameter) located along the edges of each element (leave the holes for the eccentric connector pivot free). **Attention:** In case a peg in one of the holes protrudes more than 10 mm, it should be hammered down, exchanged or shortened because it may cause damage to the side of the piece of furniture during its assembly.
- Before nailing a fiberboard, make sure that the diagonals are equal.

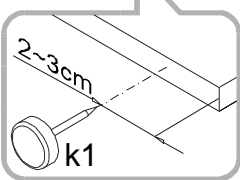
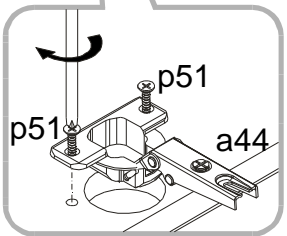
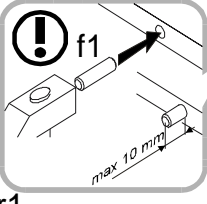
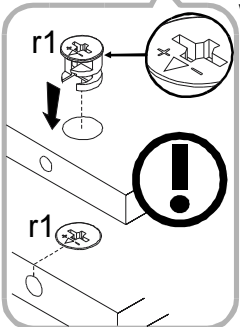
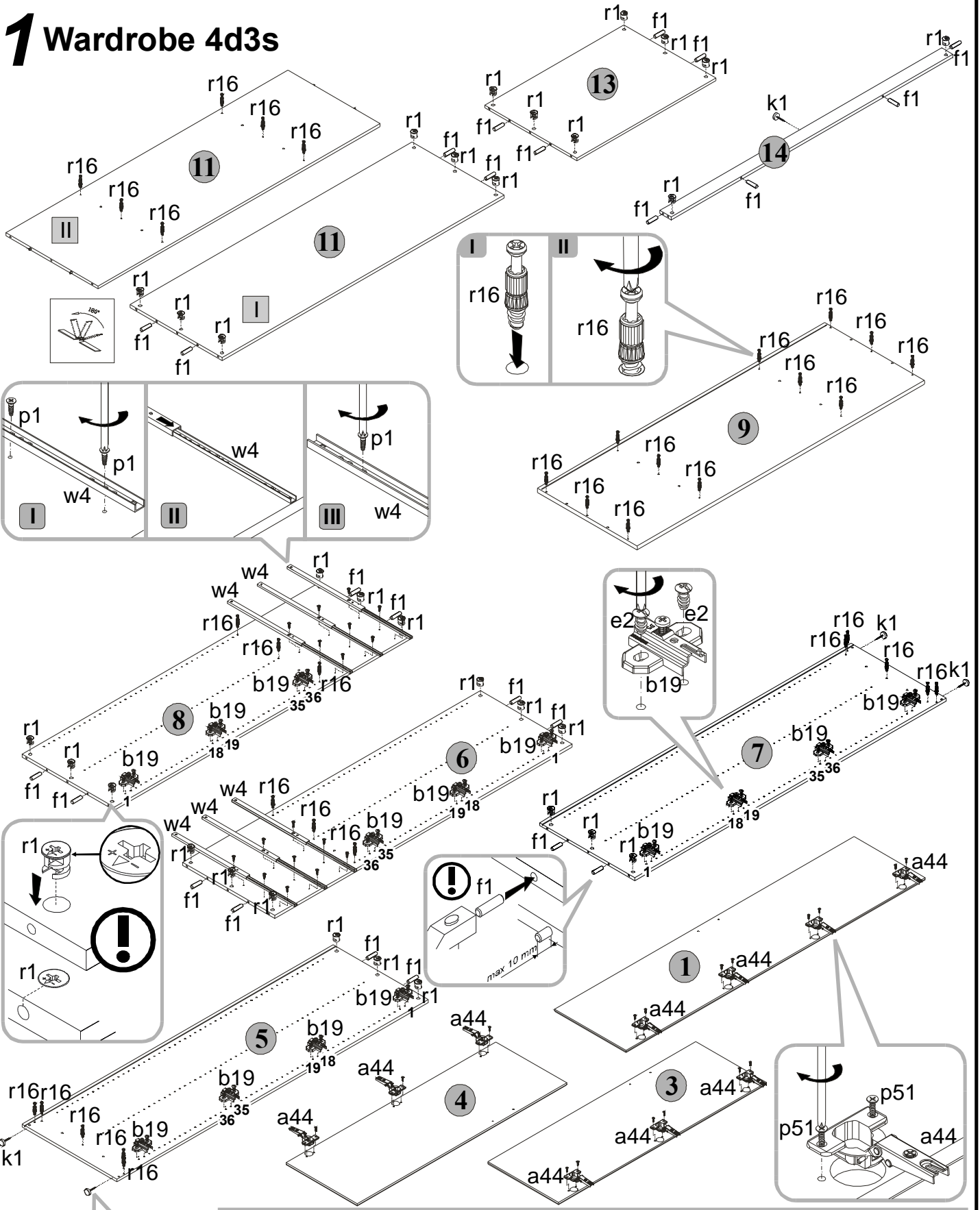
**INFORMATION!**

Dear client, in case of complaining, please use the code number given in the assembly instruction. Any comments and complaints should be reported at the furniture purchase outlet. **Note!** Do not use any parts showing any faults or marks of damage.



The first stage of the assembly is equipping the elements with the appropriate accessories according to the drawings below. The Ⓞ symbols denote places to which special attention should be paid during the assembly.

# 1 Wardrobe 4d3s



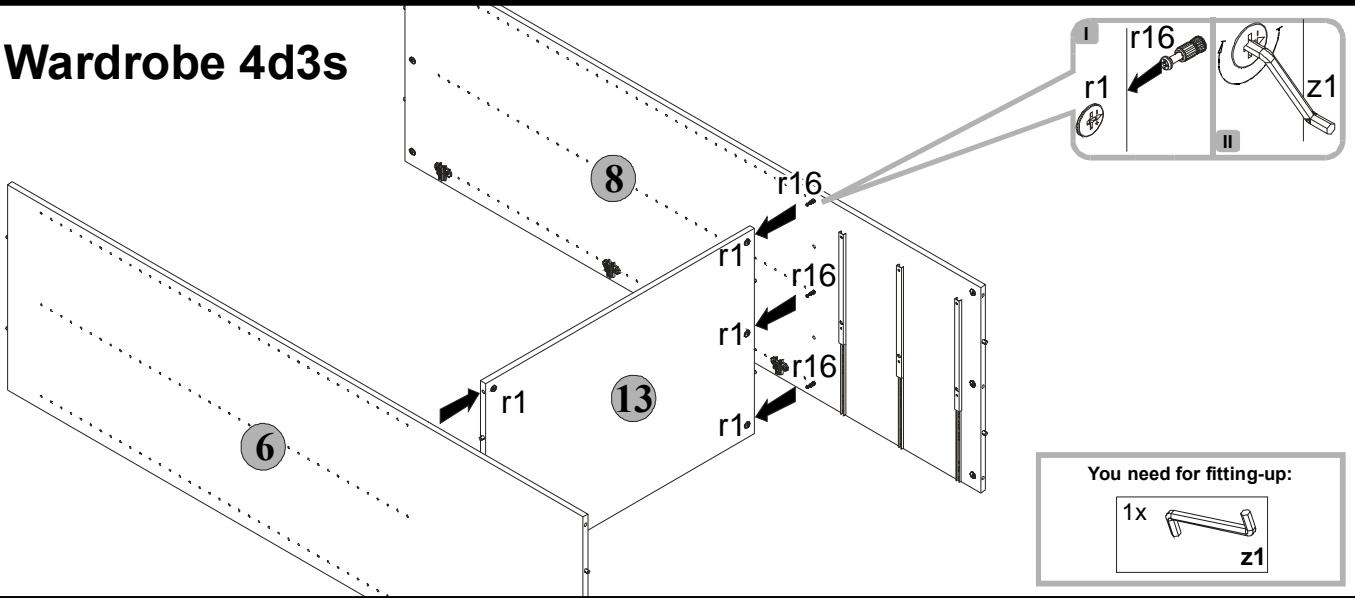
You need for fitting-up:

14x  a44	14x  b19	28x  e2 φ6,3x13 mm	28x  f1 φ8x30 mm	34x  r1 φ1,5x12mm #16
34x  r16	6x  k1	18x  p1 φ3,5x13 mm	28x  p51 φ3,5x15 mm	6x  w4 310 mm

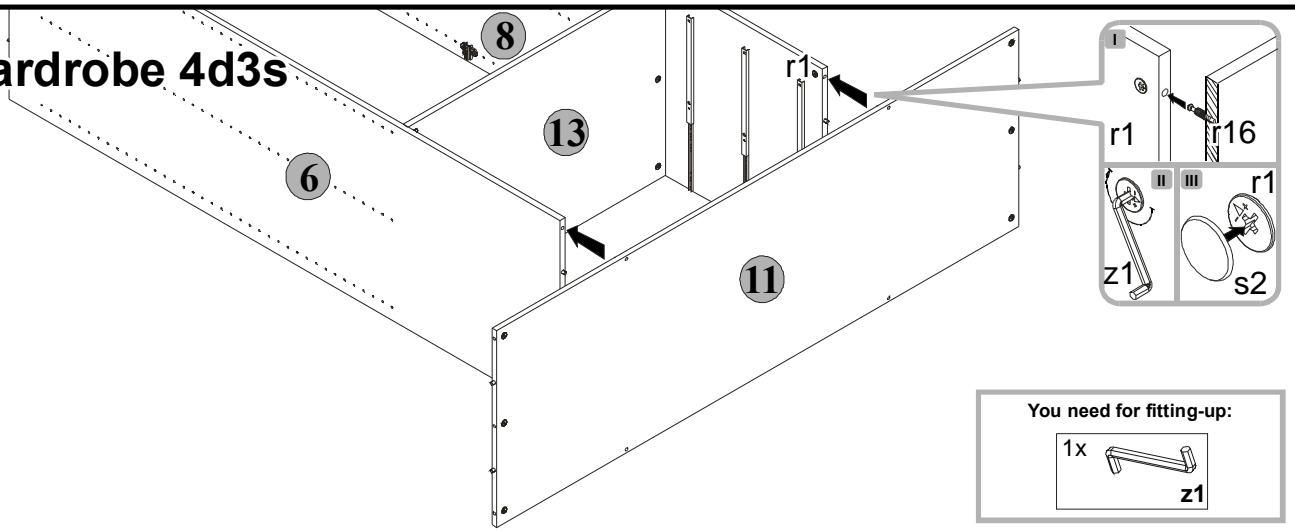


Assemble the unit as shown in the pictures using indicated connectors and/or joints.

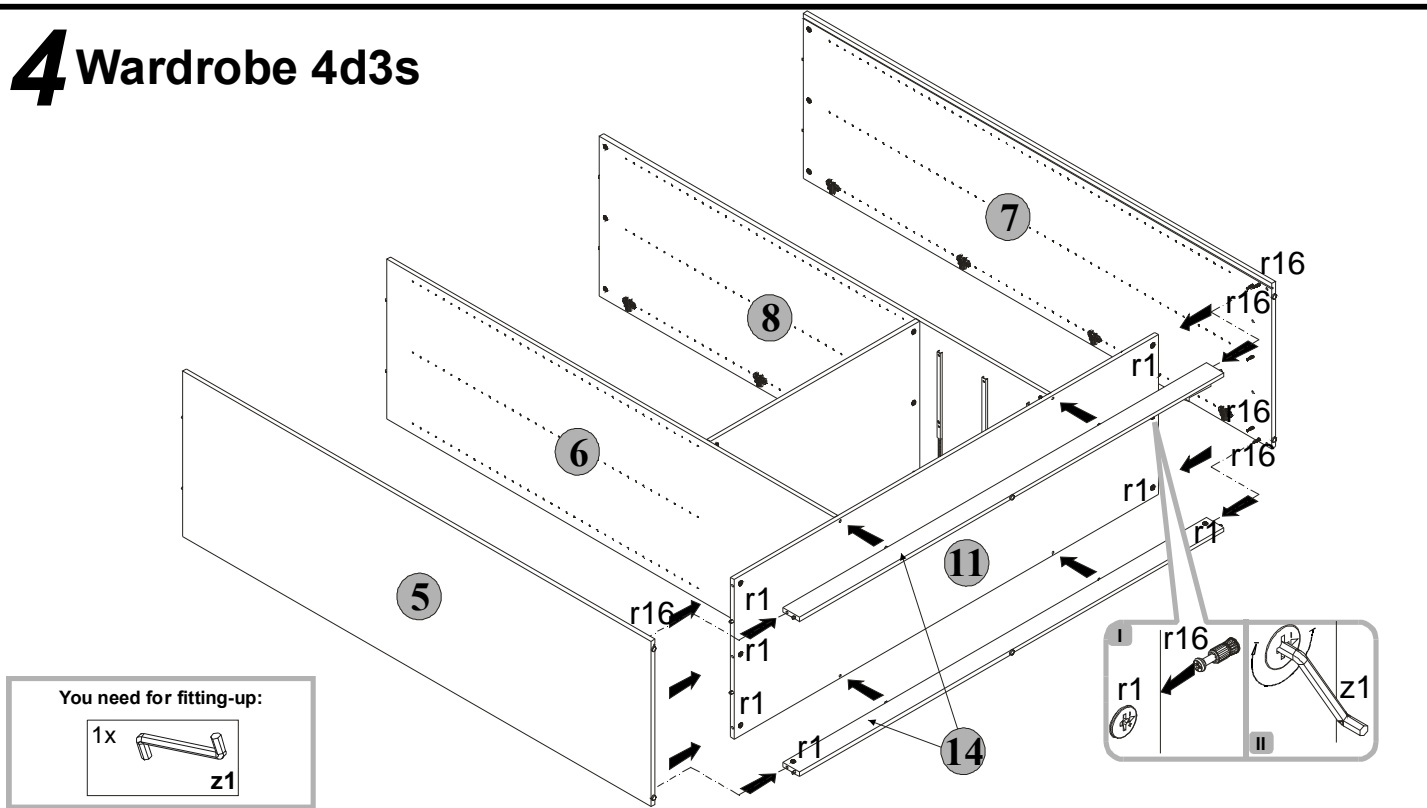
## 2 Wardrobe 4d3s



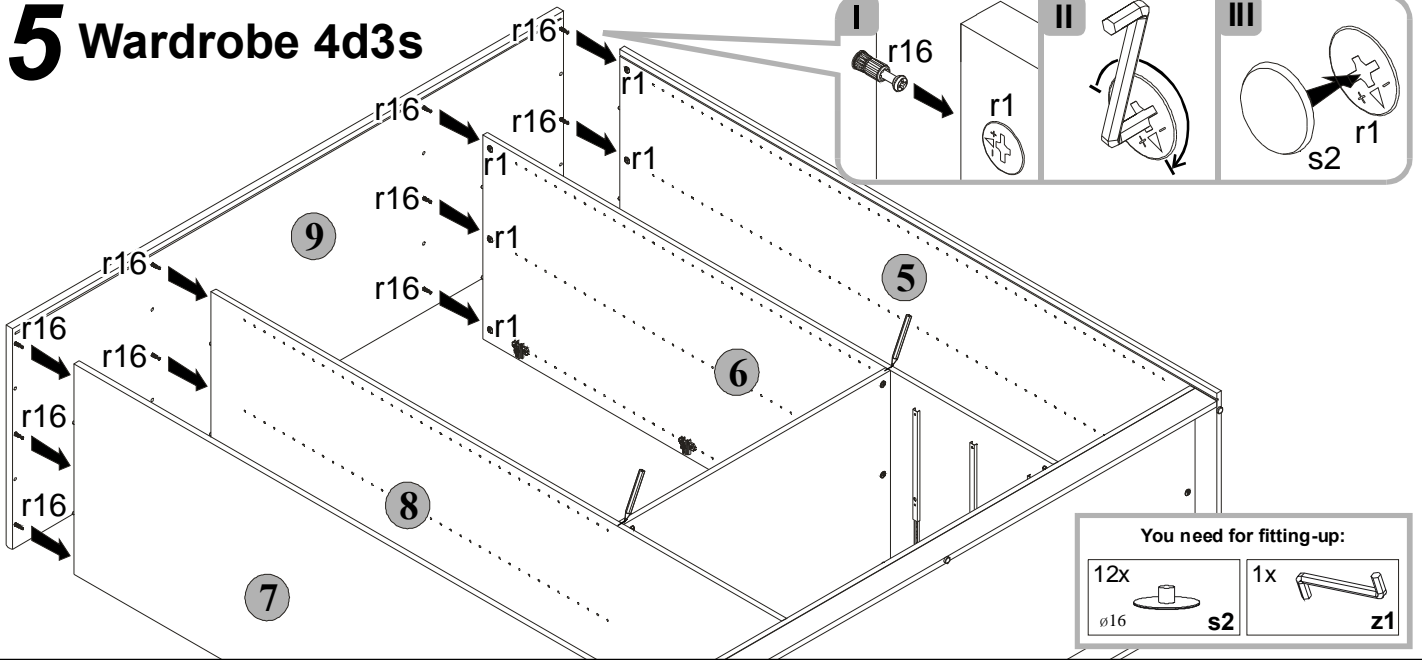
## 3 Wardrobe 4d3s



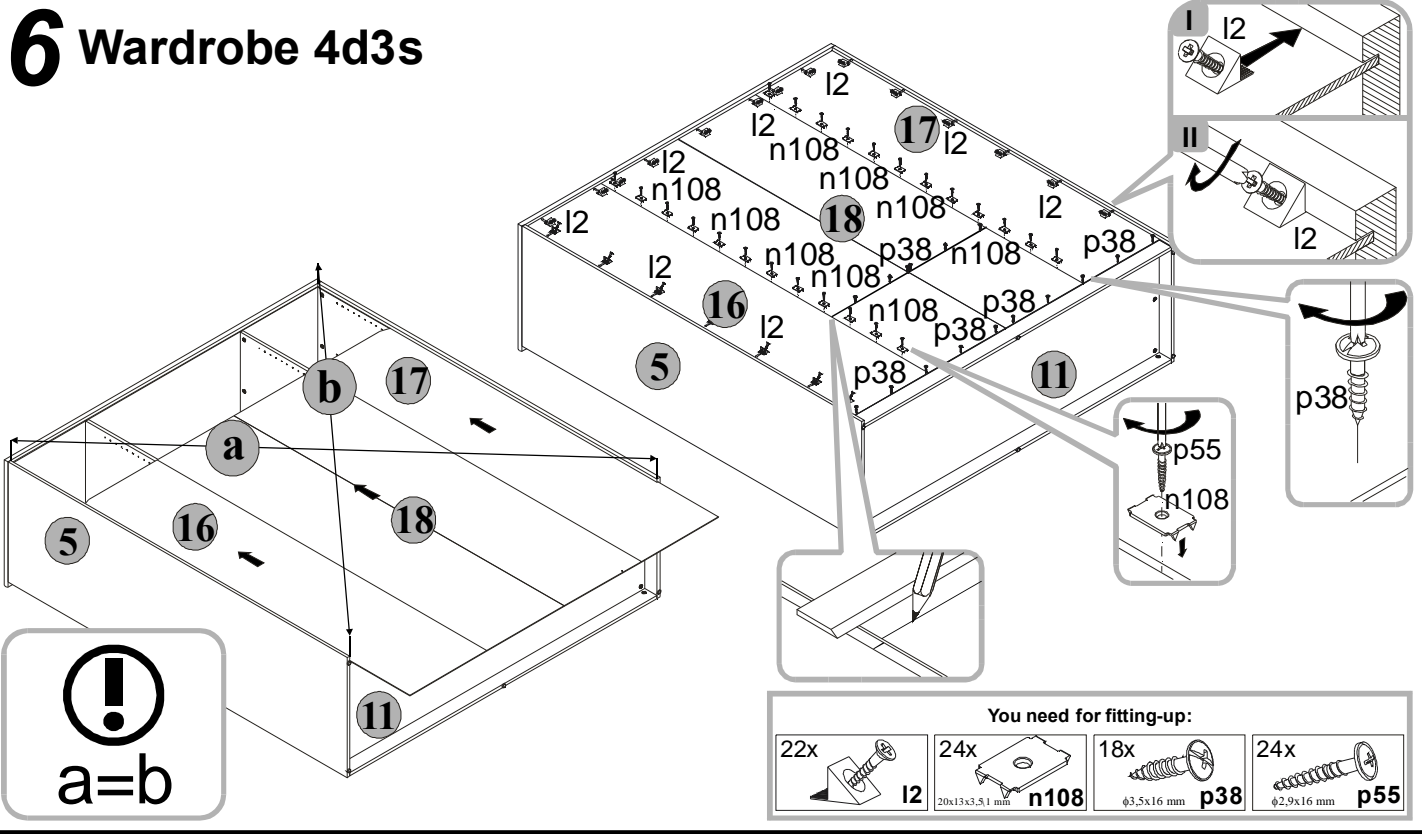
## 4 Wardrobe 4d3s



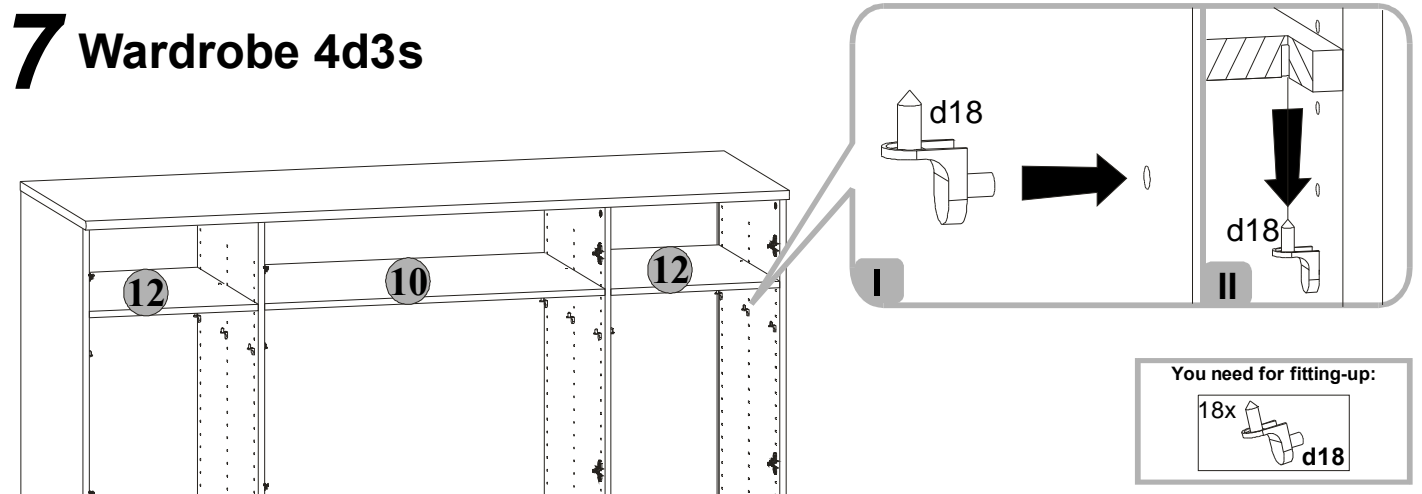
# 5 Wardrobe 4d3s



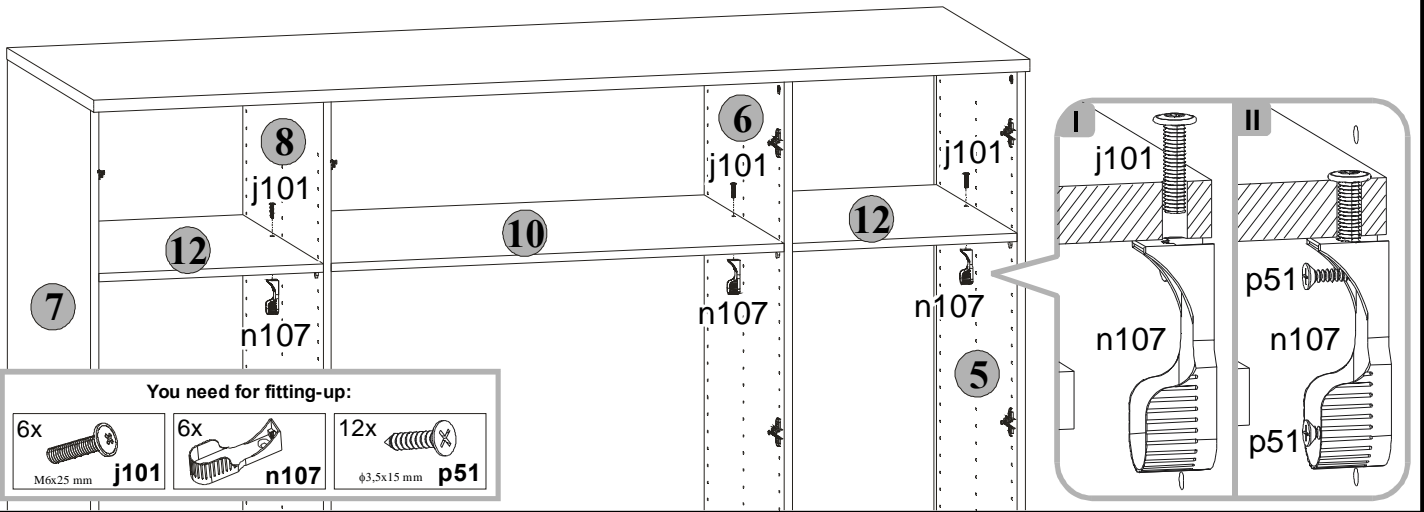
# 6 Wardrobe 4d3s



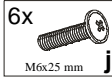
# 7 Wardrobe 4d3s



# 8 Wardrobe 4d3s



You need for fitting-up:



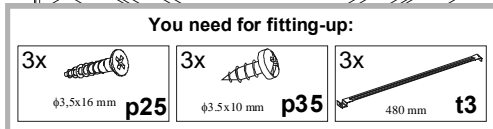
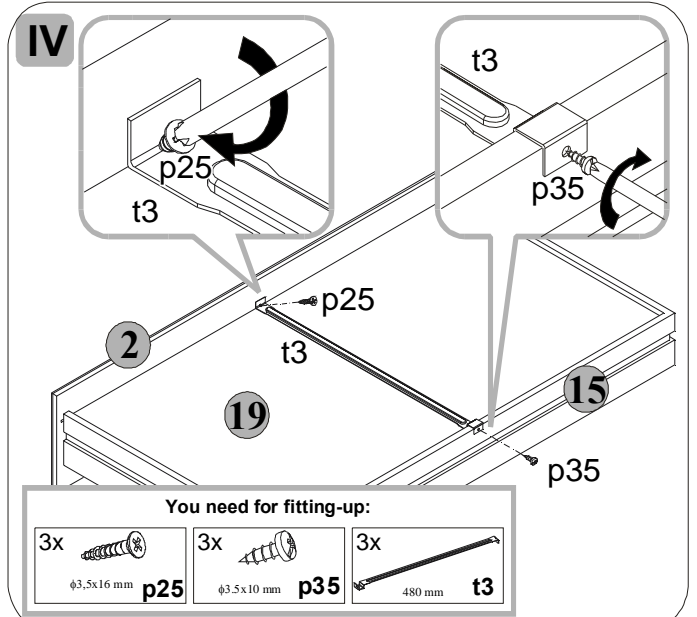
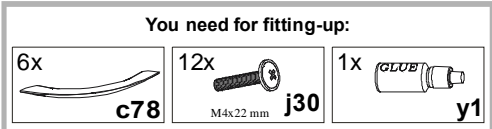
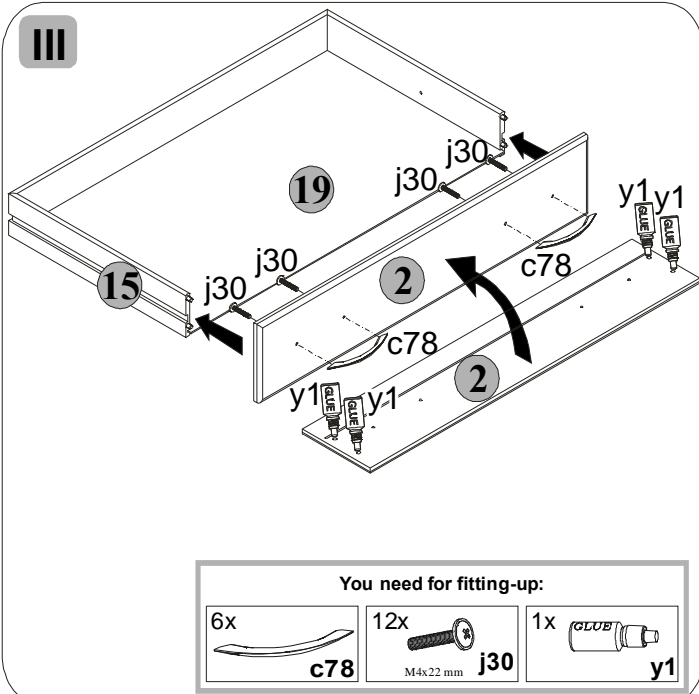
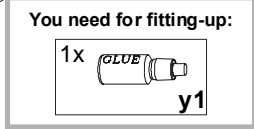
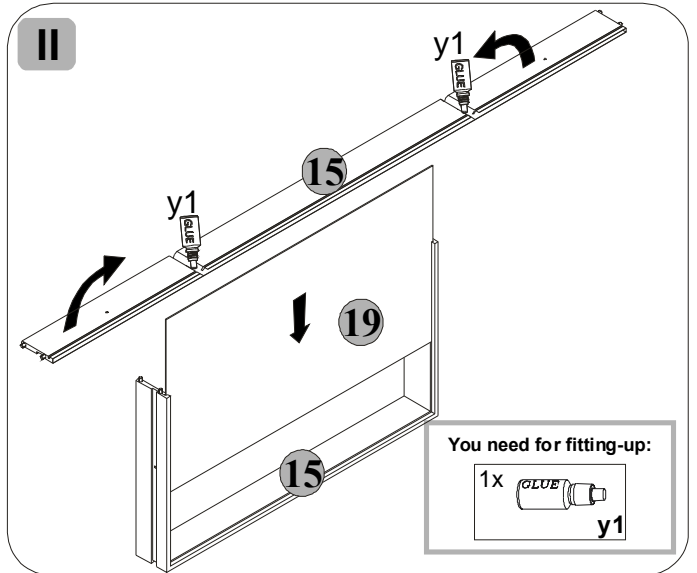
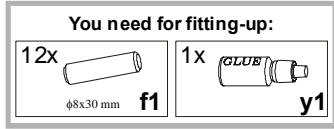
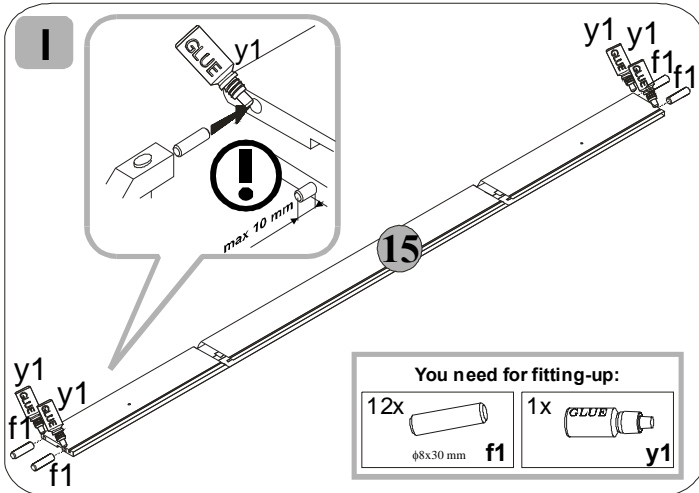
# 9 Wardrobe 4d3s



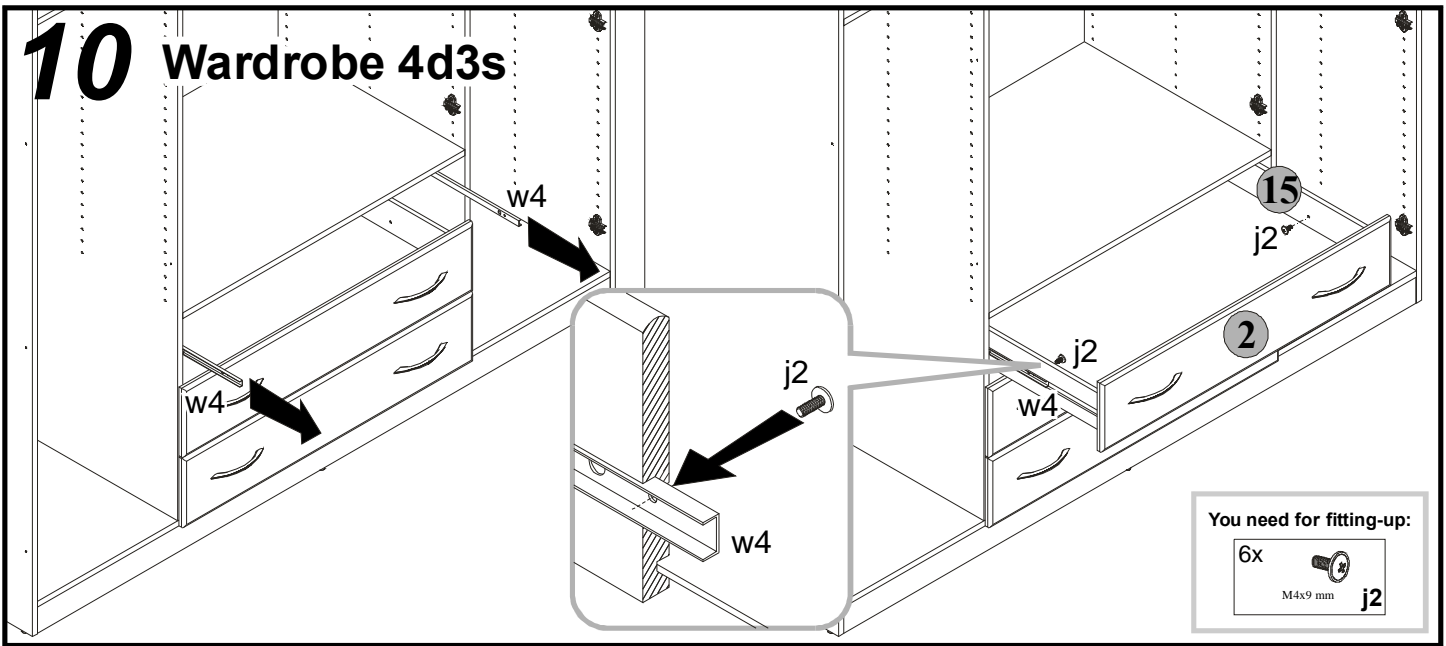
Attention: The assembly of the drawer should be done very carefully in order to avoid damaging the delicate joints of the drawer band.




Place **y1** glue in the holes in the component shown, mount the component and leave while the glue dries.



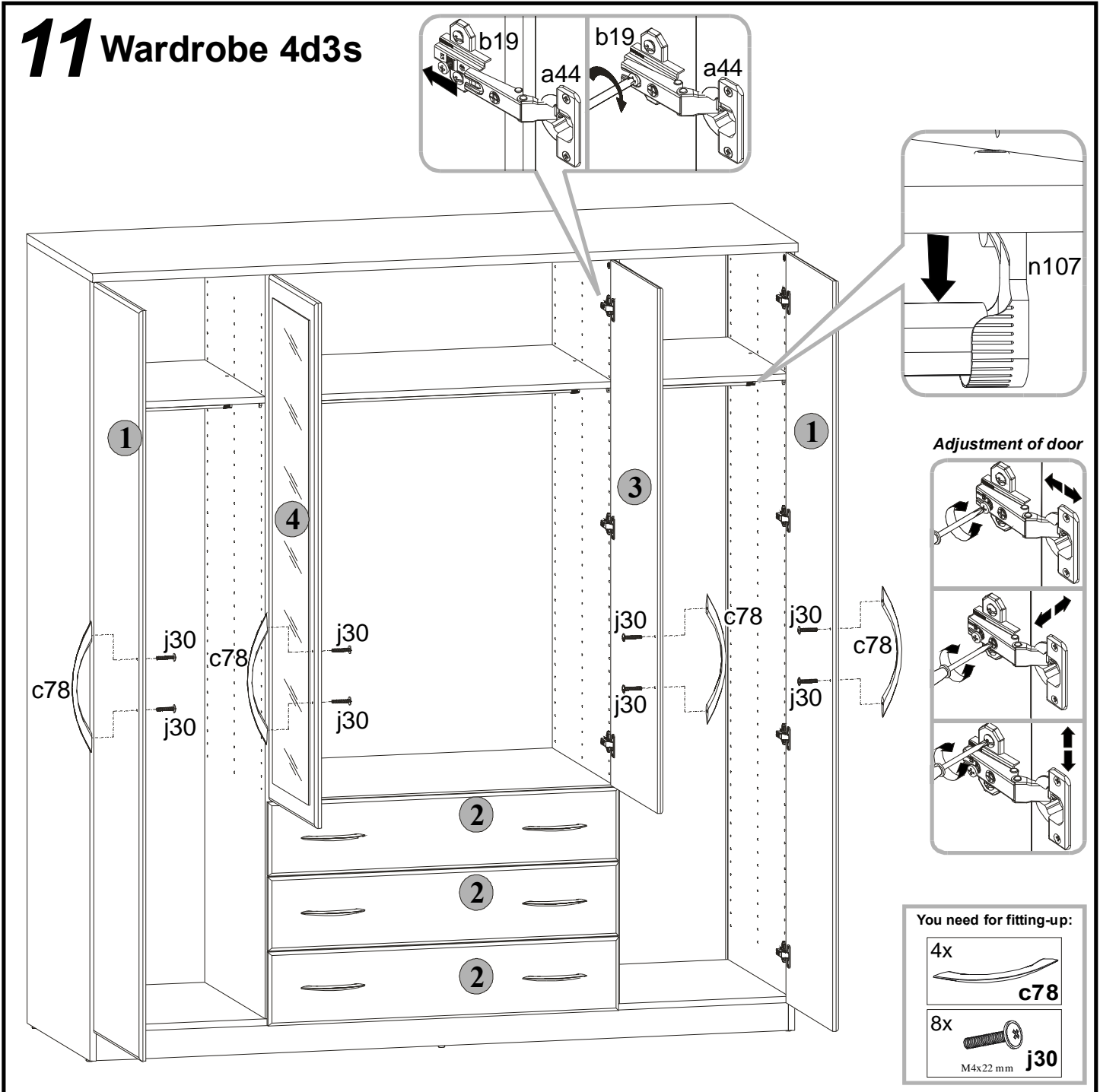
# 10 Wardrobe 4d3s



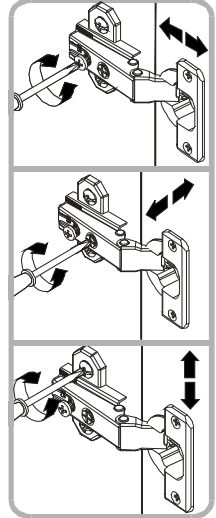
You need for fitting-up:

6x	
	M4x9 mm <b>j2</b>



# 11 Wardrobe 4d3s



Adjustment of door



You need for fitting-up:

4x	
	<b>c78</b>
8x	
	M4x22 mm <b>j30</b>