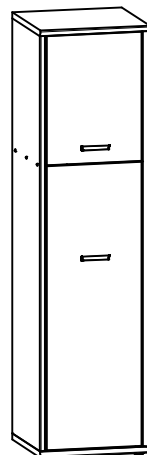
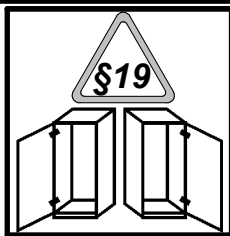


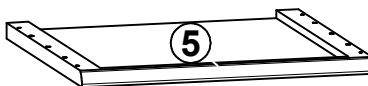
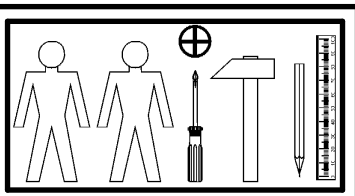
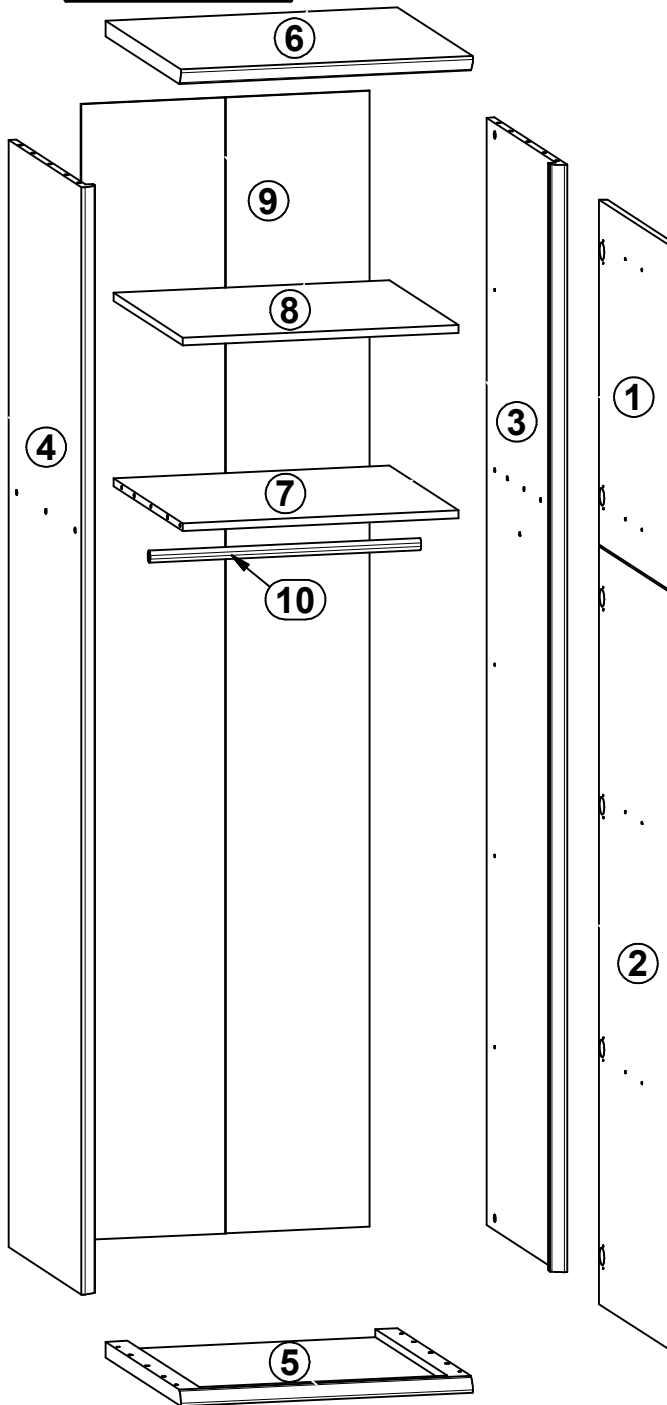
TOM

S29-Szafa_60

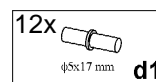
A	B	C	D
1	S29-018	696	530
2	S29-019	1530	530
3	S29-122	2236	562
4	S29-123	2236	562
5	S29-215	600	580
6	S29-216	600	580
7	S29-317	567	531
8	S29-318	567	531
9	S29-906	2294	593
10	dr-557	557	22

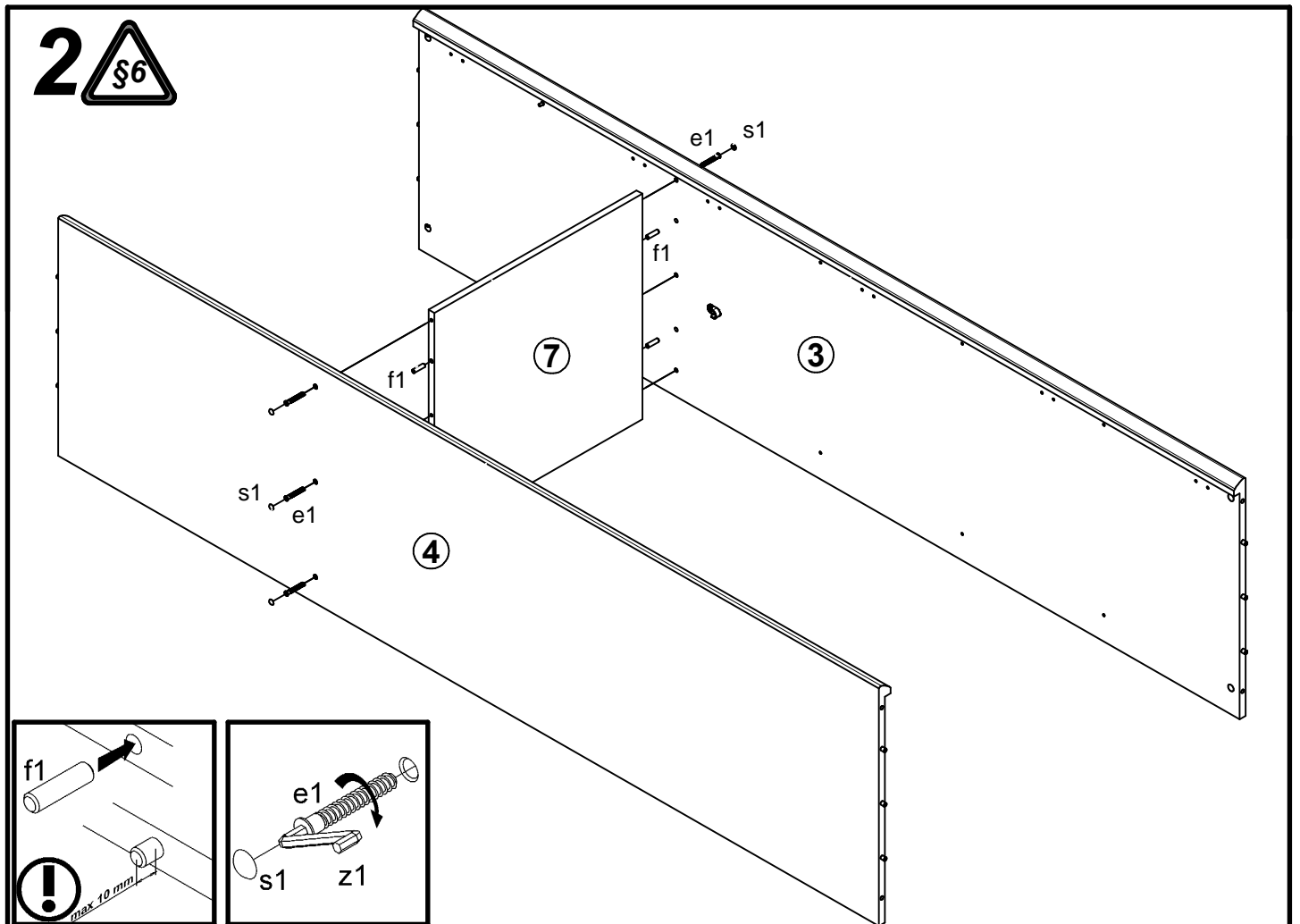
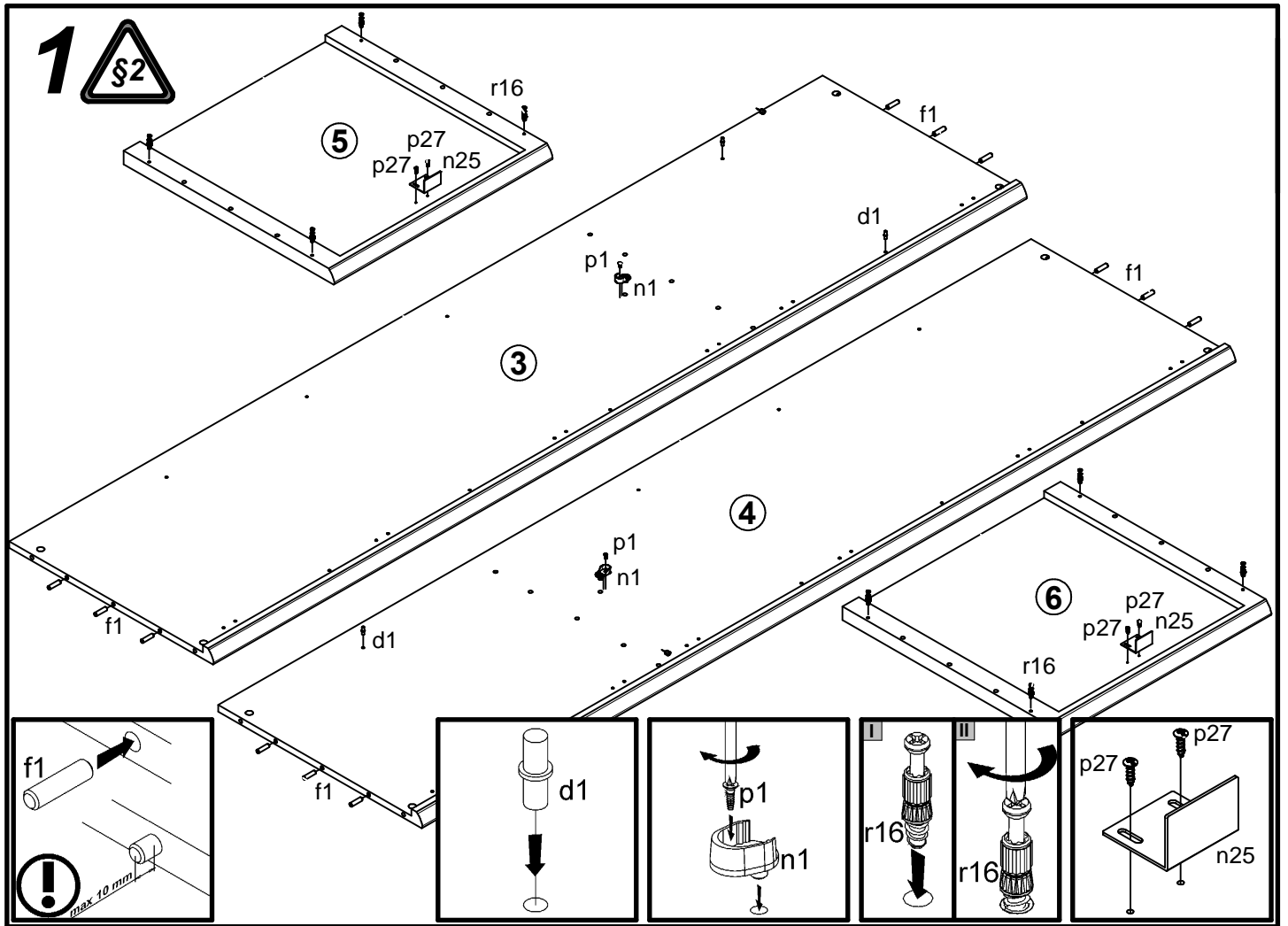


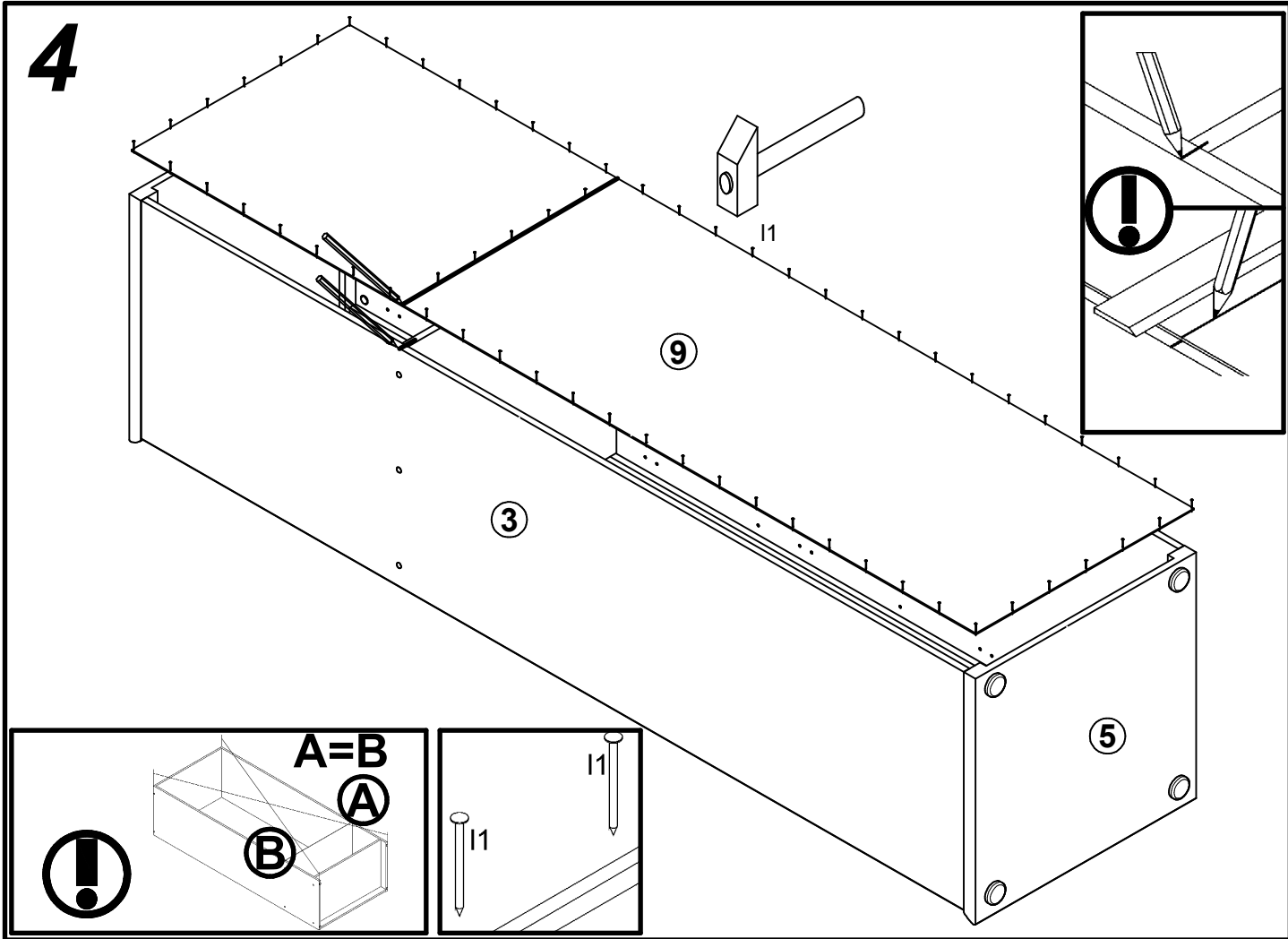
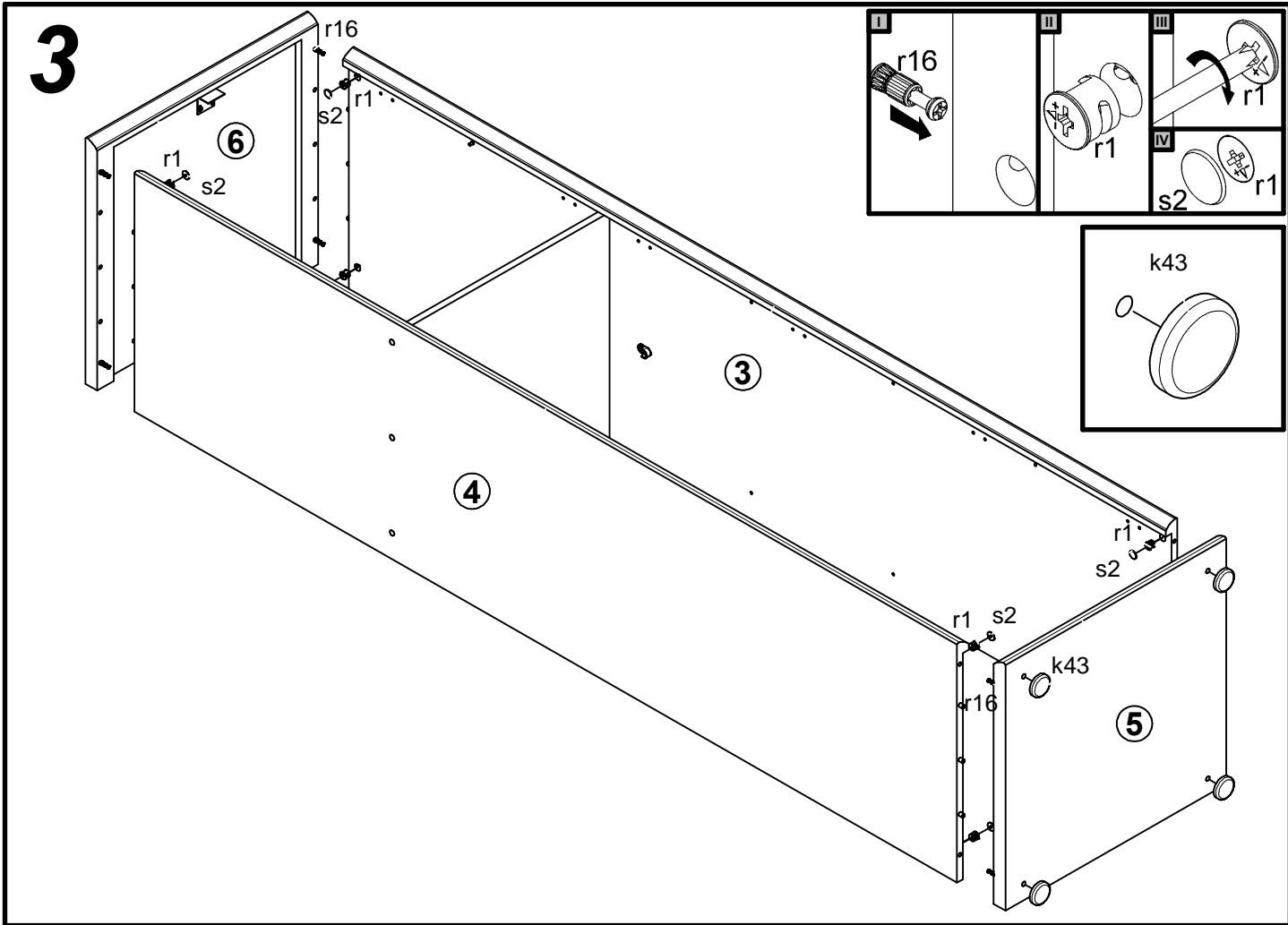
A	B	C	D
11	S29-318	567	531



6x a27	6x b13	6x b8	2x c86 L=128 mm	4x d1 φ5x17 mm	1x d9	6x e1 φ7x50 mm	12x e23 φ6,3x30 mm	16x f1 φ8x30 mm
4x k43	100x l1	2x n1	2x n25 40x46x30x1,5mm	2x p1 φ3,5x13 mm	4x p27 φ3,5x13 mm	12x p51 φ3,5x15 mm	4x p9 φ4x30 mm	8x r1 φ1,5x12mm #16
8x r16	6x s1 ø16	8x s2	1x z1	1x n26\1	1x p38 φ3,5x16 mm			







5

