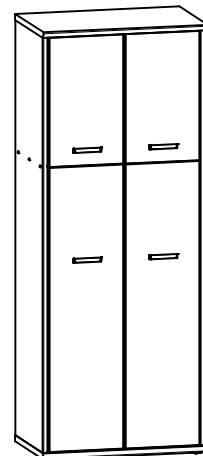


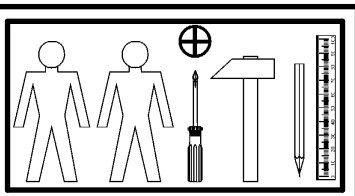
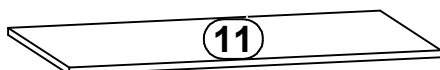
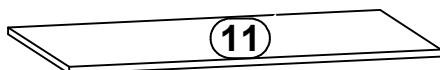
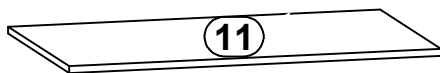
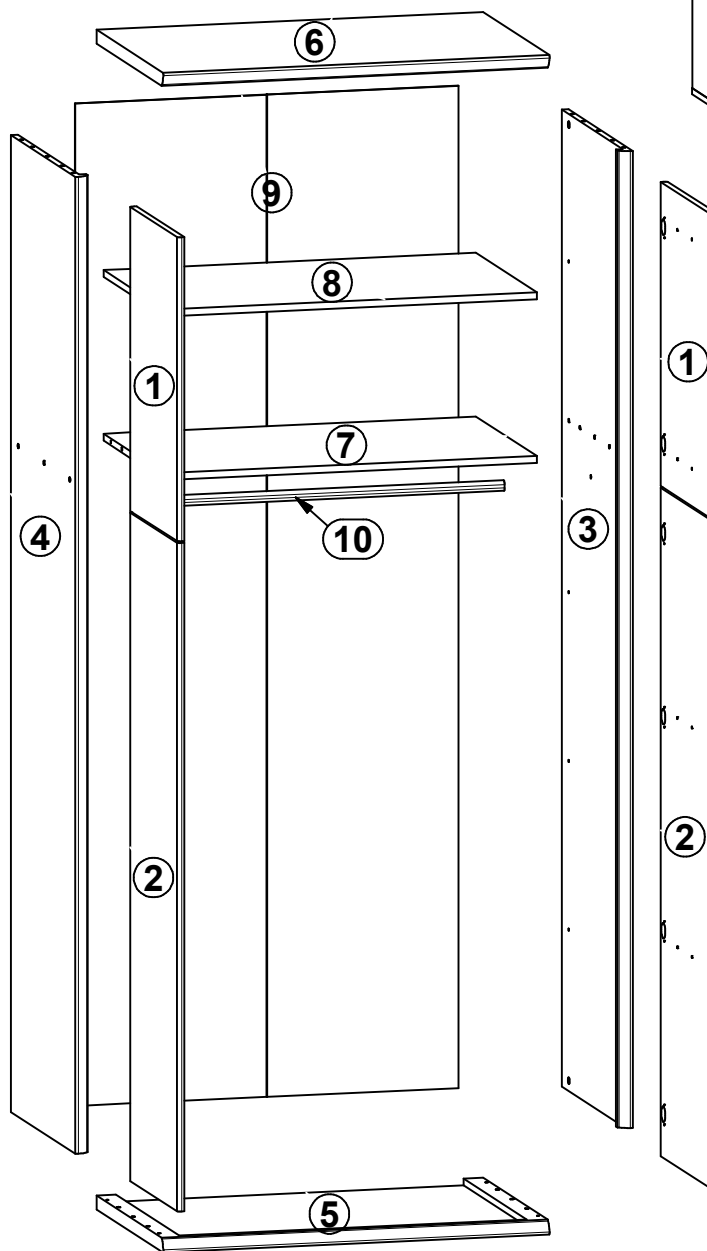
# TOM

# S29-Szafa\_90

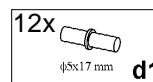
A	B	C	D
1	S29-012A	696	414 3/3
2	S29-013A	1530	414 3/3
3	S29-122	2236	562 1/3
4	S29-123	2236	562 1/3
5	S29-201	900	580 2/3
6	S29-202	900	580 2/3
7	S29-310	867	531 2/3
8	S29-316	867	531 2/3
9	S29-910	2294	893 1/3
10	dr-862	862	22 2/3

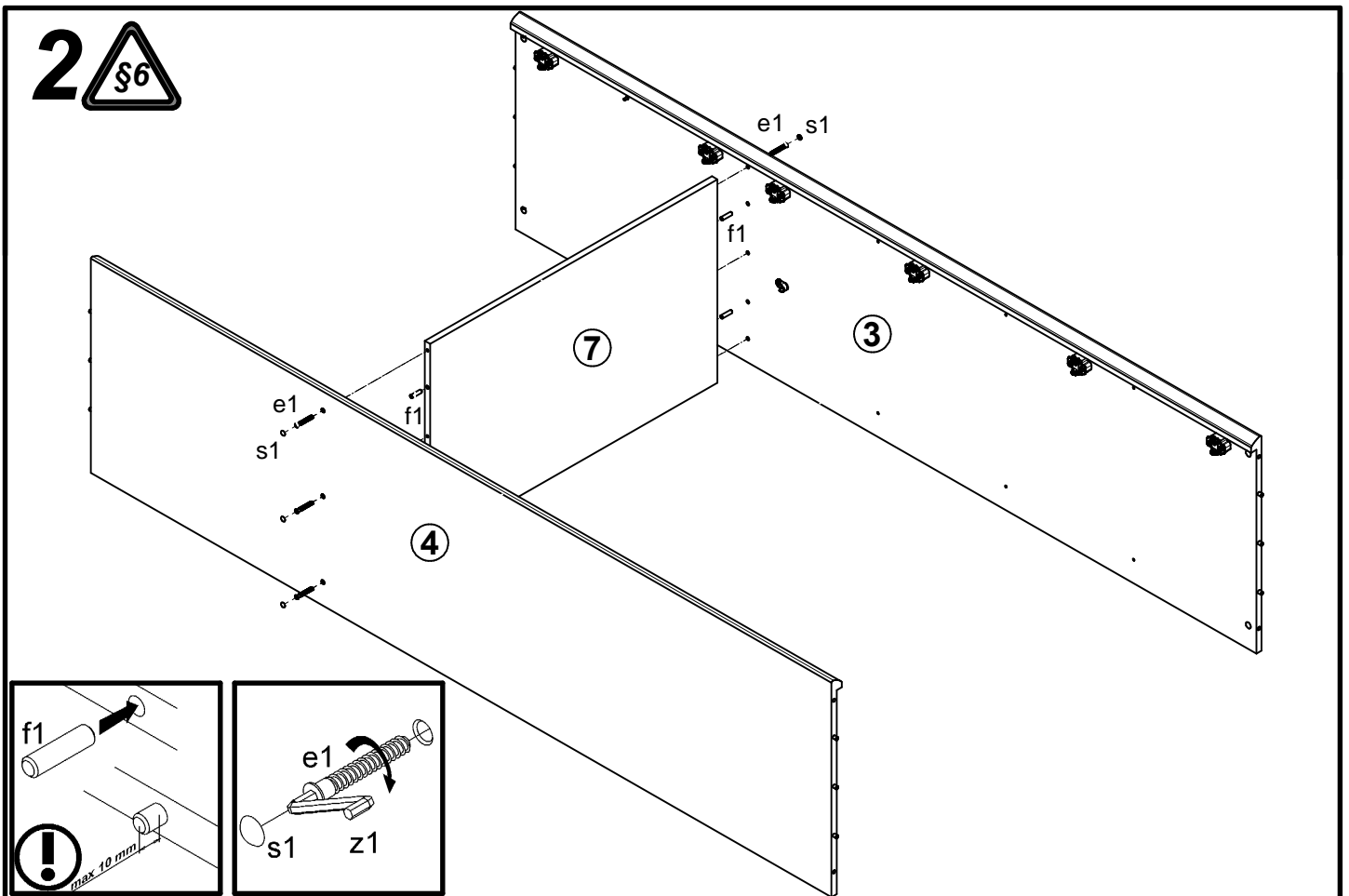
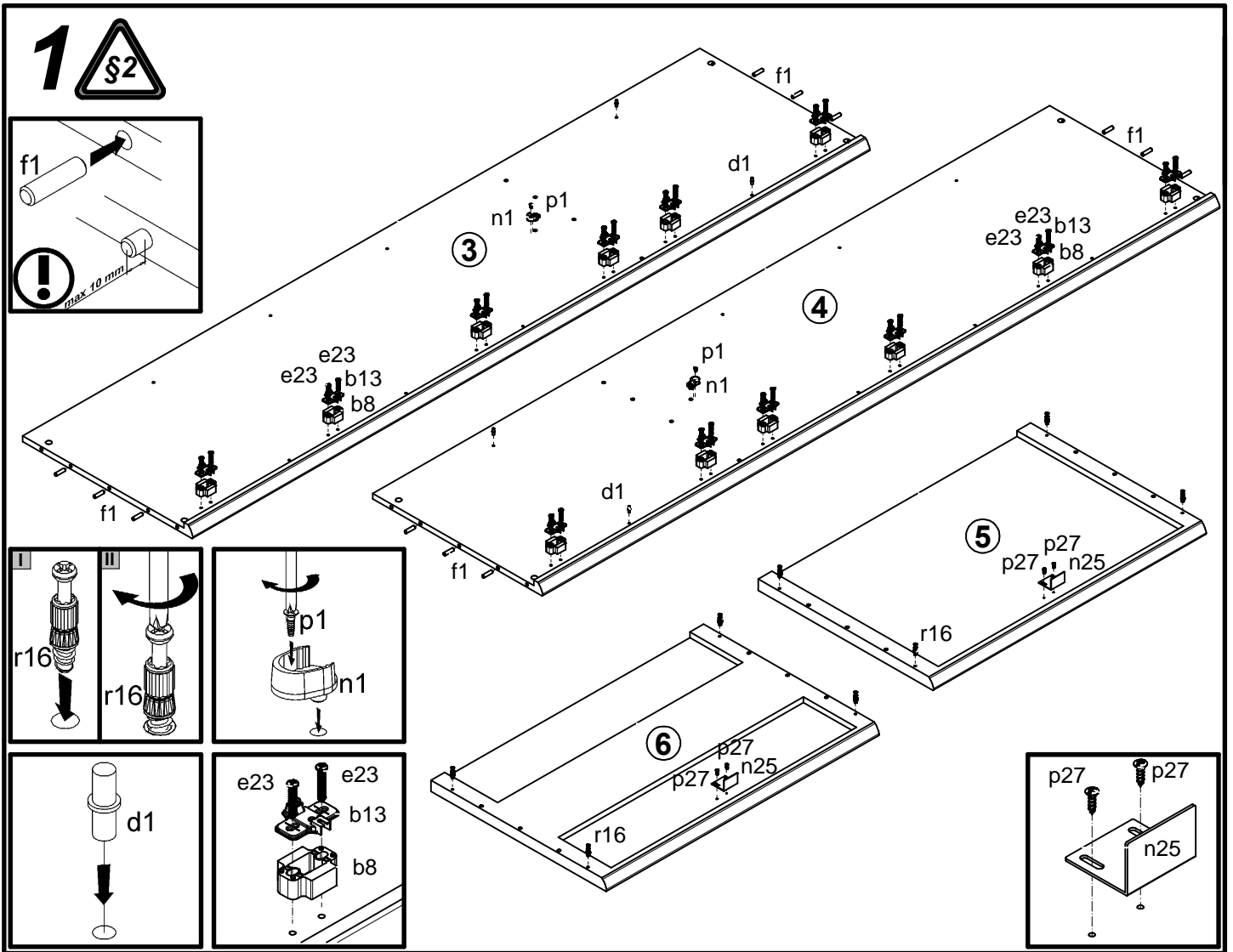


A	B	C	D
11	S29-316	867	531 1/1

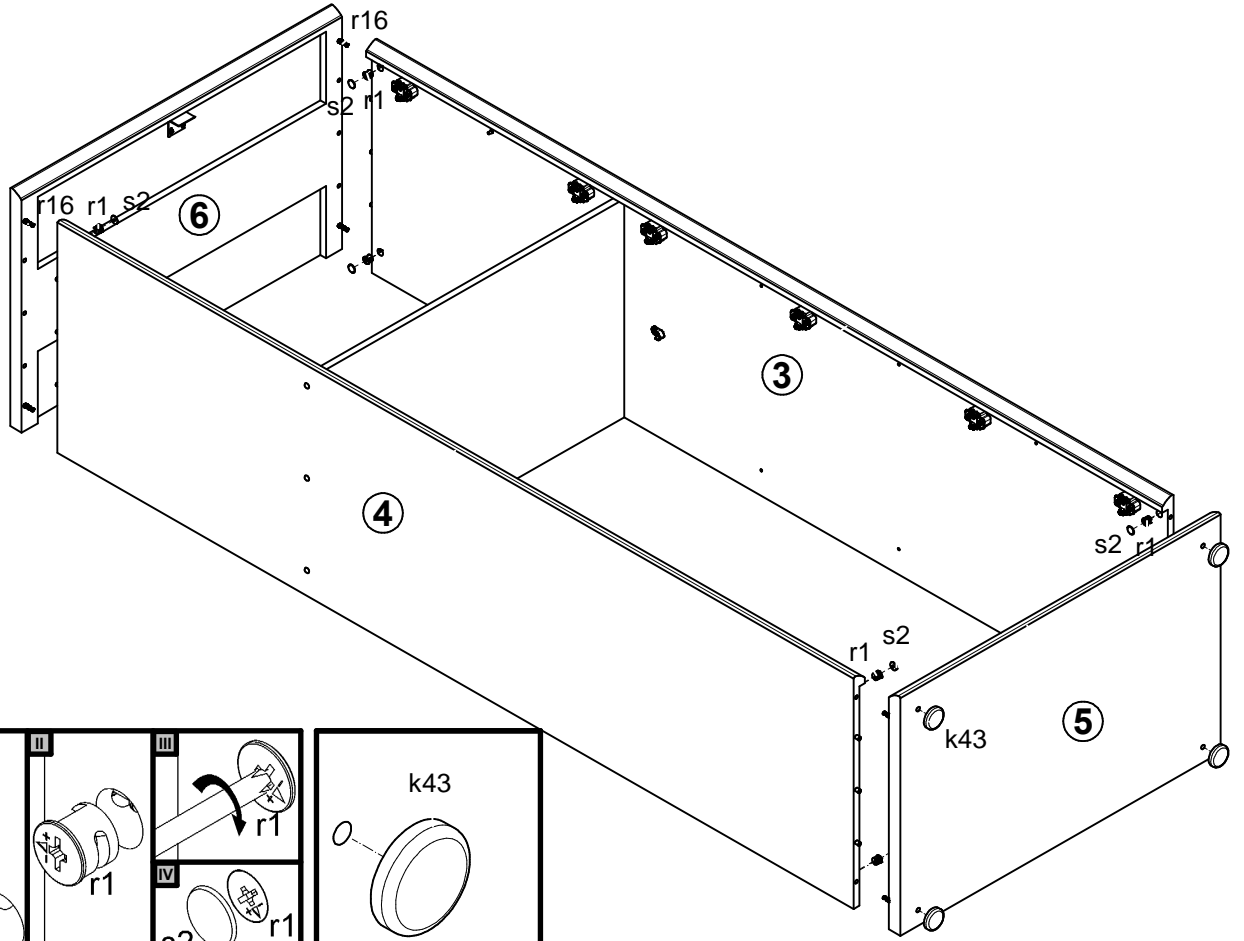


12x  a27	12x  b13	12x  b8	4x  c86 L=128 mm	4x  d1 φ5x17 mm	2x  d9	6x  e1 φ7x50 mm	24x  e23 φ6,3x30 mm	16x  f1 φ8x30 mm
4x  k43	72x  l1	2x  n1	2x  n25 40x46x30x1,5mm	2x  p1 φ3,5x13 mm	4x  p27 φ3,5x13 mm	24x  p51 φ3,5x15 mm	8x  p9 φ4x30 mm	8x  r1 φ1,5x12mm #16
8x  r16	6x  s1	8x  s2 ø16	1x  n26	1x  p38 φ3,5x16 mm	1x  z1			

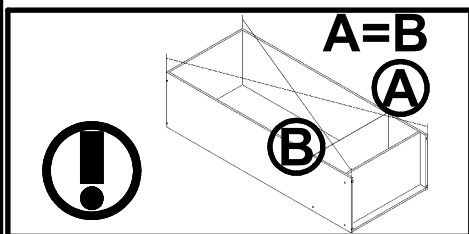
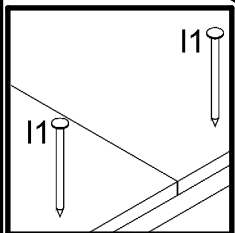
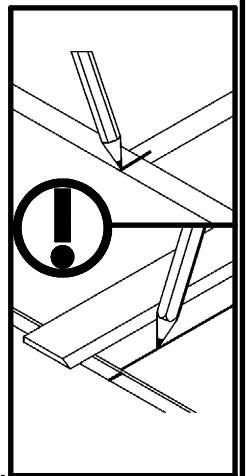
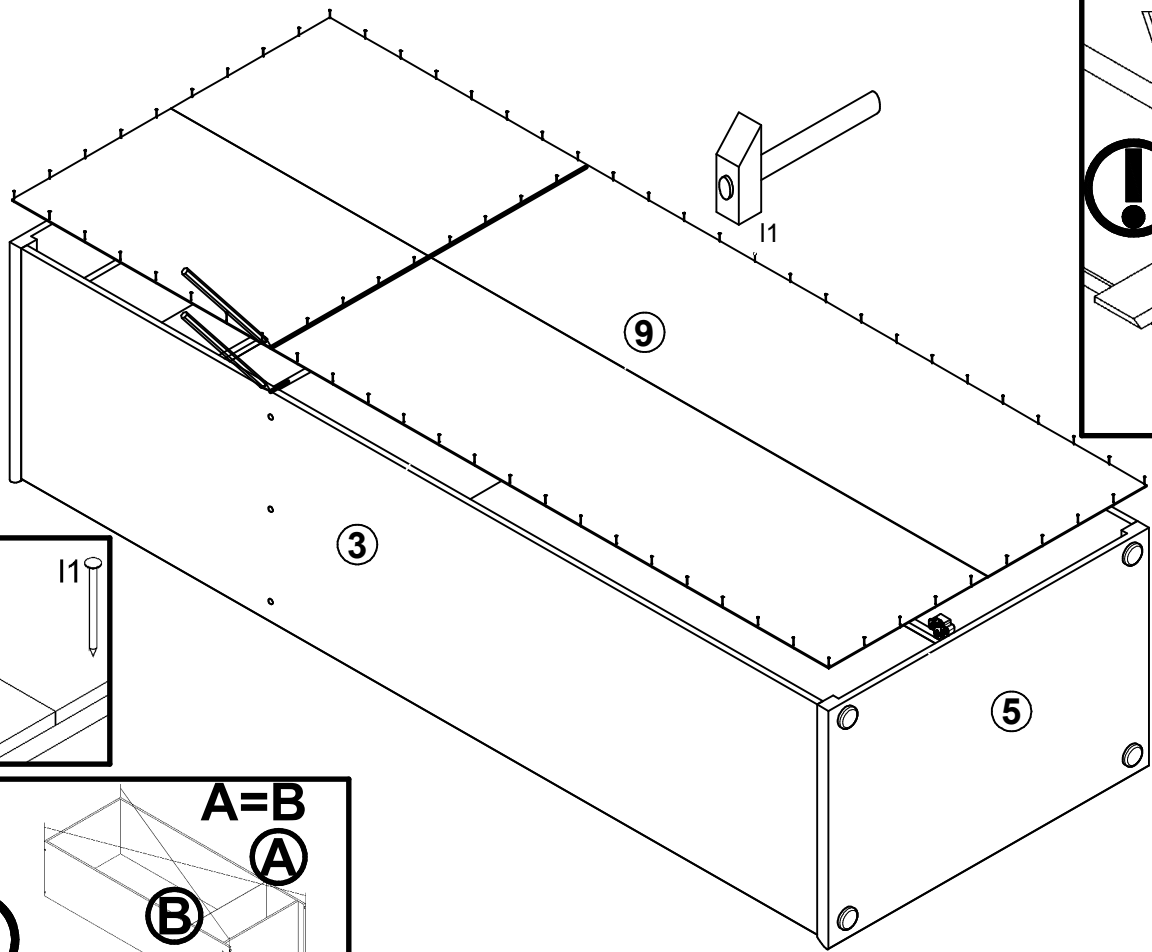




# 3



# 4



# 5

