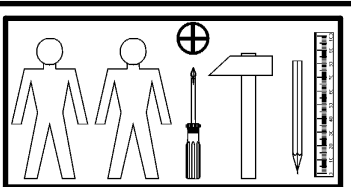
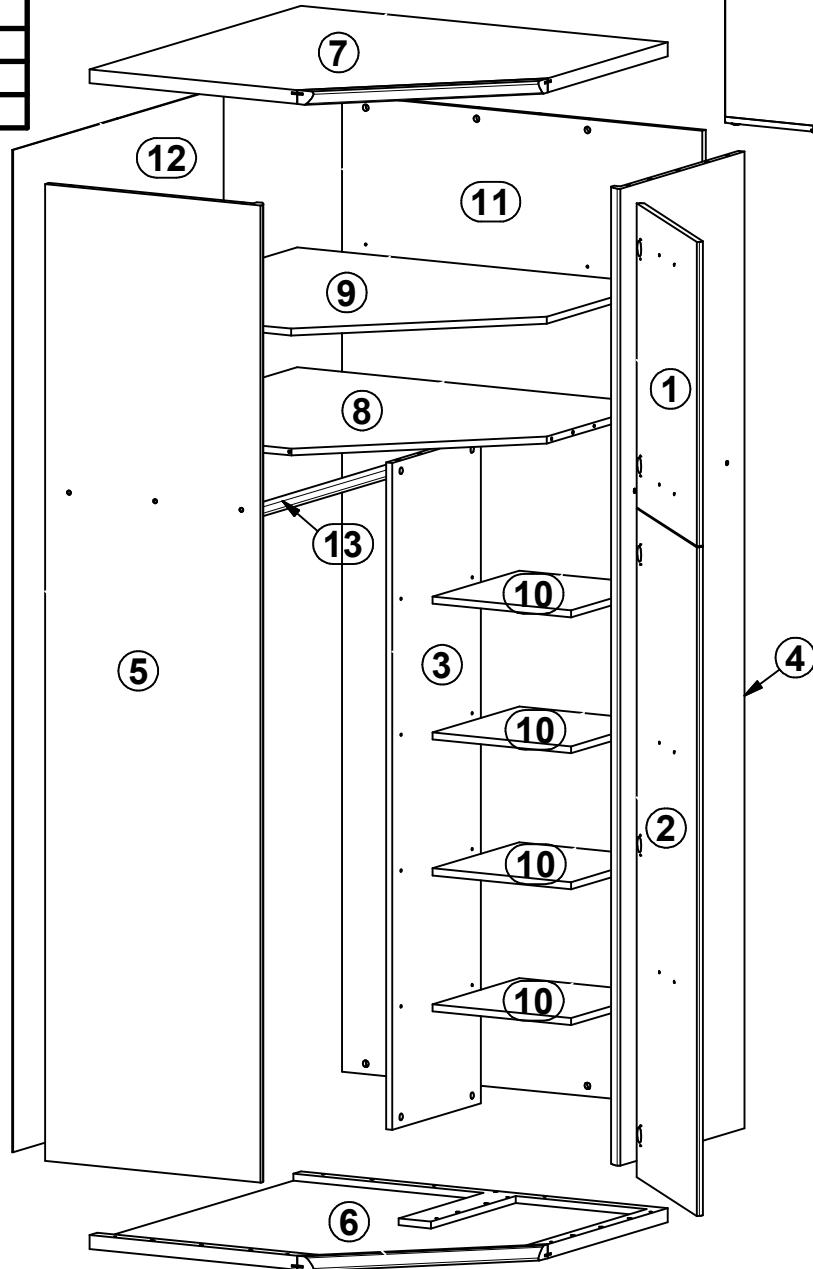
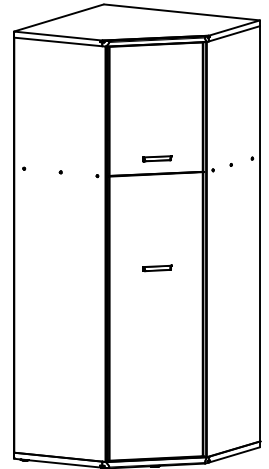
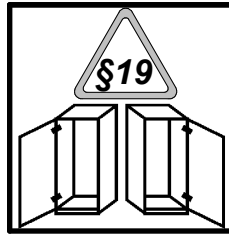


TOM

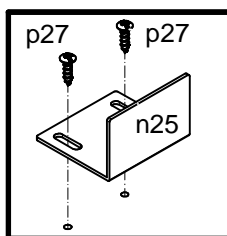
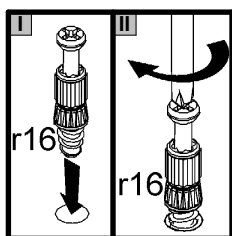
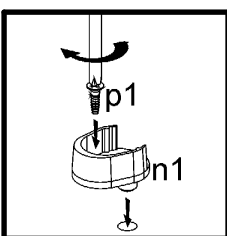
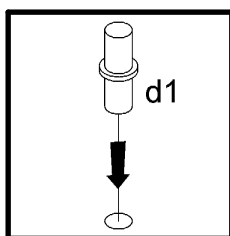
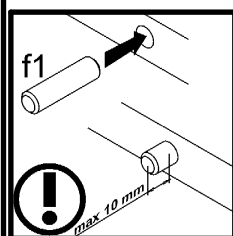
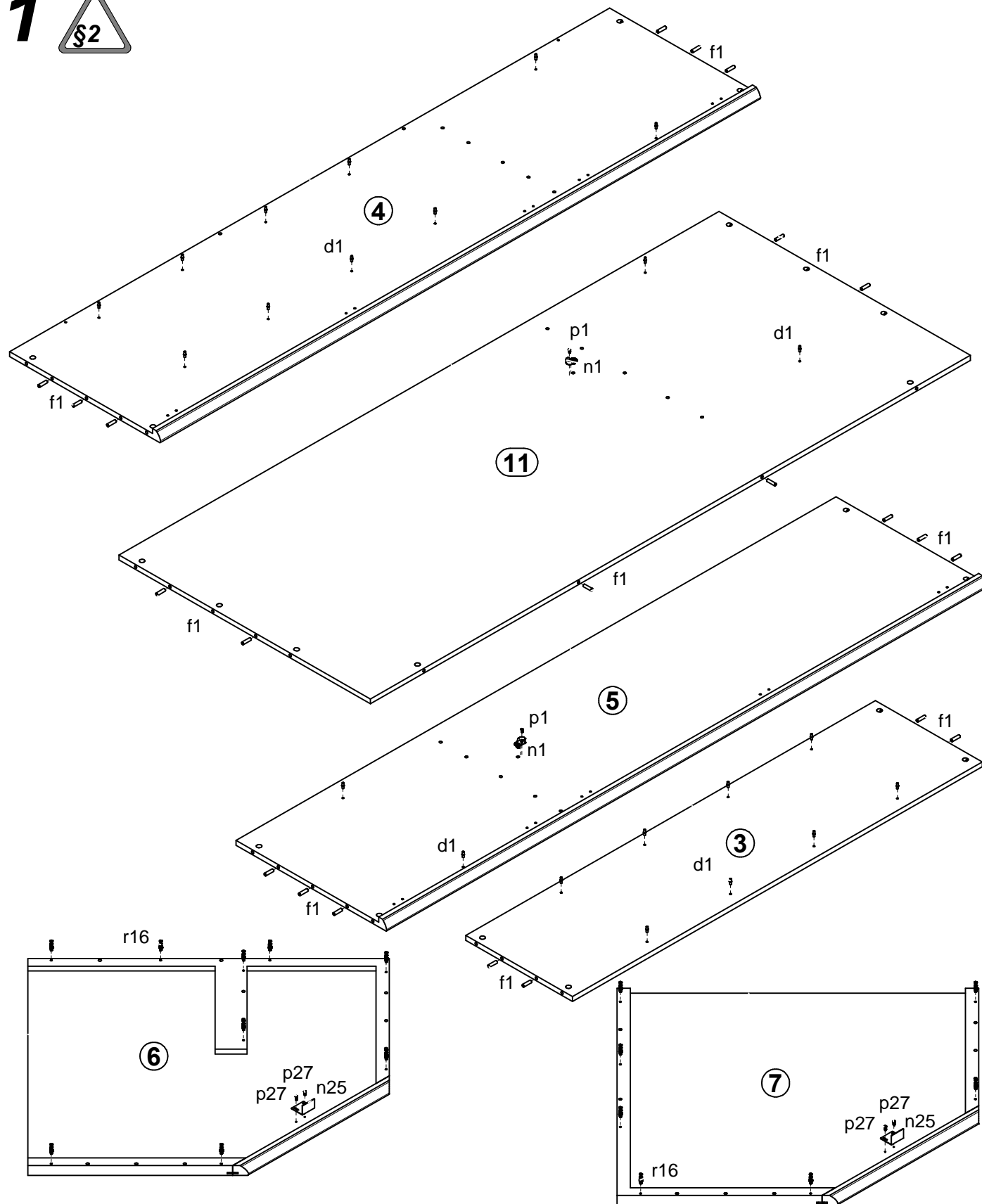
S29-szafa narożna symetryczna

A	B	C	D	
1	S29-014	696	522	5/5
2	S29-015	1530	522	5/5
3	S29-124	1527	398	4/5
4	S29-125	2236	562	1/5
5	S29-126	2236	562	1/5
6	S29-217	953	953	2/5
7	S29-218	953	953	2/5
8	S29-319	920	936,5	3/5
9	S29-320	920	936,5	3/5
10	S29-321	360	390	4/5
11	S29-404	2236	936	3/5
12	S29-921	2294	947	1/5
13	dr-912	912	30	4/5

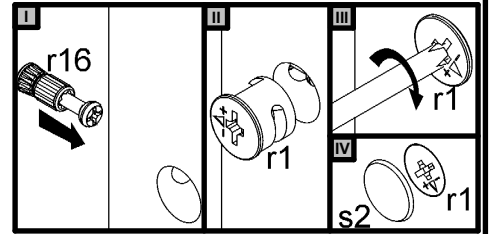
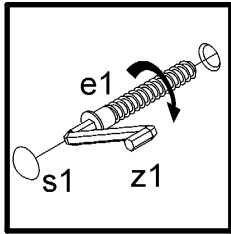
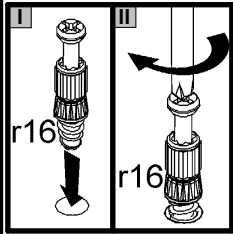
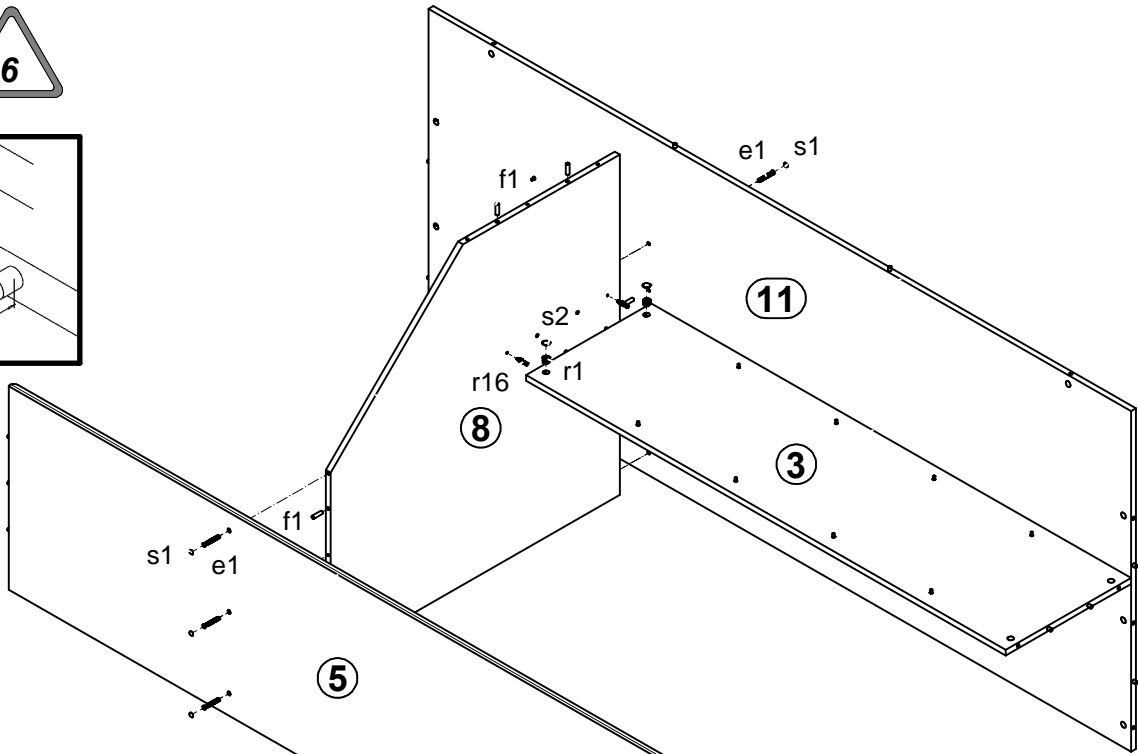
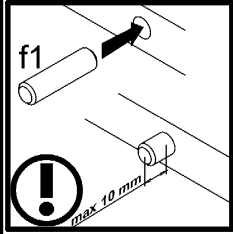


5x a46	5x b8	5x b9	2x c86	22x d1	9x e1	10x e23	28x f1	6x k43
75x l1	2x n1	2x n25	2x p1	4x p27	10x p51	4x p9	20x r1	20x r16
9x s1	20x s2	1x n26\1	1x p38	1x z1				

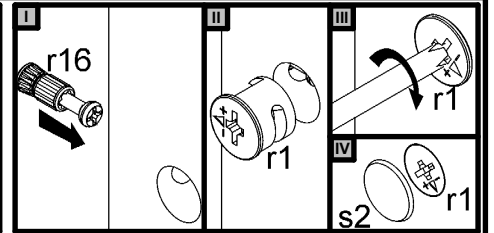
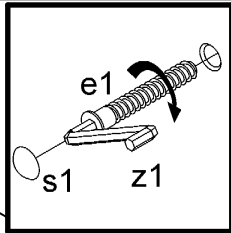
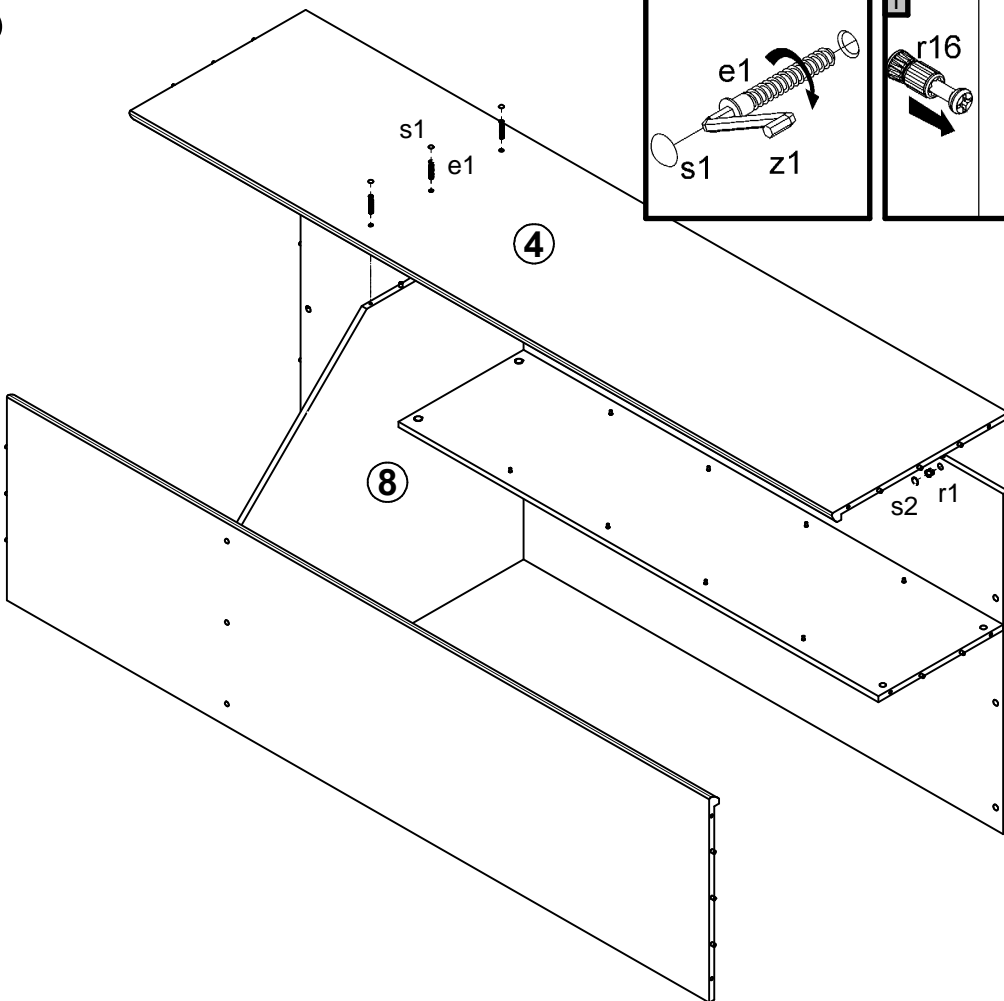
1

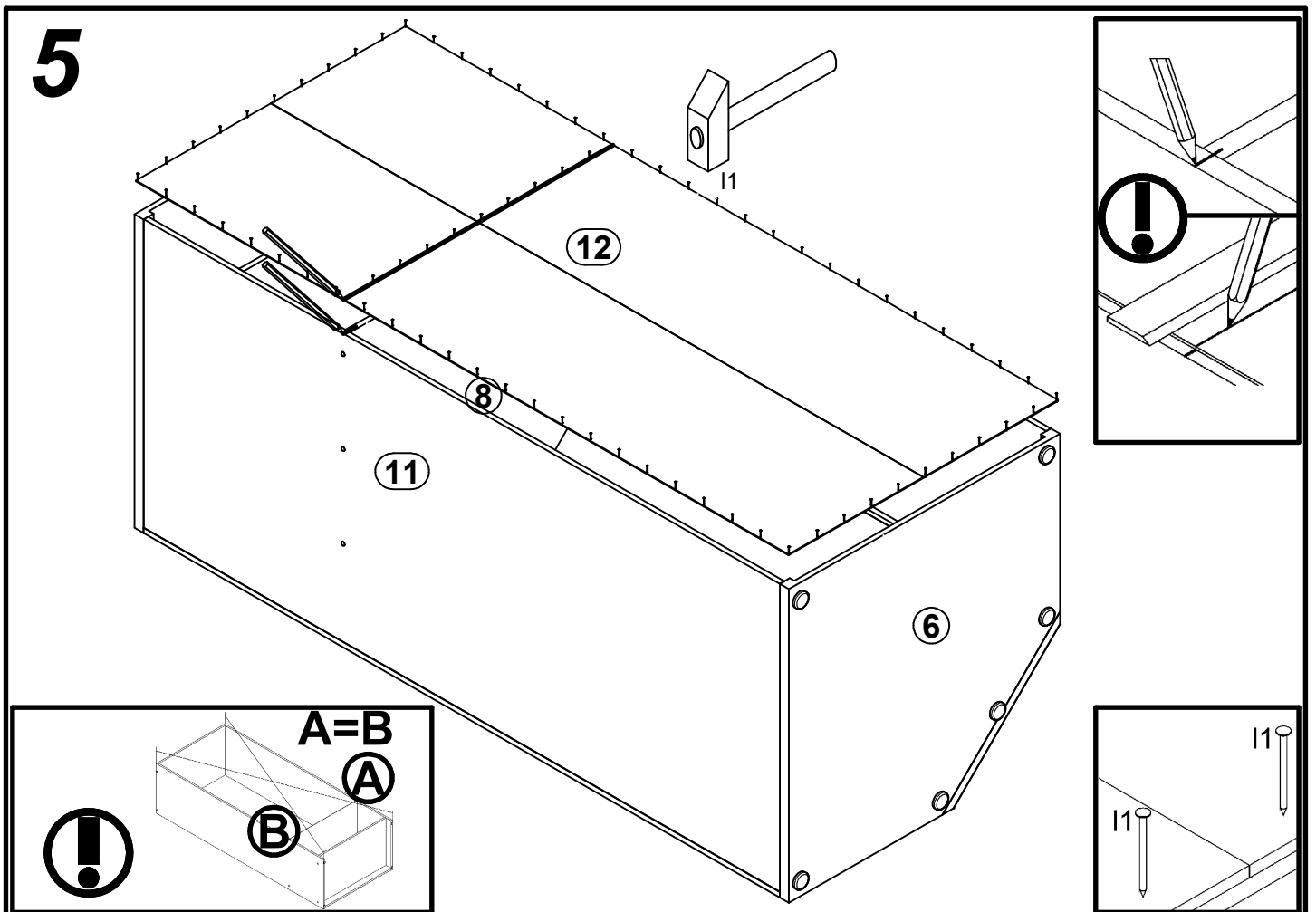
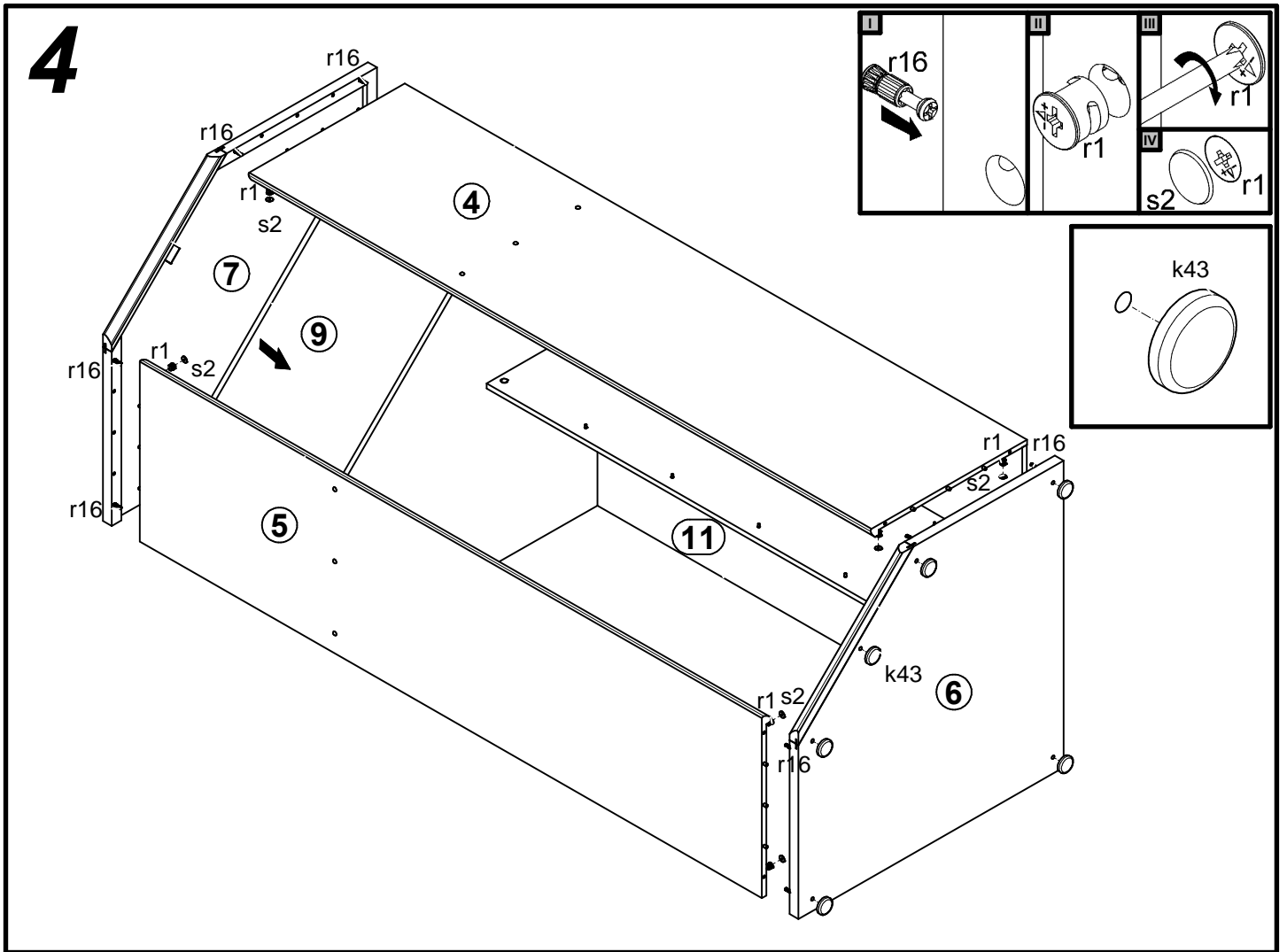


2



3





6

