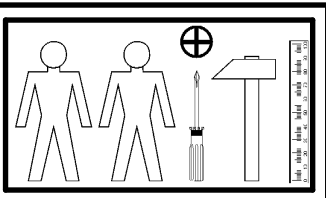
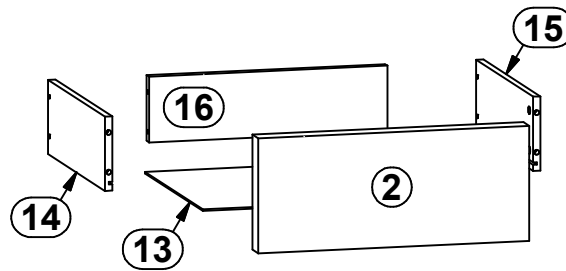
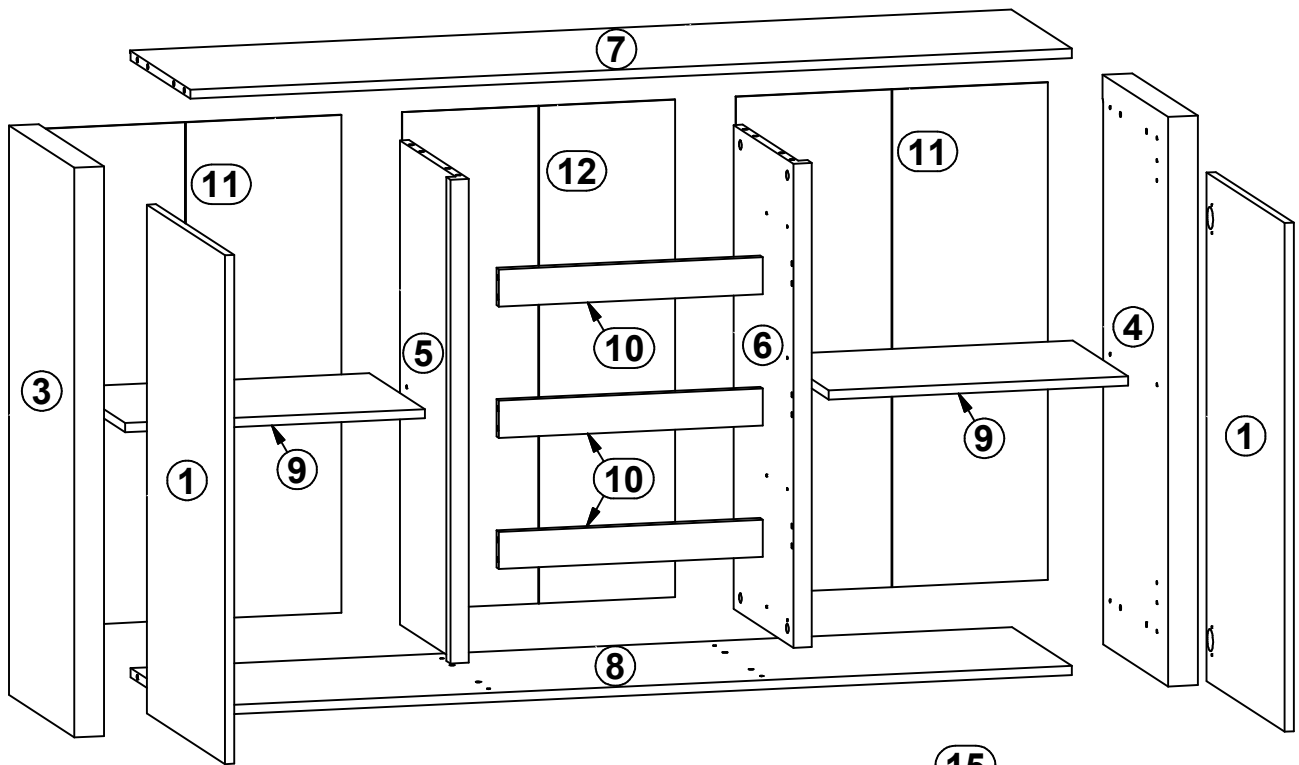
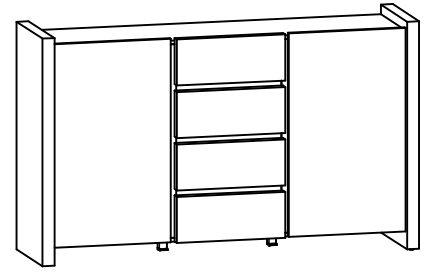


# VENOM MIX

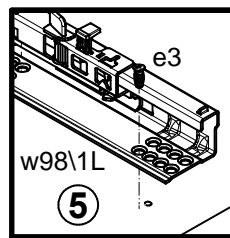
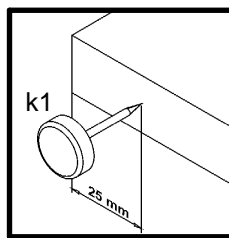
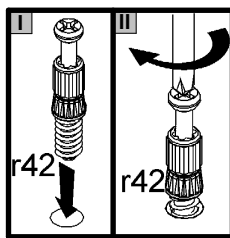
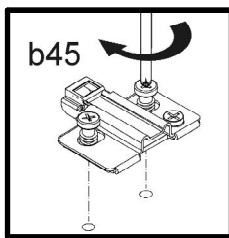
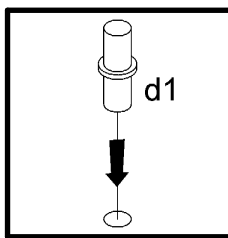
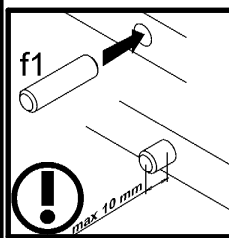
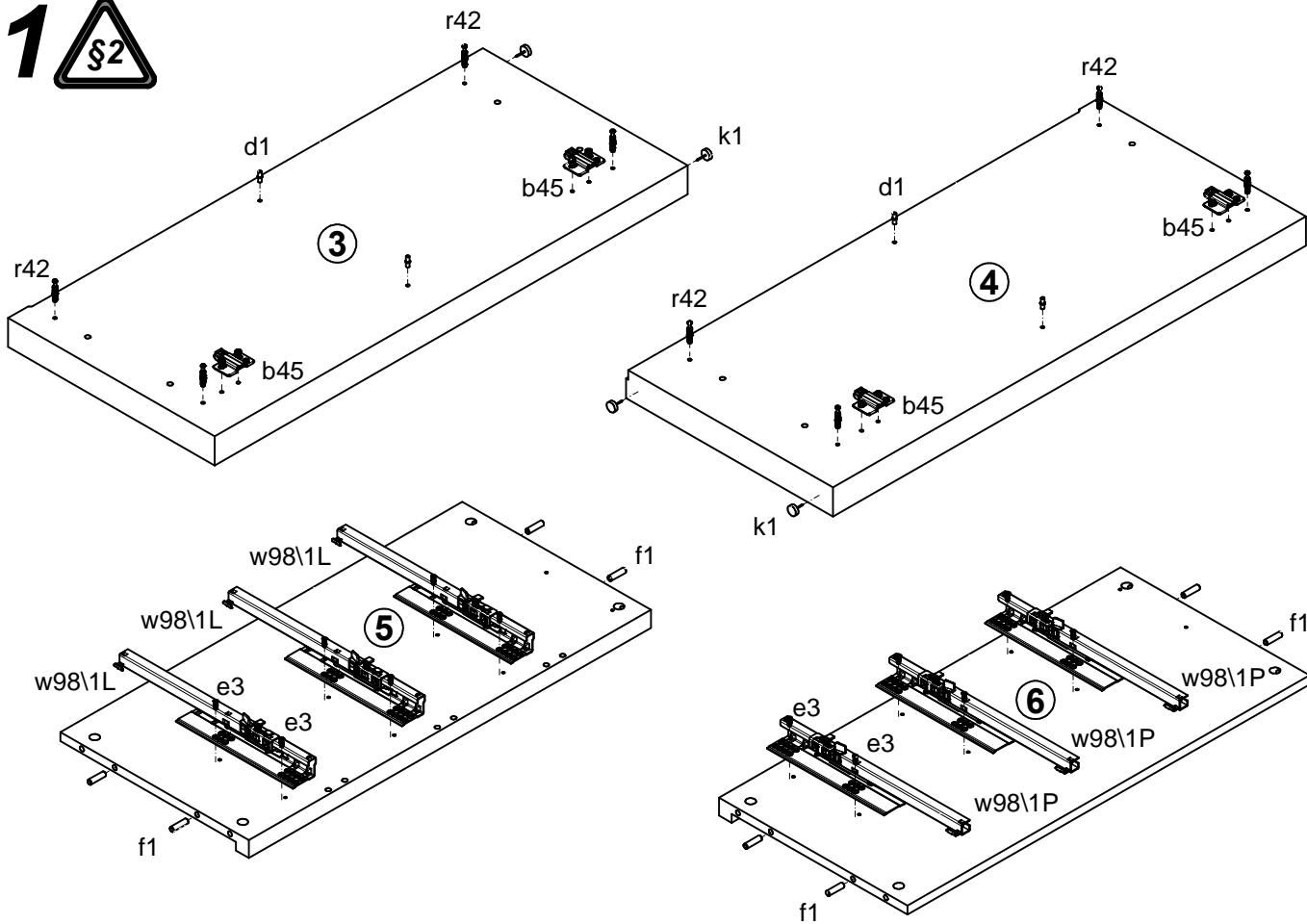
## S192-KOM2D4S

A	B	C	D
1	S192-005	822	480
2	S192-006	446	186
3	S139-133	920	402
4	S139-134	920	402
5	S139-135	782	367
6	S139-136	782	367
7	S139-324	1450	371
8	S139-325	1450	367
9	S139-326	493	341
10	S139-414	434	60
11	S139-913	804	513
12	S139-914	804	449
13	S139-916	403	356
14	ZT1-501	350	120
15	ZT1-502	350	120
16	ZT1-508	392	106

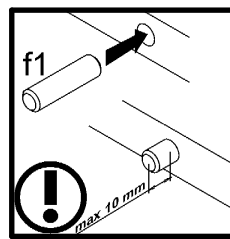
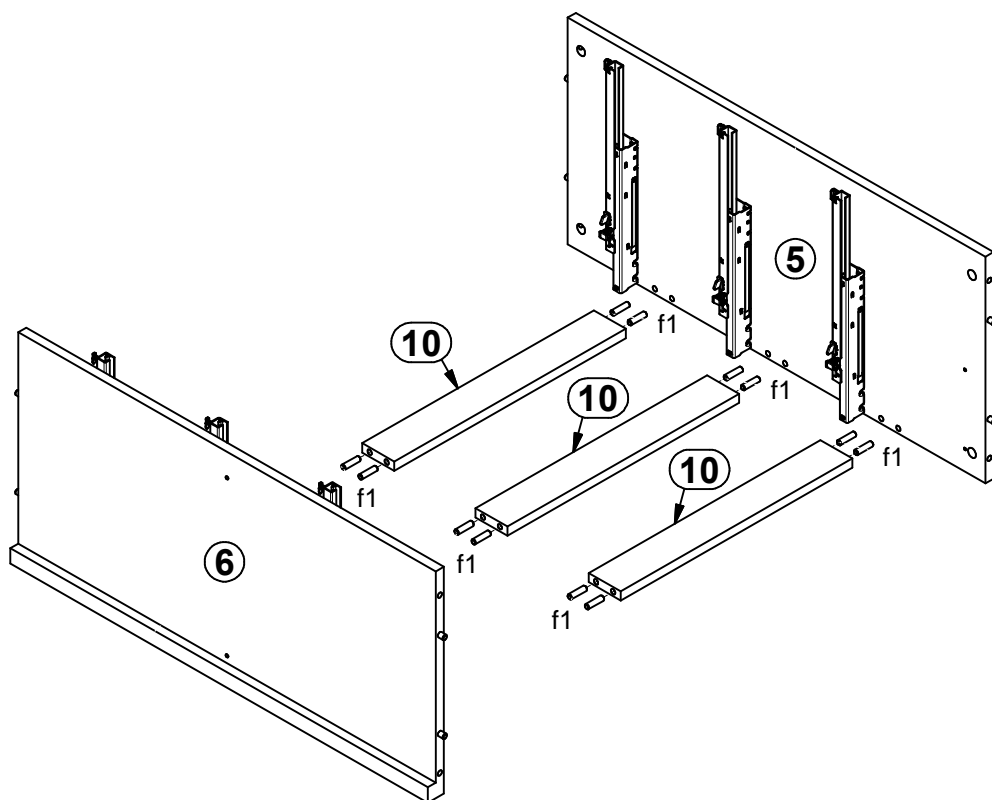


4x  c94	4x  a101	4x  b45	8x  Ø5x17 mm d1	2x  Ø6,3x13 mm e2	16x  Ø6x13 mm e3	28x  Ø8x30 mm f1	16x  Ø6,5x40 mm f25	4x  k1	
2x  k38\3	2x  k38\8	80x  l1	20x  Ø3,5x16 mm p38	8x  Ø3,5x15 mm p51	16x  Ø15x12 mm #16 r1	16x  Ø12x10,5 mm #12 r15	32x  r42	4x  360 mm w98\1L	
4x  360 mm w98\1P	1x  n26\1	1x  Ø3,5x16 mm p38							

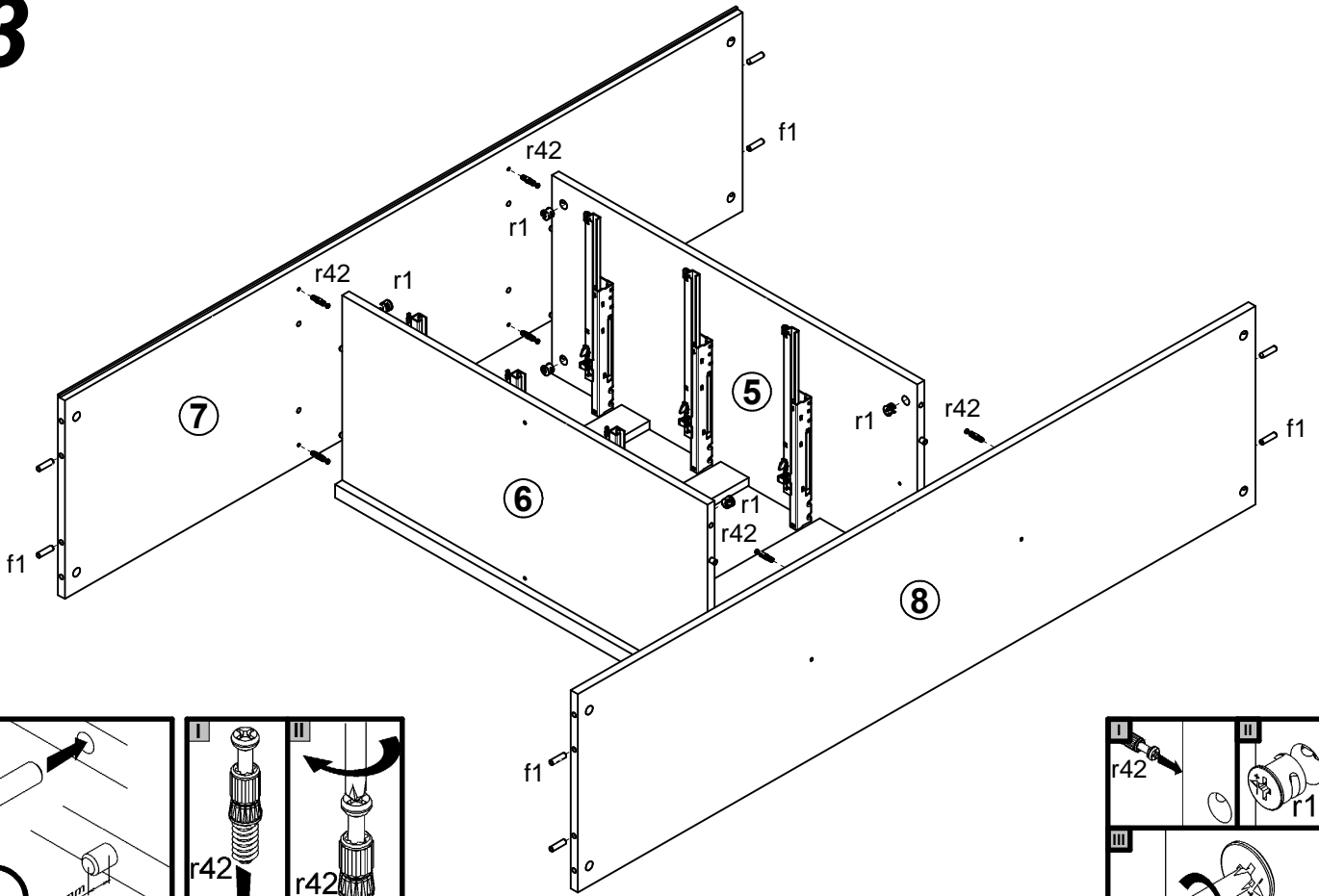
# 1



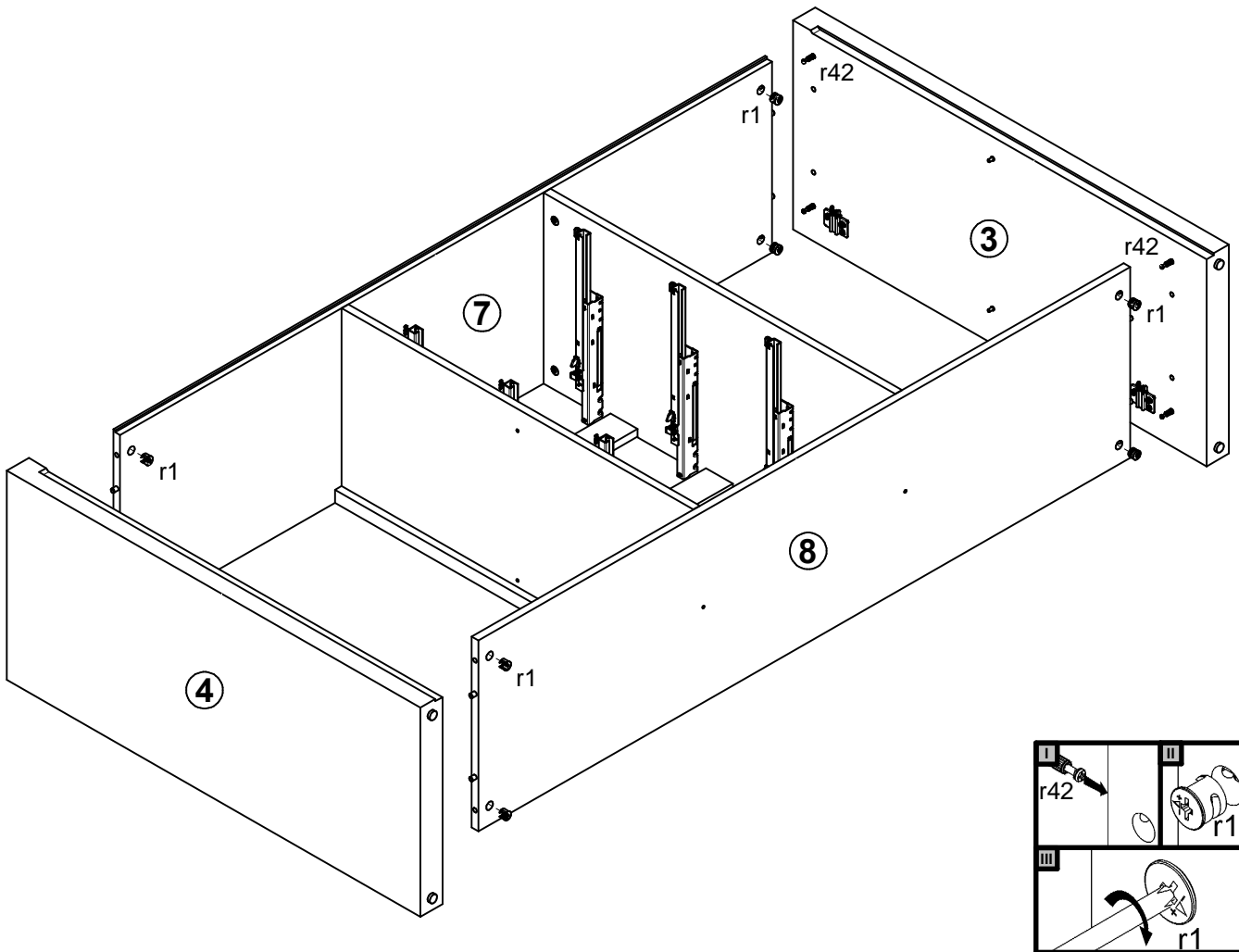
# 2



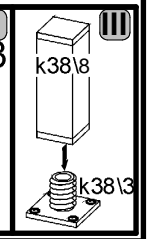
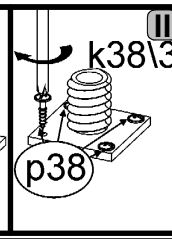
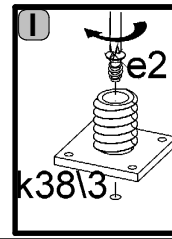
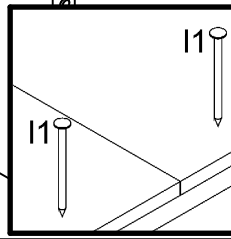
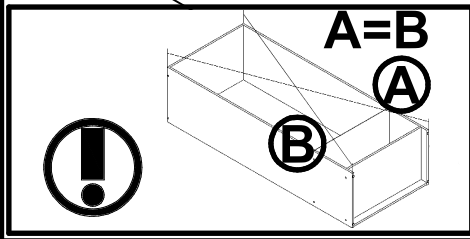
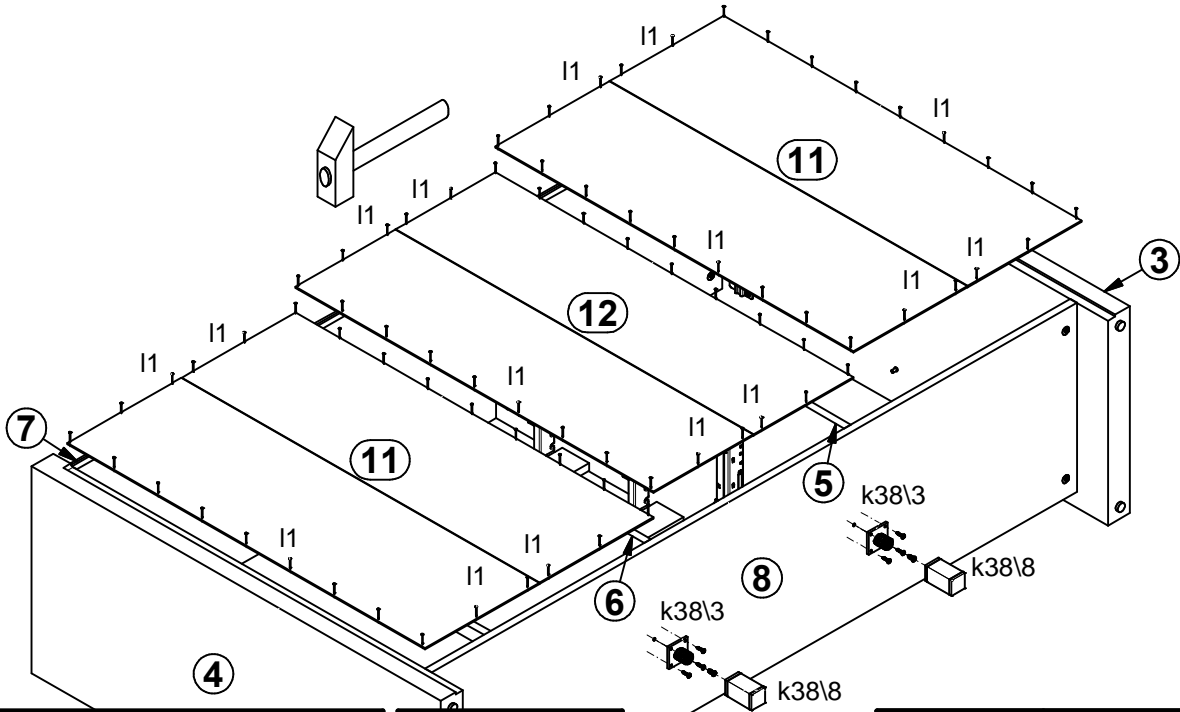
# 3



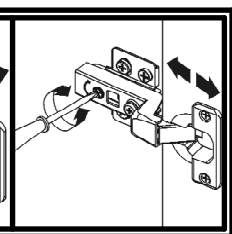
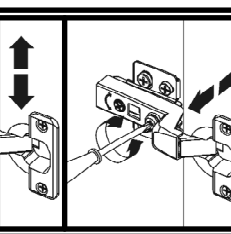
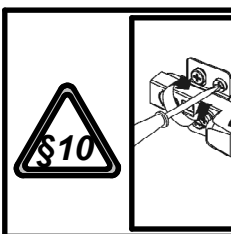
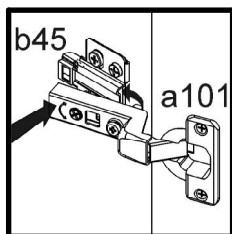
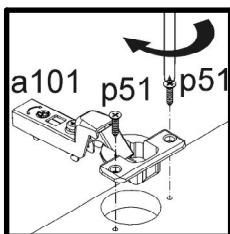
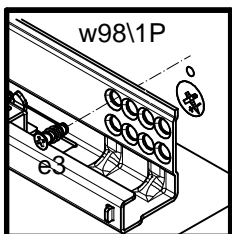
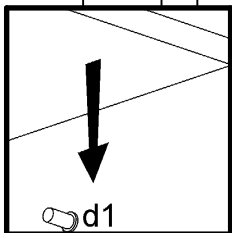
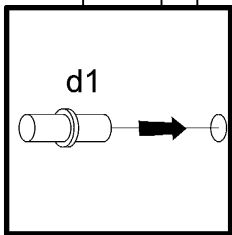
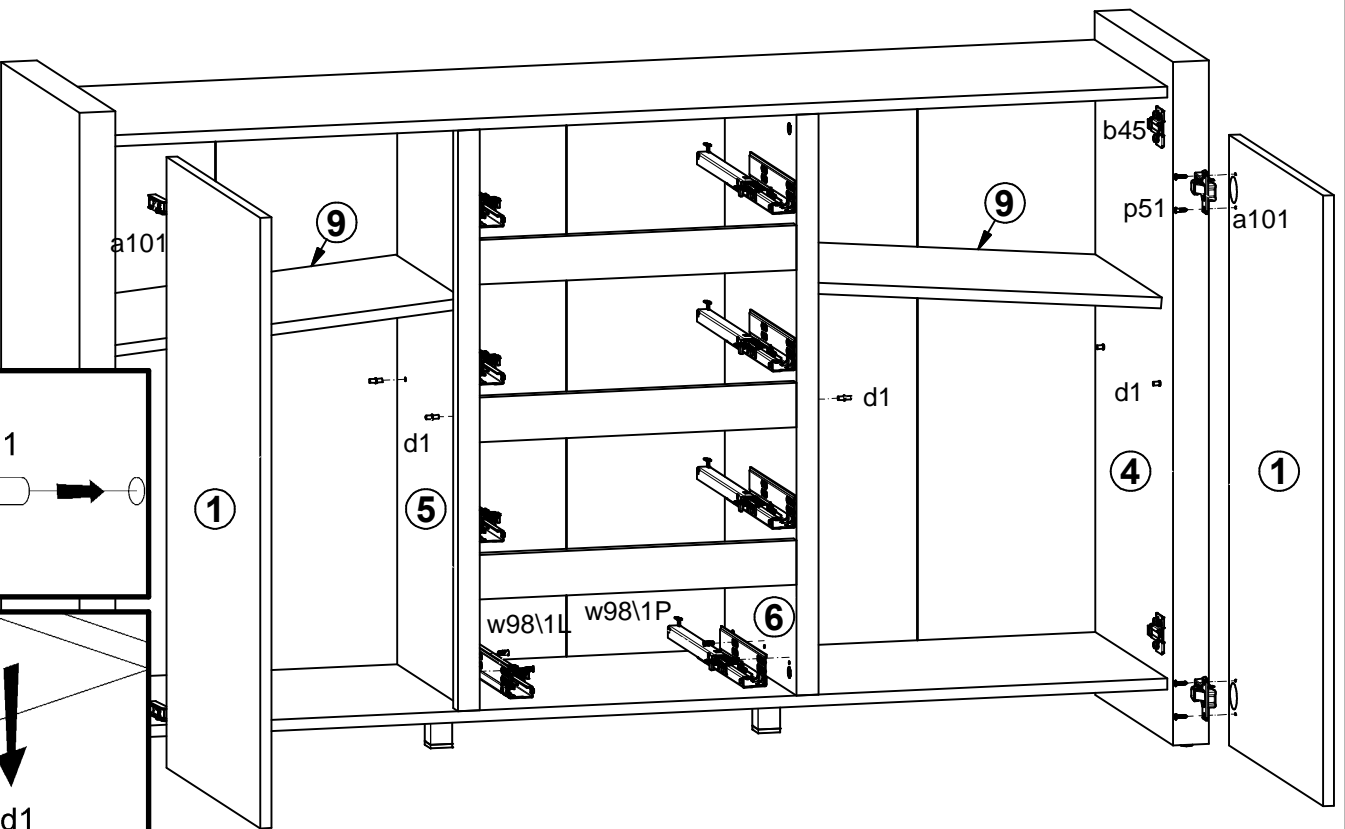
# 4



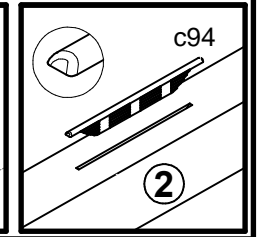
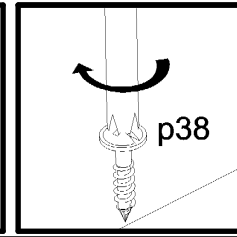
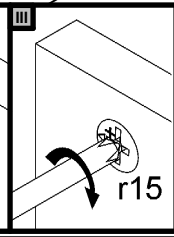
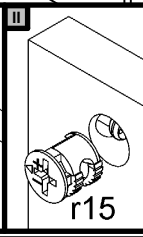
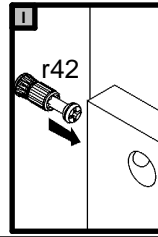
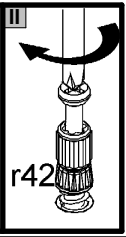
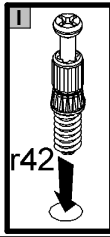
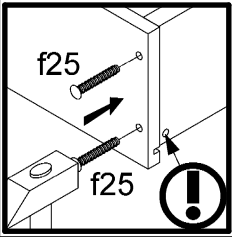
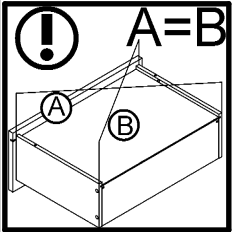
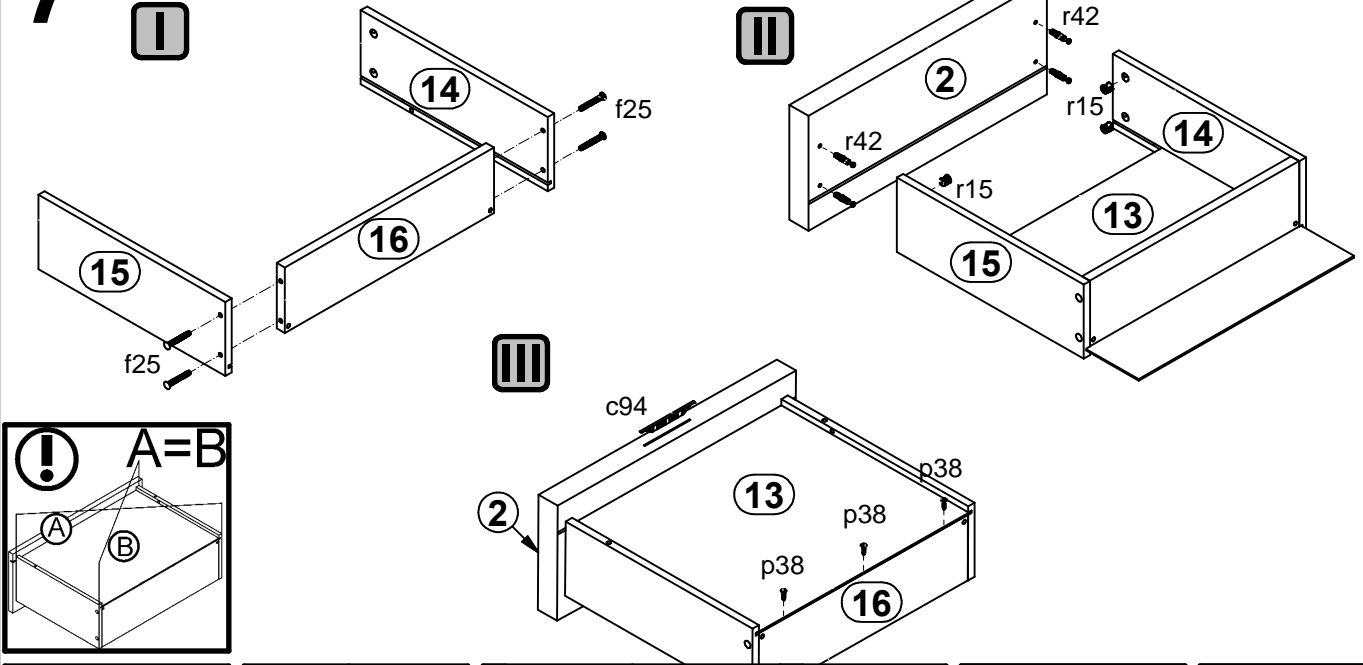
# 5



# 6



# 7



# 8

