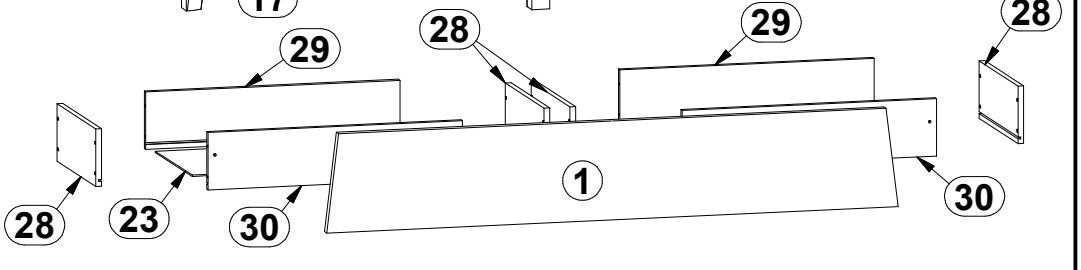
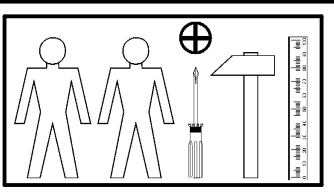
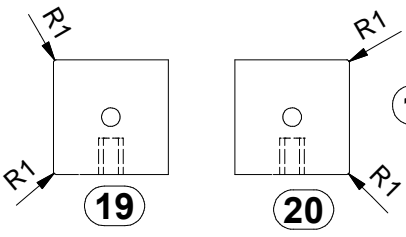
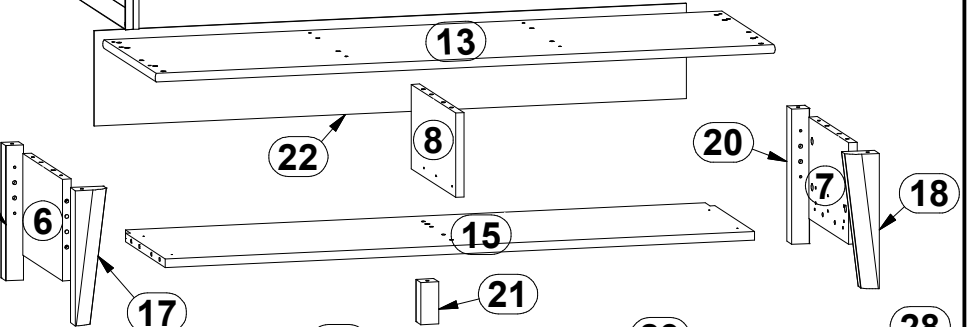
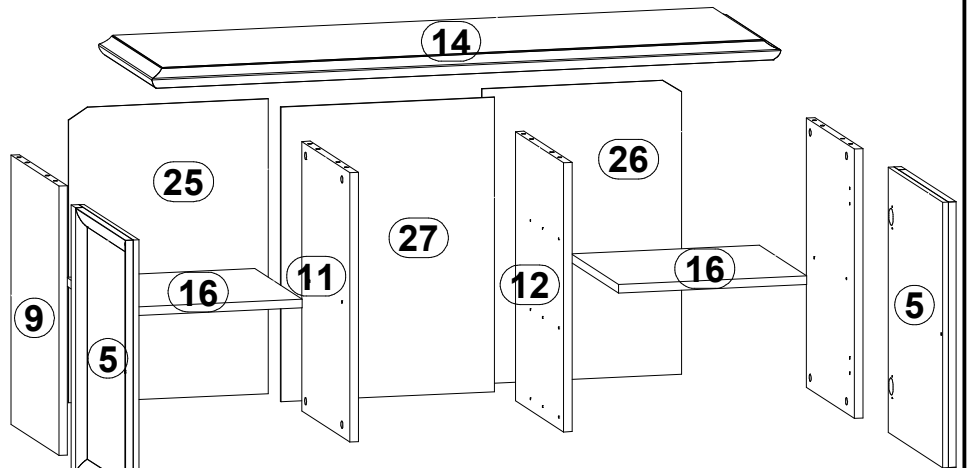
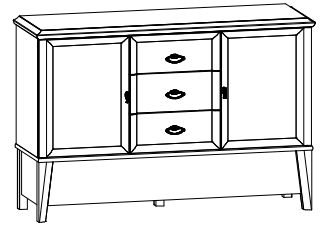
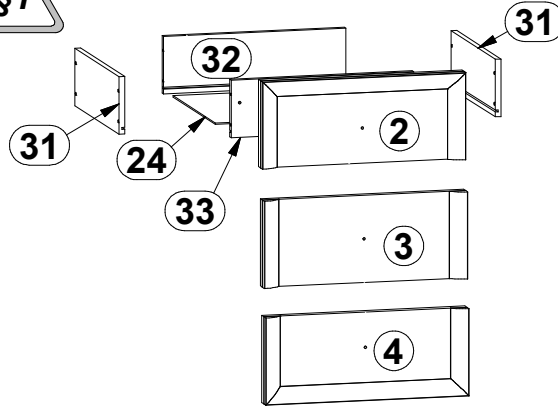
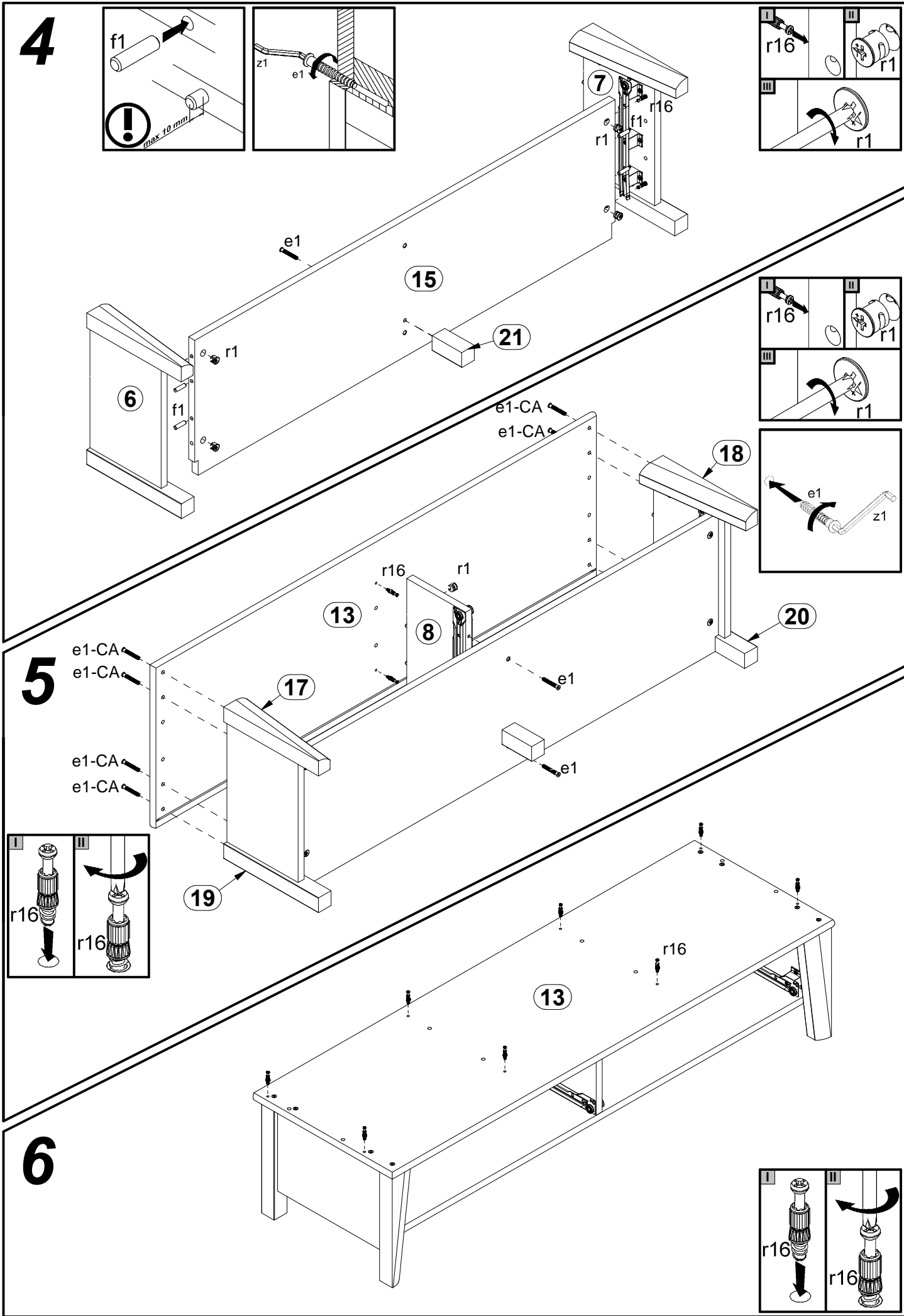


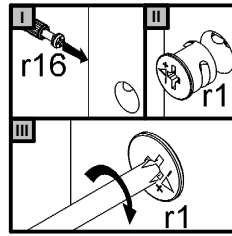
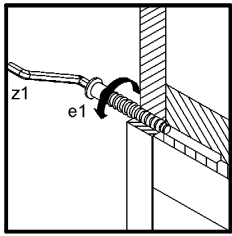
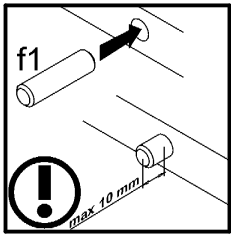
A	B	C	D	
1	S63-001	1214	206	2/5
2	S63-034	432	182	5/5
3	S63-035	432	182	5/5
4	S63-036	432	182	5/5
5	S63-039	554	432	5/5
6	S63-101	212	314	1/5
7	S63-102	212	314	1/5
8	S63-106	176	352	1/5
9	S63-137	562	381	1/5
11	S63-139	562	381	1/5
12	S63-140	562	381	1/5
13	S63-217	1318	415	3/5
14	S63-263	1336	424	3/5
15	S63-301	1252	352	2/5
16	S63-305	400	376	1/5
17	S63-571	282	70	4/5
18	S63-572	282	70	4/5
19	S63-573	282	38	4/5
20	S63-574	282	38	4/5
21	S63-597	88	38	4/5
22	S63-904	1258	199	2/5
23	S63-905	551	293	2/5
24	S63-939	398	335	2/5
25	S63-940	615	424	3/5
26	S63-941	615	424	3/5
27	S63-942	615	454	3/5
28	ZS1-1507	308	120	1/5
29	ZS1-1510	540	120	1/5
30	ZS1-1511	540	120	1/5
31	ZS1-1512	350	120	1/5
32	ZS1-1530	387	120	1/5
33	ZS1-1531	387	120	1/5



4x a44	4x b33	2x c218/2	2x c218/4	3x c219	8x φ5x17 mm d1	3x φ7x50 mm e1	8x φ7x50 mm e1-CA	20x φ6,3x13 mm e2
27x φ6x13 mm e3	40x φ5x50 mm e32	36x φ8x30 mm f1	10x M4x20 mm j1	3x M4x22 mm j60	2x M4x32 mm j73	85x 	20x φ2,5x13 mm p15	8x φ3,5x15 mm p51
3x φ3x12 mm p54	30x φ1,5x12mm #16 r1	30x r16	10x φ2,1x10mm r31	16x φ16 s2	2x 300 mm w37/CL	2x 300 mm w37/CR	2x 300 mm w37/DL	2x 300 mm w37/DR
3x 350 mm w45/CL	3x 350 mm w45/CR	3x 350 mm w45/DL	3x 350 mm w45/DR	6x h=28 mm w56	1x 	1x 	1x φ3,5x16 mm p38	



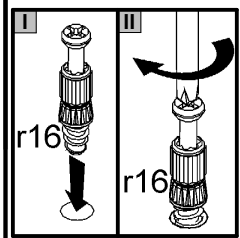
4



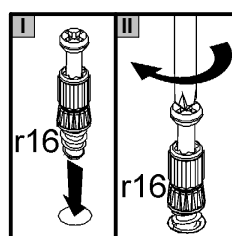
5

e1-CA
e1-CA

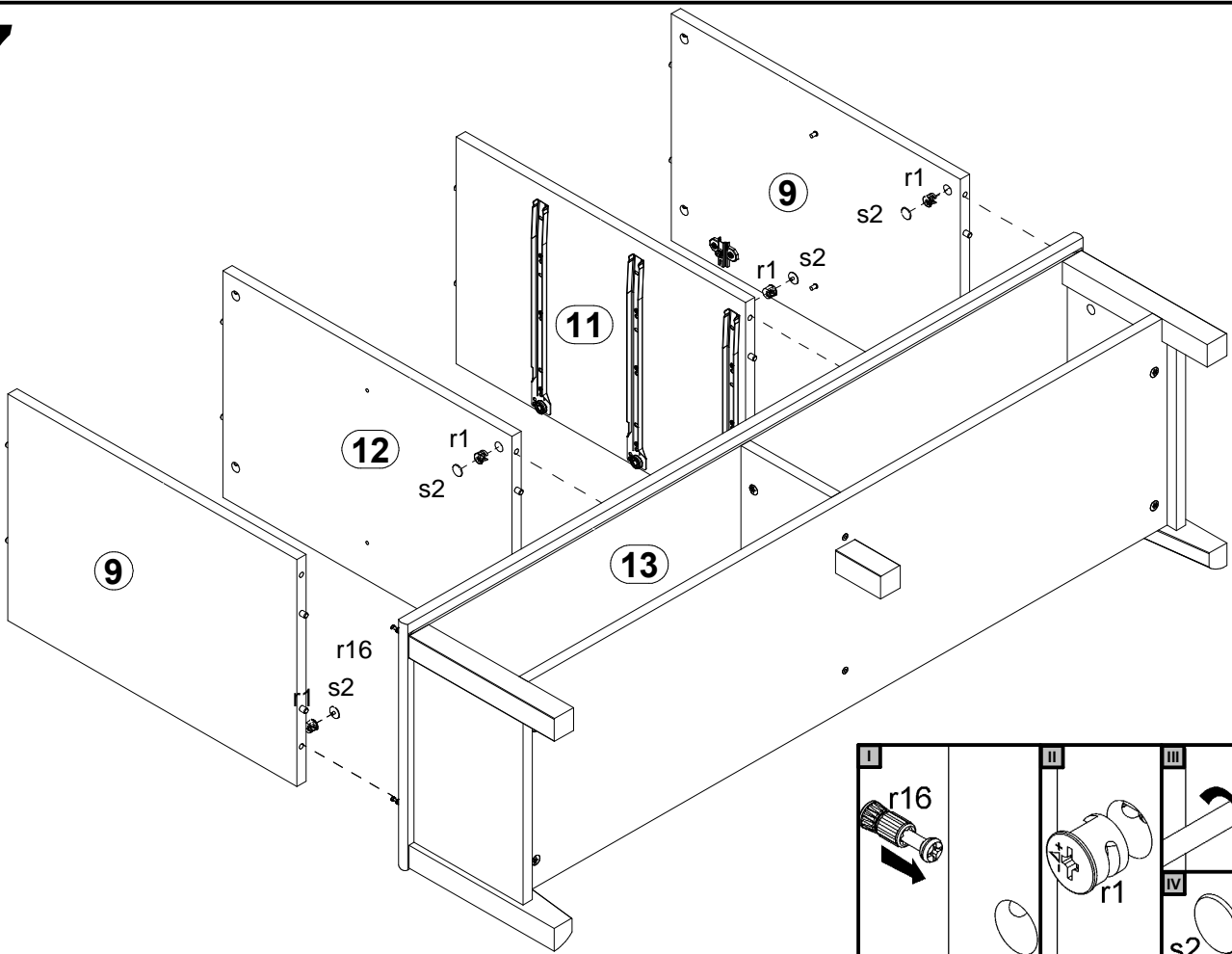
e1-CA
e1-CA



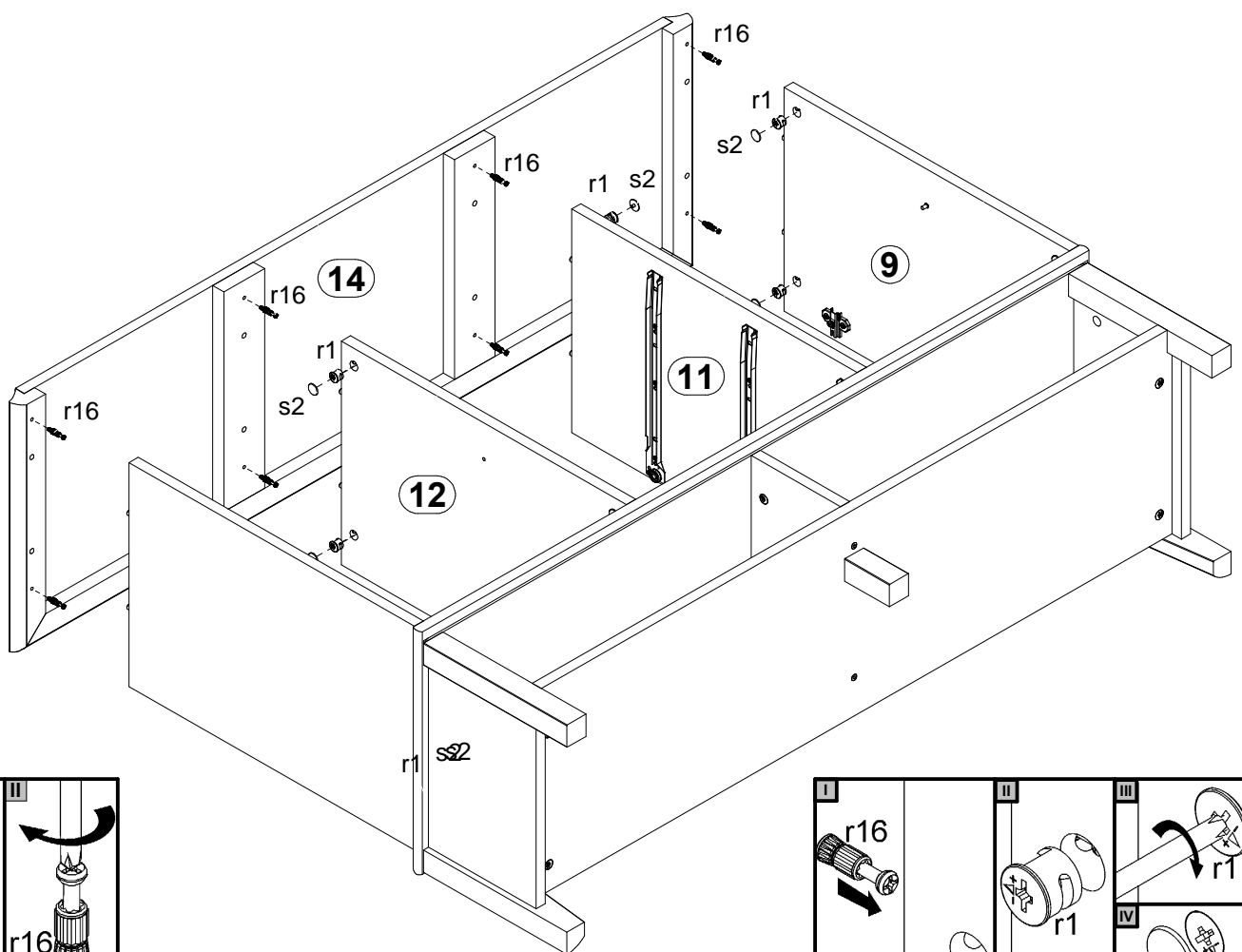
6



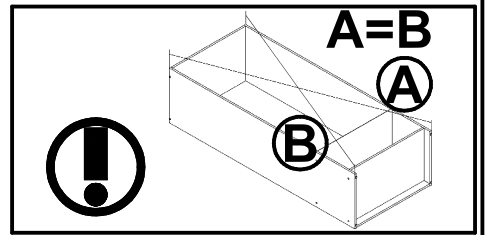
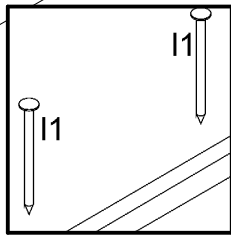
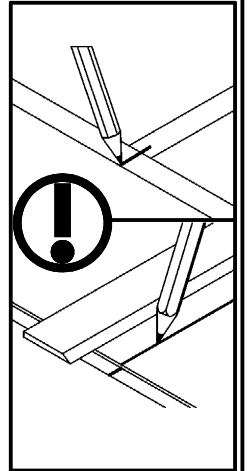
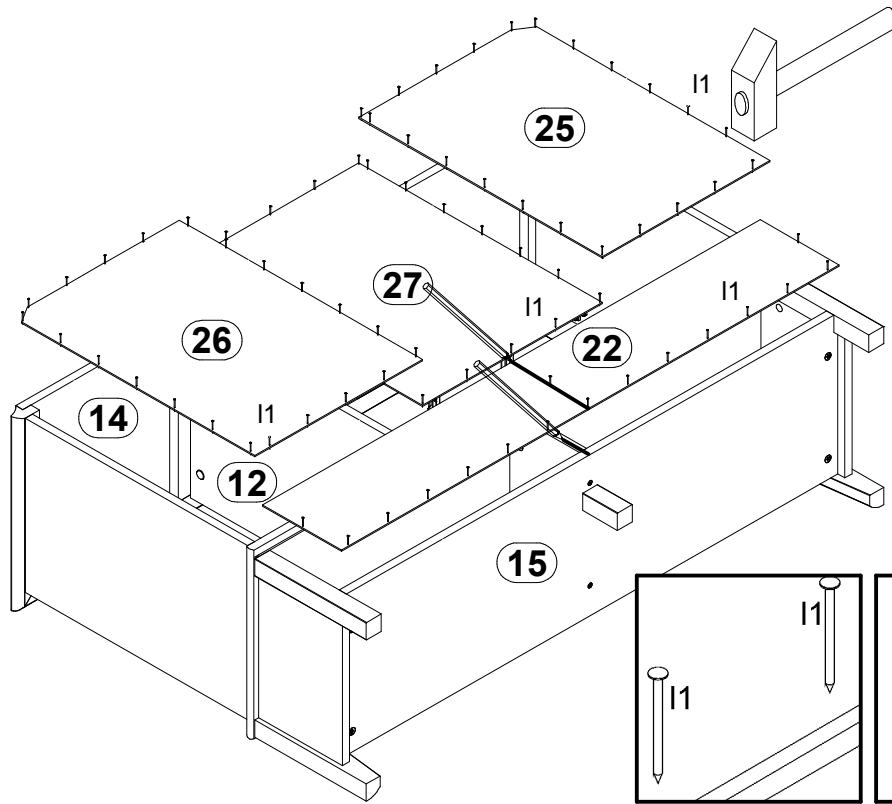
7



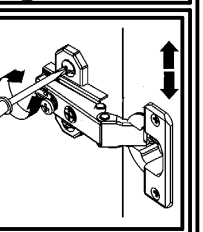
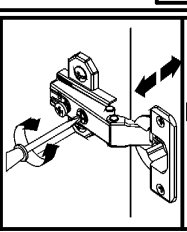
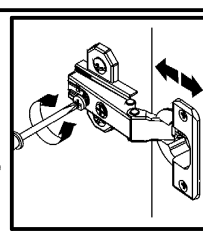
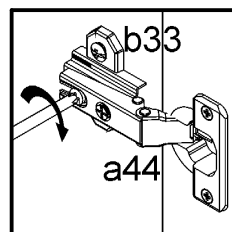
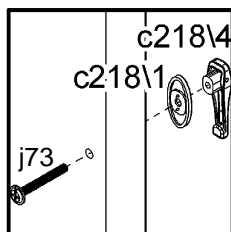
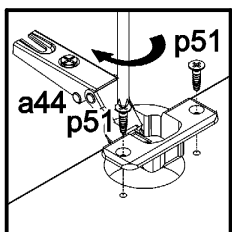
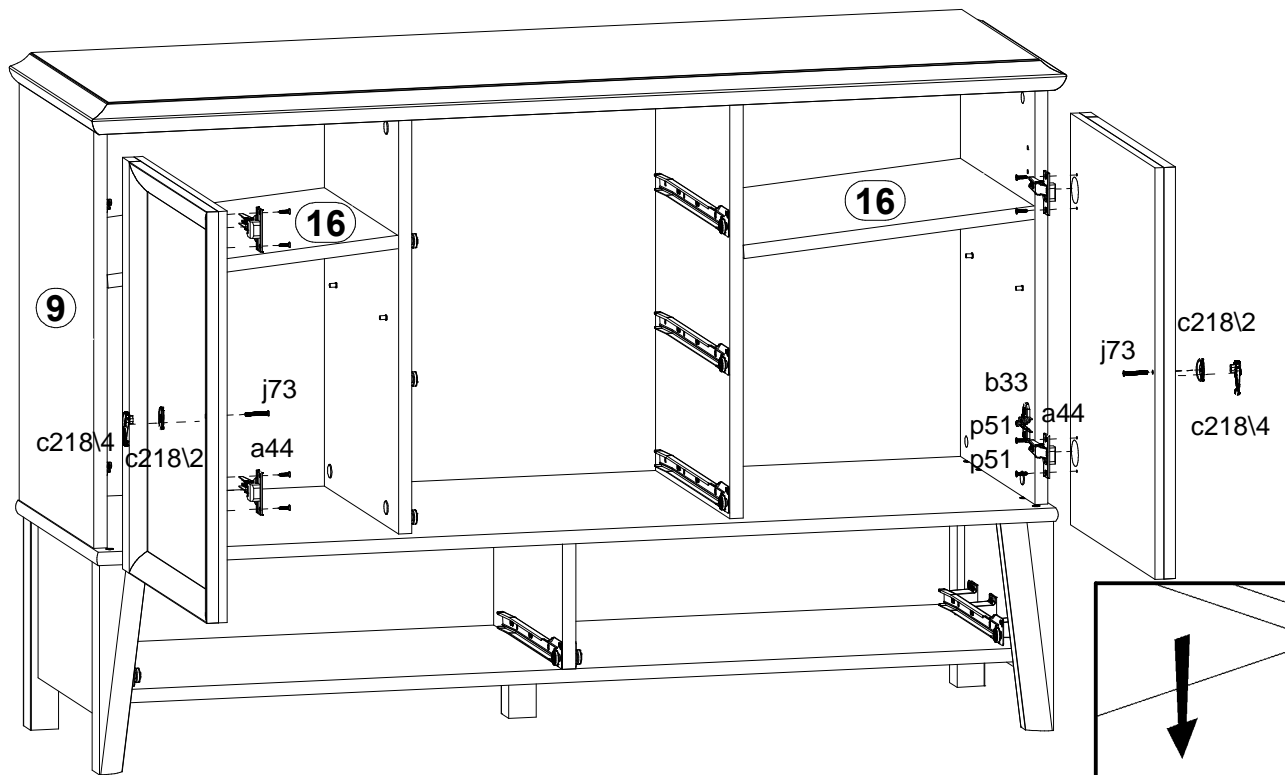
8



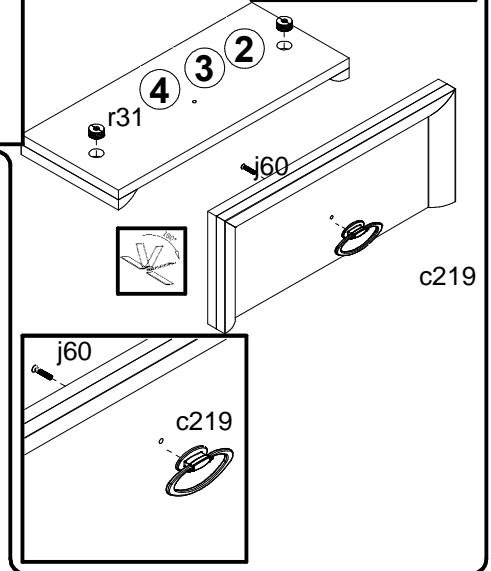
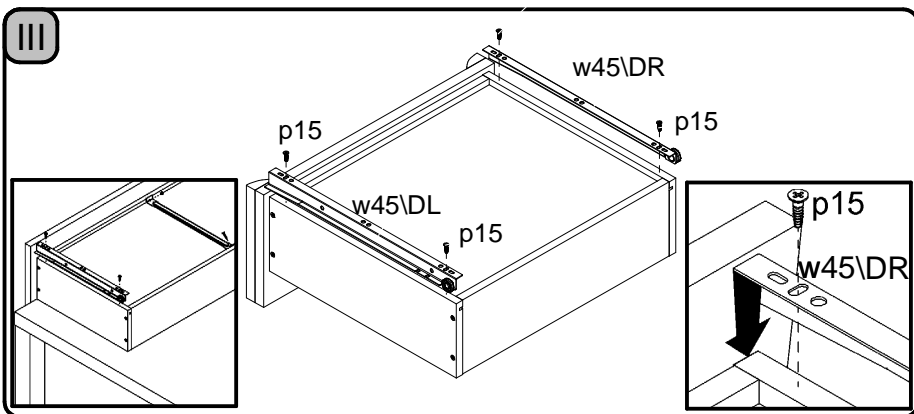
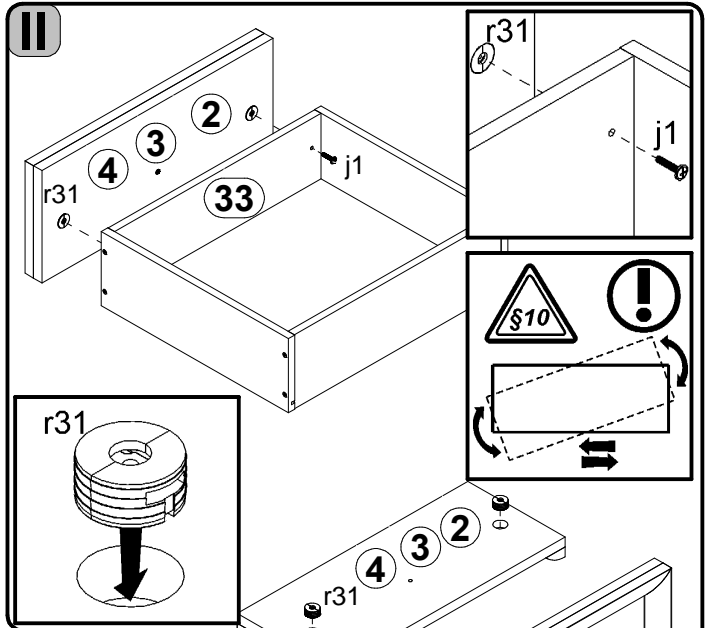
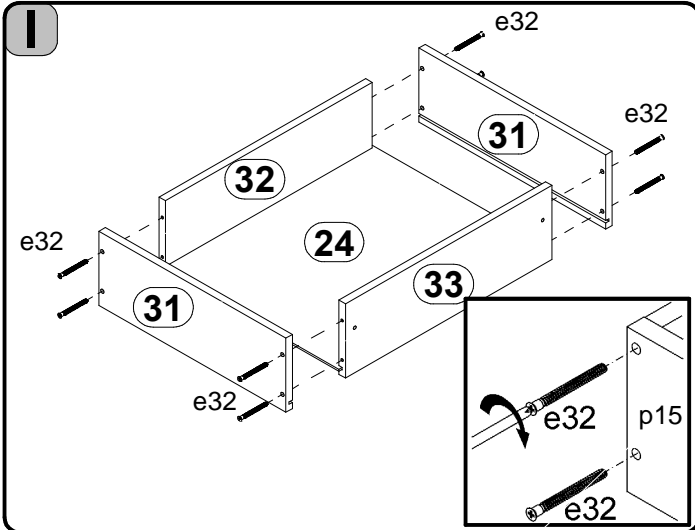
9



10



10



11

