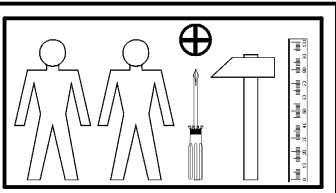
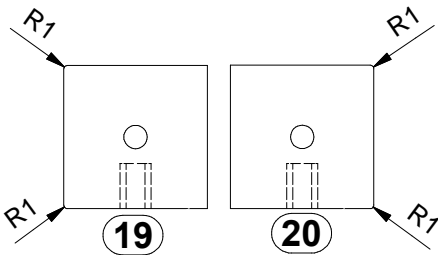
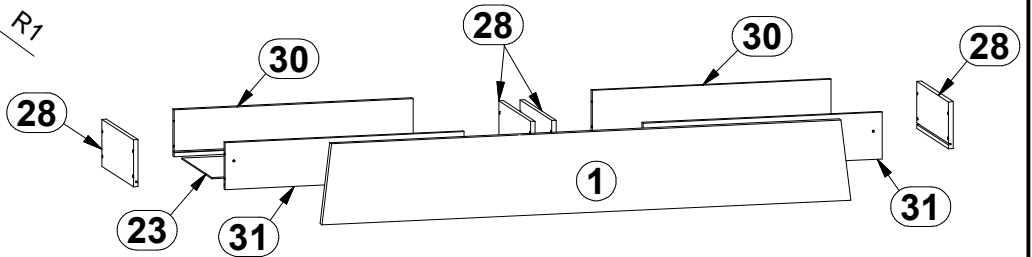
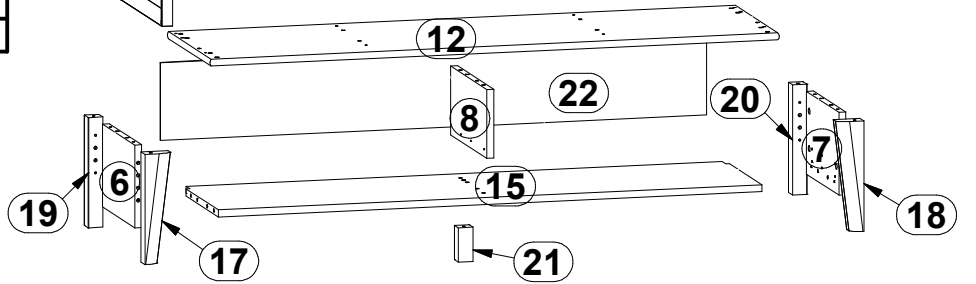
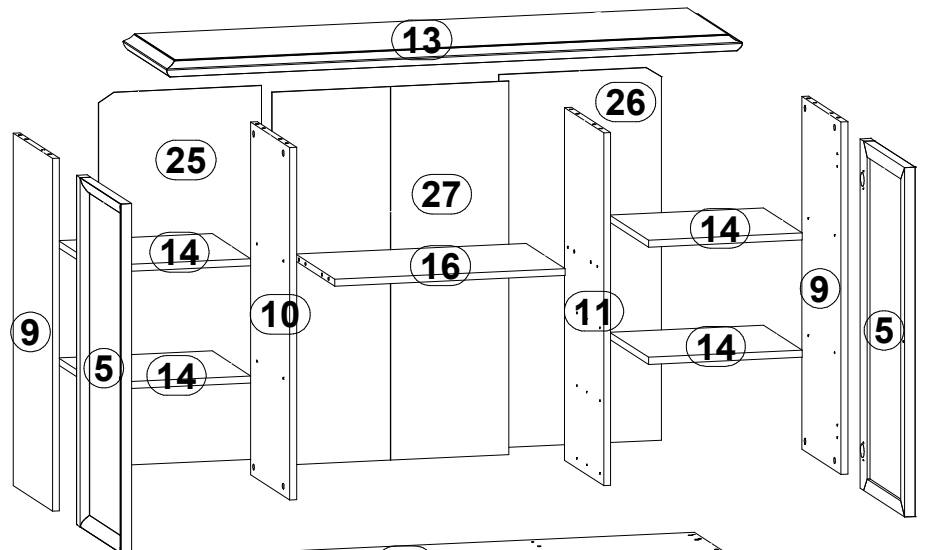
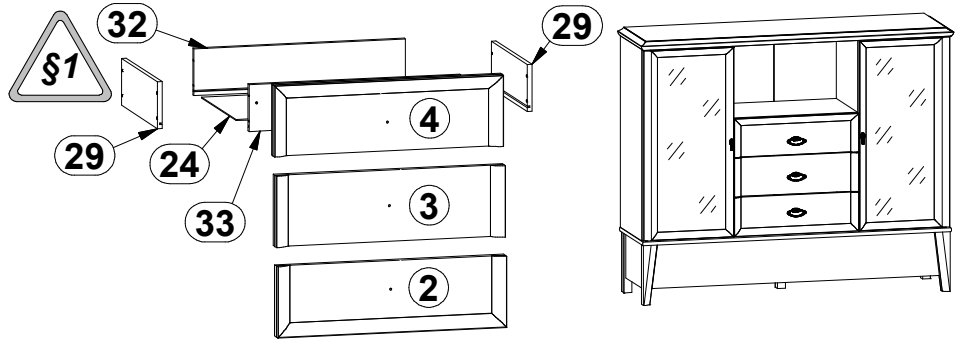


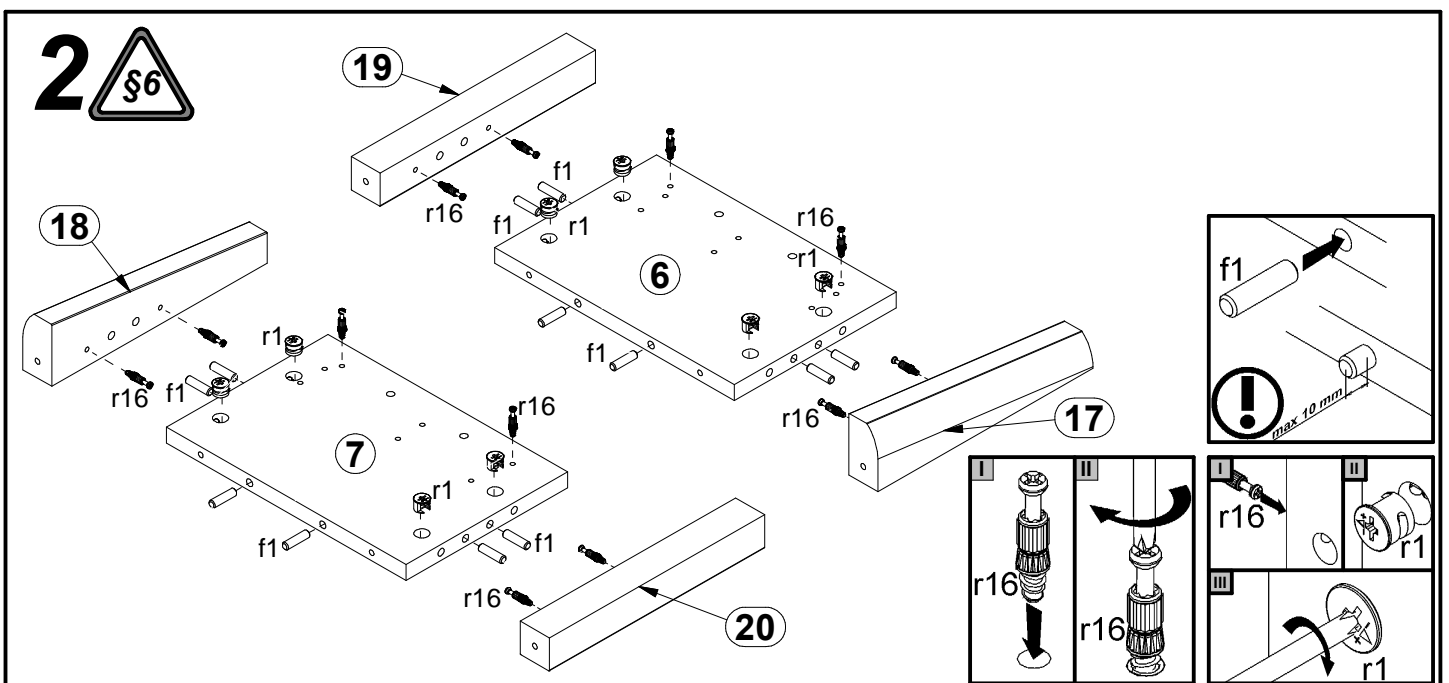
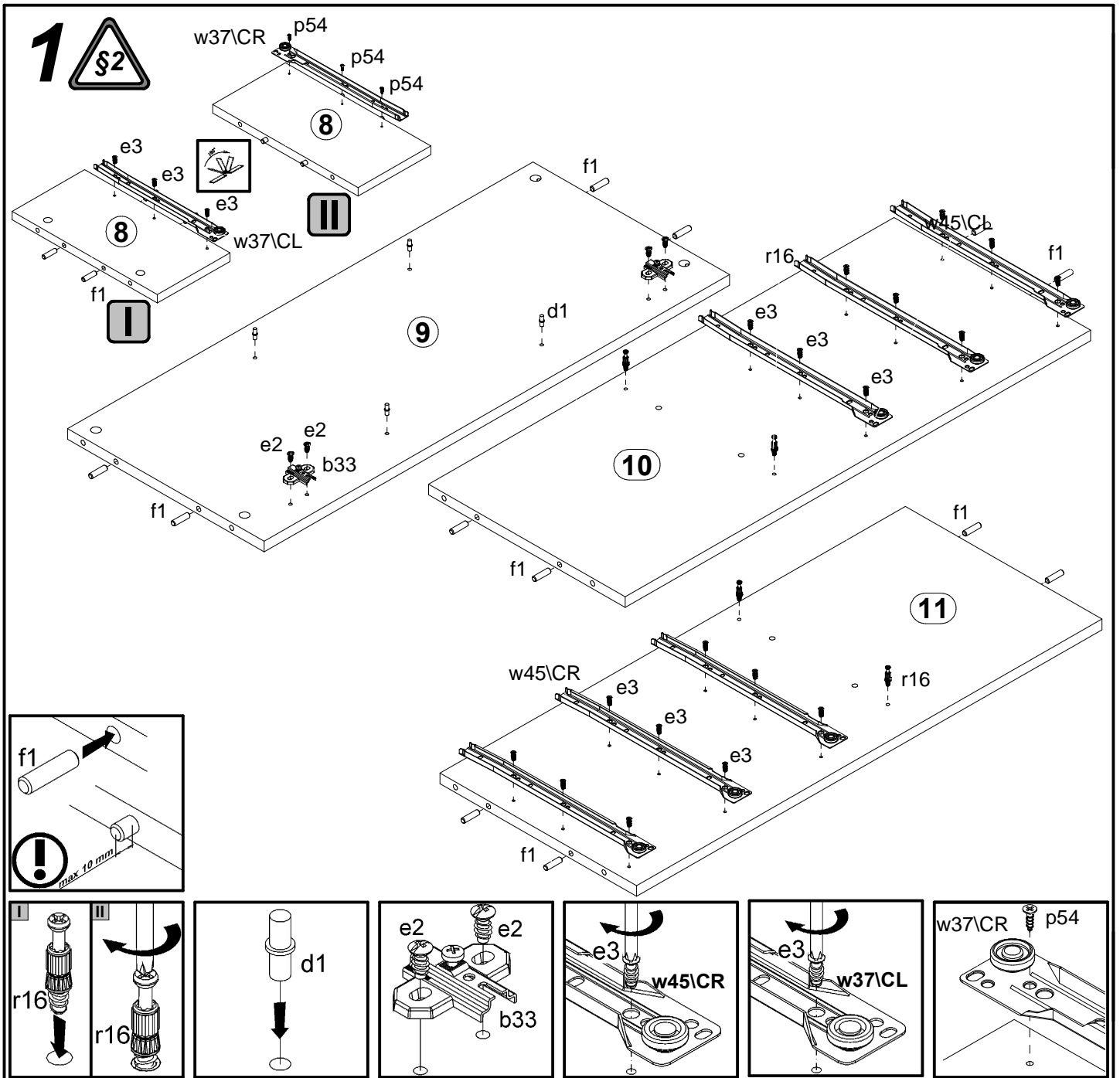
YOKO

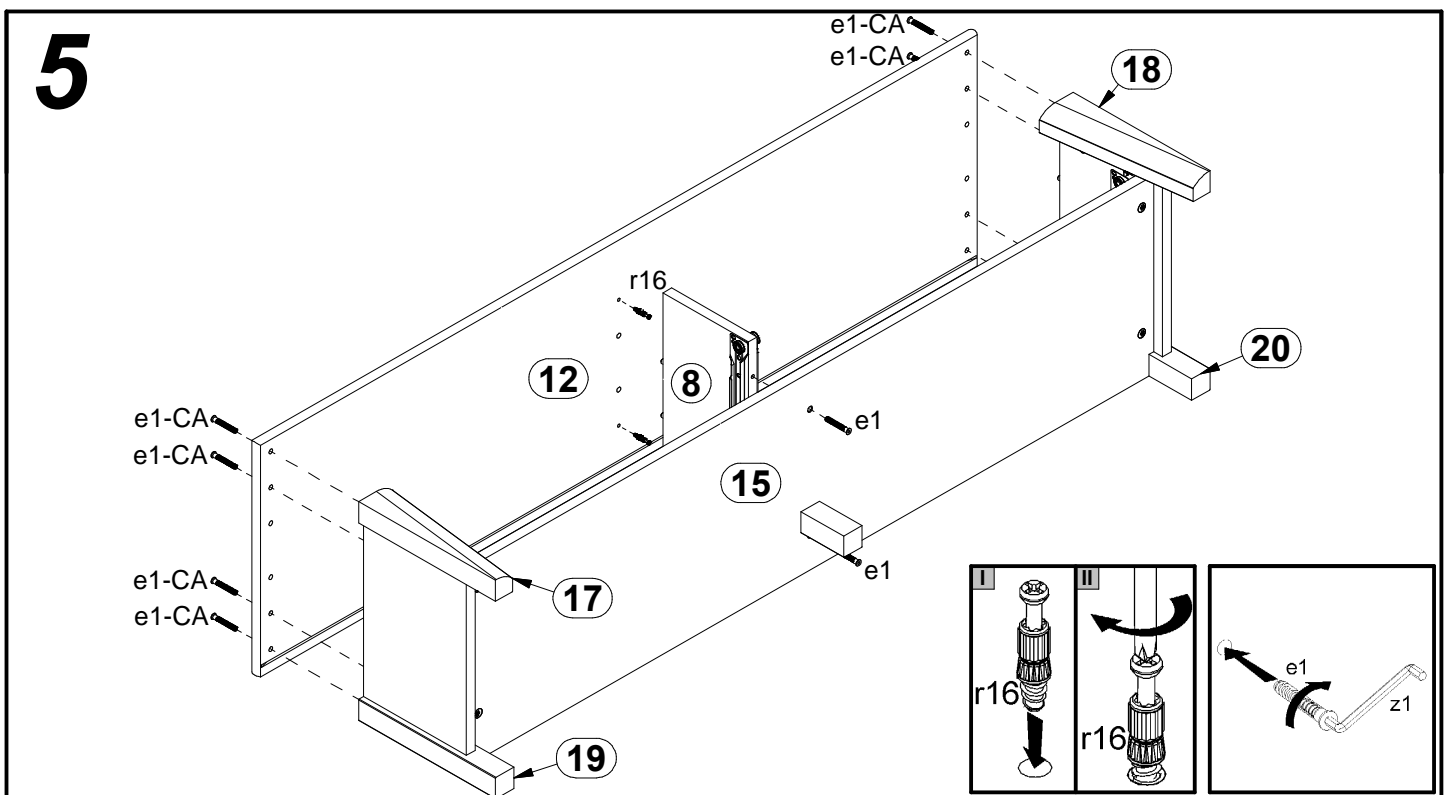
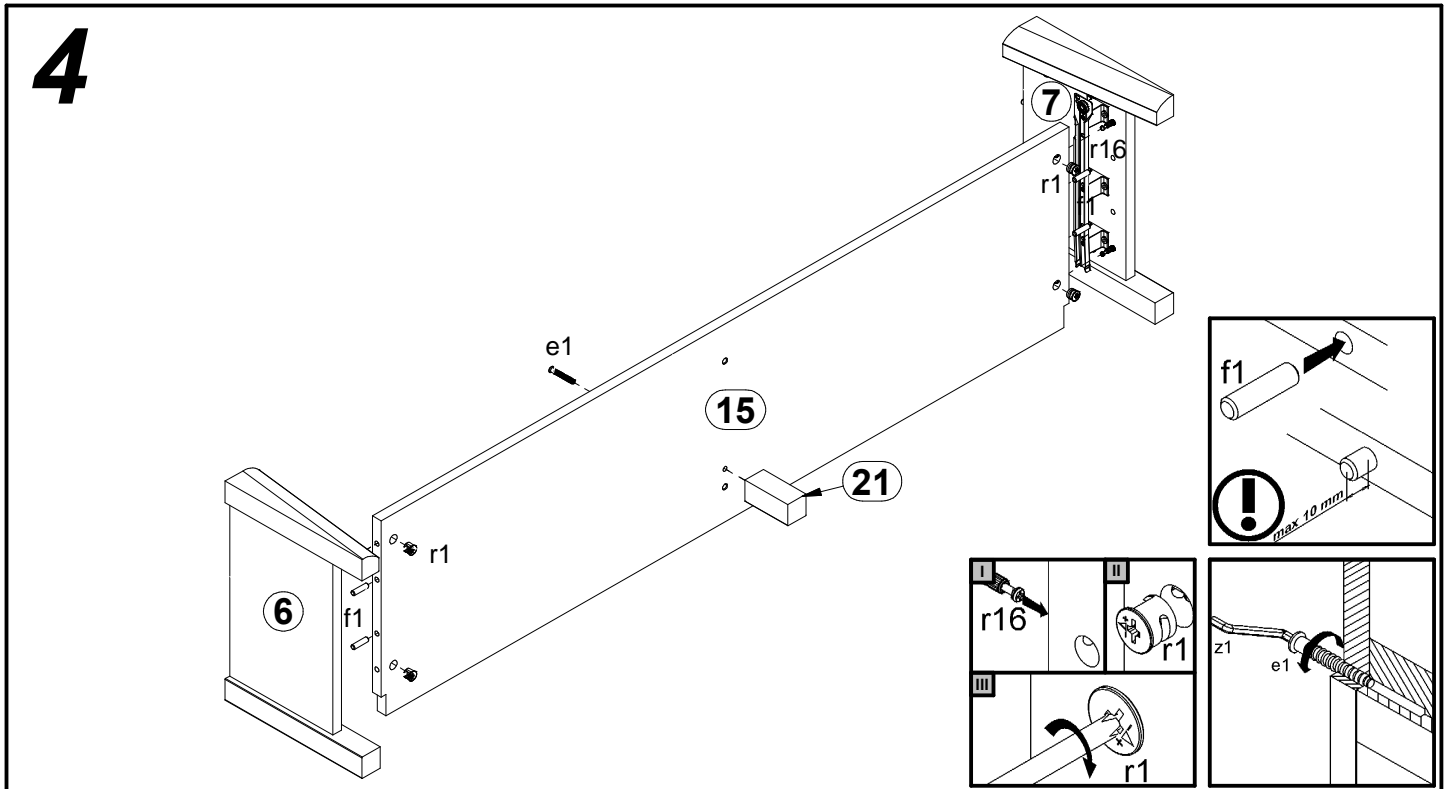
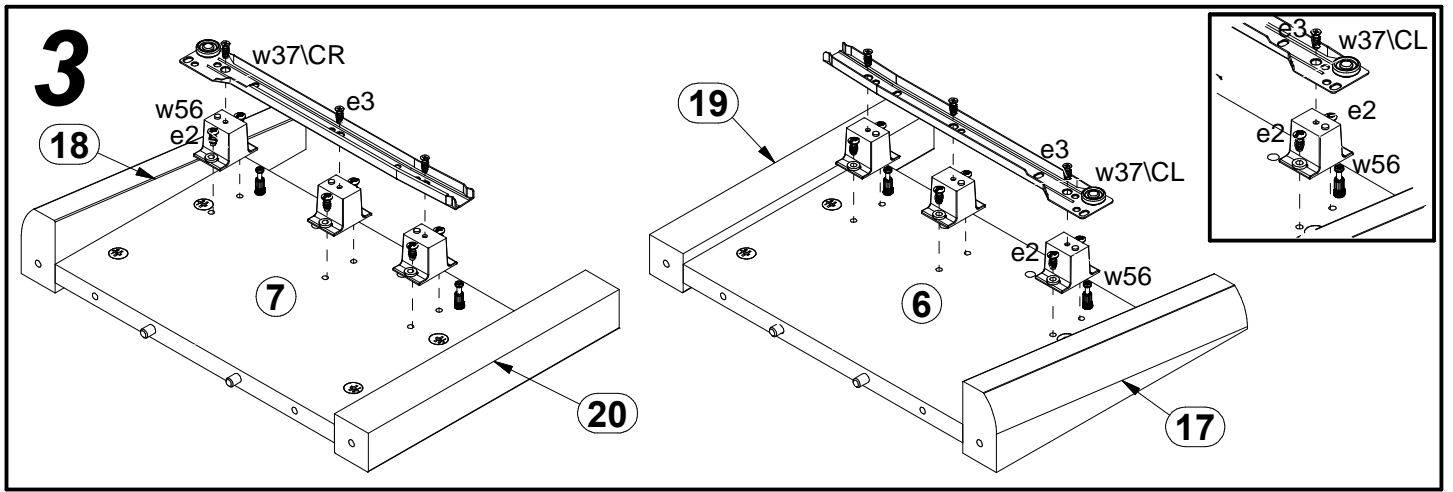
S63-KOM2W4S/150

A	B	C	D	
1	S63-018	1378	206	2/6
2	S63-019	596	182	5/6
3	S63-020	596	182	5/6
4	S63-021	596	182	5/6
5	S63-025	894	432	6/6
6	S63-101	212	314	1/6
7	S63-102	212	314	1/6
8	S63-106	176	352	1/6
9	S63-108	902	381	1/6
10	S63-112	902	381	1/6
11	S63-113	902	381	1/6
12	S63-203	1482	415	3/6
13	S63-253	1500	424	3/6
14	S63-305	400	376	1/6
15	S63-306	1416	352	2/6
16	S63-307	600	377	1/6
17	S63-571	282	70	4/6
18	S63-572	282	70	4/6
19	S63-573	282	38	4/6
20	S63-574	282	38	4/6
21	S63-597	88	38	4/6
22	S63-914	1422	199	2/6
23	S63-915	633	293	2/6
24	S63-916	562	335	2/6
25	S63-917	955	424	3/6
26	S63-918	955	424	3/6
27	S63-919	955	617	3/6
28	ZS1-1507	308	120	2/6
29	ZS1-1512	350	120	2/6
30	ZS1-1517	622	120	2/6
31	ZS1-1518	622	120	2/6
32	ZS1-1519	551	120	2/6
33	ZS1-1520	551	120	2/6

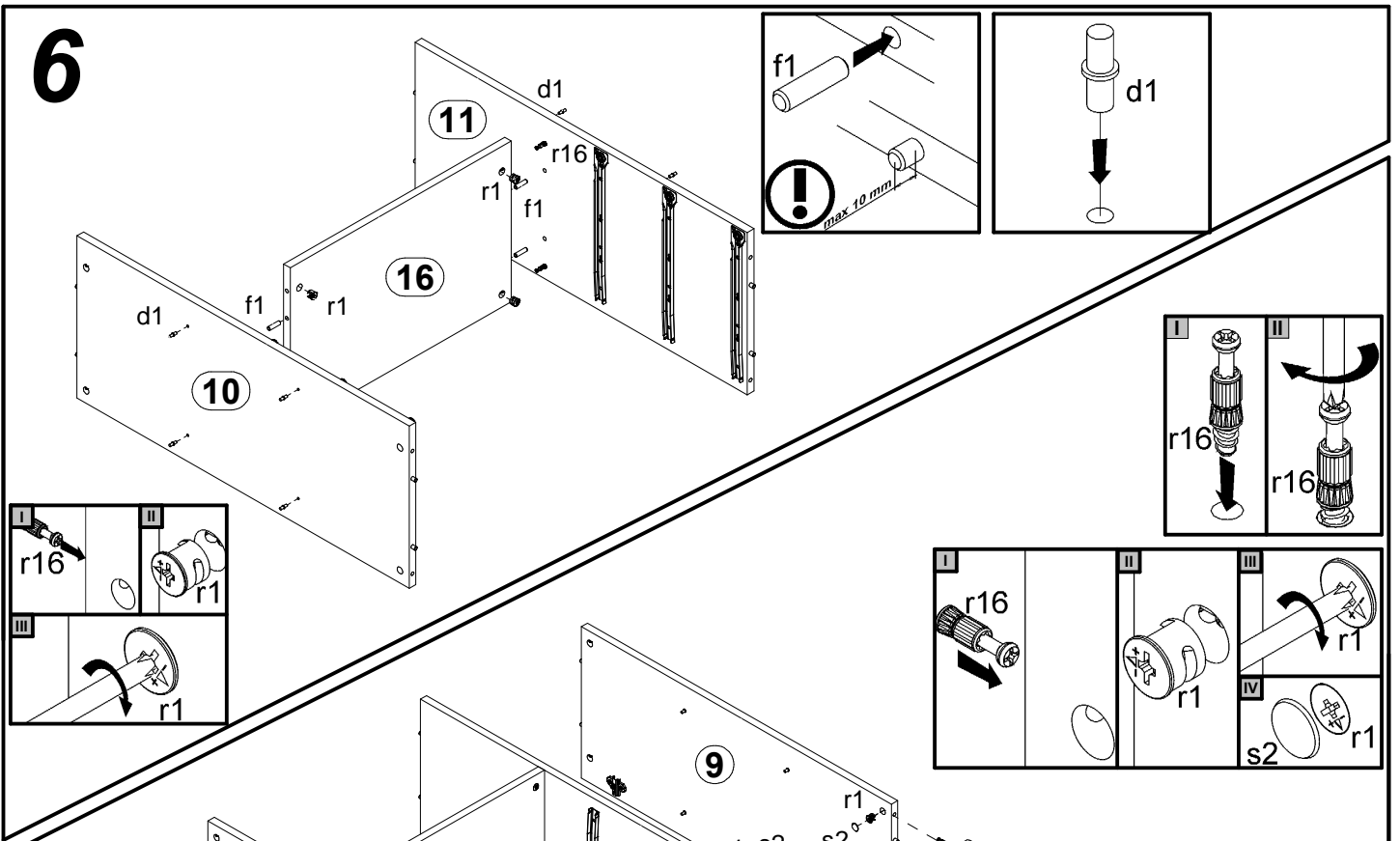


4x a44	4x b33	2x c218/2	2x c218/4	3x c219	16x φ5x17 mm d1	3x φ7x50 mm e1	8x φ7x50 mm e1-CA	20x φ6,3x13 mm e2
27x φ6x13 mm e3	40x φ5x50 mm e32	40x φ8x30 mm f1	10x M4x20 mm j1	3x M4x22 mm j60	2x M4x32 mm j73	120x l1	20x φ2,5x13 mm p15	4x φ3,5x16 mm p25
8x φ3,5x15 mm p51	3x φ3x12 mm p54	34x φ1,5x12mm #16 r1	34x r16	10x φ2,1x10mm r31	16x φ16 s2	2x 283 mm t18	2x 300 mm w37/CL	2x 300 mm w37/CR
2x 300 mm w37/DL	2x 300 mm w37/DR	3x 350 mm w45/CL	3x 350 mm w45/CR	3x 350 mm w45/DL	3x 350 mm w45/DR	6x h=28 mm w56	1x z1	

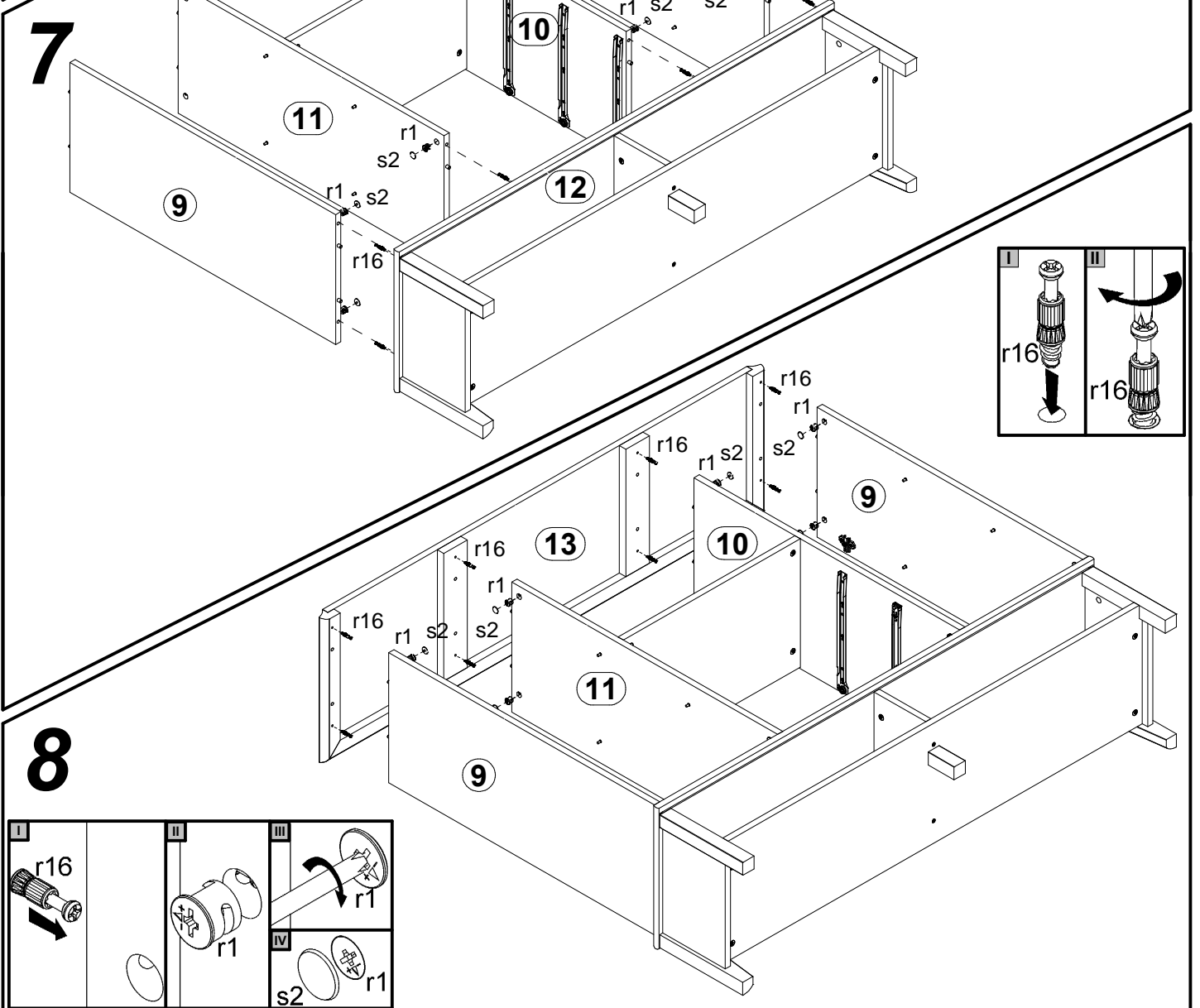




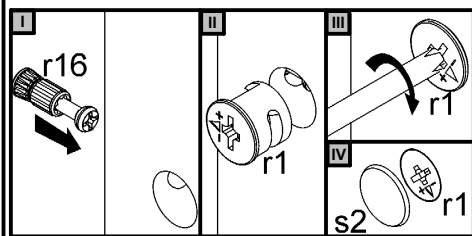
6



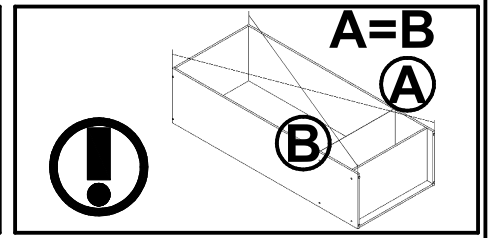
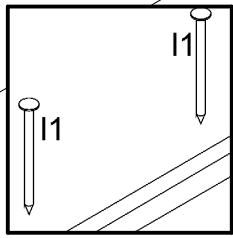
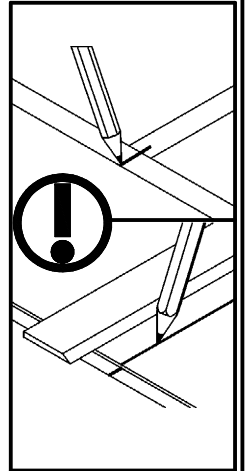
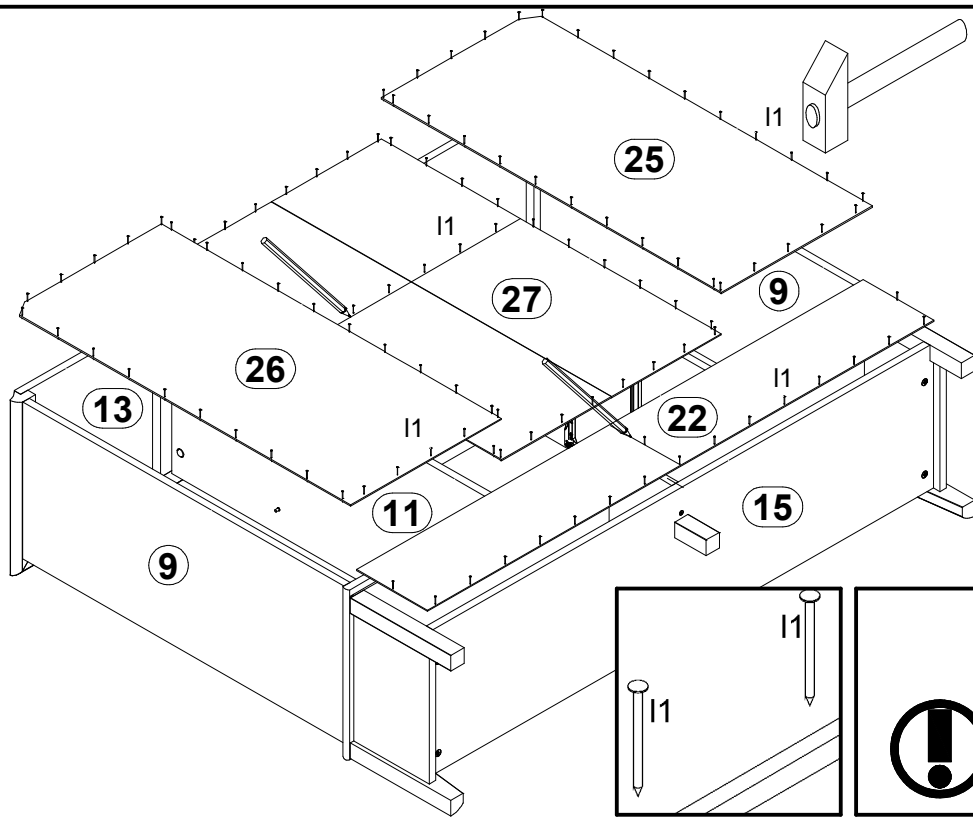
7



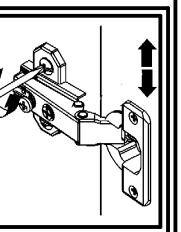
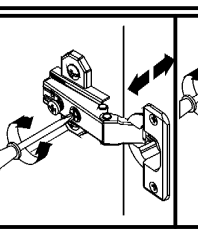
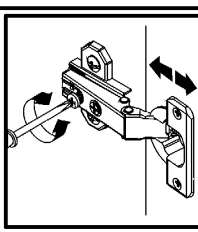
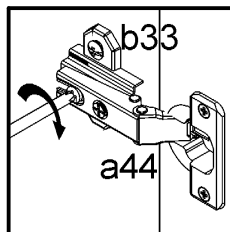
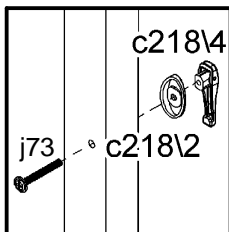
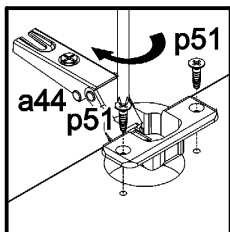
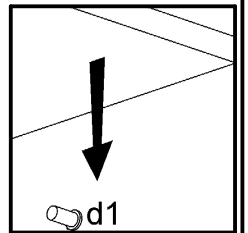
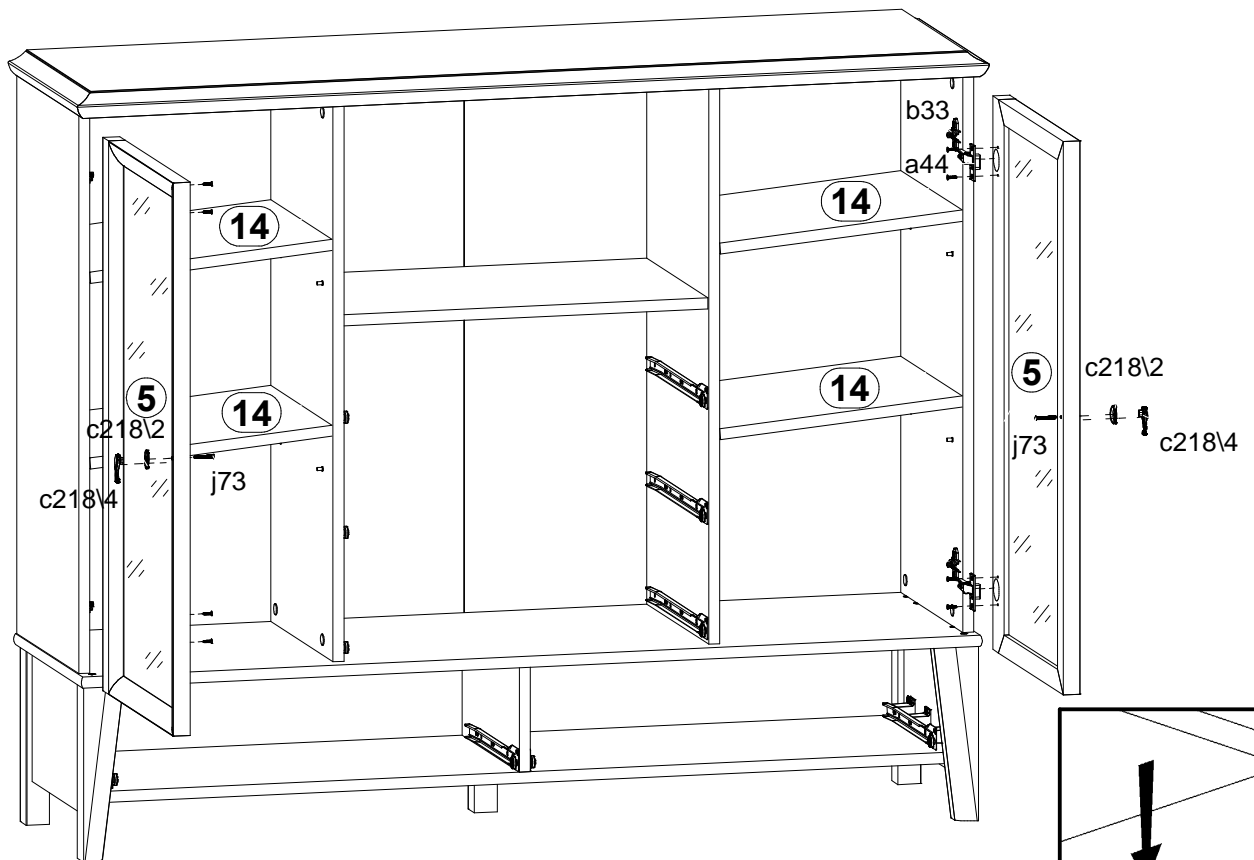
8



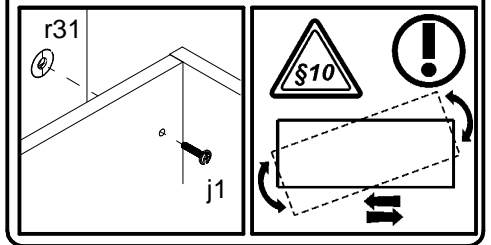
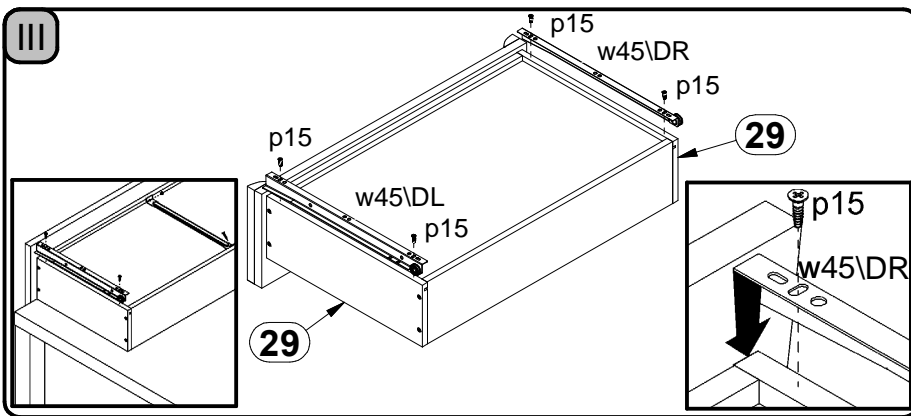
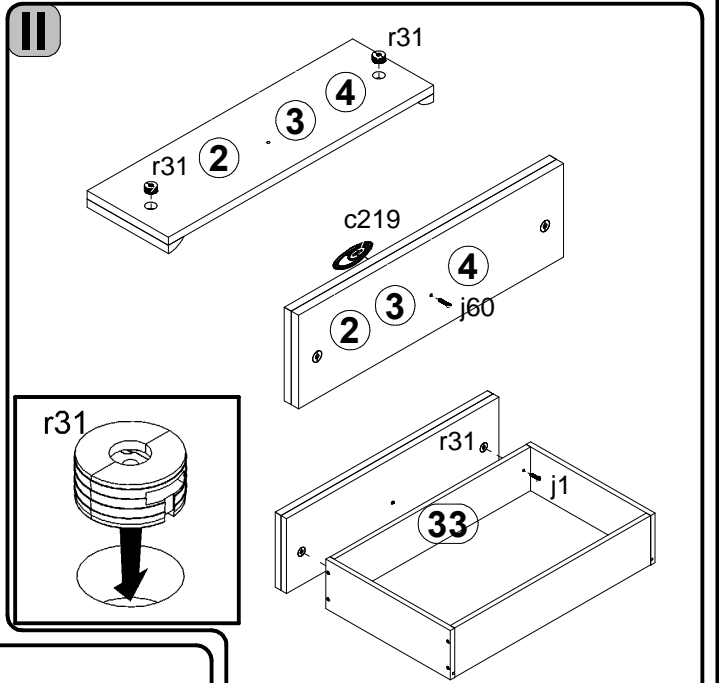
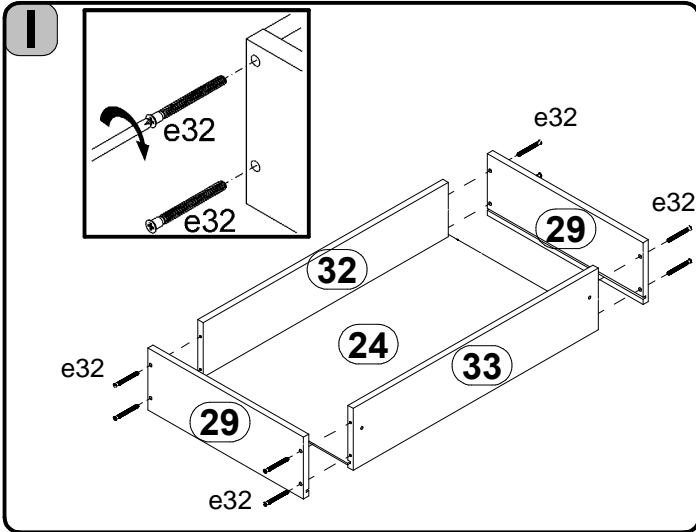
8



9



10



11

