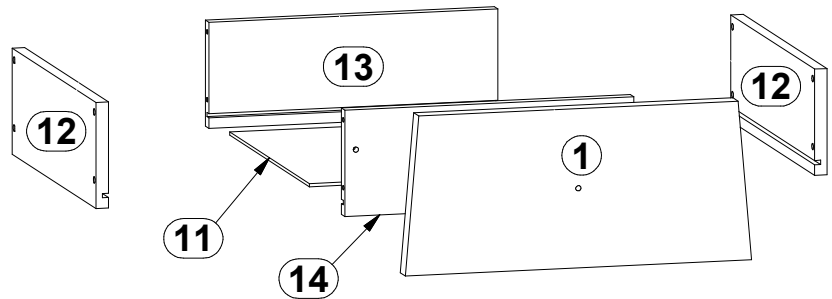
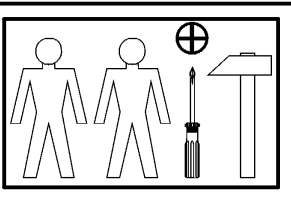
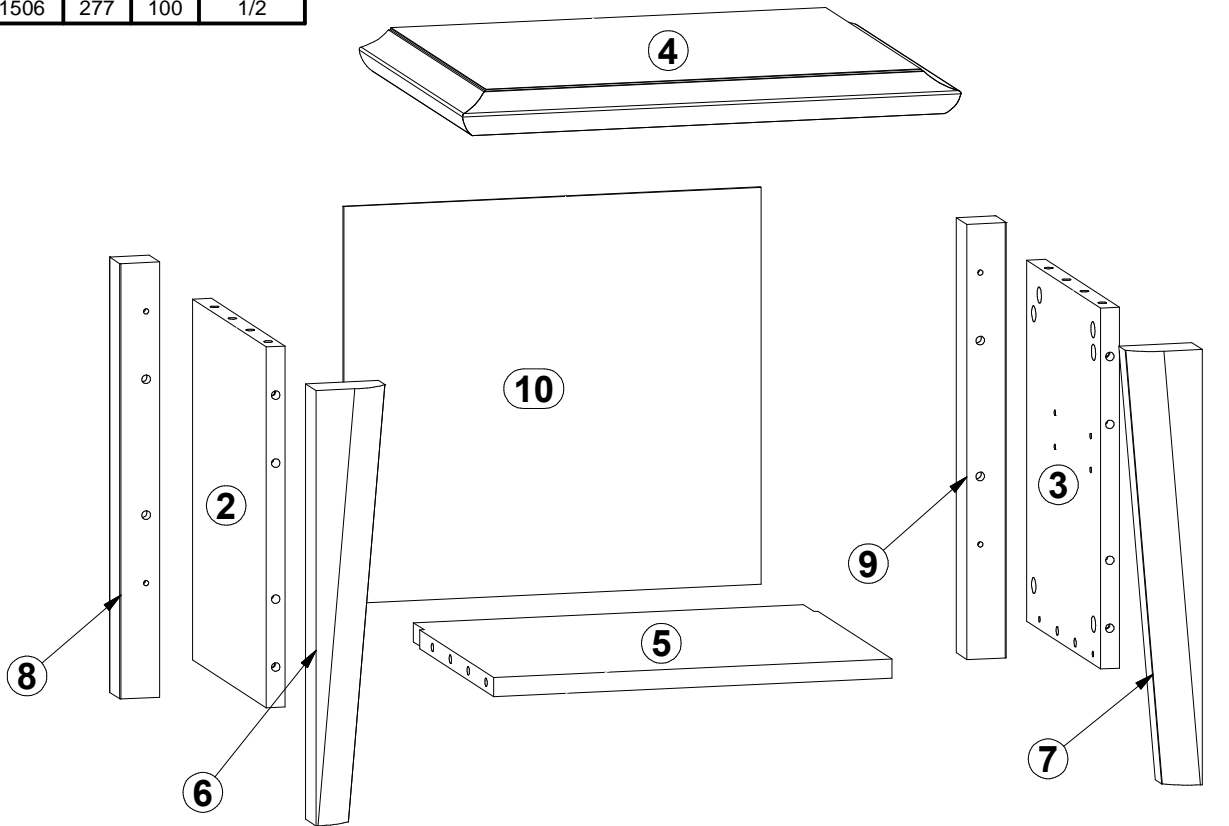
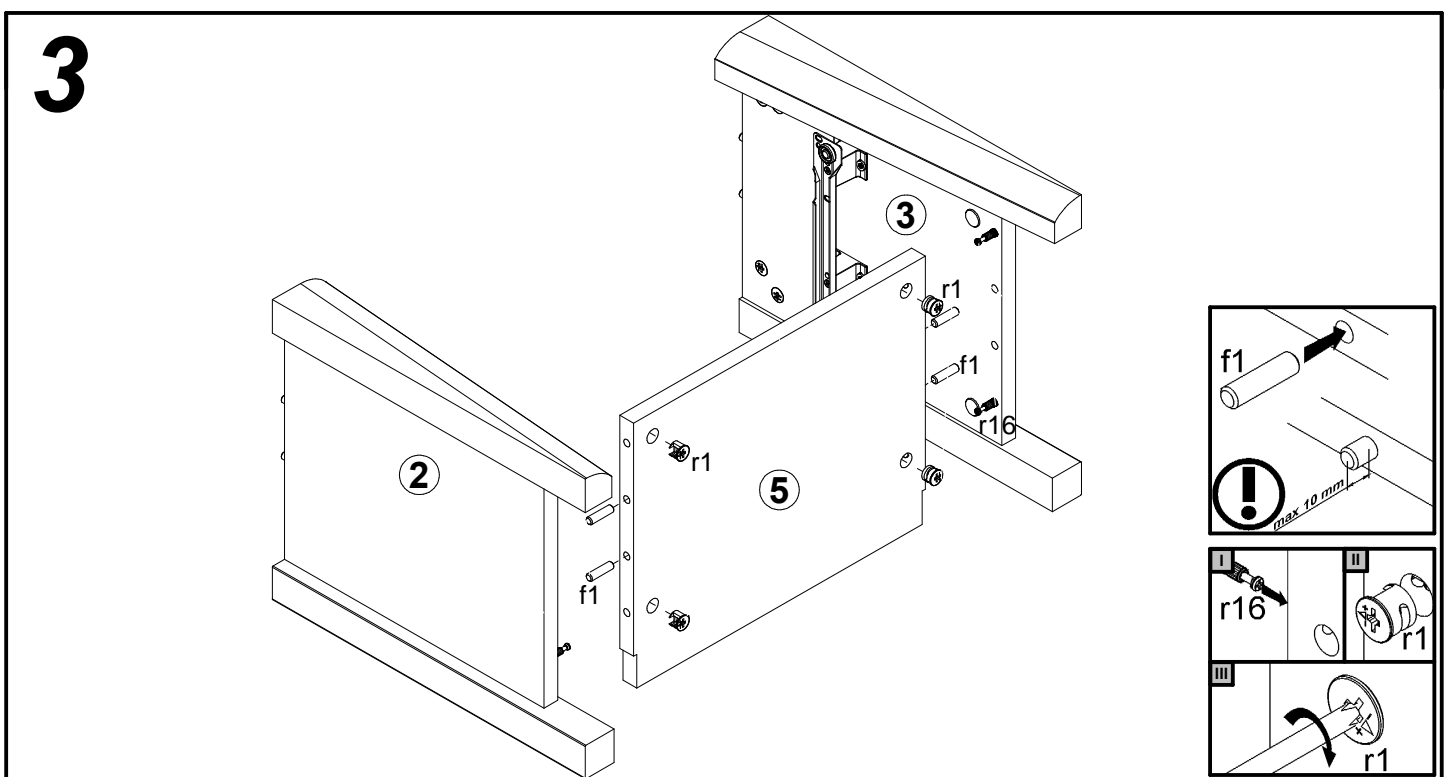
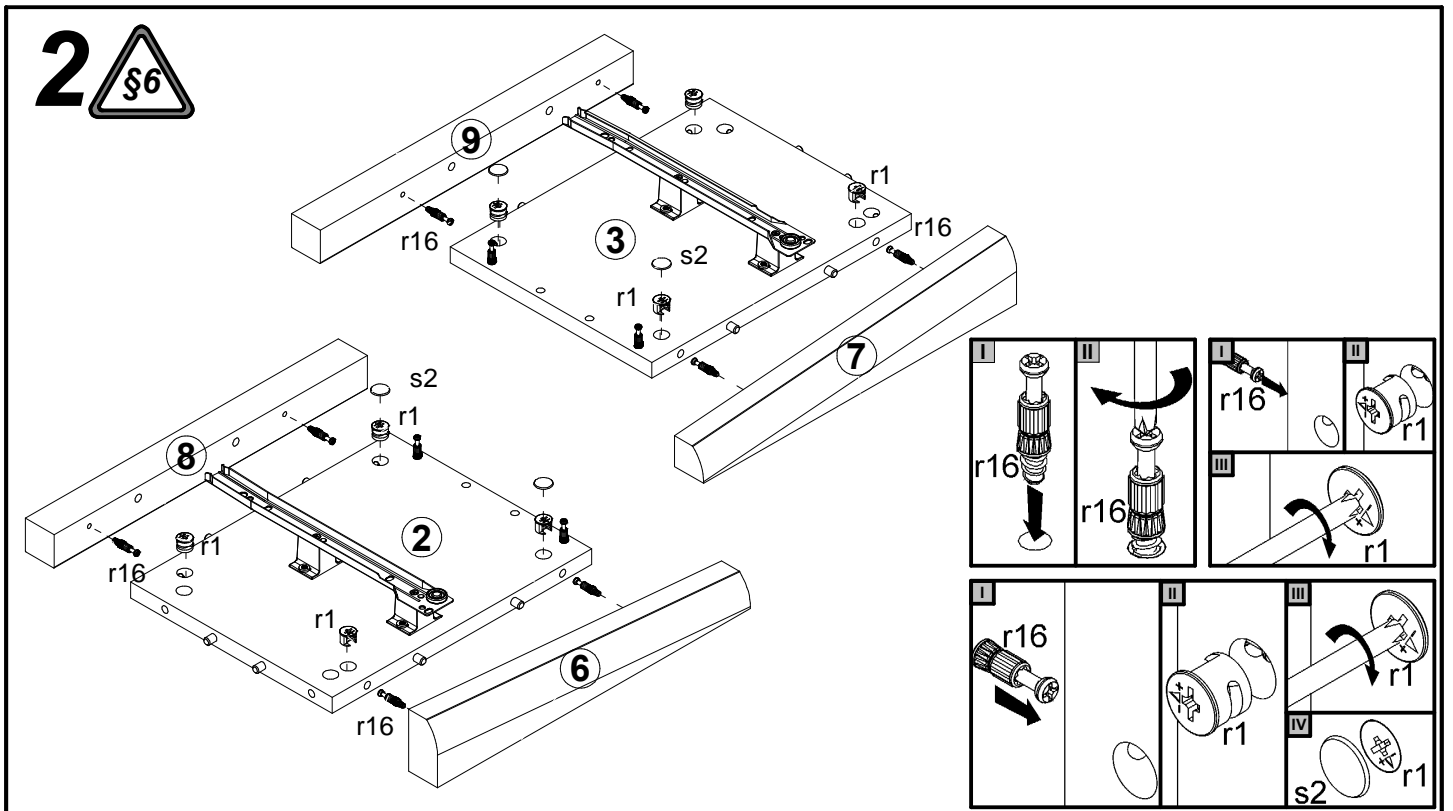
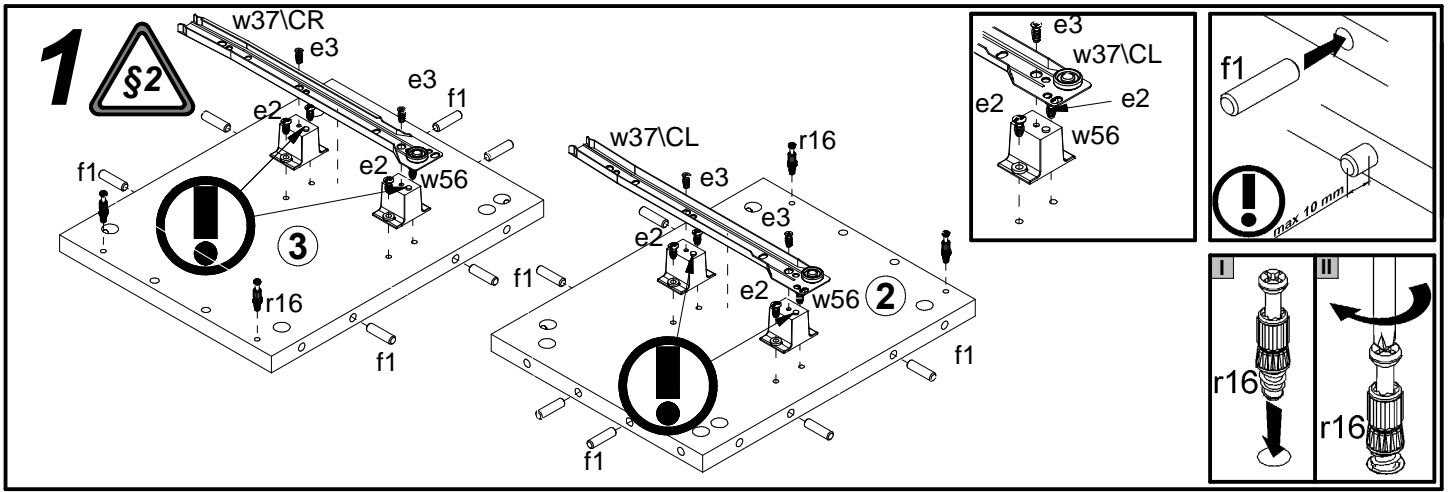


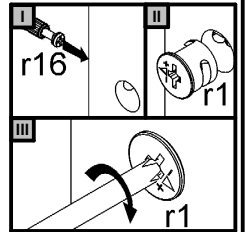
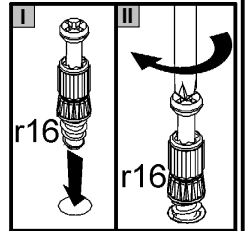
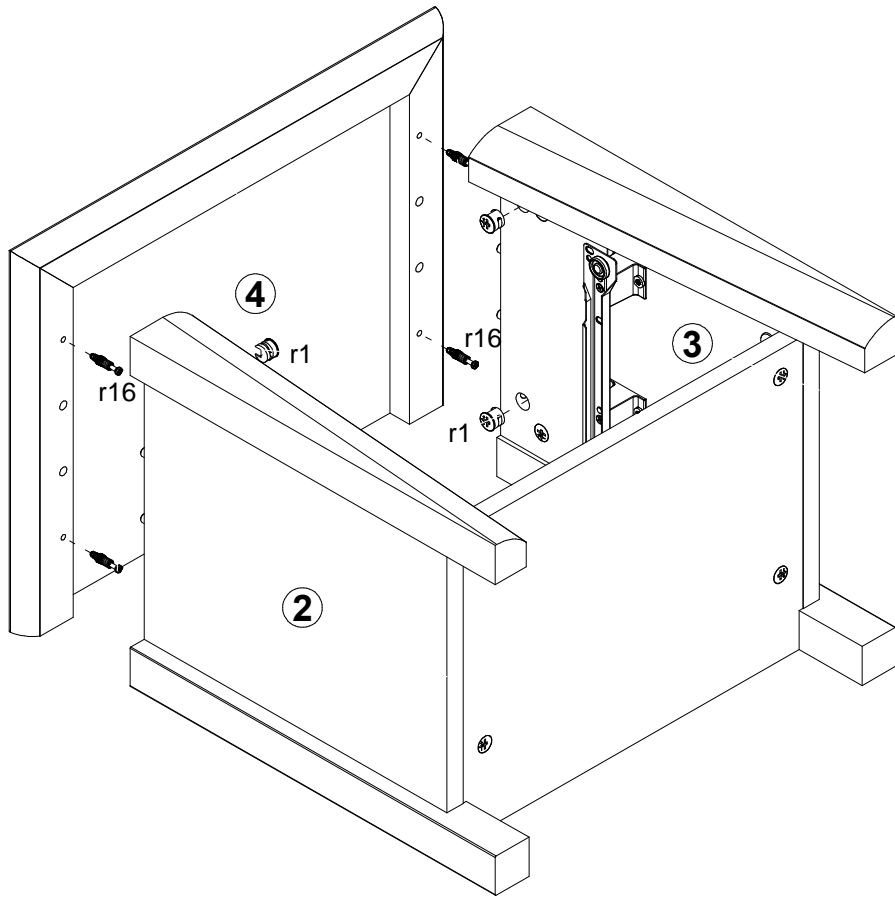
| A | B | C | D | |
|----|----------|-----|-----|-----|
| 1 | S63-032 | 332 | 150 | 1/2 |
| 2 | S63-131 | 340 | 264 | 1/2 |
| 3 | S63-132 | 340 | 264 | 1/2 |
| 4 | S63-255 | 478 | 370 | 1/2 |
| 5 | S63-314 | 382 | 302 | 1/2 |
| 6 | S63-579 | 410 | 70 | 2/2 |
| 7 | S63-580 | 410 | 70 | 2/2 |
| 8 | S63-581 | 410 | 38 | 2/2 |
| 9 | S63-582 | 410 | 38 | 2/2 |
| 10 | S63-926 | 374 | 400 | 1/2 |
| 11 | S63-927 | 288 | 285 | 1/2 |
| 12 | ZS1-1504 | 300 | 100 | 1/2 |
| 13 | ZS1-1505 | 277 | 100 | 1/2 |
| 14 | ZS1-1506 | 277 | 100 | 1/2 |



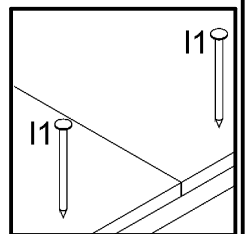
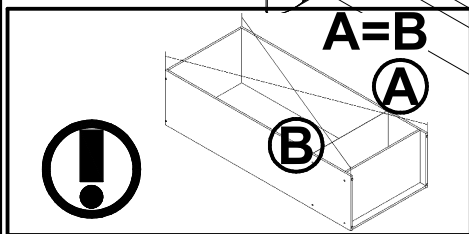
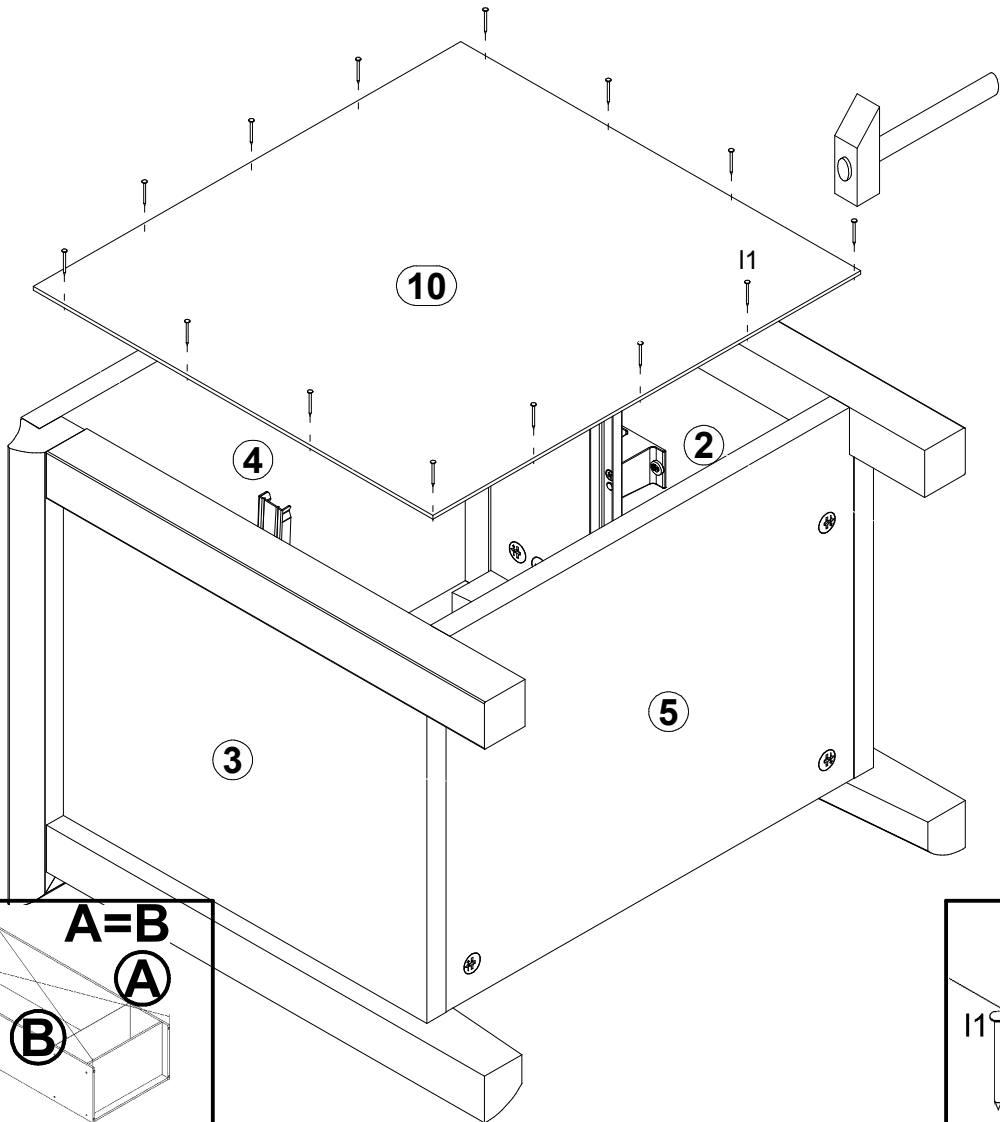
| | | | | | | | | |
|--------------------------|-----------------------------|--------------------------|------------------------|------------------------|-------------------------|-------------------------|-------------------------|-------------------------|
| 1x c218\5 | 1x c218\3 | 8x φ6,3x13 mm e2 | 4x φ6x13 mm e3 | 8x φ5x50 mm e32 | 16x φ8x30 mm f1 | 2x M4x20 mm j1 | 1x √4x25 mm j53 | 20x l1 |
| 4x φ2,5x13 mm p15 | 16x φ1,5x12mm #16 r1 | 16x r16 | 2x φ21x10mm r31 | 4x ø16 s2 | 1x 300 mm w37\CL | 1x 300 mm w37\CR | 1x 300 mm w37\DL | 1x 300 mm w37\DR |
| 4x b-28 mm w56 | 1x n26\1 | 1x φ3,5x16 mm p38 | | | | | | |



4



5



6

