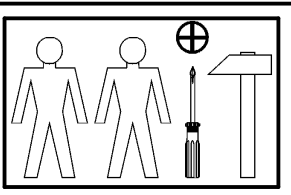
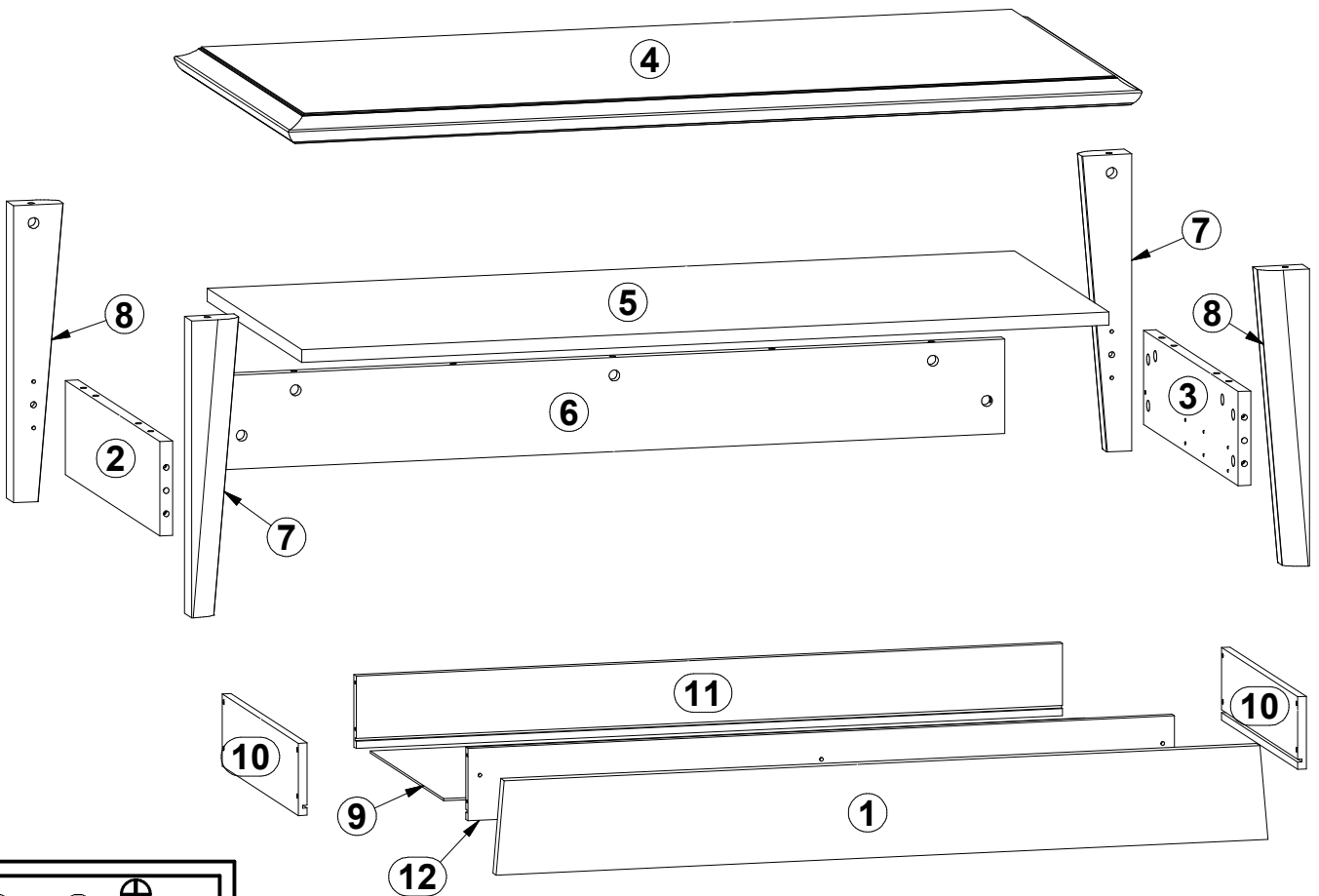
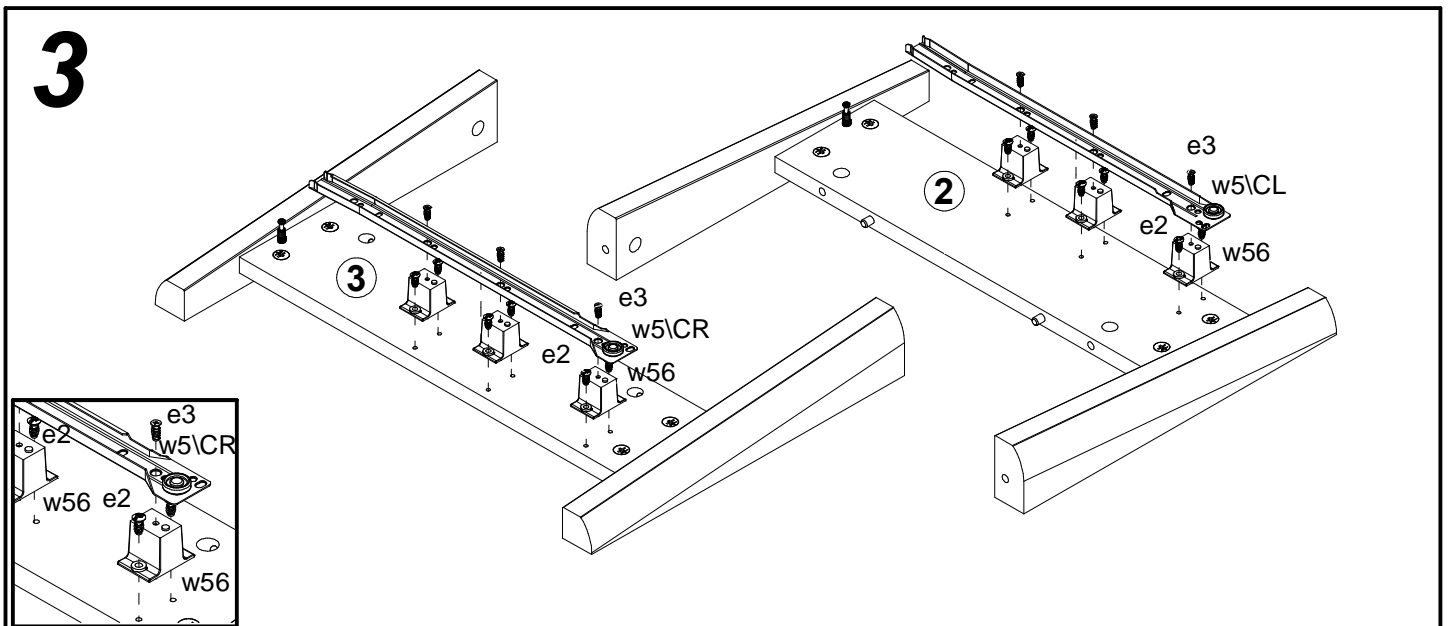
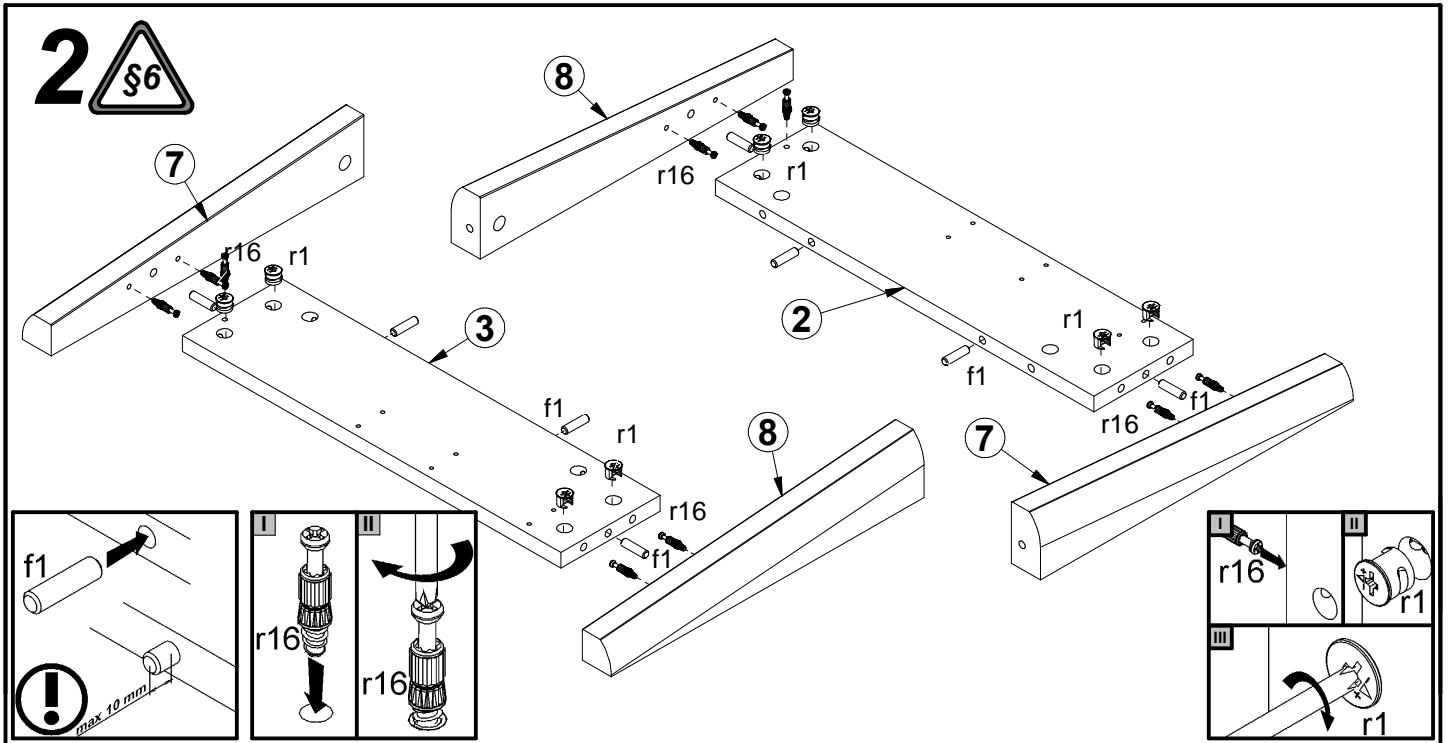
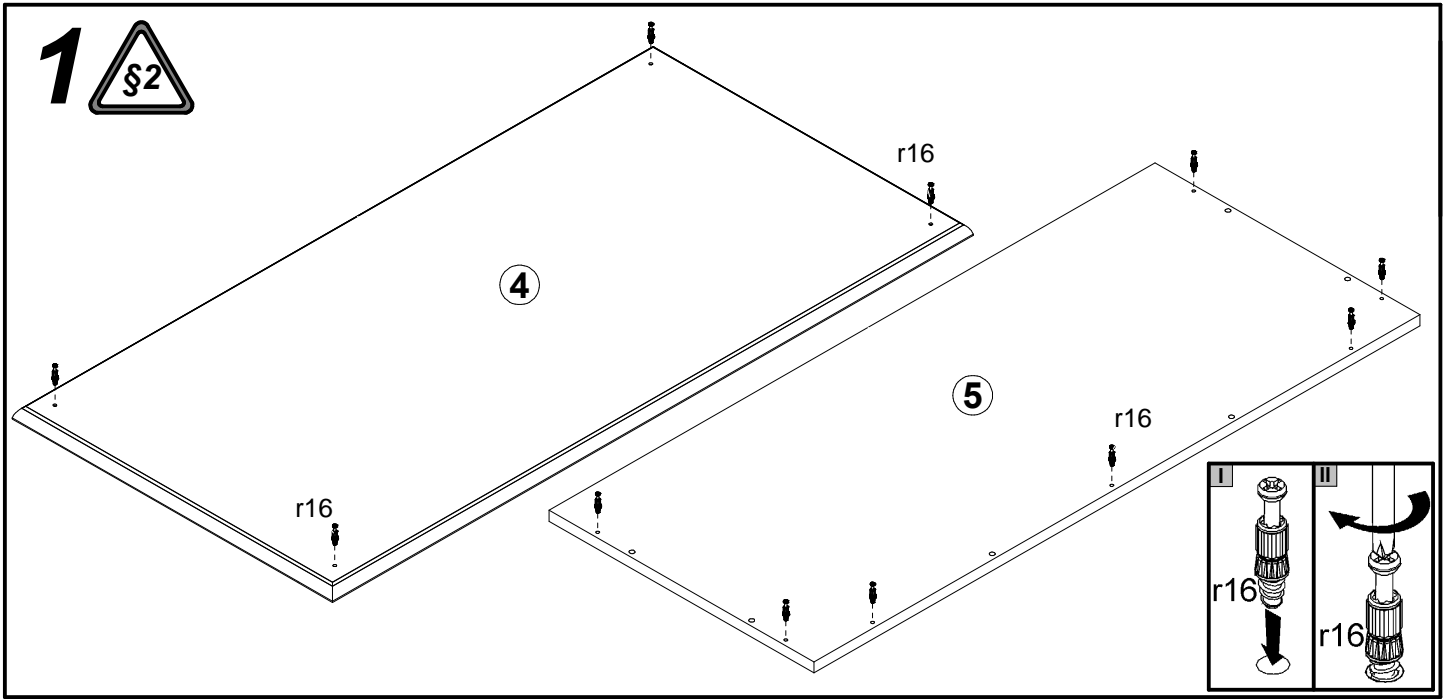


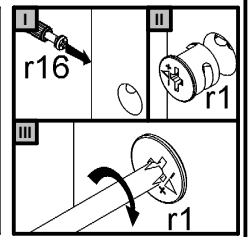
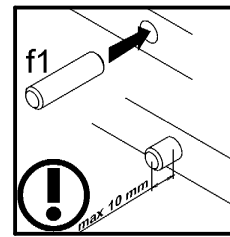
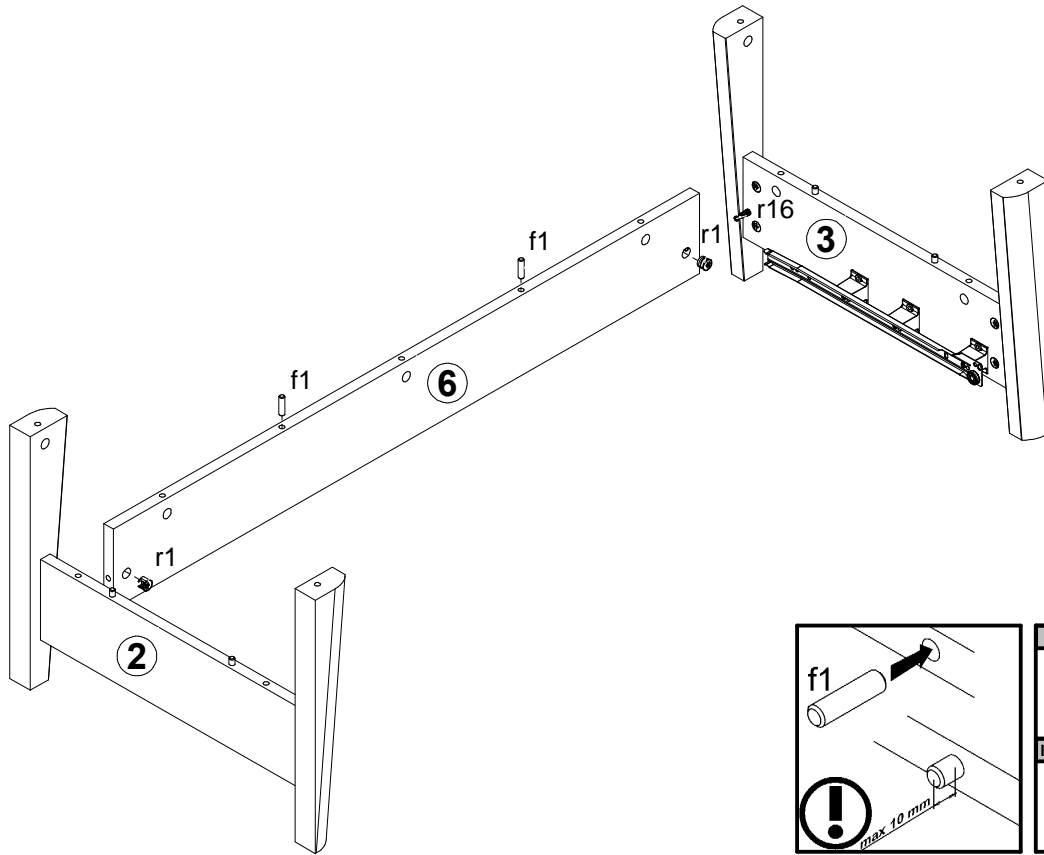
A	B	C		D
1	S63-033	1085	130	1/3
2	S63-133	130	496	1/3
3	S63-134	130	496	1/3
4	S63-256	1200	600	2/3
5	S63-315	1135	496	1/3
6	S63-408	1098	130	1/3
7	S63-583	410	70	3/3
8	S63-584	410	70	3/3
9	S63-929	1004	385	1/3
10	ZS1-1523	400	100	1/3
11	ZS1-1524	993	100	1/3
12	ZS1-1525	993	100	1/3



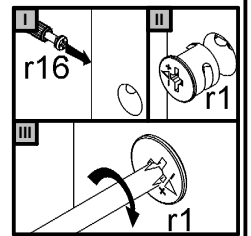
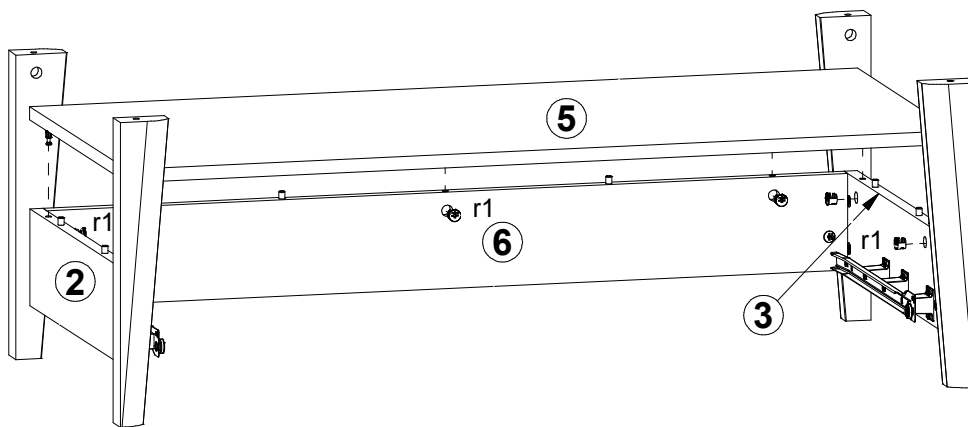
12x φ6,3x13 mm e2	6x φ6x13 mm e3	8x φ5x50 mm e32	10x φ8x30 mm f1	3x M4x20 mm j1	4x φ2,5x13 mm p15	2x φ3,5x16 mm p25	17x φ1,5x12mm #16 r1	21x r16
3x φ21x10mm r31	4x φ15x19mm #28 r9	4x ø16 s2	1x 375 mm t31	6x h-28 mm w56	1x 400 mm w5\CL	1x 400 mm w5\CR	1x 400 mm w5\DL	1x 400 mm w5\DR



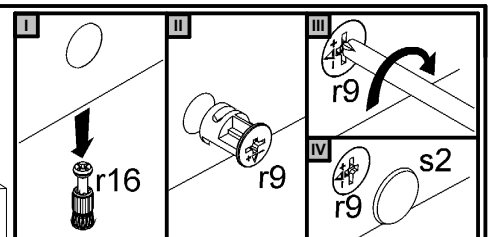
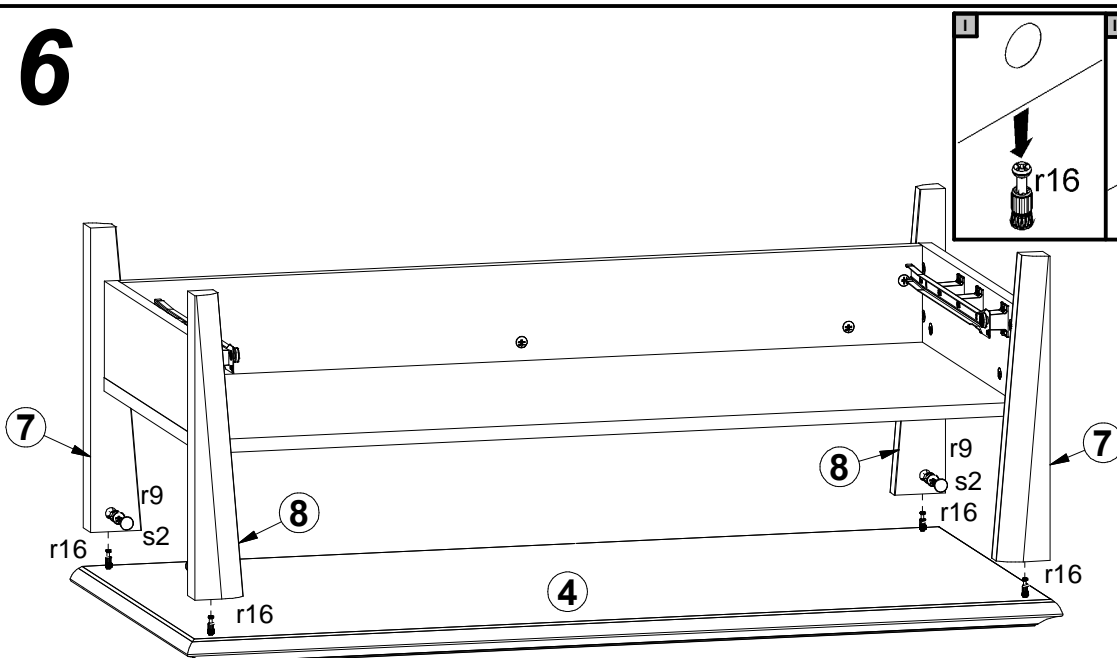
4



5



6



7

I

