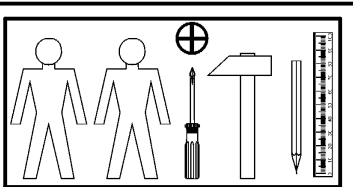
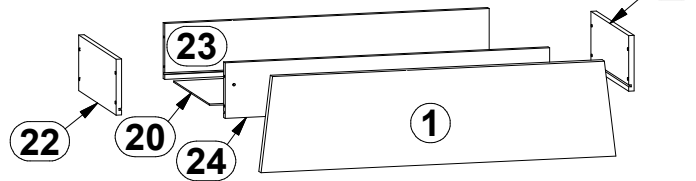
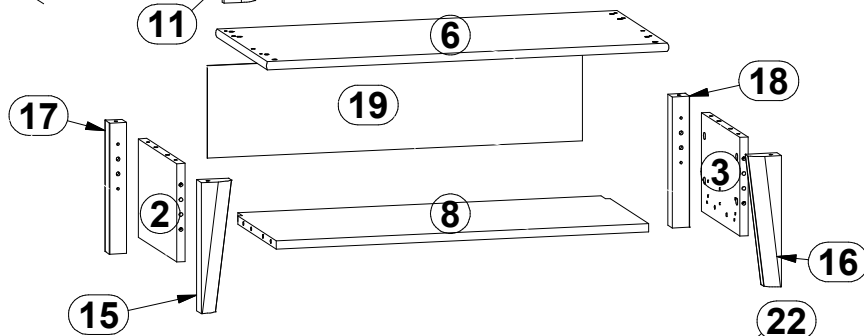
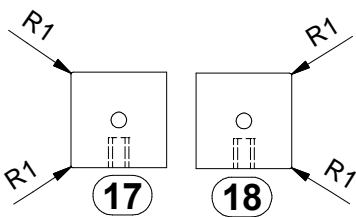
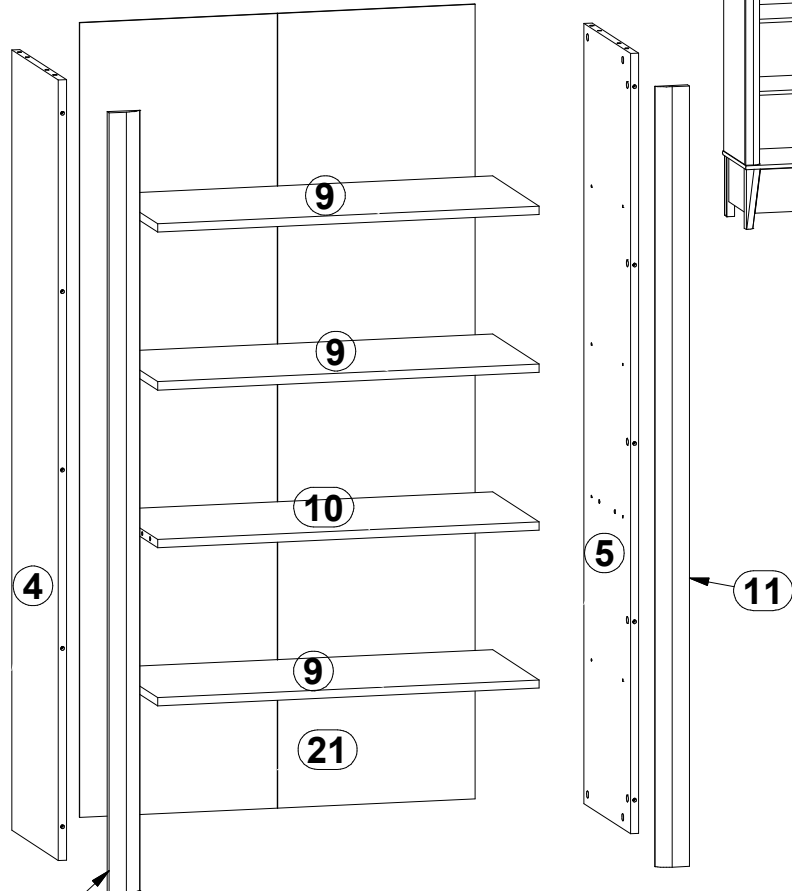
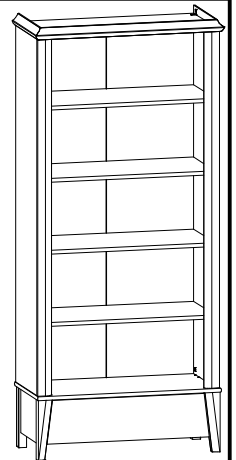
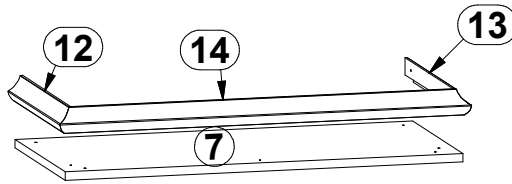


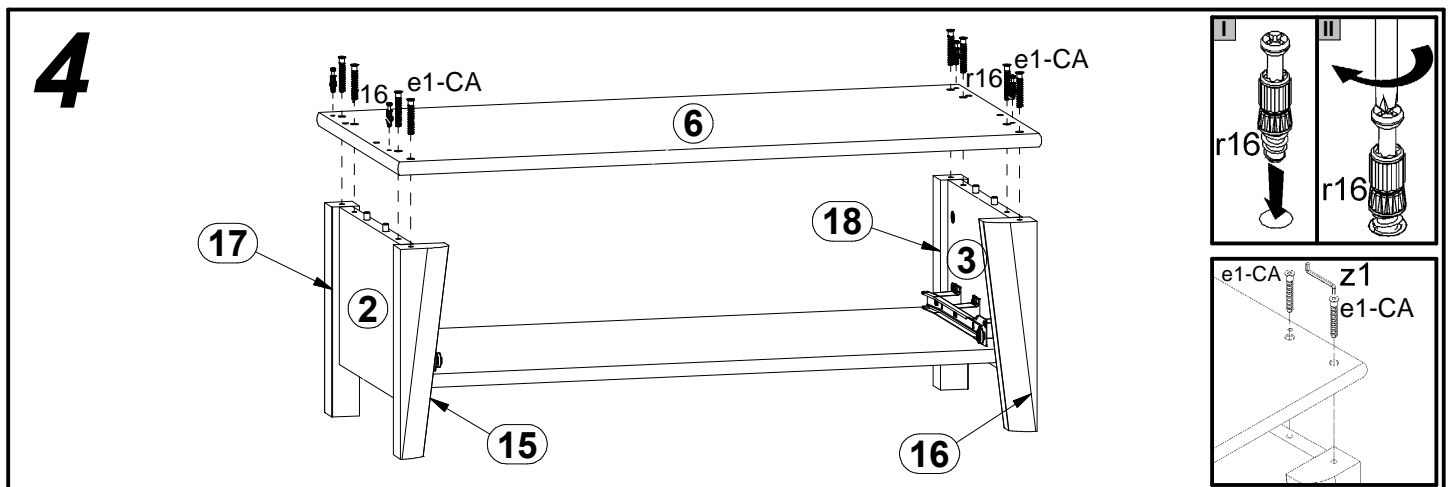
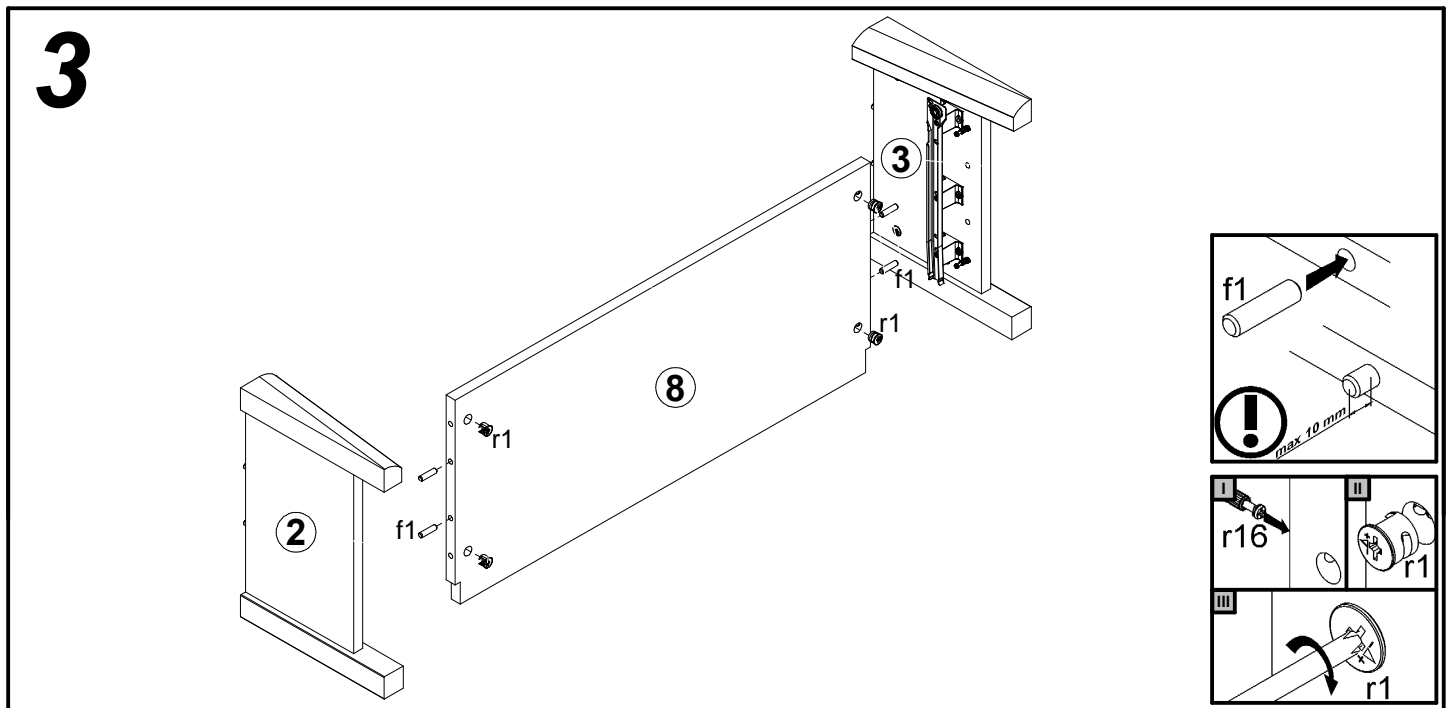
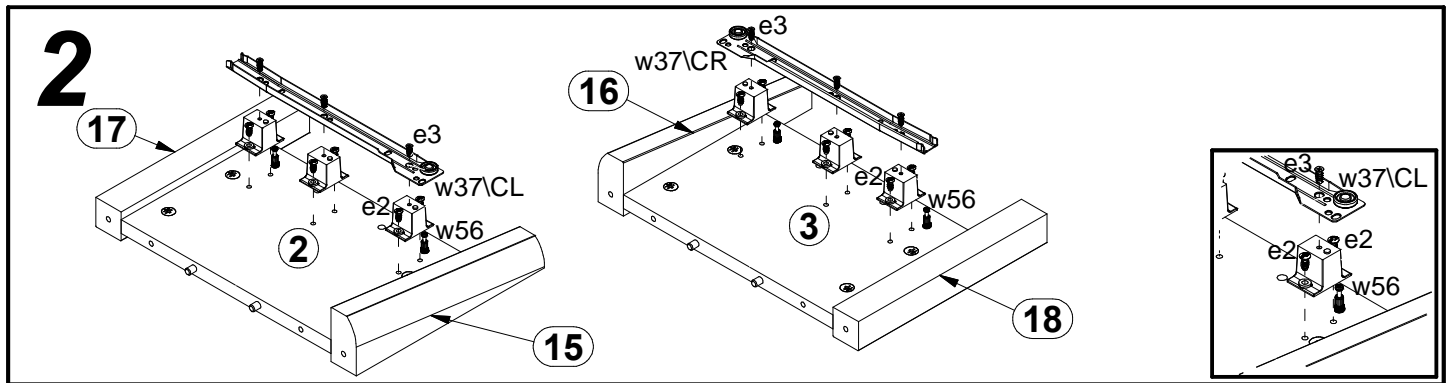
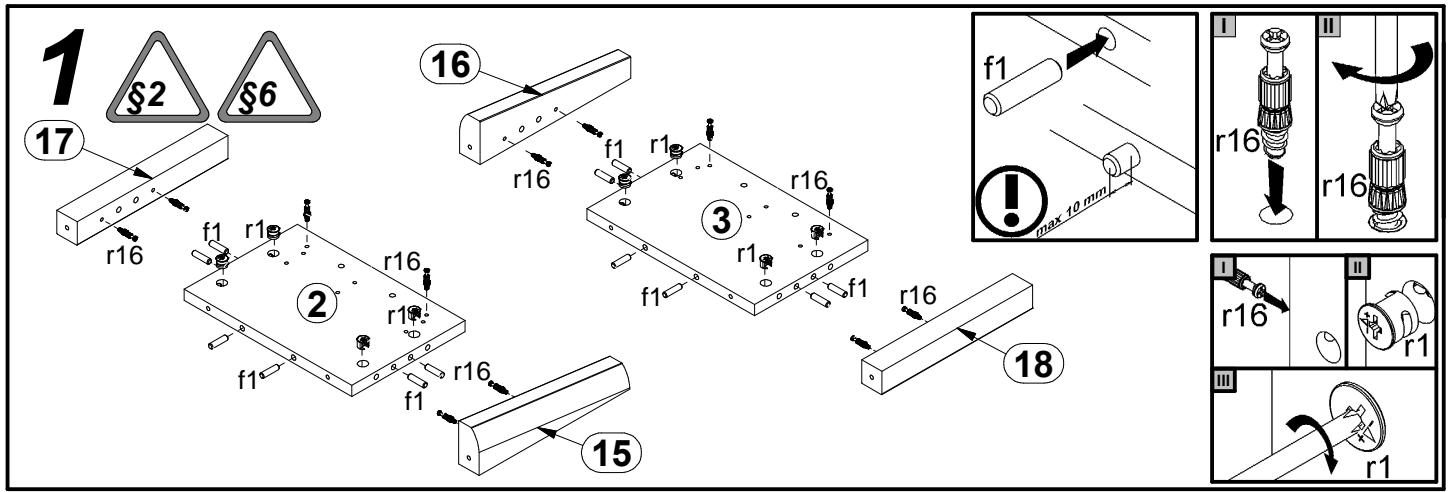
YOKO

S63-REG1S/90

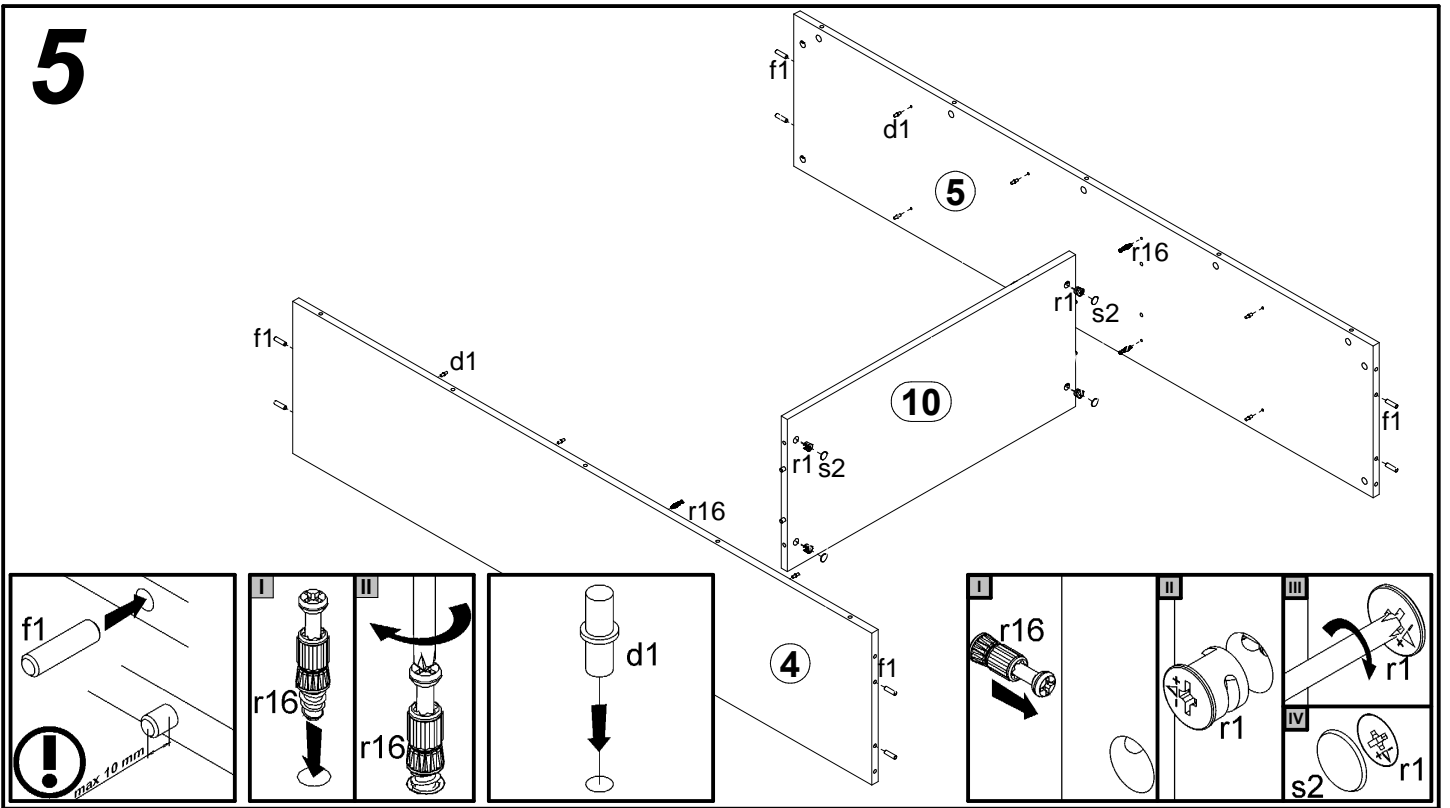
A	B	C	D	
1	S63-013	778	206	3/5
2	S63-101	212	314	3/5
3	S63-102	212	314	3/5
4	S63-110	1680	381	1/5
5	S63-111	1680	381	1/5
6	S63-202	882	415	3/5
7	S63-205	872	410	3/5
8	S63-302	816	352	2/5
9	S63-303	836	380	2/5
10	S63-304	836	381	2/5
11	S63-501	1680	72	4/5
12	S63-502	424	54	4/5
13	S63-503	424	54	4/5
14	S63-504	902	54	4/5
15	S63-571	282	70	5/5
16	S63-572	282	70	5/5
17	S63-573	282	38	5/5
18	S63-574	282	38	5/5
19	S63-908	822	199	1/5
20	S63-911	722	293	1/5
21	S63-913	1711	867	1/5
22	ZS1-1507	308	120	2/5
23	ZS1-1508	711	120	2/5
24	ZS1-1509	711	120	2/5



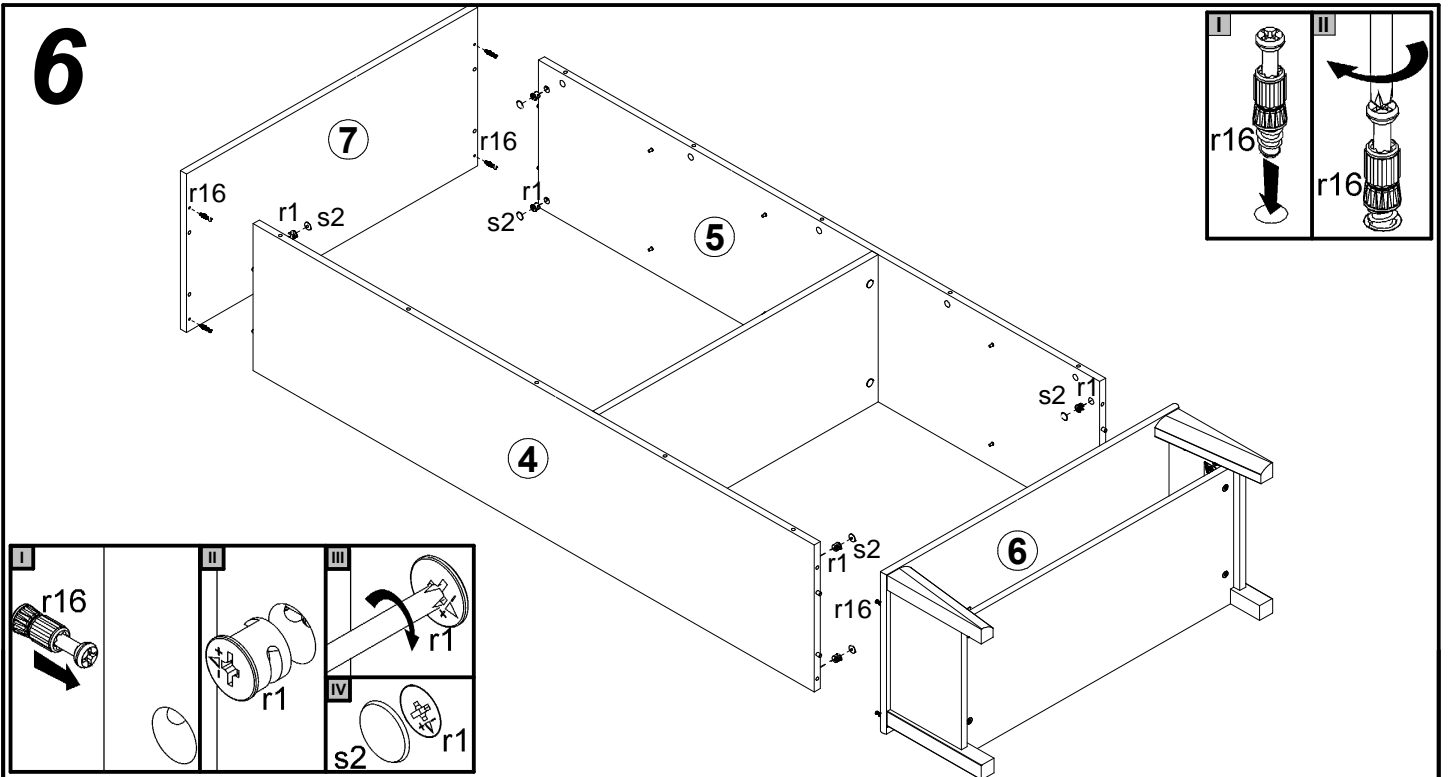
12x $\phi 8 \times 17$ mm d1	8x $\phi 7.5 \times 50$ mm e1-CA	12x $\phi 6.3 \times 13$ mm e2	6x $\phi 6 \times 13$ mm e3	8x $\phi 5 \times 50$ mm e32	28x $\phi 8 \times 30$ mm f1	2x M4x20 mm j1	75x $25 \times 2.5 \times 162$ mm l1	7x $25 \times 2.5 \times 162$ mm n110
4x $\phi 2.5 \times 13$ mm p15	2x $\phi 3.5 \times 16$ mm p25	14x $\phi 4 \times 13$ mm p93	34x $\phi 1.5 \times 12$ mm #16 r1	34x $\phi 1.5 \times 12$ mm #16 r16	2x $\phi 2.1 \times 10$ mm r31	22x $\phi 16$ s2	1x 283 mm t18	1x 300 mm w37/CL
1x 300 mm w37/CR	1x 300 mm w37/DL	1x 300 mm w37/DR	6x b-28 mm w56	1x z1				



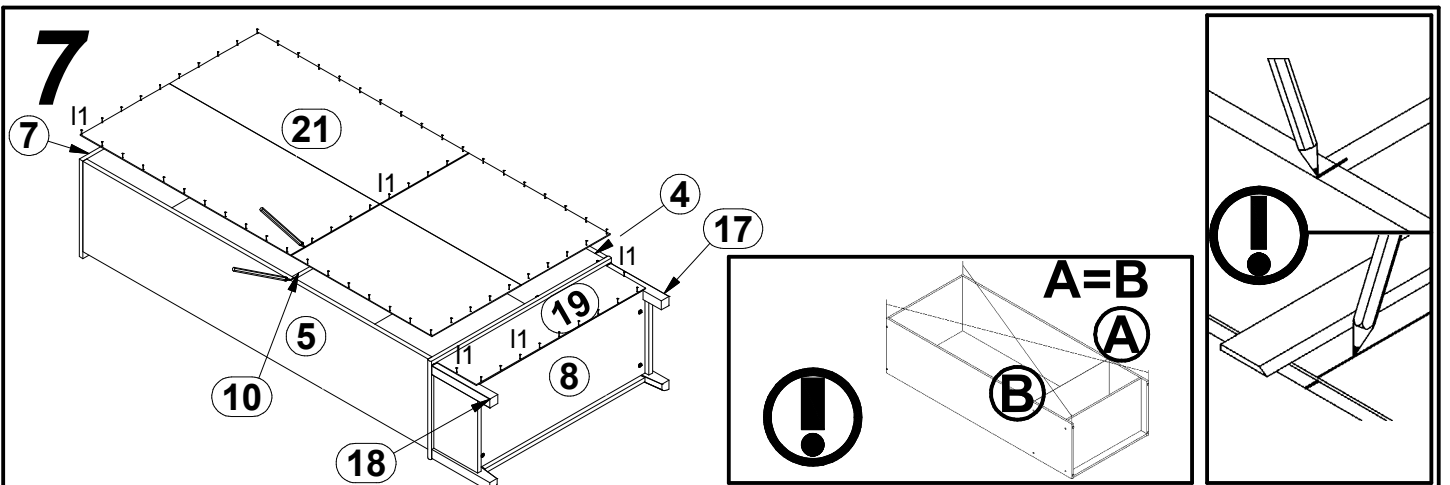
5



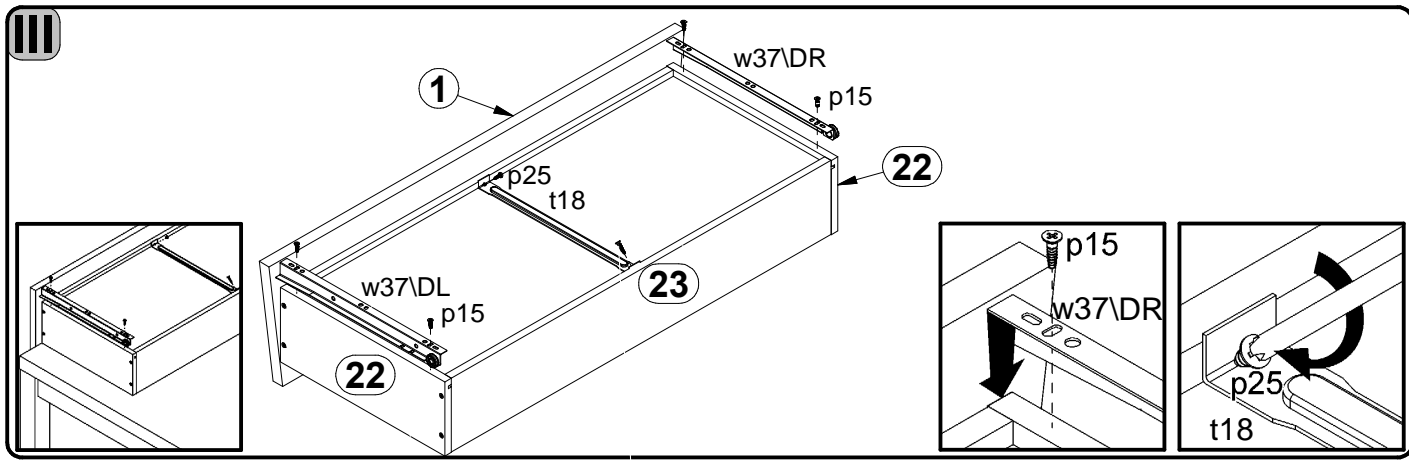
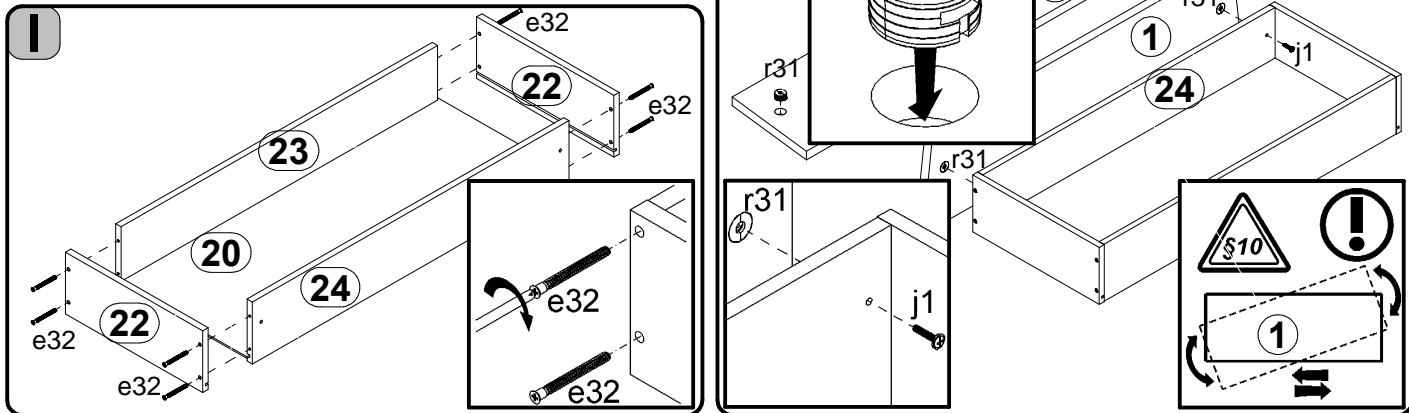
6



7



8



9

