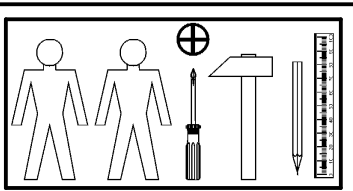
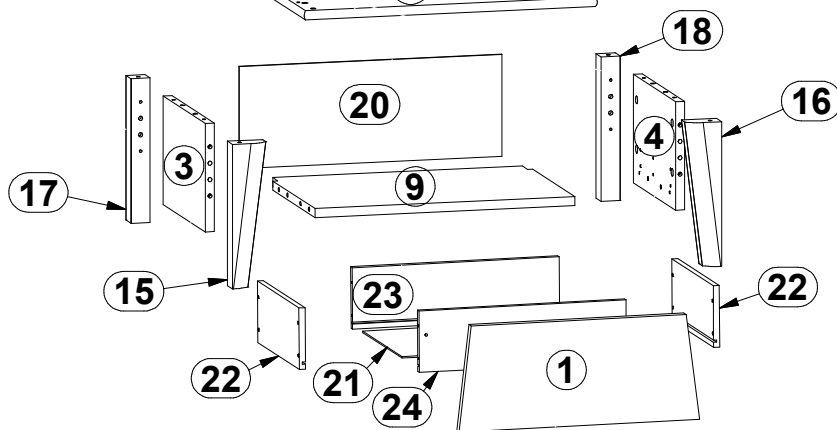
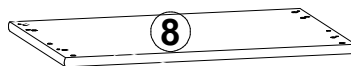
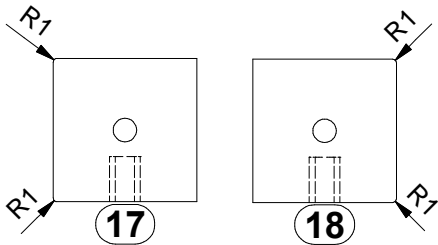
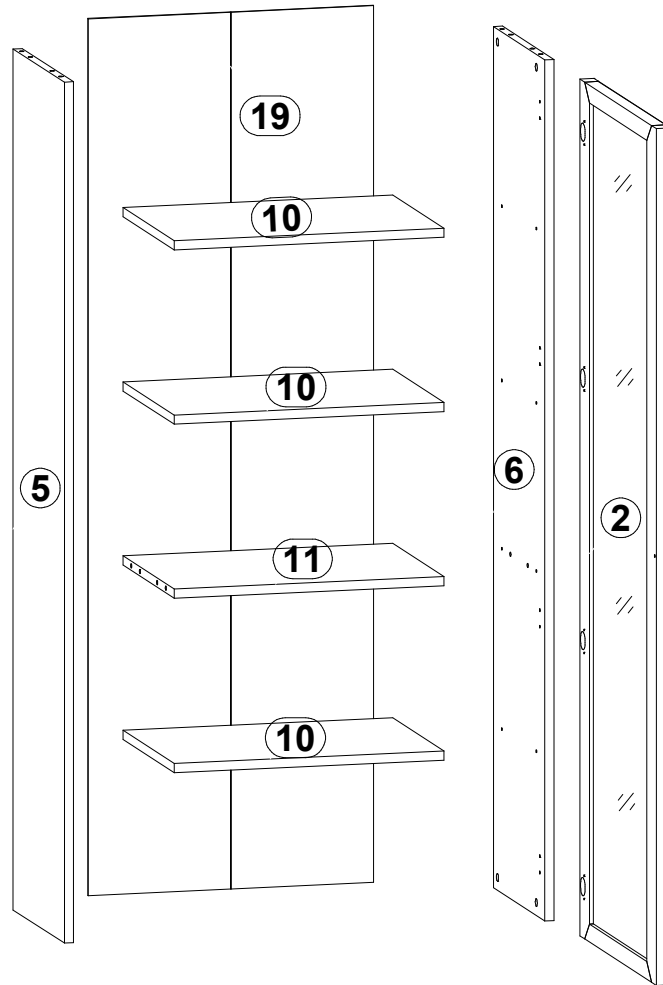
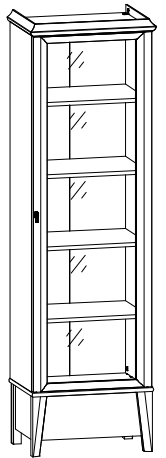
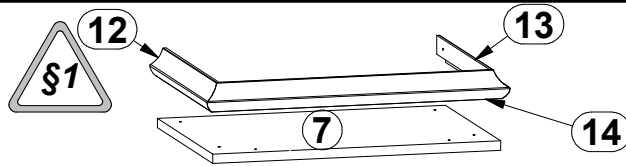


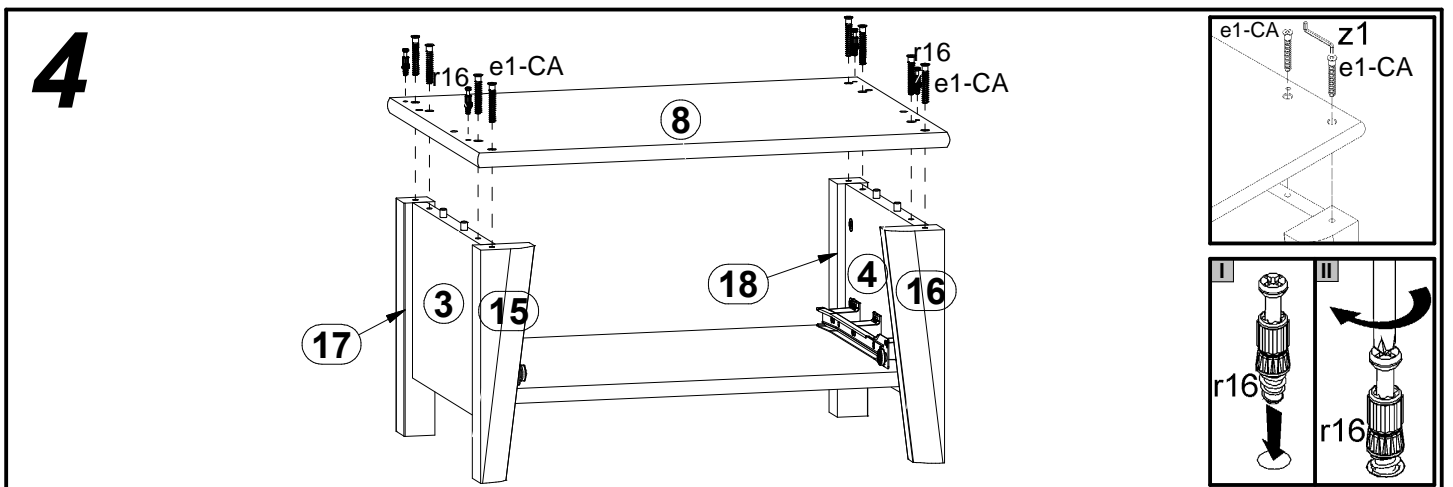
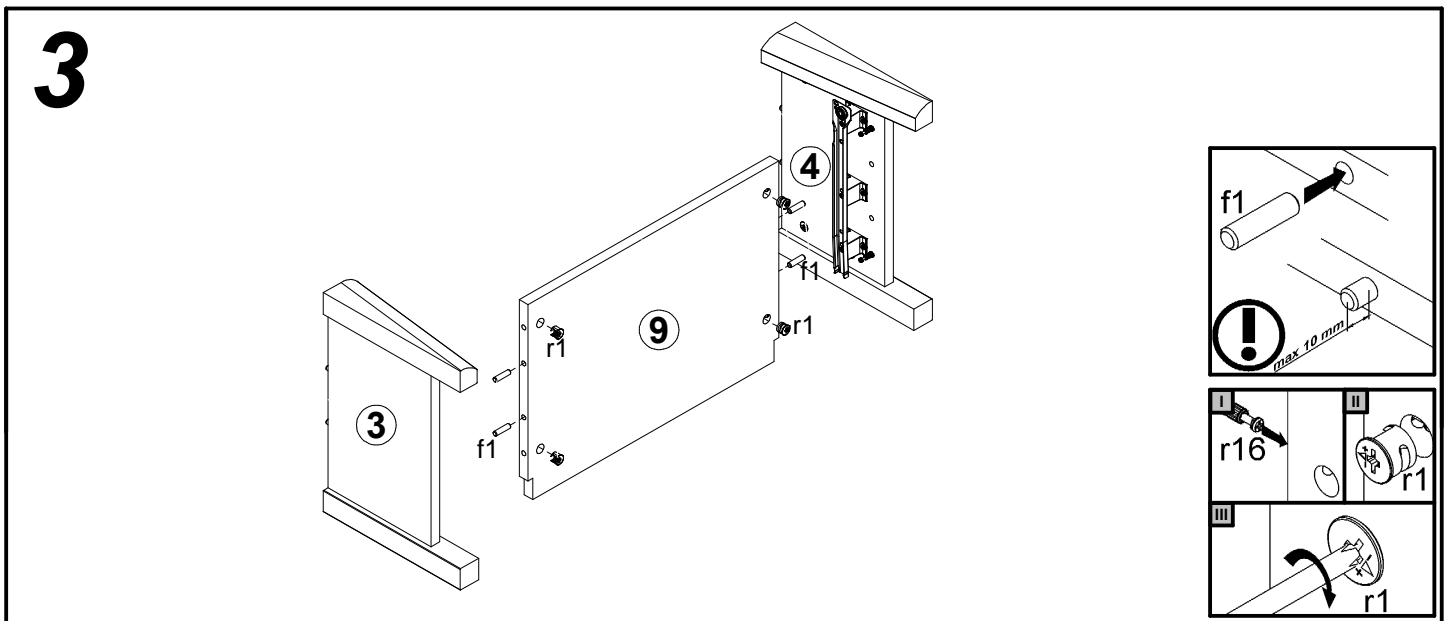
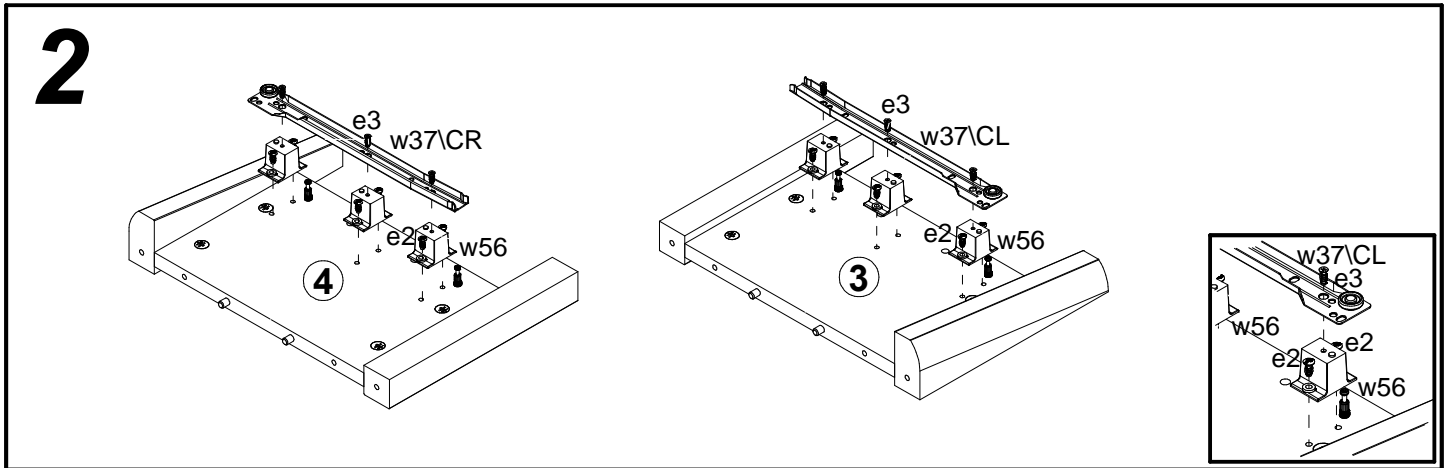
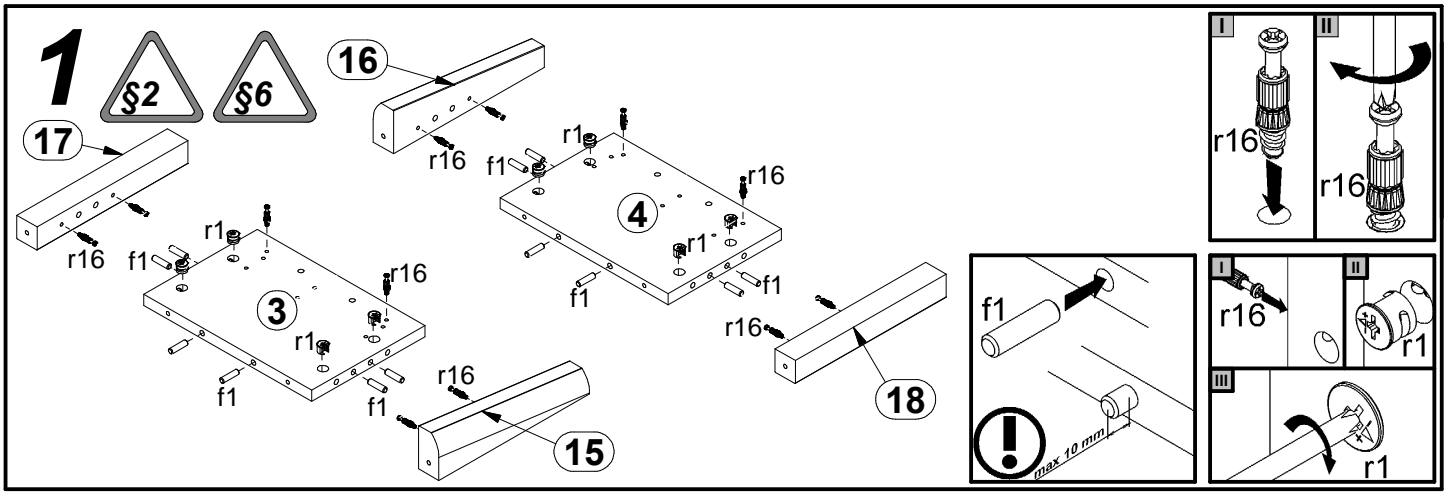
YOKO

S63-REG1W1S/60

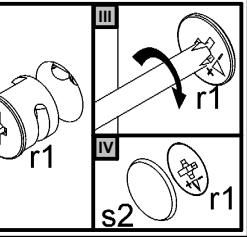
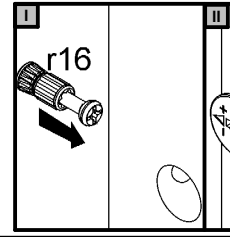
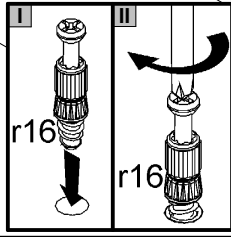
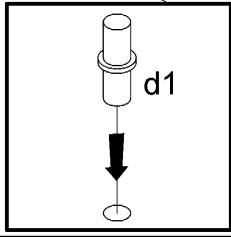
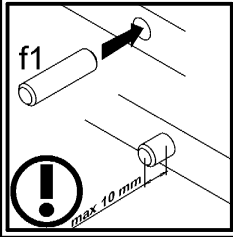
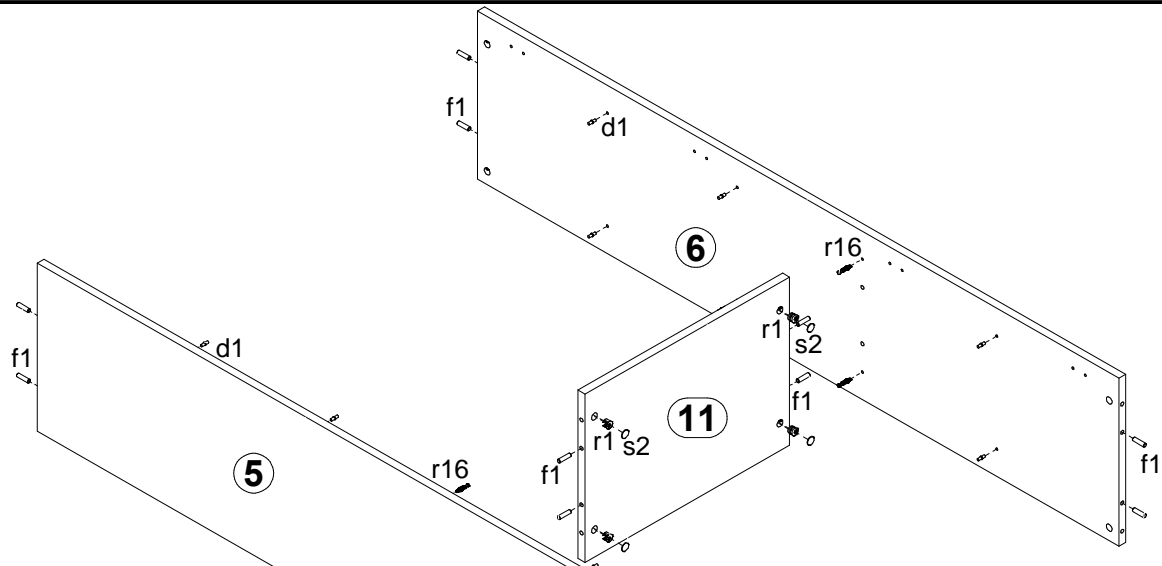
A	B	C	D	
1	S63-037	478	206	2/5
2	S63-038	1672	568	5/5
3	S63-101	212	314	2/5
4	S63-102	212	314	2/5
5	S63-119	1680	381	1/5
6	S63-120	1680	381	1/5
7	S63-210	572	410	2/5
8	S63-211	582	415	2/5
9	S63-317	516	352	2/5
10	S63-318	536	380	2/5
11	S63-319	536	381	2/5
12	S63-502	424	54	3/5
13	S63-503	424	54	3/5
14	S63-508	600	54	3/5
15	S63-571	282	70	4/5
16	S63-572	282	70	4/5
17	S63-573	282	38	4/5
18	S63-574	282	38	4/5
19	S63-930	1711	567	1/5
20	S63-931	522	199	1/5
21	S63-932	422	293	1/5
22	ZS1-1507	308	120	2/5
23	ZS1-1526	411	120	2/5
24	ZS1-1527	411	120	2/5



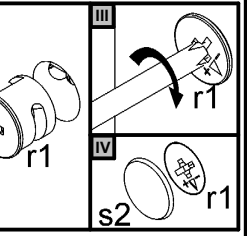
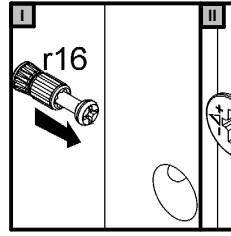
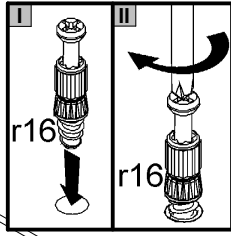
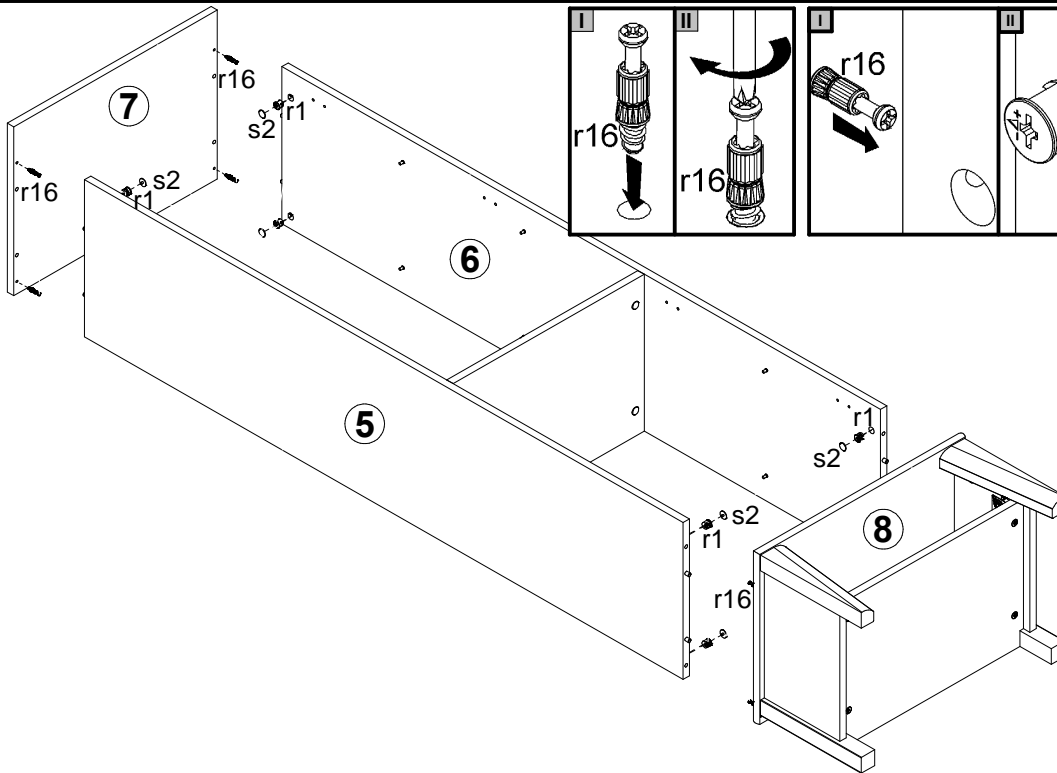
4x a44	4x b33	1x c218/1	1x c218/4	12x φ5x17 mm d1	8x φ7x50 mm e1-CA	20x φ6,3x13 mm e2	6x φ6x13 mm e3	8x φ5x50 mm e32
28x φ8x30 mm f1	2x M4x20 mm j1	1x M4x33 mm j20	60x l1	6x 25x25x16/2 mm n110	4x φ2,5x13 mm p15	2x φ3,5x13 mm p27	8x φ3,5x15 mm p51	12x φ4x13 mm p93
24x φ15x12mm #16 r1	24x r16	2x φ21x10mm r31	12x φ16 s2	1x 300 mm w37/CL	1x 300 mm w37/CR	1x 300 mm w37/DL	1x 300 mm w37/DR	6x h=28 mm w56
1x z1								



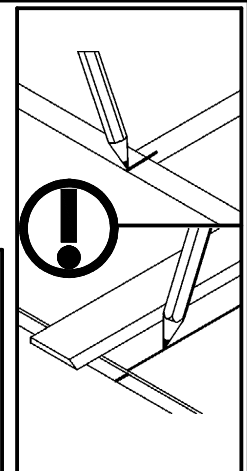
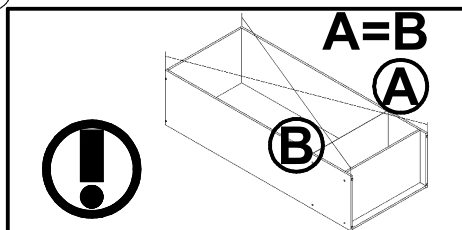
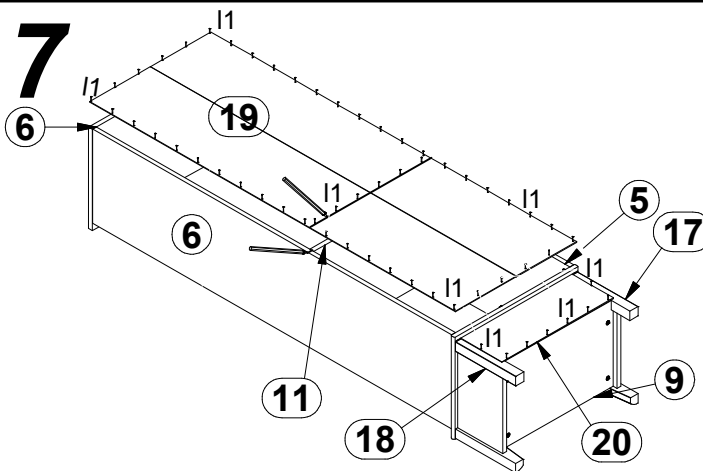
5



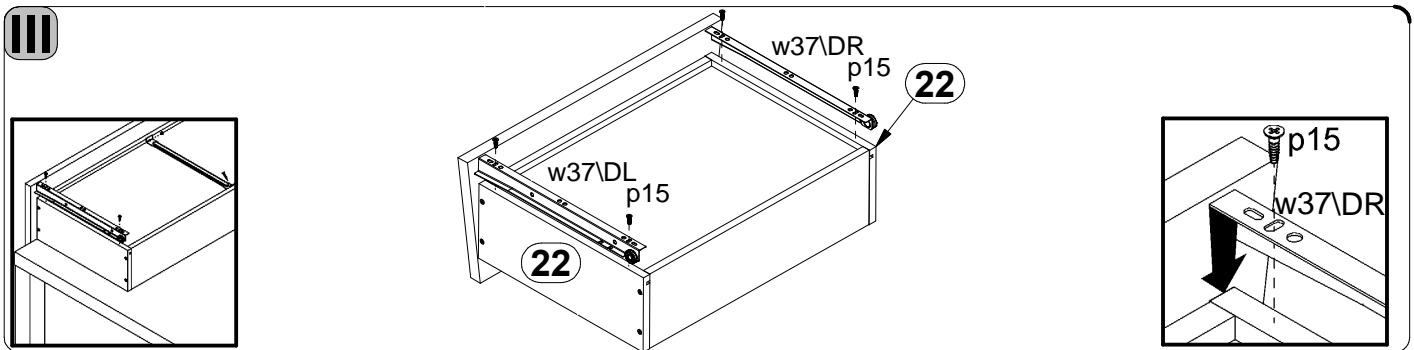
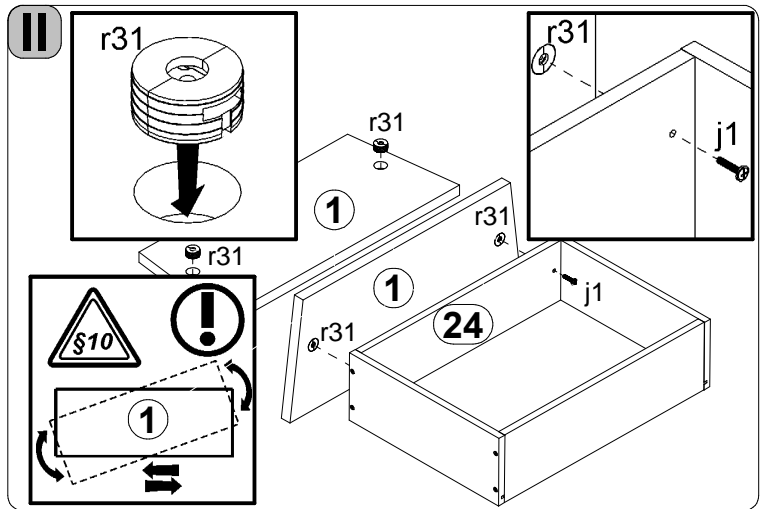
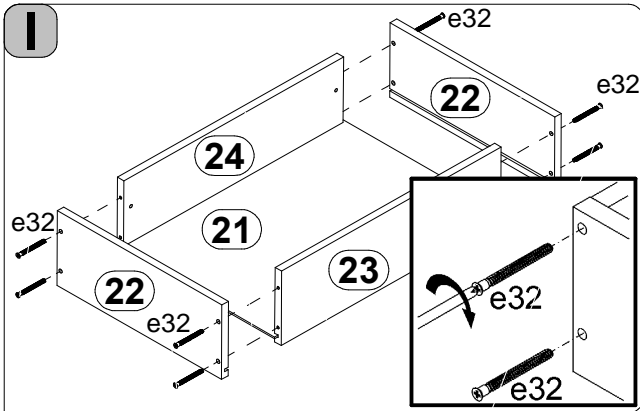
6



7



8



9

