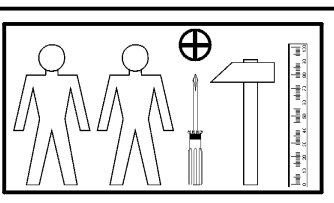
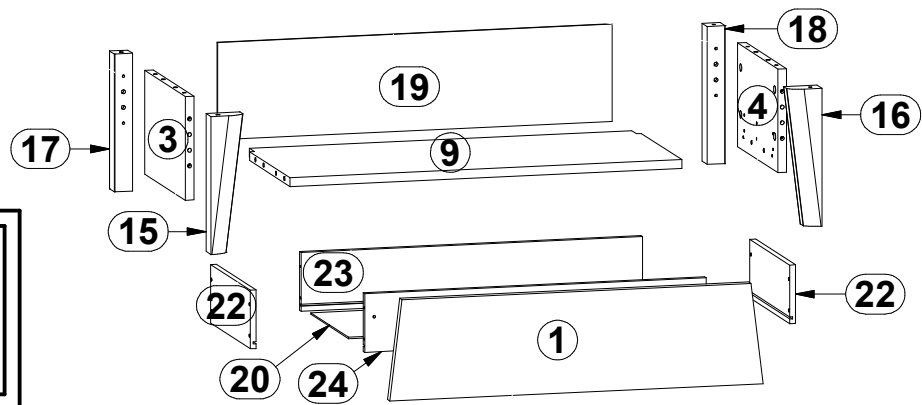
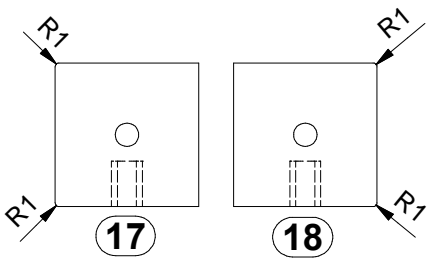
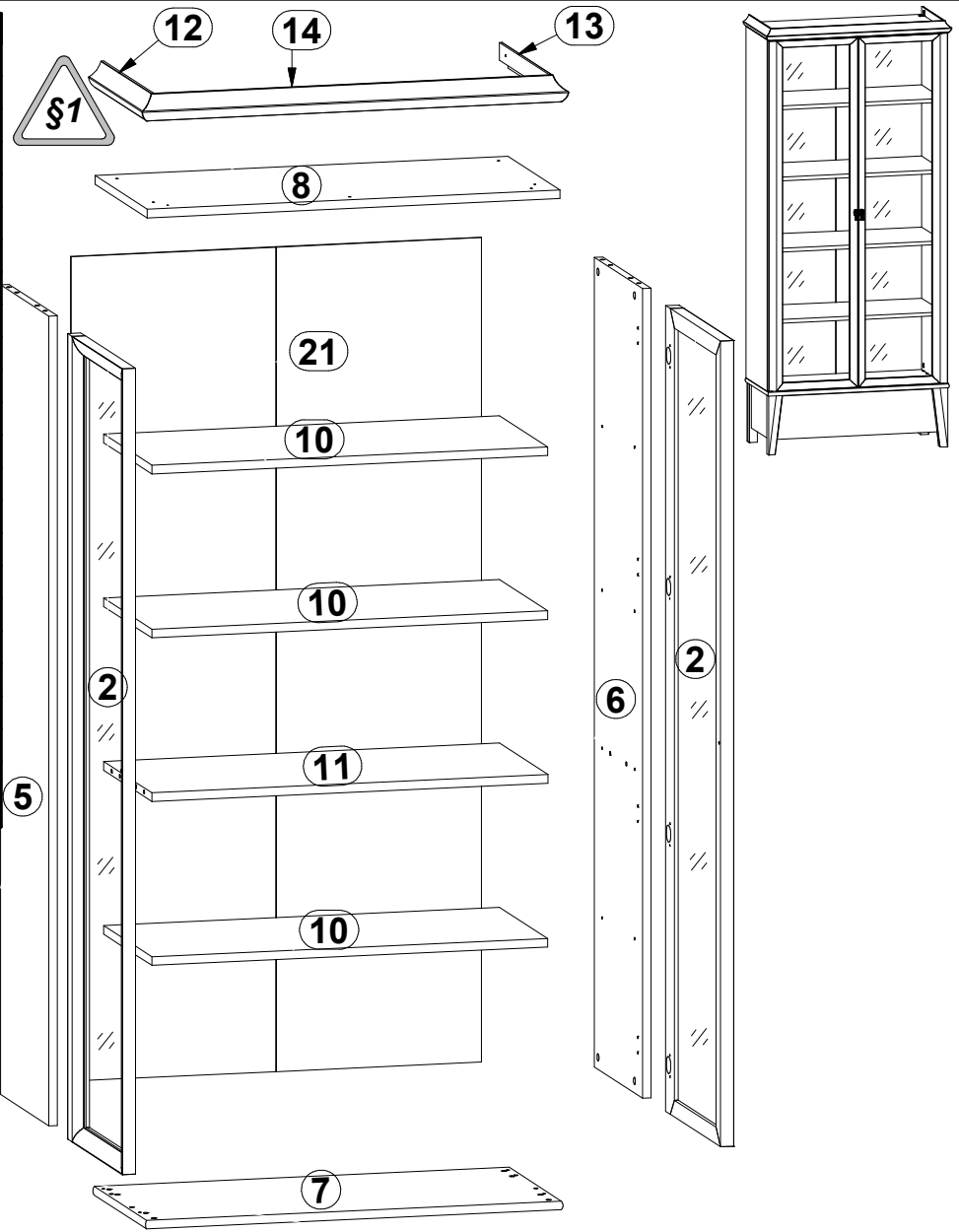


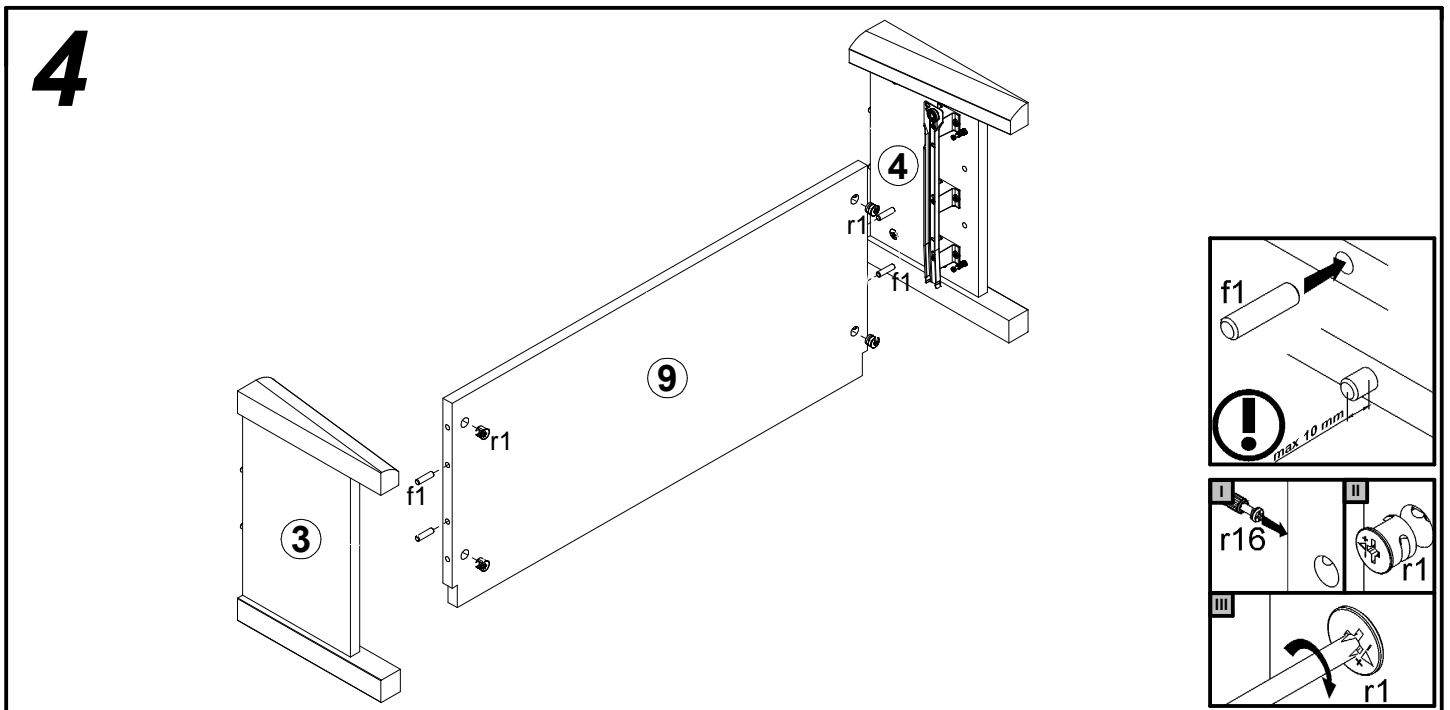
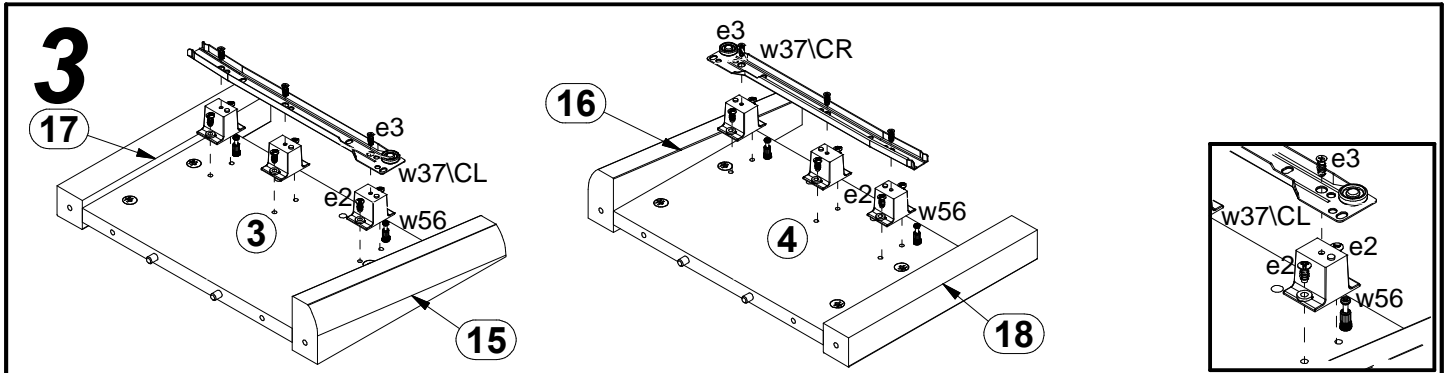
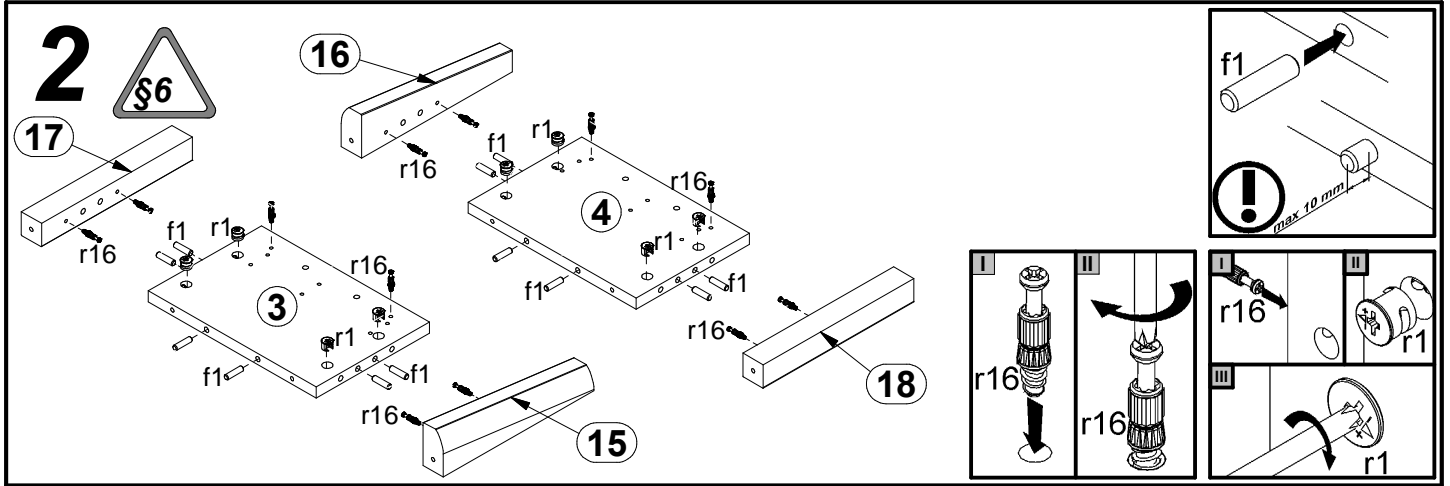
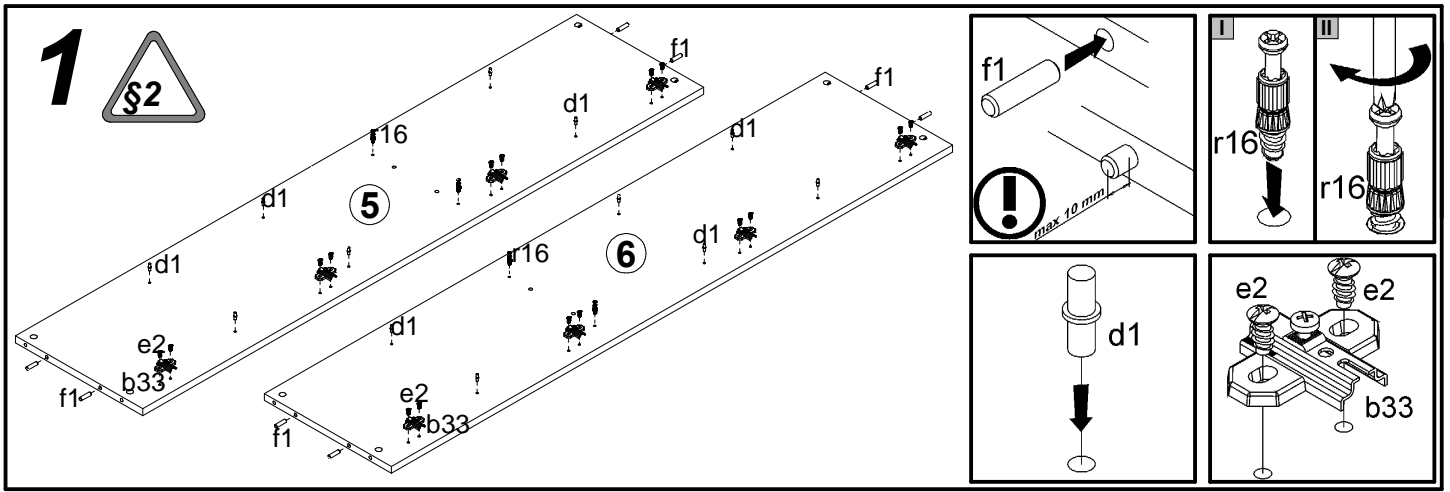
YOKO

S63-REG2W1S/90

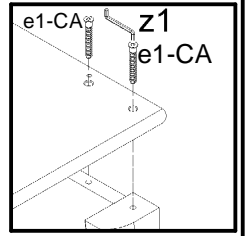
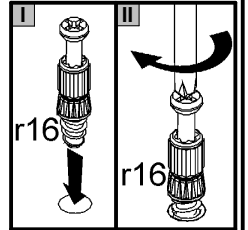
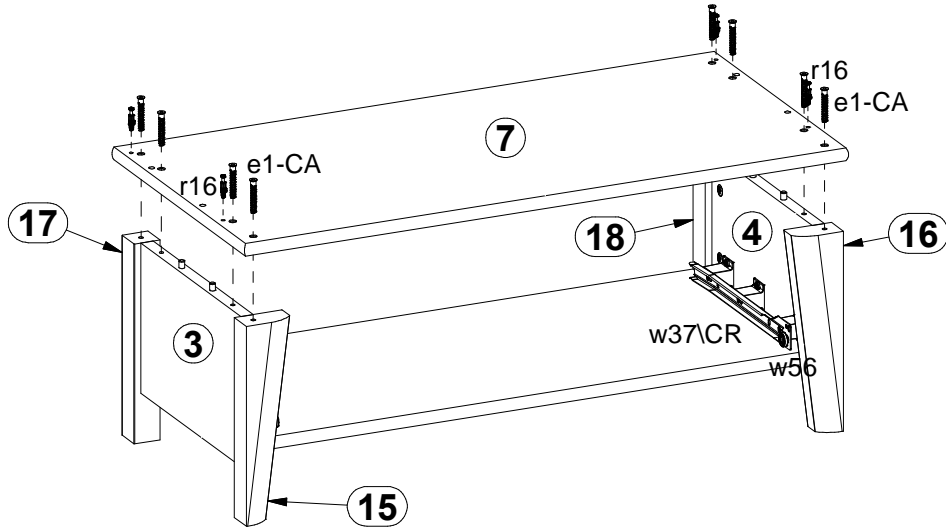
A	B	C	D	
1	S63-013	778	206	3/6
2	S63-026	1672	432	6/6
3	S63-101	212	314	3/6
4	S63-102	212	314	3/6
5	S63-119	1680	381	1/6
6	S63-120	1680	381	1/6
7	S63-202	882	415	3/6
8	S63-205	872	410	3/6
9	S63-302	816	352	2/6
10	S63-303	836	380	2/6
11	S63-304	836	381	2/6
12	S63-502	424	54	4/6
13	S63-503	424	54	4/6
14	S63-504	902	54	4/6
15	S63-571	282	70	5/6
16	S63-572	282	70	5/6
17	S63-573	282	38	5/6
18	S63-574	282	38	5/6
19	S63-908	822	199	1/6
20	S63-911	722	293	1/6
21	S63-913	1711	867	1/6
22	ZS1-1507	308	120	2/6
23	ZS1-1508	711	120	2/6
24	ZS1-1509	711	120	2/6



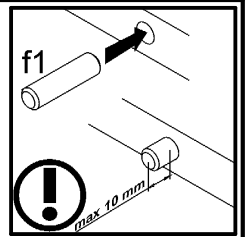
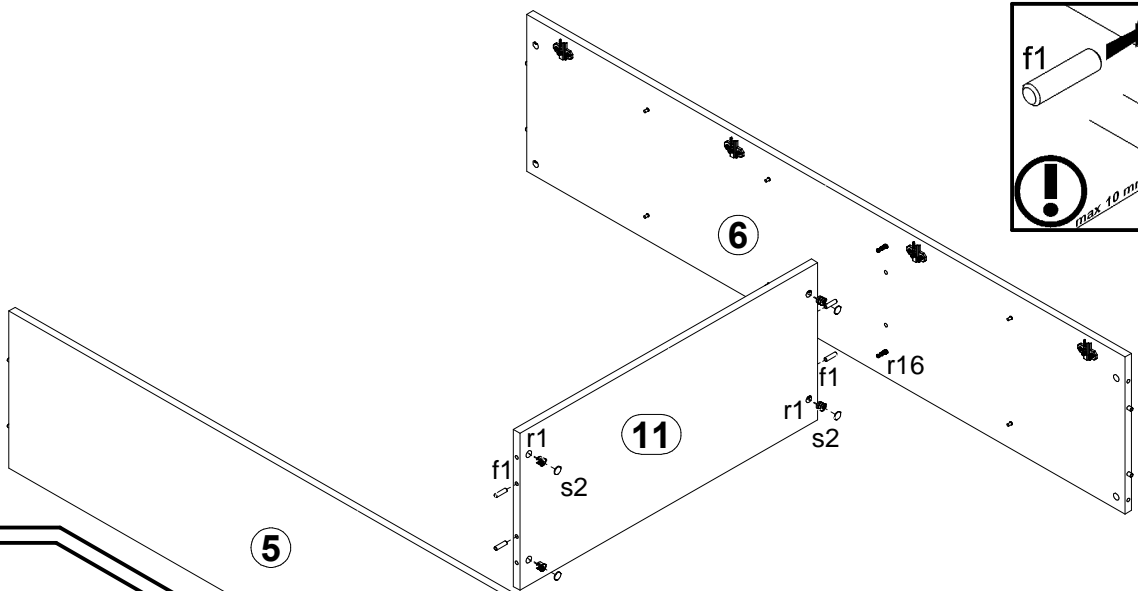
8x a44	8x b33	2x c218/2	2x c218/4	12x d1	8x e1-CA	28x e2	6x e3	8x e32
28x f1	2x j1	2x j20	75x l1	7x n110	4x p15	2x p25	16x p51	14x p93
24x r1	24x r16	2x r31	12x s2	1x t18	1x w37/CL	1x w37/CR	1x w37/DL	1x w37/DR
6x w56	1x z1	1x n26/1	1x p38					



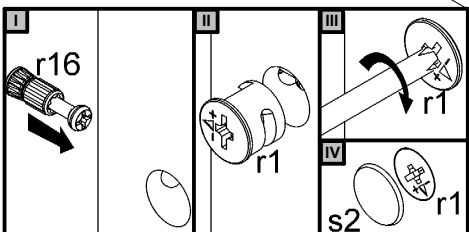
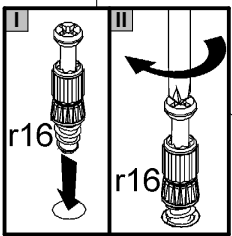
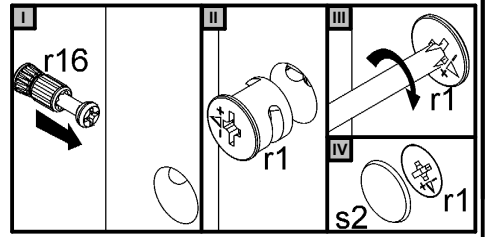
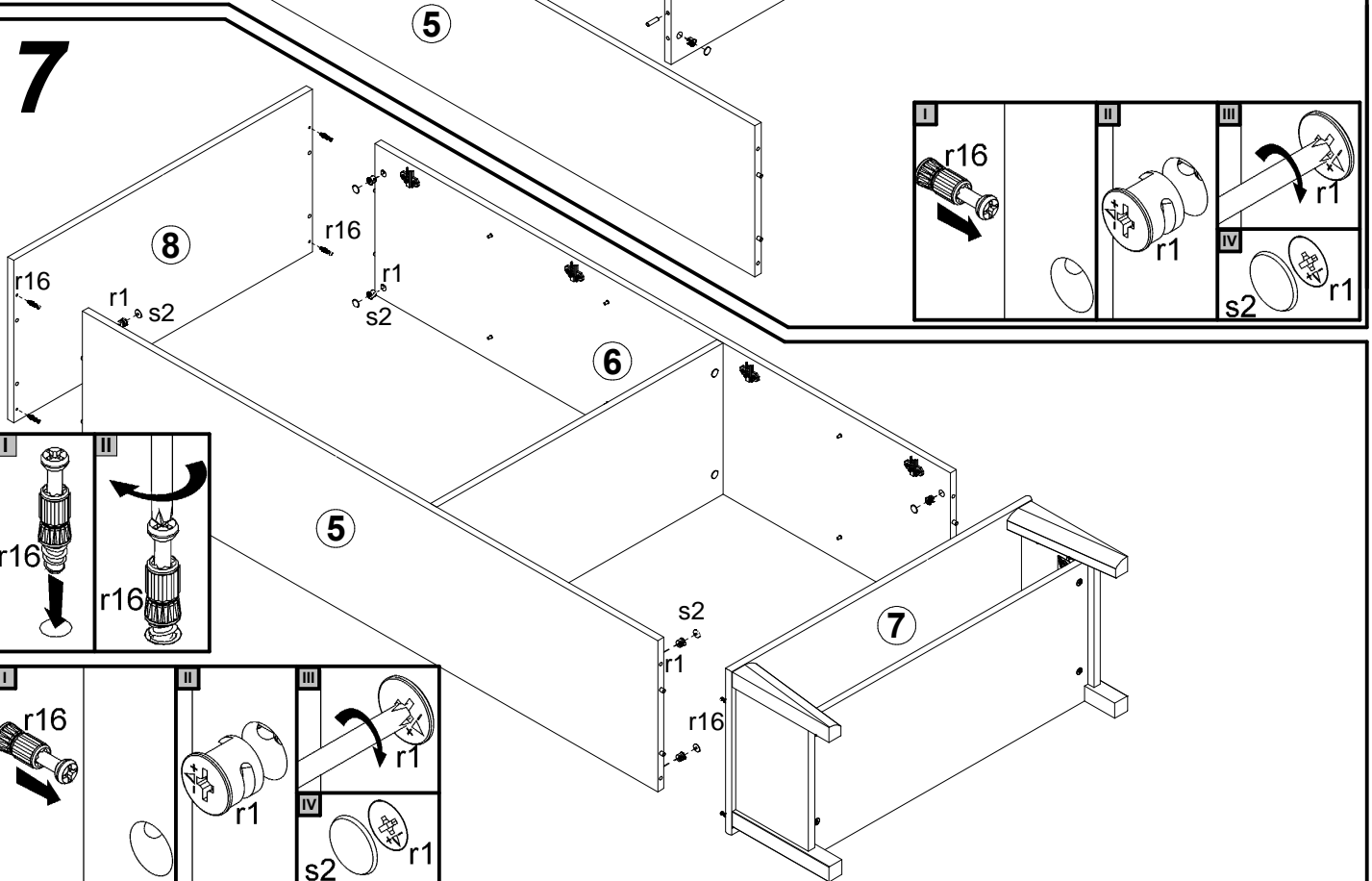
5



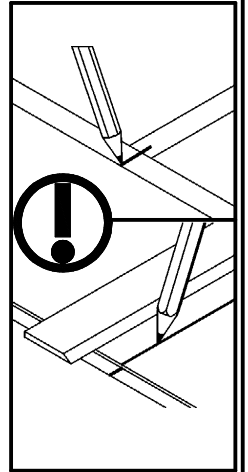
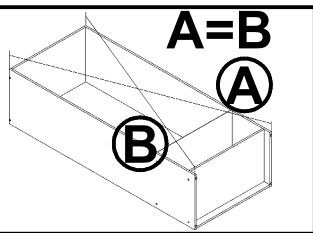
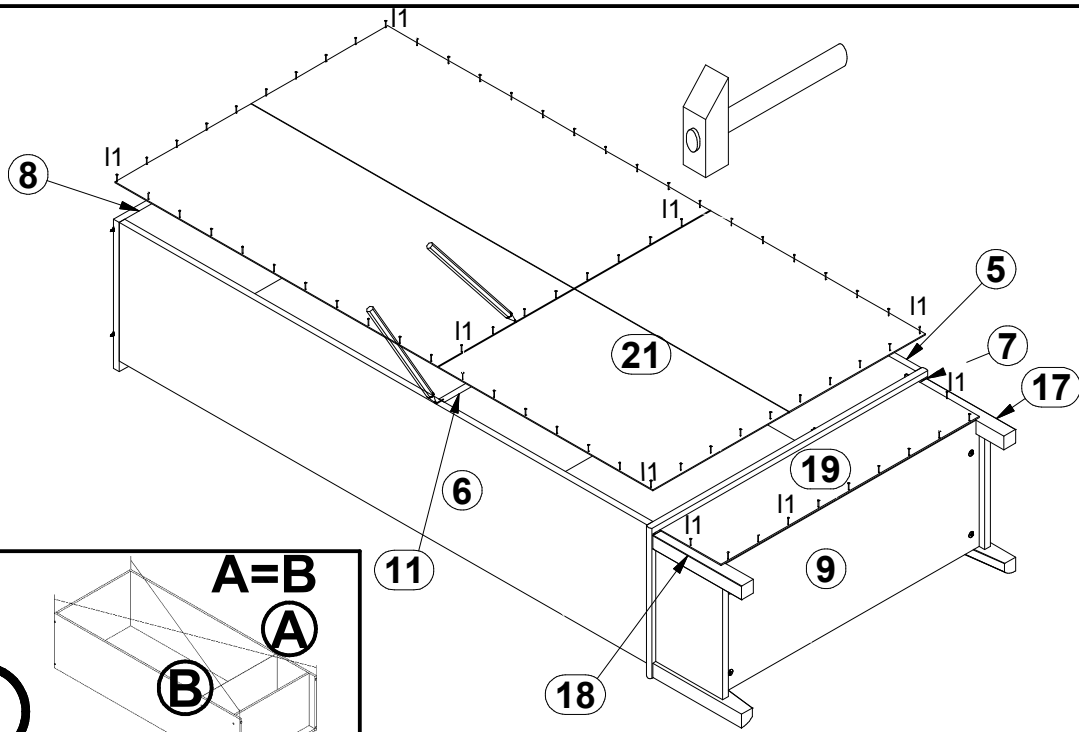
6



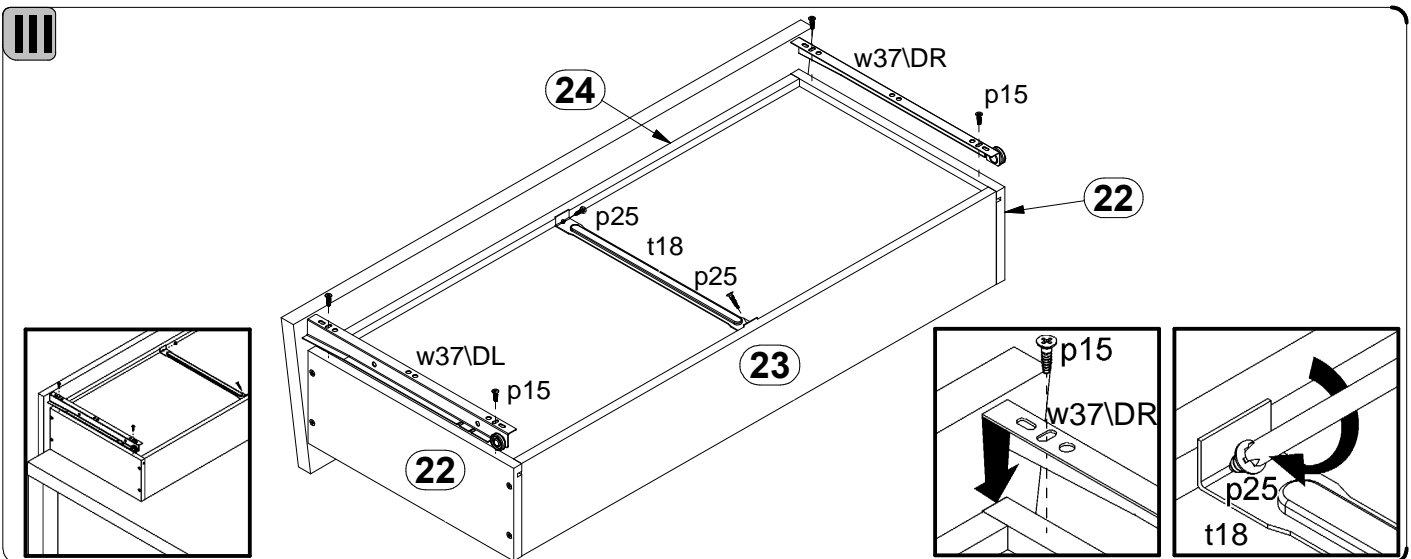
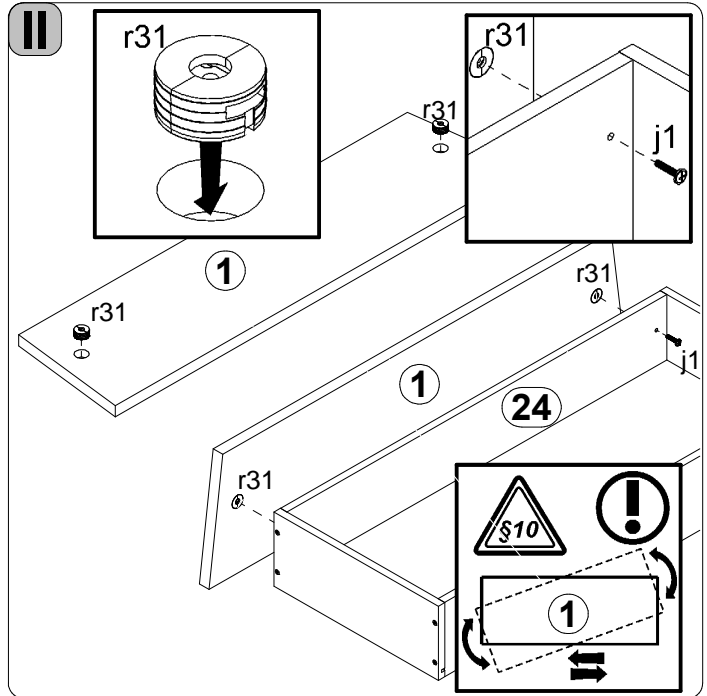
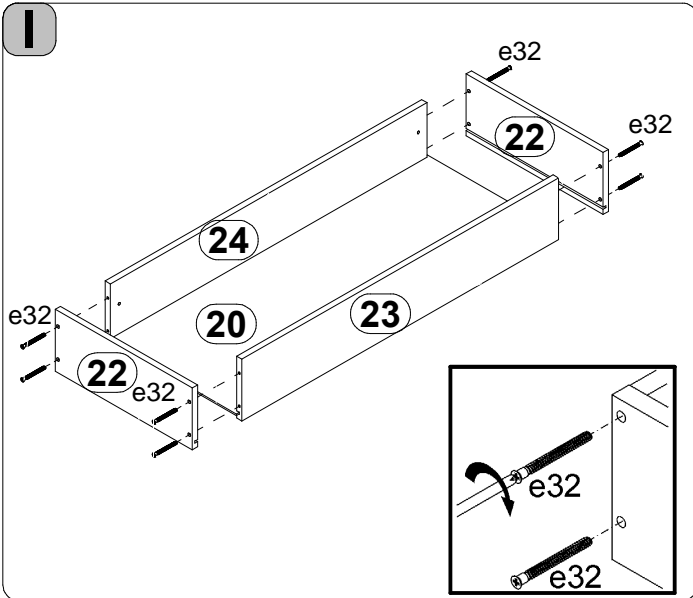
7



8



9



9
§18

