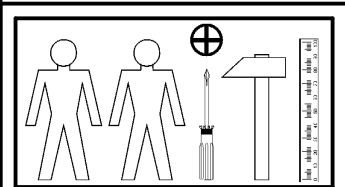
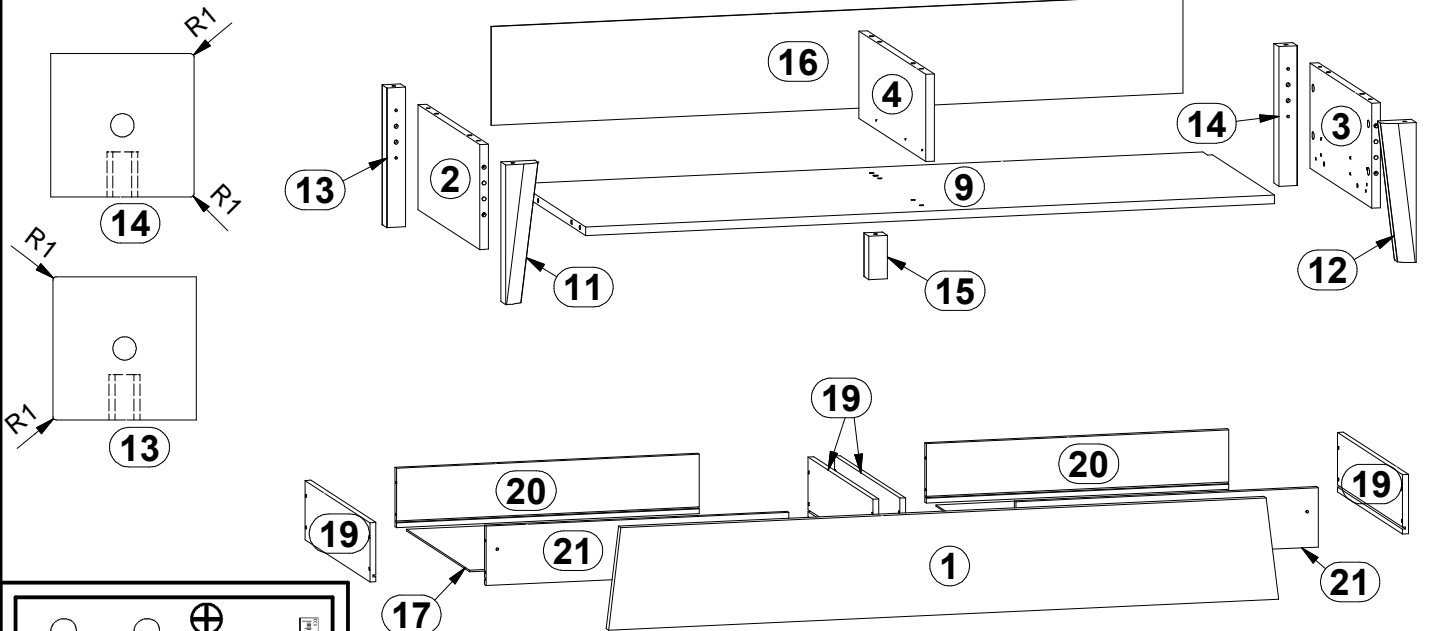
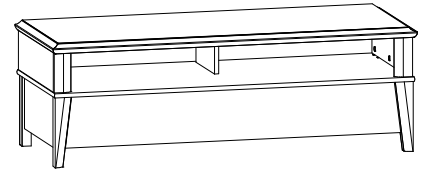
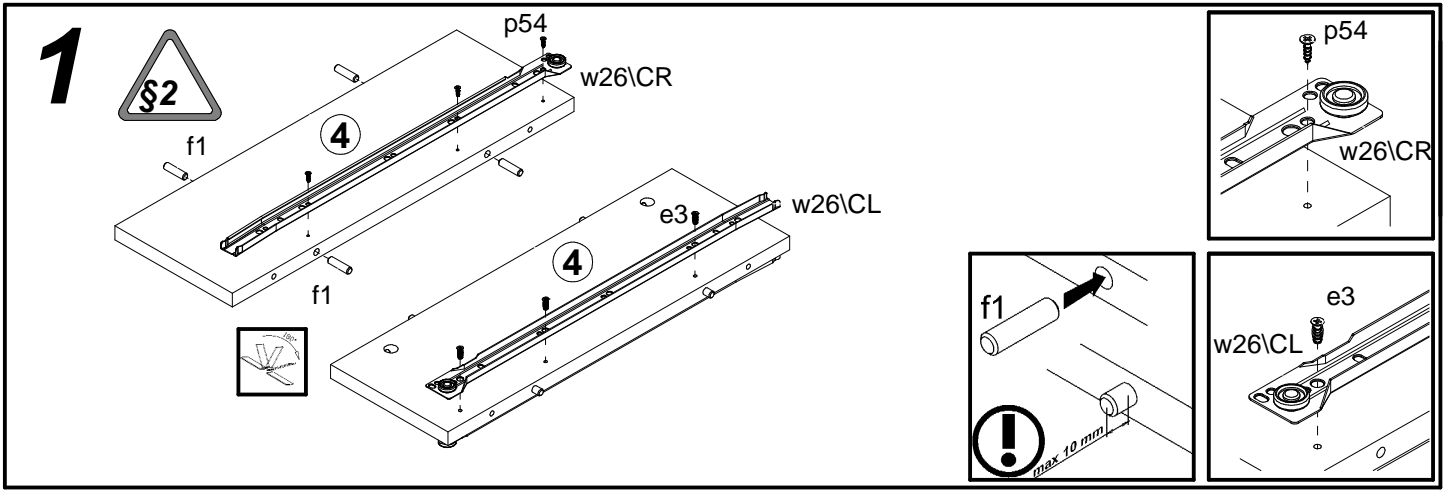


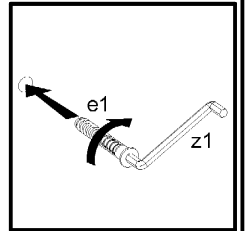
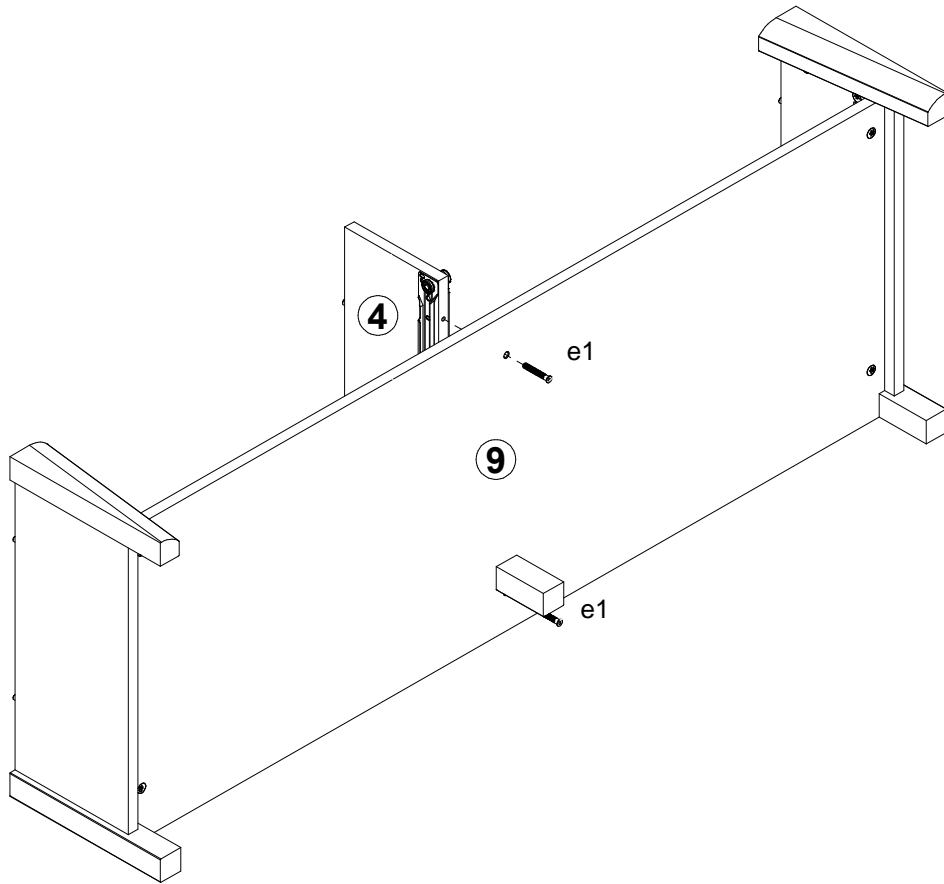
A	B	C	D	
1	S63-018	1378	206	1/4
2	S63-143	212	474	1/4
3	S63-144	212	474	1/4
4	S63-145	176	512	1/4
5	S63-148	160	541	1/4
6	S63-150	160	284	1/4
7	S63-214	1482	575	2/4
8	S63-261	1500	584	2/4
9	S63-320	1416	512	2/4
10	S63-509	160	72	1/4
11	S63-571	282	70	3/4
12	S63-572	282	70	3/4
13	S63-573	282	38	3/4
14	S63-574	282	38	3/4
15	S63-597	88	38	3/4
16	S63-933	1422	199	2/4
17	S63-934	633	485	2/4
18	S63-935	213	1466	2/4
19	ZS1-1501	500	120	1/4
20	ZS1-1517	622	120	1/4
21	ZS1-1518	622	120	1/4



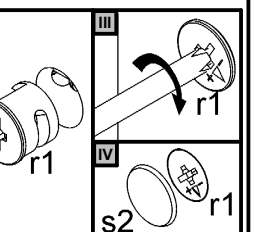
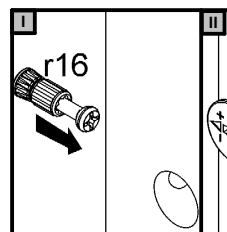
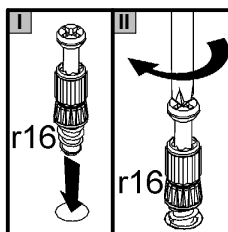
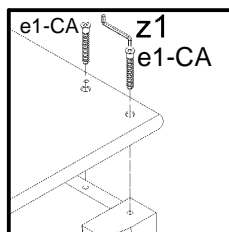
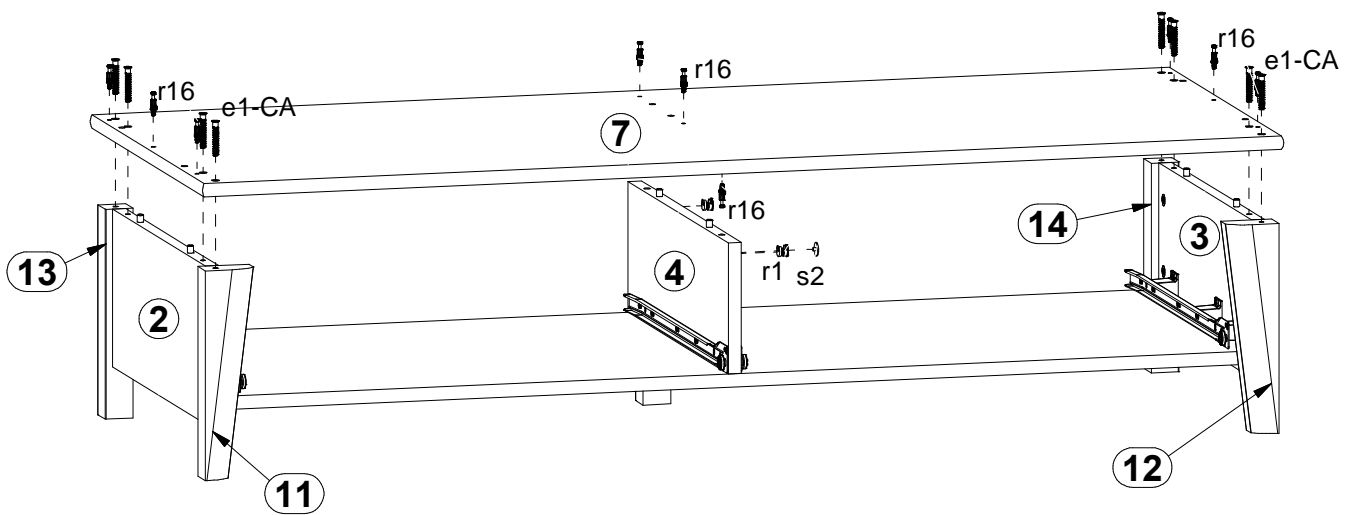
3x φ7x50 mm e1	8x φ7x50 mm e1-CA	12x φ6,3x13 mm e2	9x φ6x13 mm e3	16x φ5x50 mm e32	32x φ8x30 mm f1	4x M4x20 mm j1	55x l1	8x φ2,5x13 mm p15
4x φ3,5x16 mm p25	3x φ3x12 mm p54	34x φ15x12mm #16 r1	34x r16	4x φ21x10mm r31	21x φ16 s2	2x 475 mm t32	2x 500 mm w26 CL	2x 500 mm w26 CR
2x 500 mm w26 DL	2x 500 mm w26 DR	6x h=28 mm w56	1x z1	1x n26 1	1x φ3,5x16 mm p38			



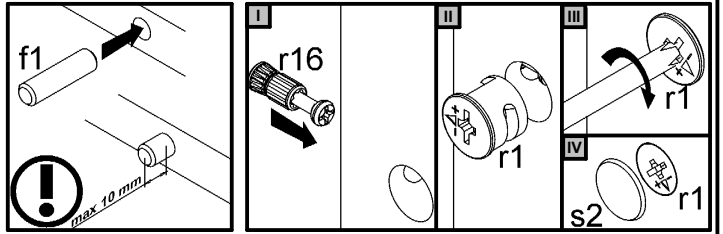
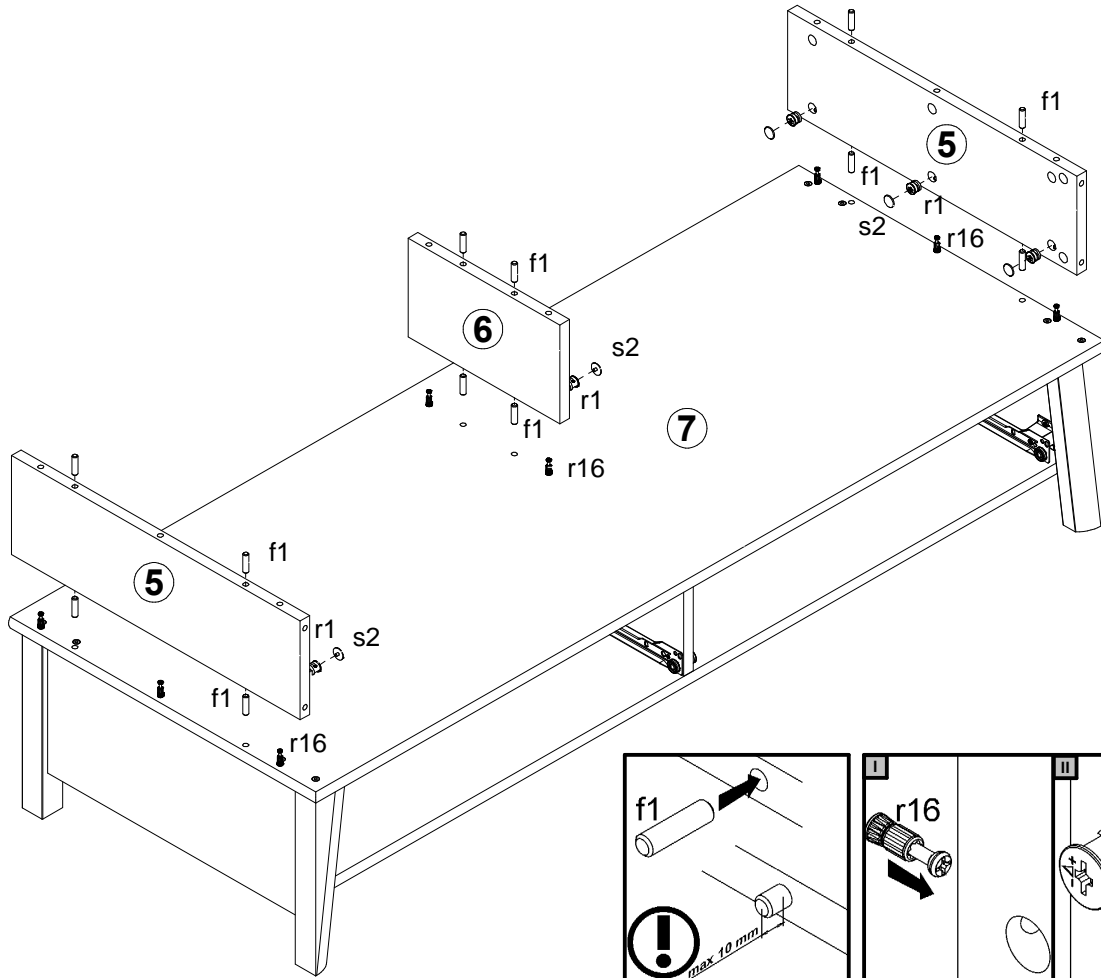
5



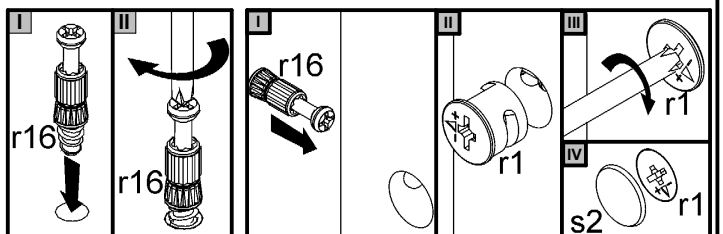
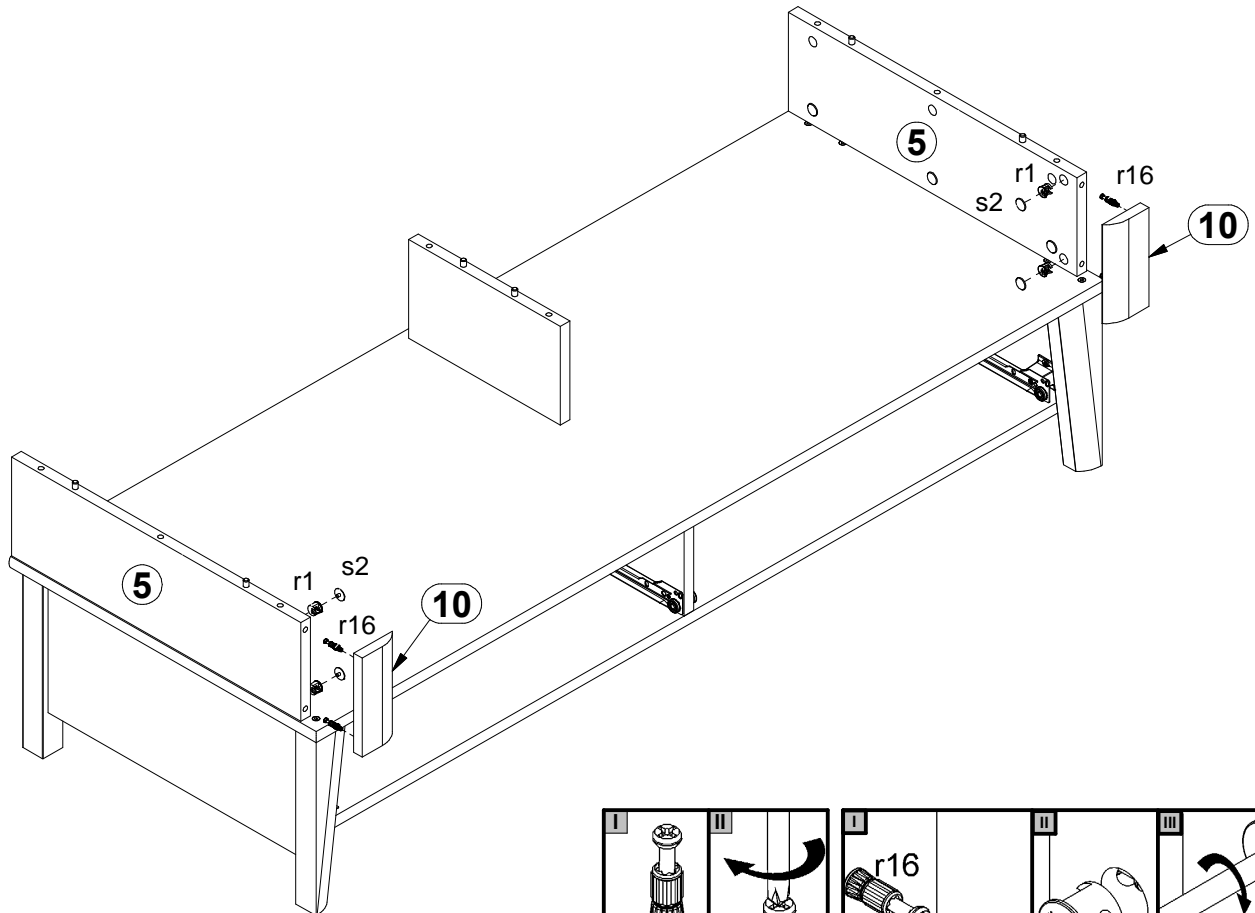
6



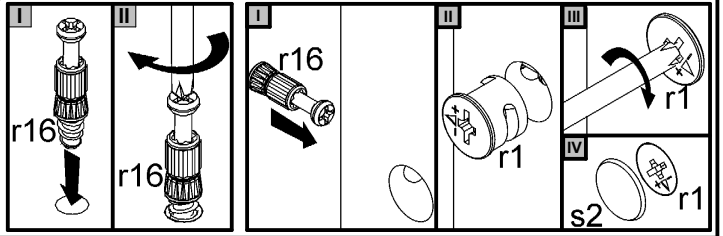
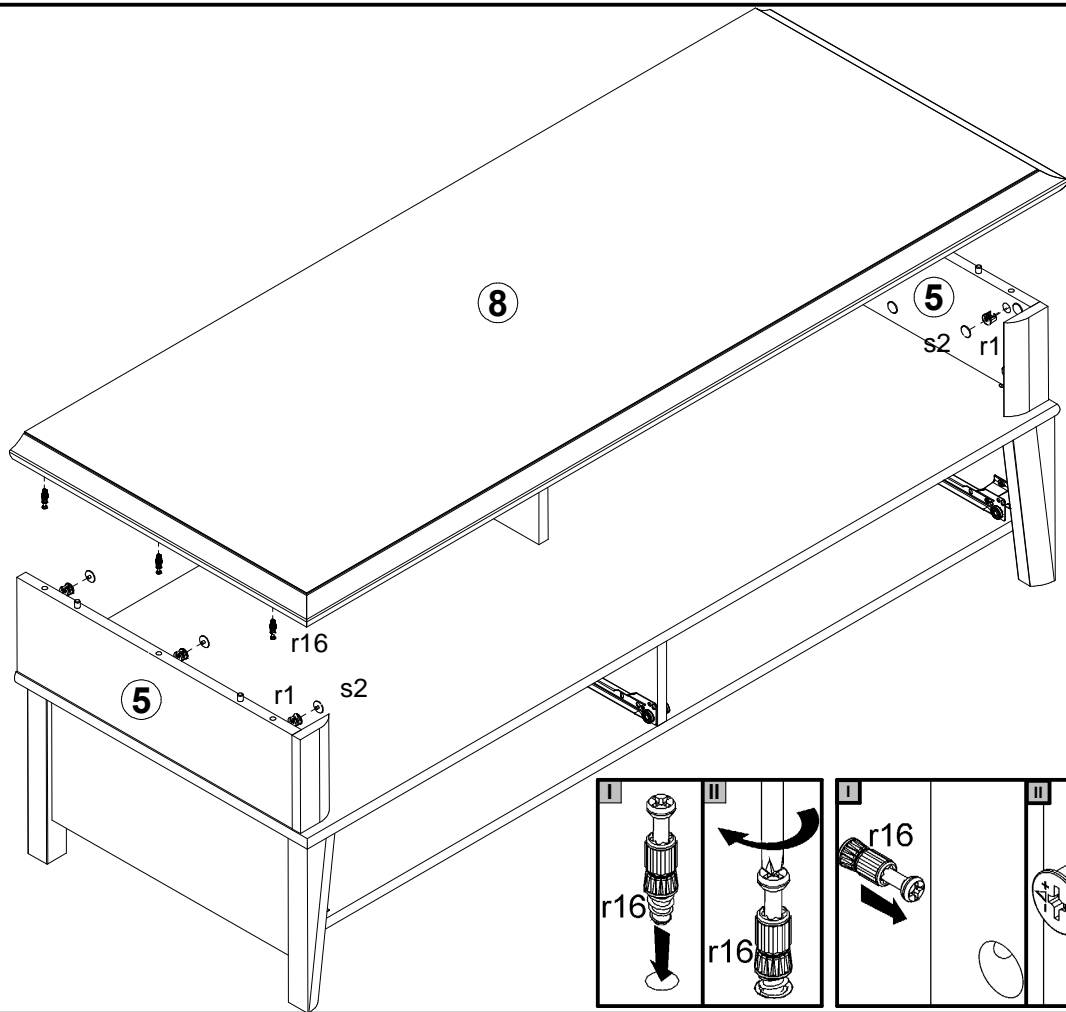
7



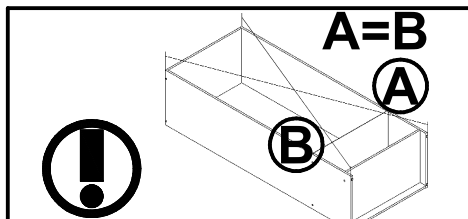
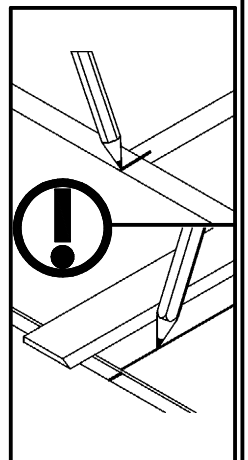
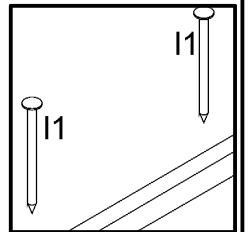
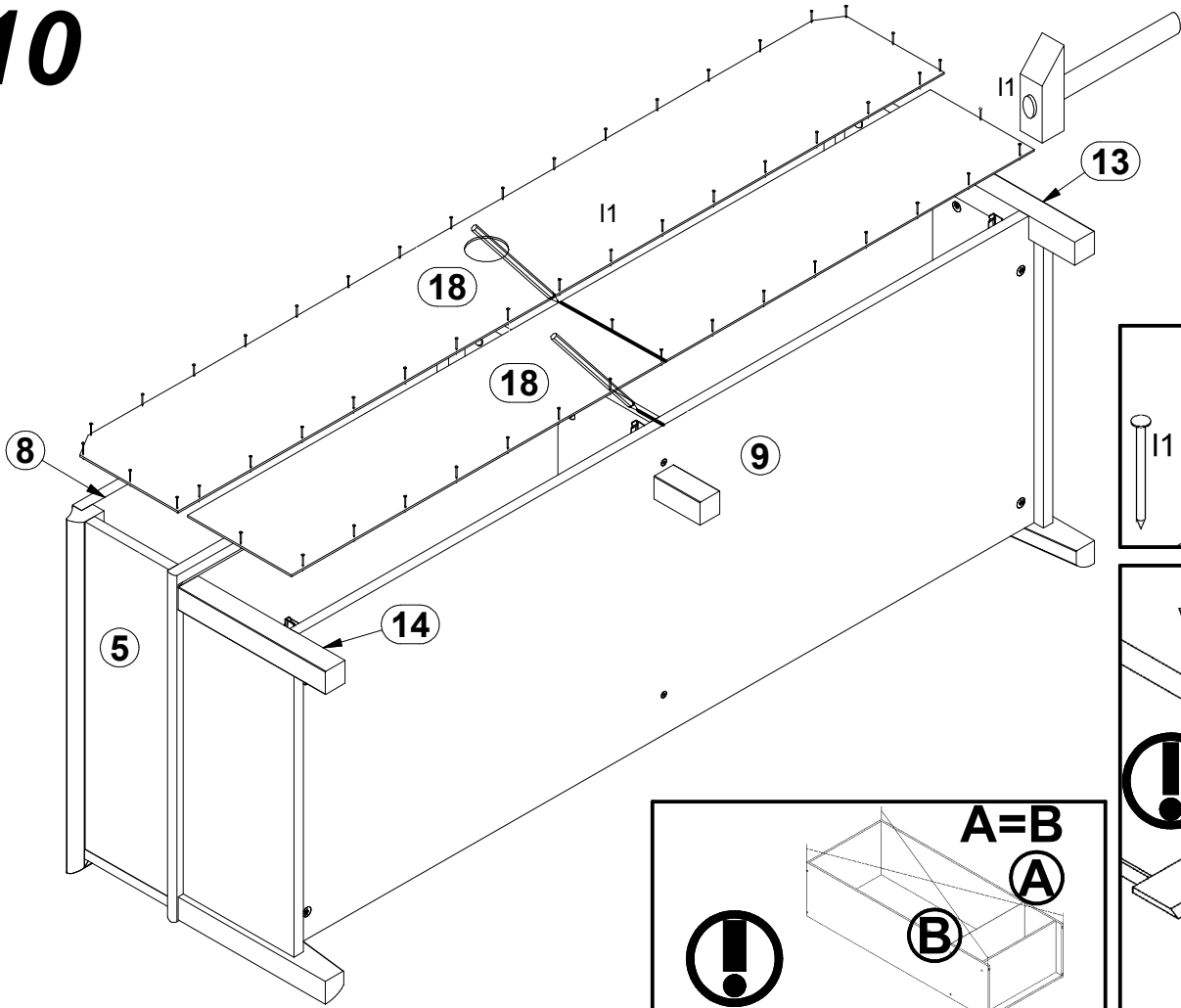
8



9



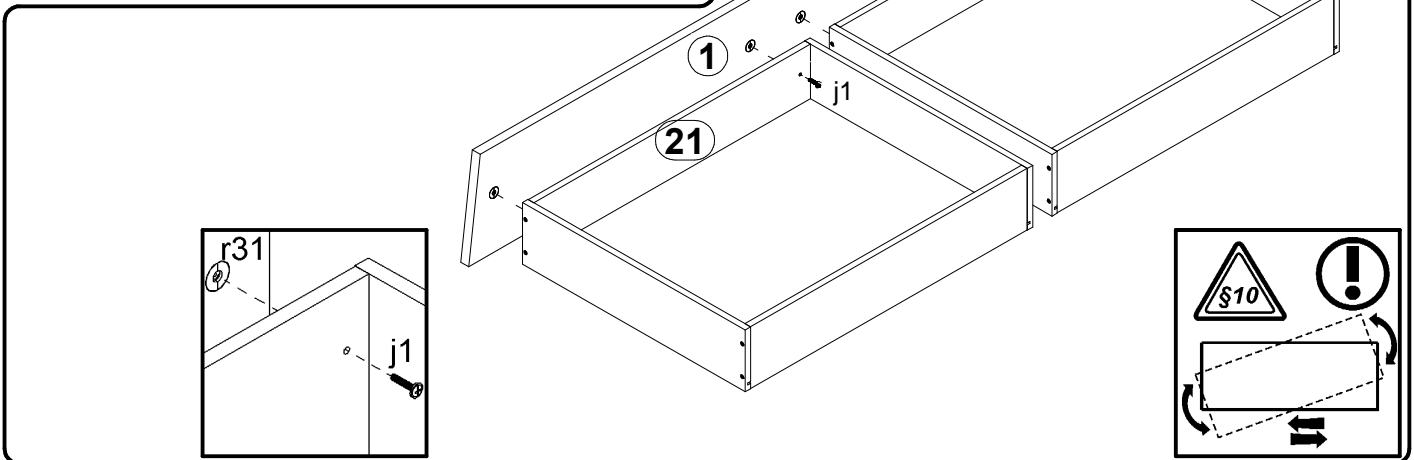
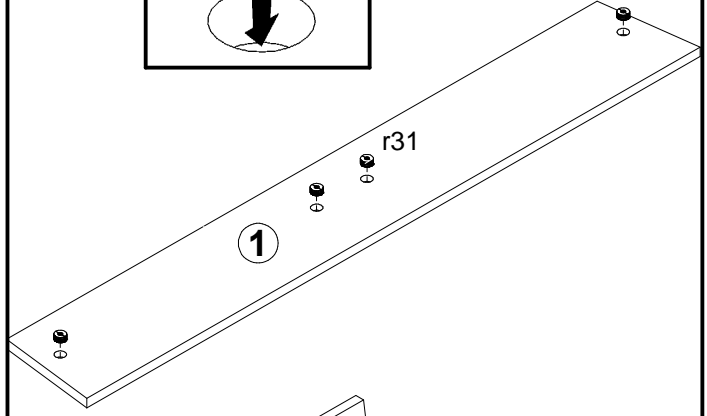
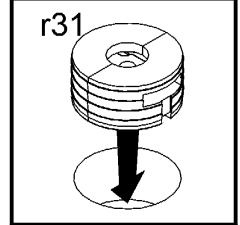
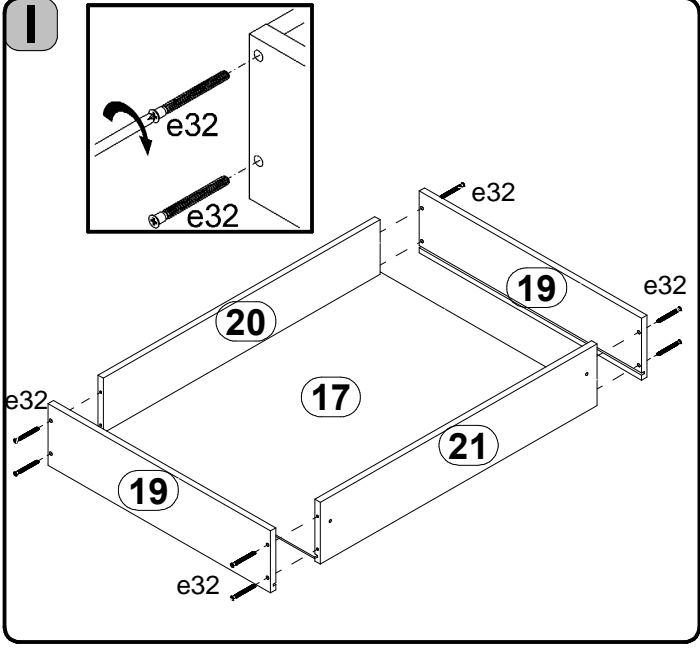
10



11

II

I



III

