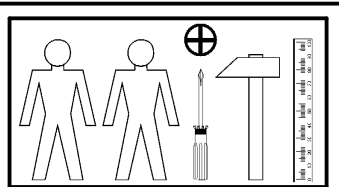
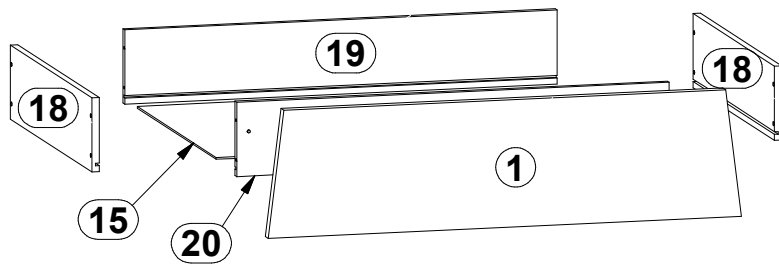
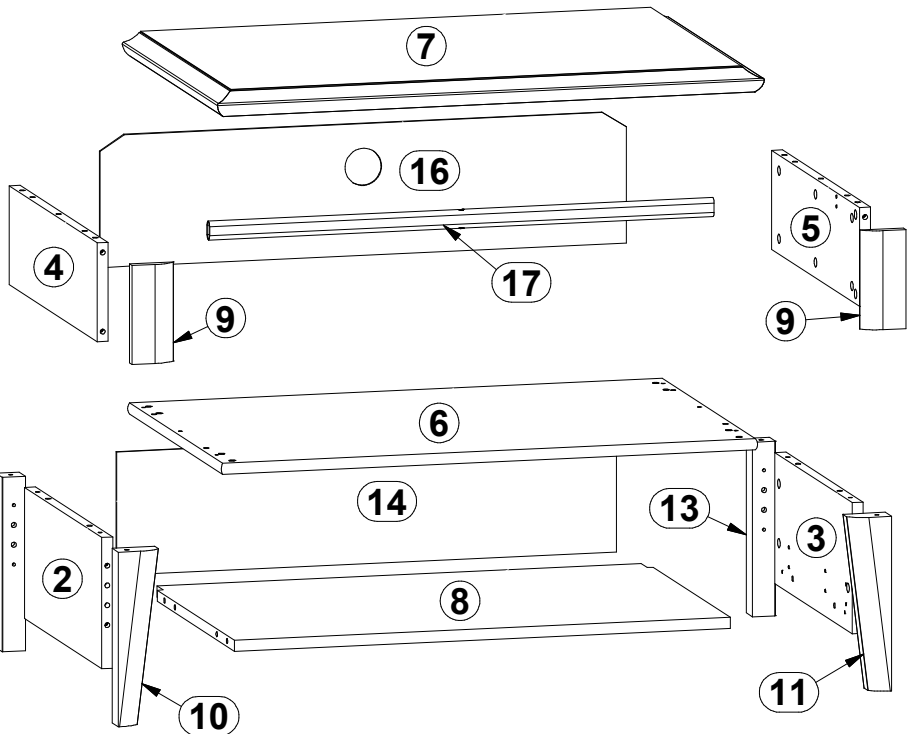
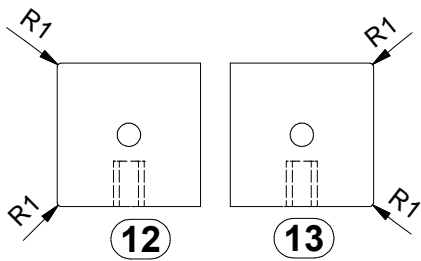
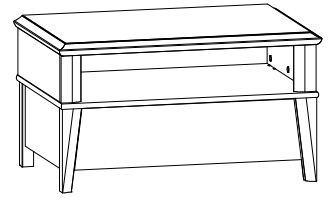
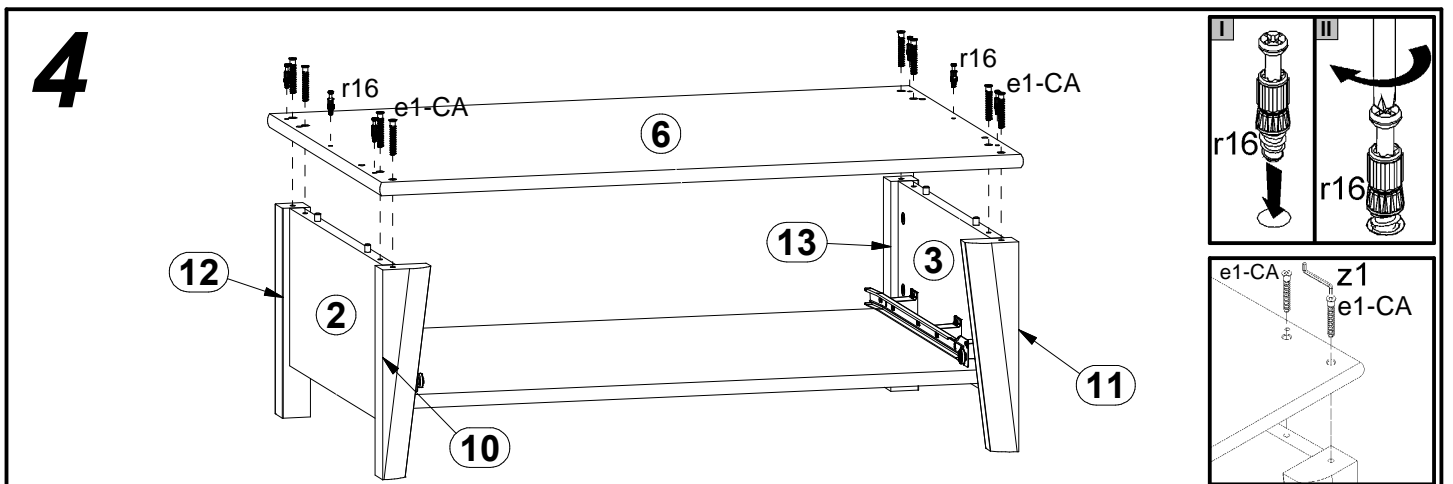
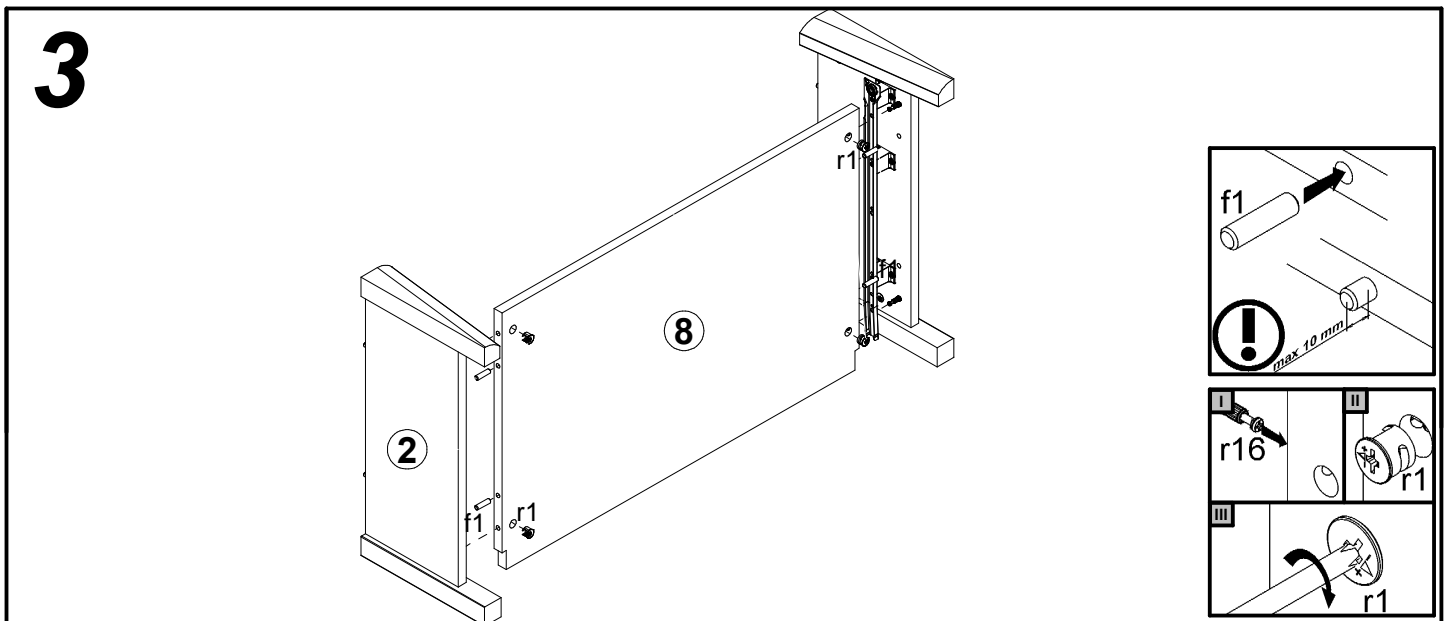
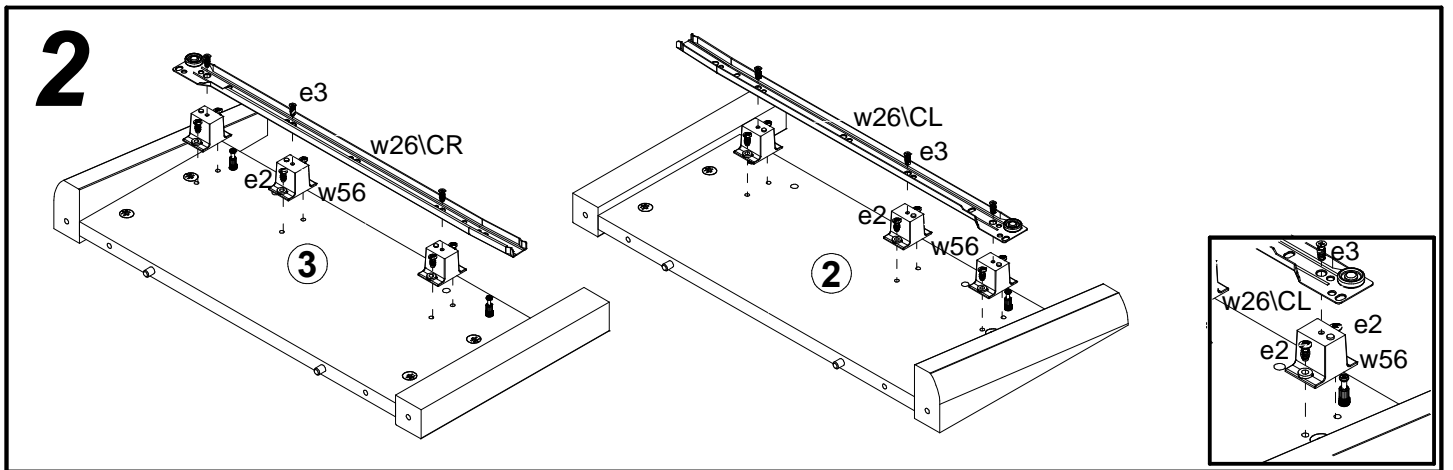
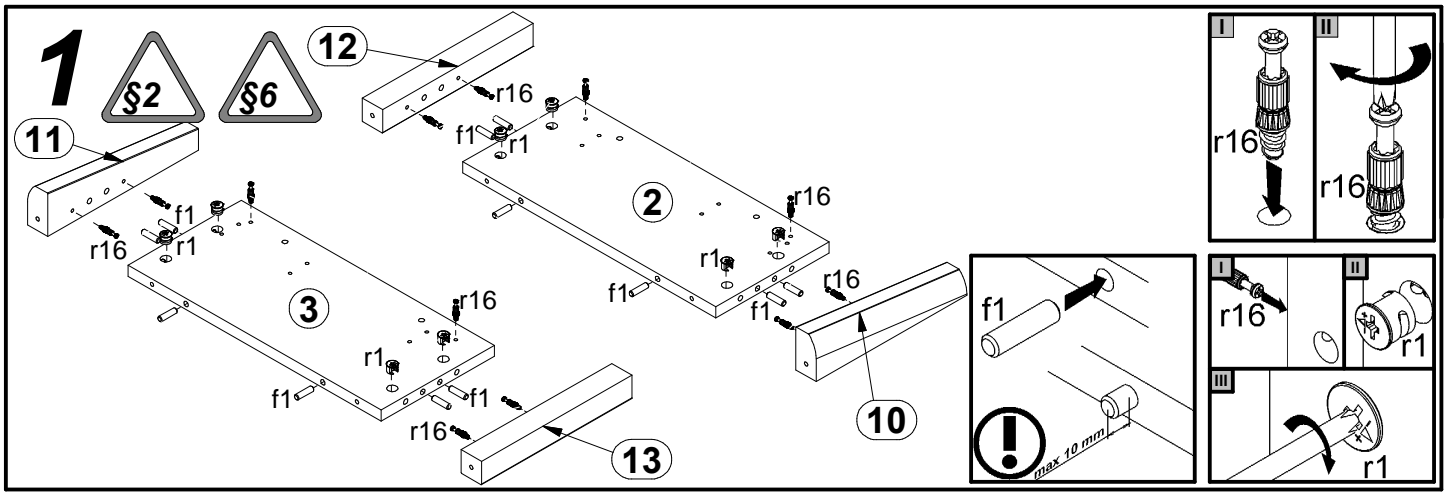


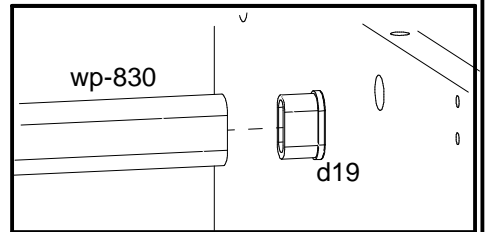
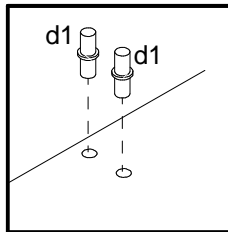
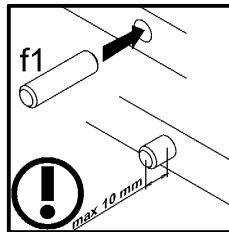
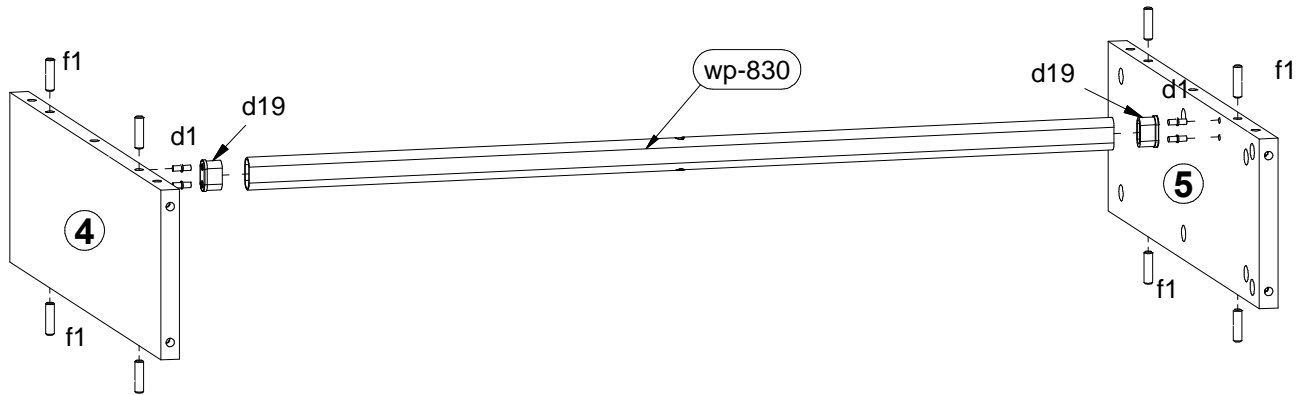
| A | B | C | | D |
|----|----------|-----|-----|-----|
| 1 | S63-013 | 778 | 206 | 1/4 |
| 2 | S63-143 | 212 | 474 | 1/4 |
| 3 | S63-144 | 212 | 474 | 1/4 |
| 4 | S63-146 | 160 | 541 | 1/4 |
| 5 | S63-147 | 160 | 541 | 1/4 |
| 6 | S63-216 | 882 | 575 | 2/4 |
| 7 | S63-262 | 900 | 584 | 2/4 |
| 8 | S63-321 | 816 | 512 | 2/4 |
| 9 | S63-509 | 160 | 72 | 1/4 |
| 10 | S63-571 | 282 | 70 | 3/4 |
| 11 | S63-572 | 282 | 70 | 3/4 |
| 12 | S63-573 | 282 | 38 | 3/4 |
| 13 | S63-574 | 282 | 38 | 3/4 |
| 14 | S63-936 | 822 | 199 | 2/4 |
| 15 | S63-937 | 722 | 485 | 2/4 |
| 16 | S63-938 | 213 | 866 | 2/4 |
| 17 | wp-830 | 830 | 30 | 1/4 |
| 18 | ZS1-1501 | 500 | 120 | 1/4 |
| 19 | ZS1-1508 | 711 | 120 | 1/4 |
| 20 | ZS1-1509 | 711 | 120 | 1/4 |



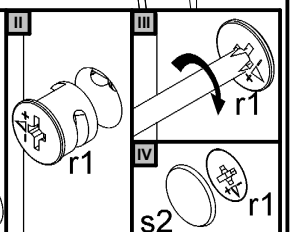
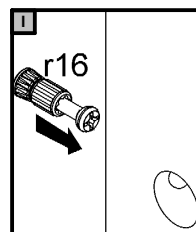
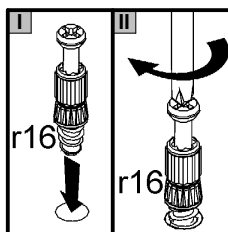
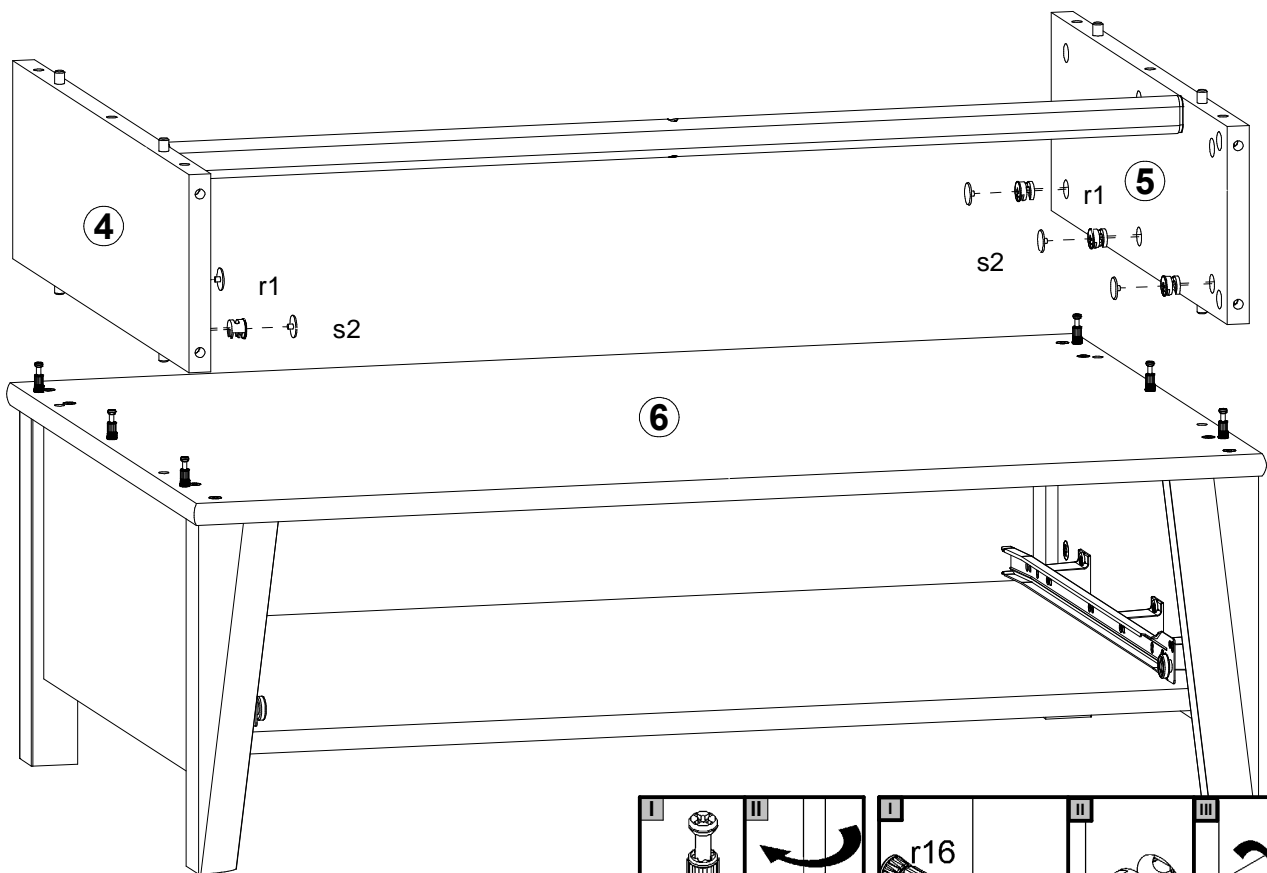
| | | | | | | | | |
|--------------------------------|--------------------------------|-----------------------------------|--------------------------------|------------------------------|------------------------------|------------------------------|-------------------------------|-------------------------------|
| 4x φ5x17 mm d1 | 2x d19 | 8x φ7x50 mm e1-CA | 12x φ6,3x13 mm e2 | 6x φ6x13 mm e3 | 8x φ5x50 mm e32 | 24x φ8x30 mm f1 | 2x M4x20 mm j1 | 35x l1 |
| 4x φ2,5x13 mm p15 | 2x φ3,5x16 mm p25 | 28x φ1,5x12mm #16 r1 | 28x r16 | 2x φ21x10mm r31 | 16x φ16 s2 | 1x 475 mm t32 | 1x 500 mm w26\CL | 1x 500 mm w26\CR |
| 1x 500 mm w26\DL | 1x 500 mm w26\DR | 6x h=28 mm w56 | 1x z1 | | | | | |



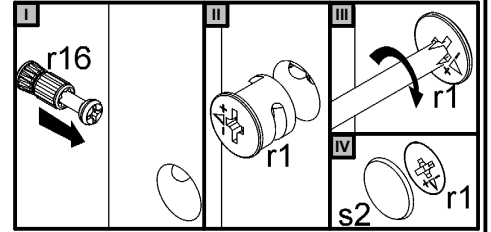
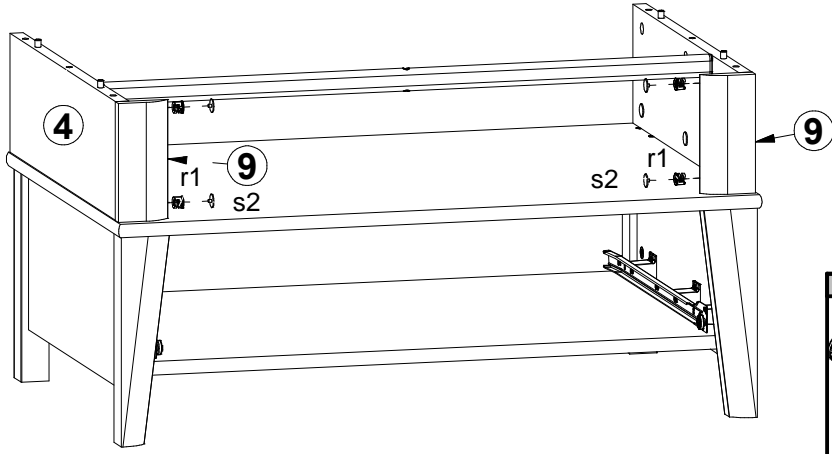
5



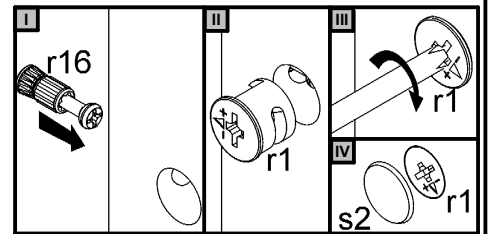
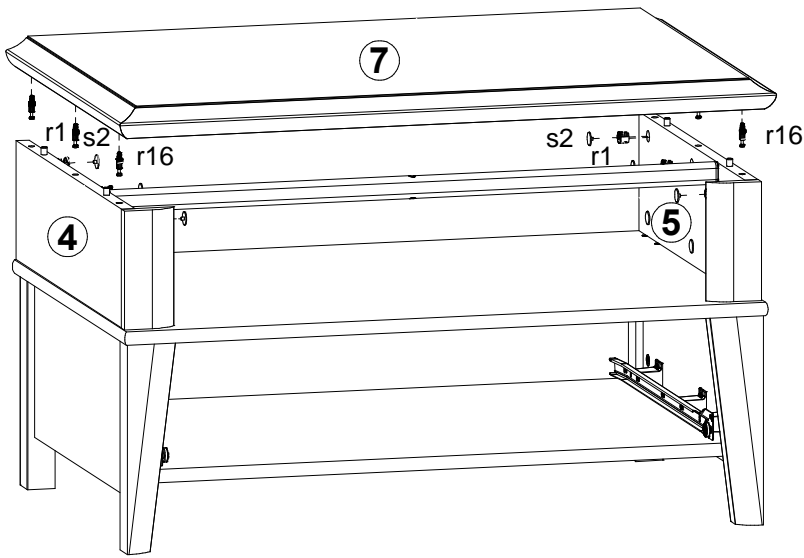
6



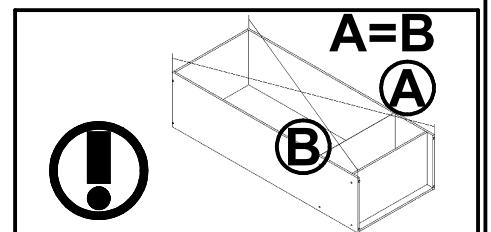
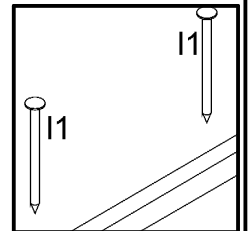
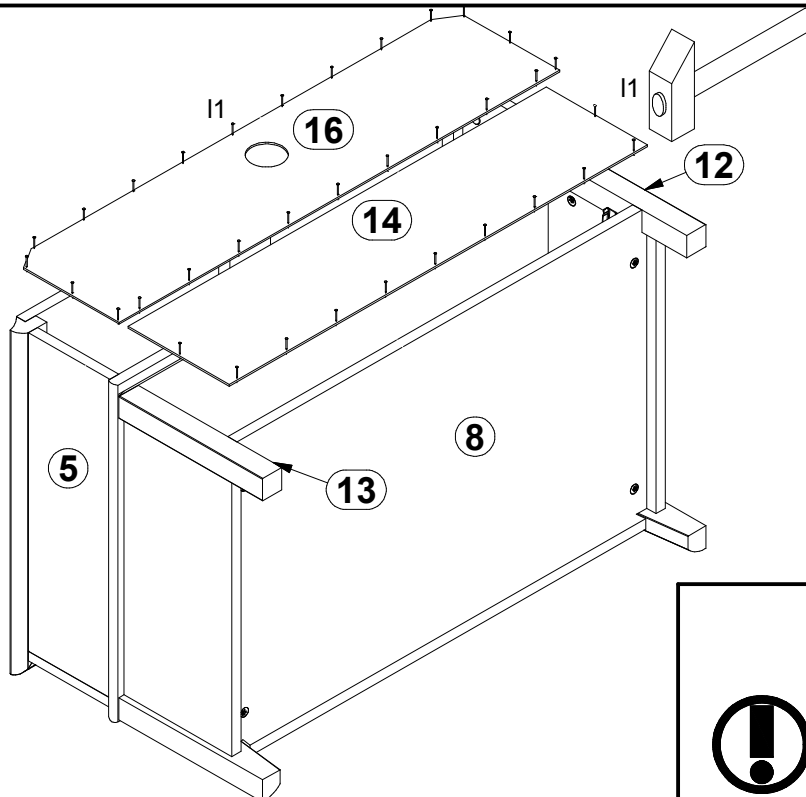
7



8



9



10

