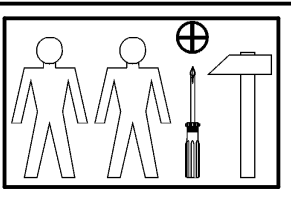
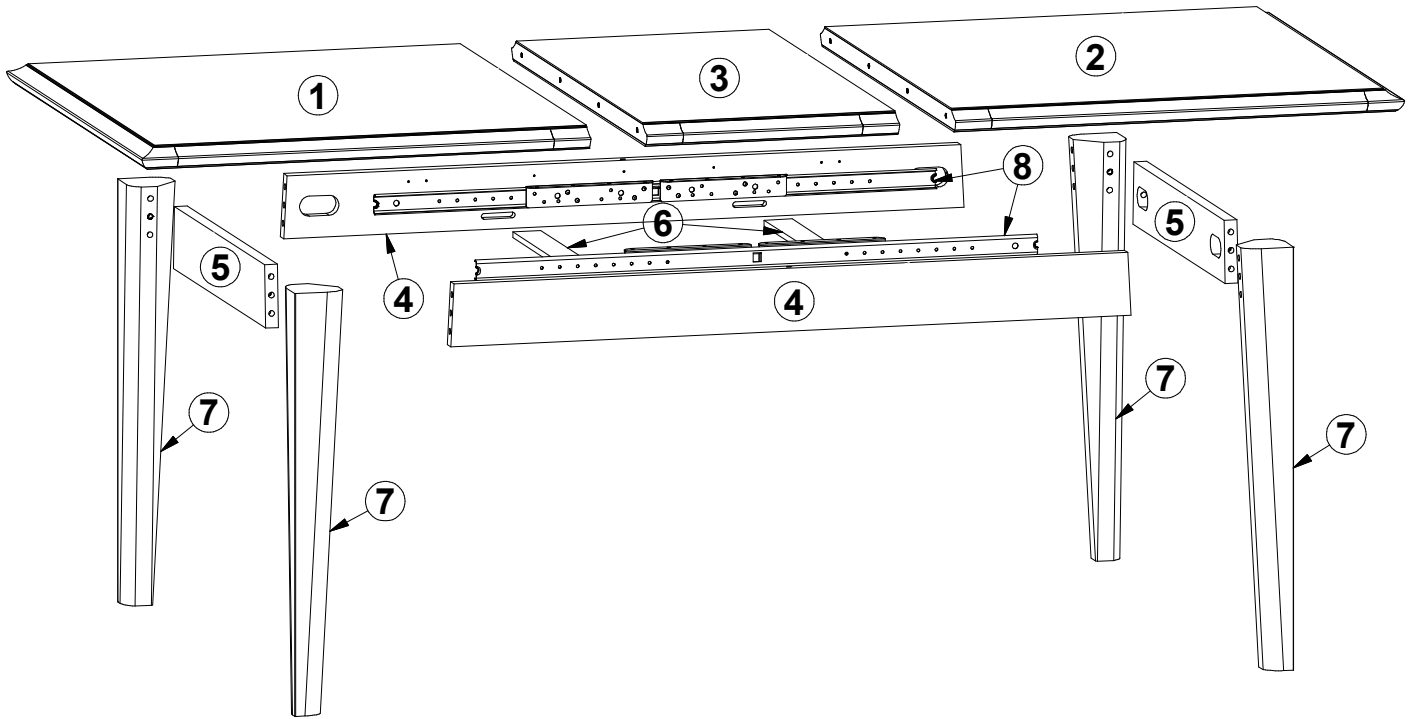
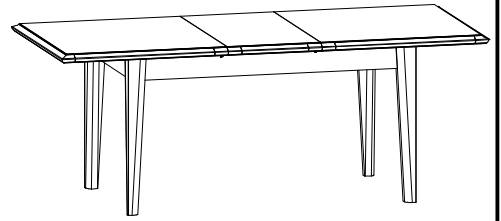
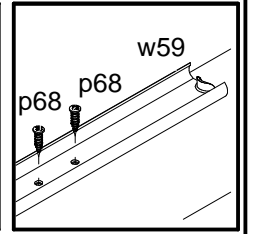
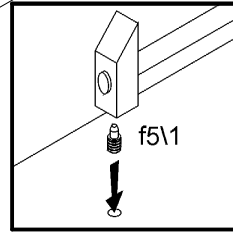
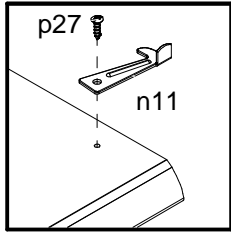
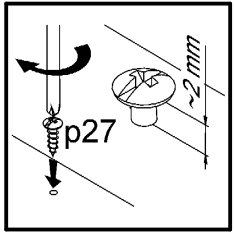
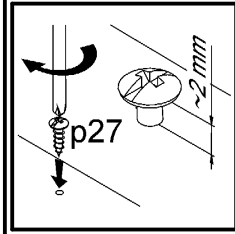
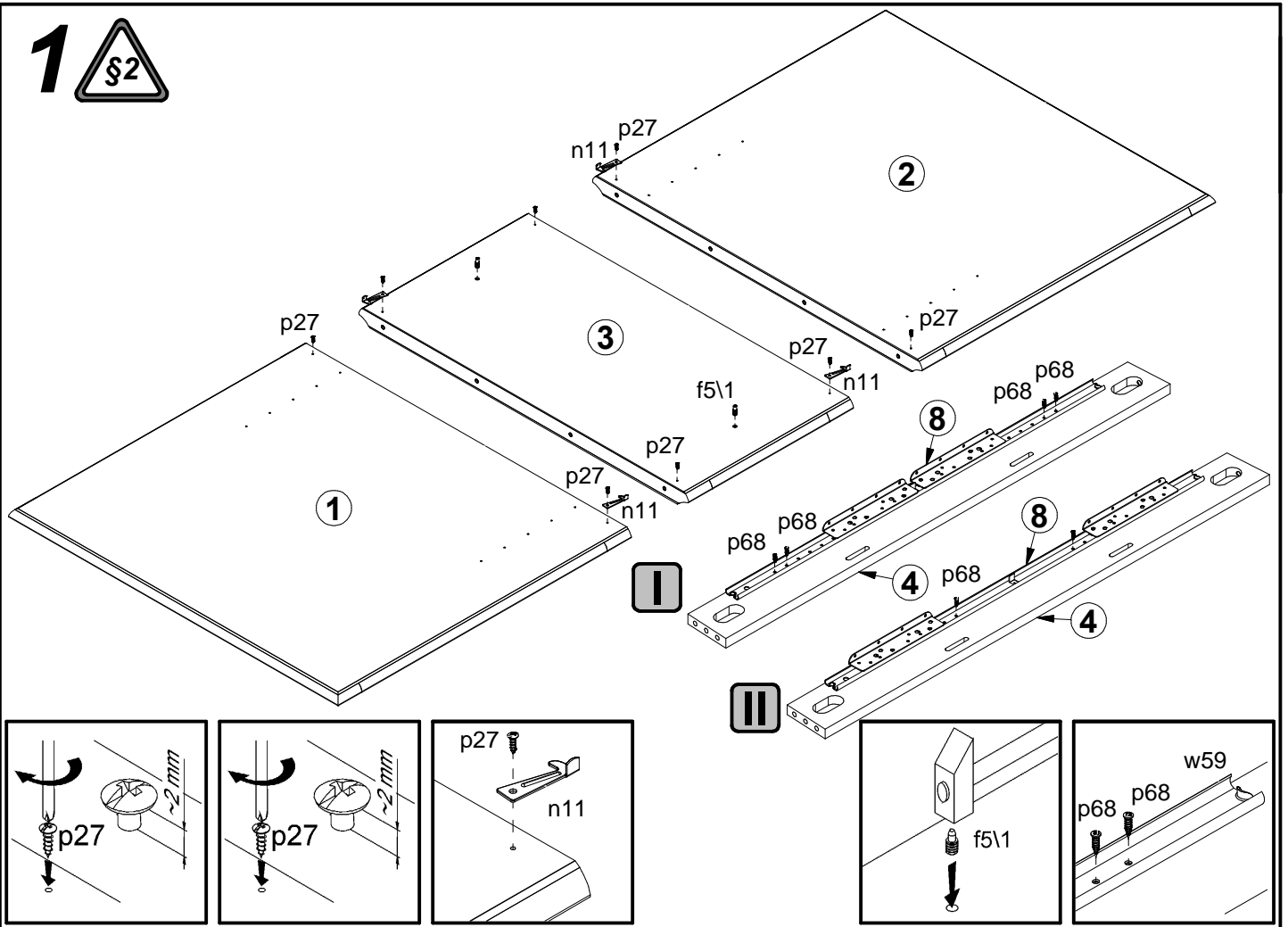


A	B	C	D	
1	S63-258	900	800	1/3
2	S63-259	900	800	1/3
3	S63-260	900	450	1/3
4	S63-411	1212	110	2/3
5	S63-412	612	110	2/3
6	S63-413	713	50	2/3
7	S63-414	740	90	3/3
8	w59	1000		2/3

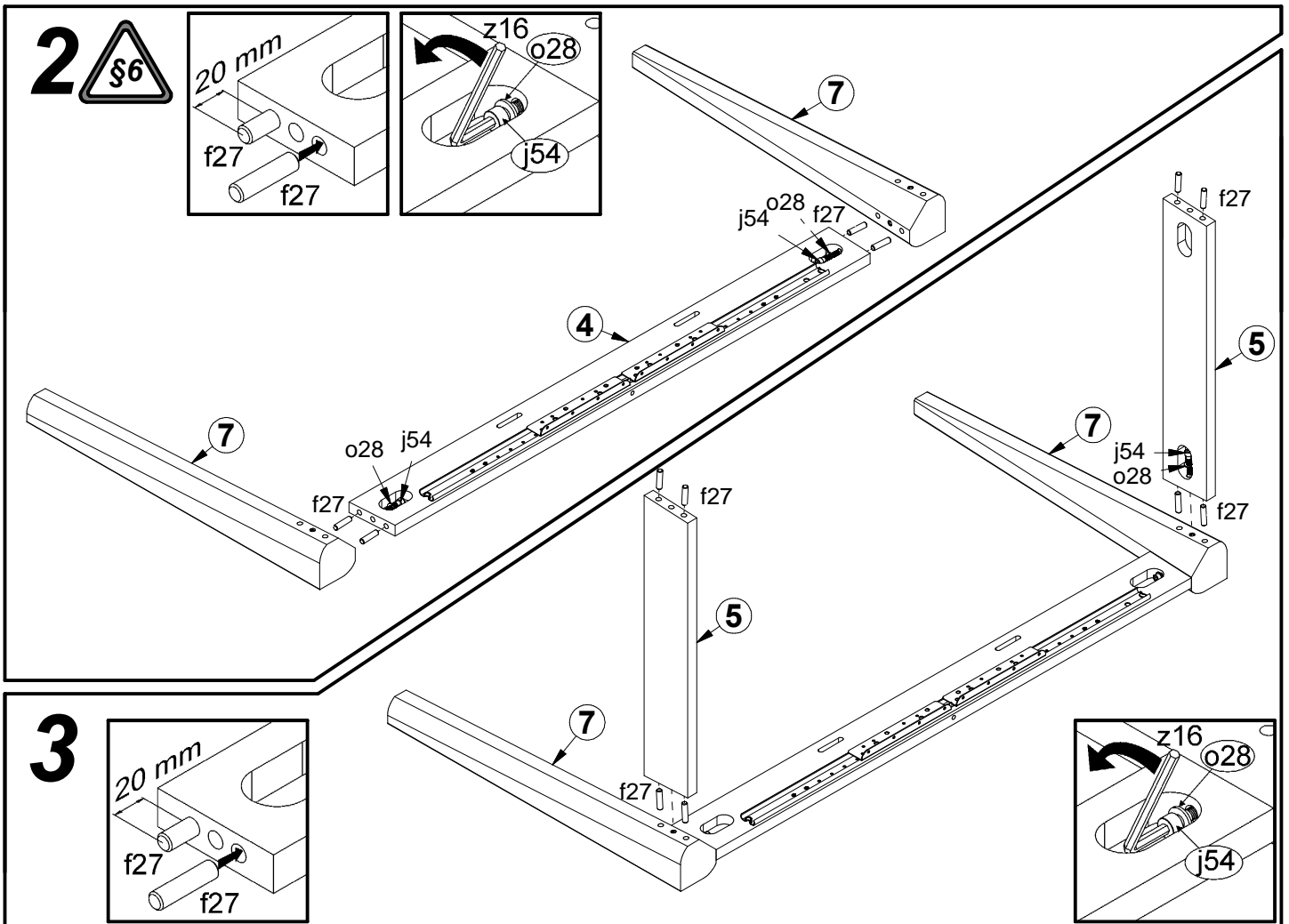
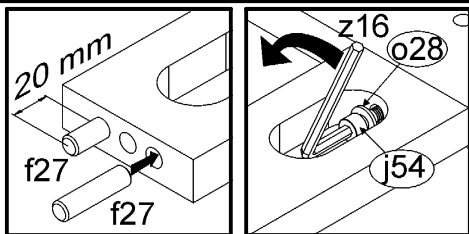


2x metalowy f5\1	16x $\phi 10 \times 40$ mm f27	8x M8x40 mm j54	4x n11	8x $\phi 8 \phi 17 \times 1.8$ mm o28	8x $\phi 3.5 \times 13$ mm p27	28x $\phi 4 \times 20$ mm p68	1x 6mm z16
------------------------	--------------------------------------	-----------------------	-----------	---	--------------------------------------	-------------------------------------	------------------

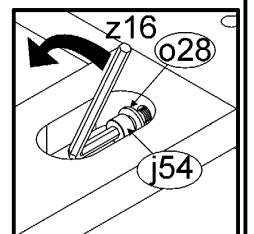
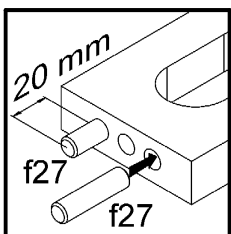
1



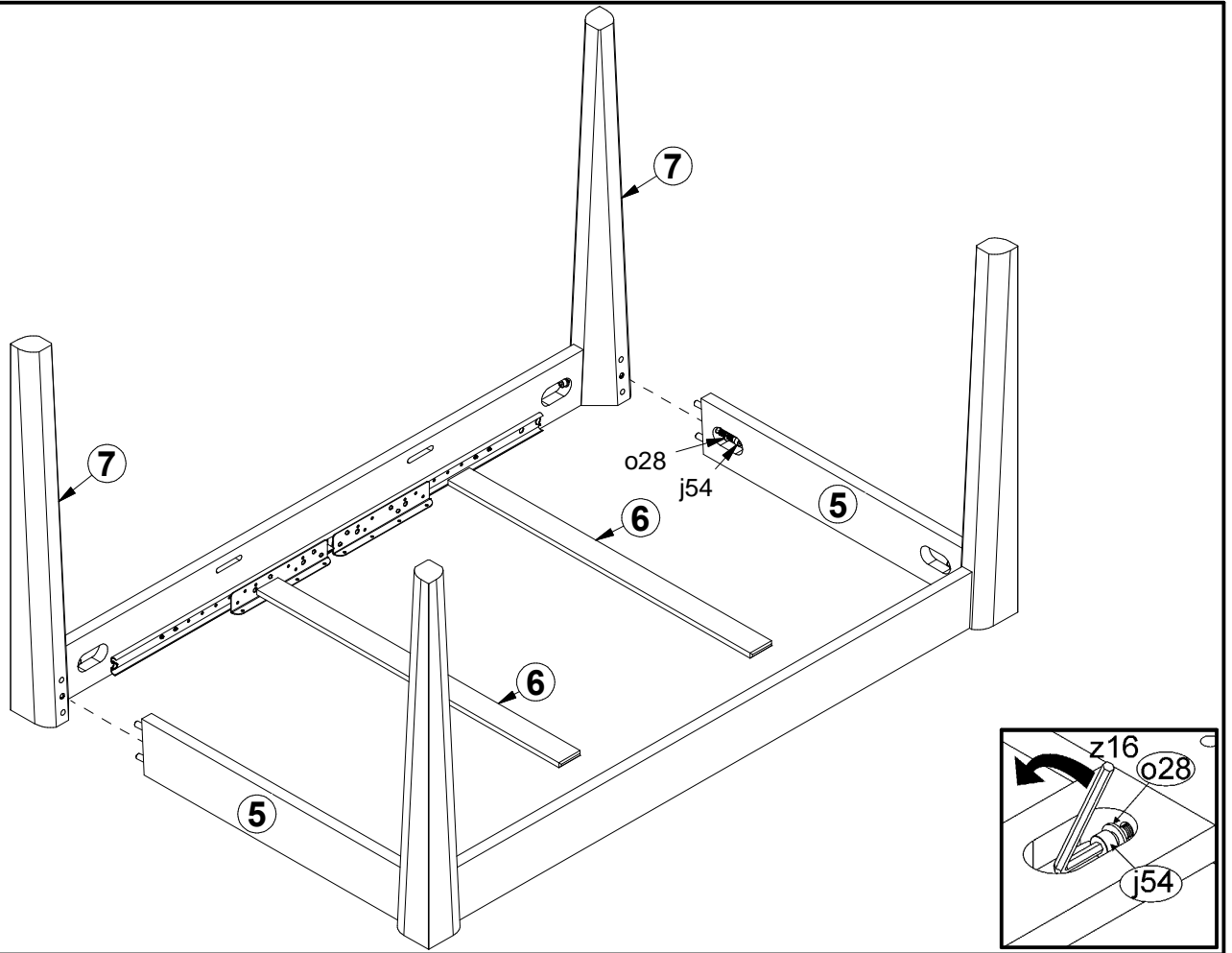
2



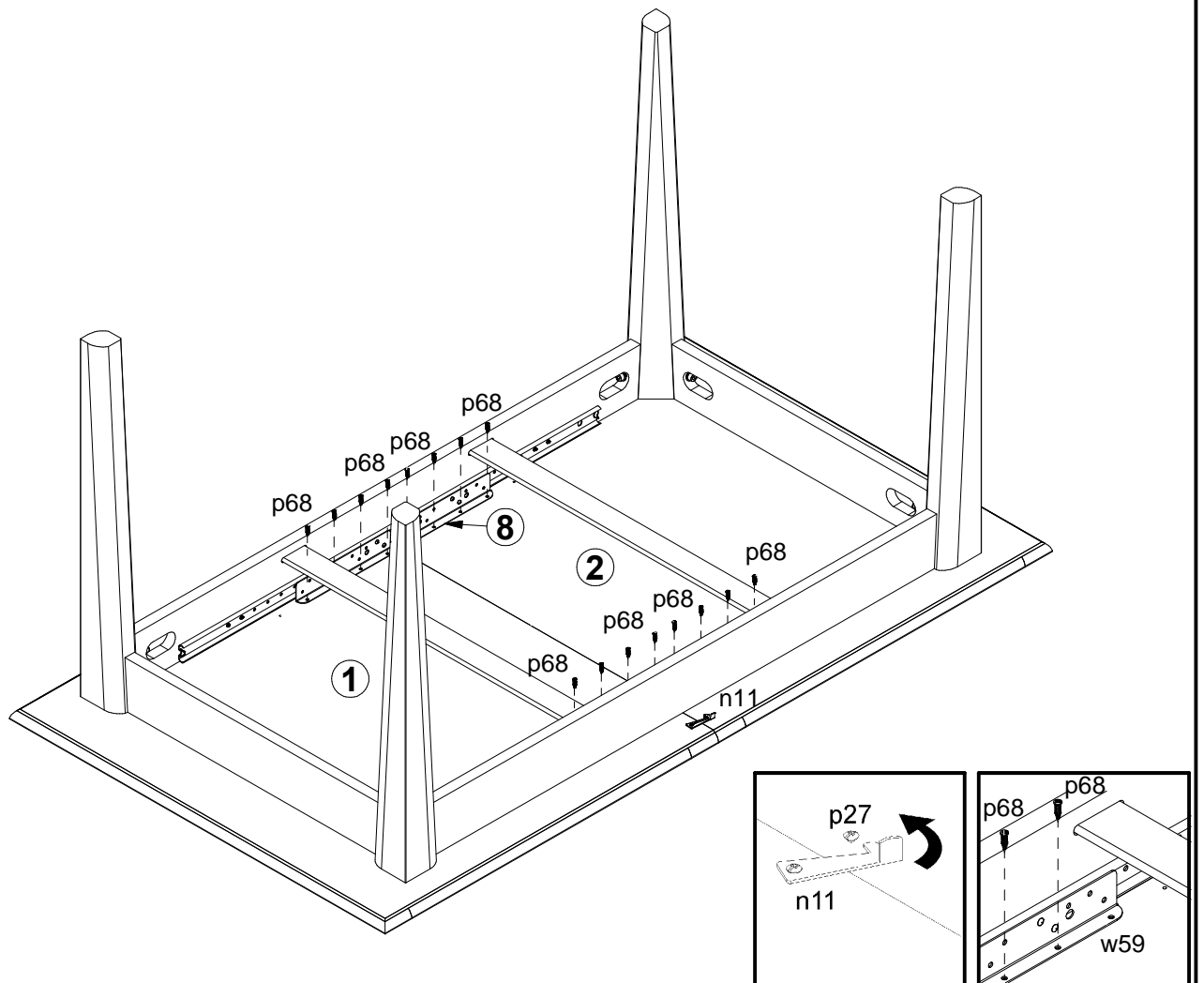
3



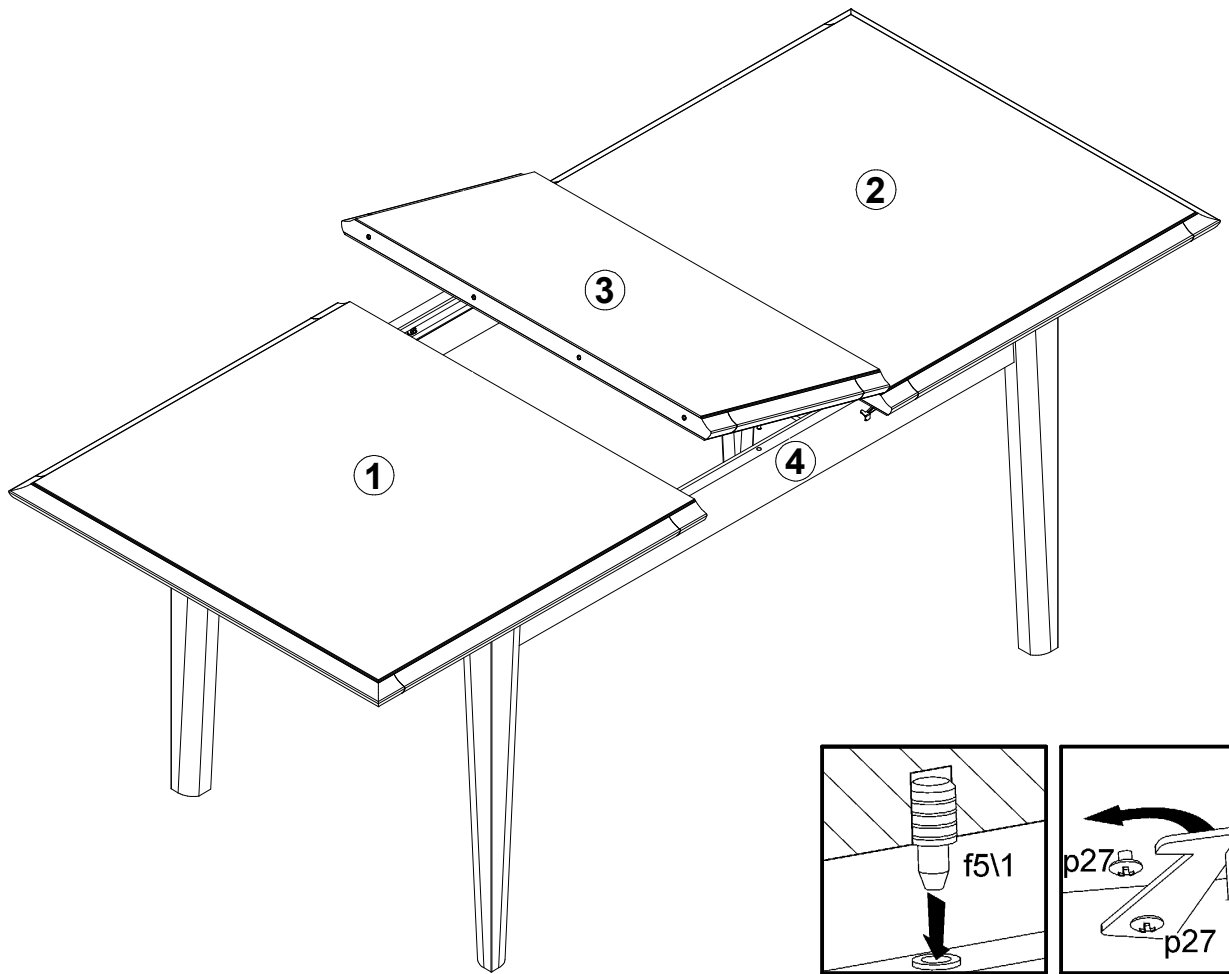
4



5



6



7

