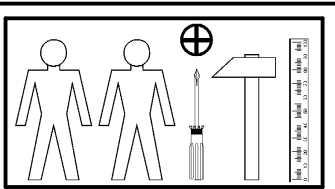
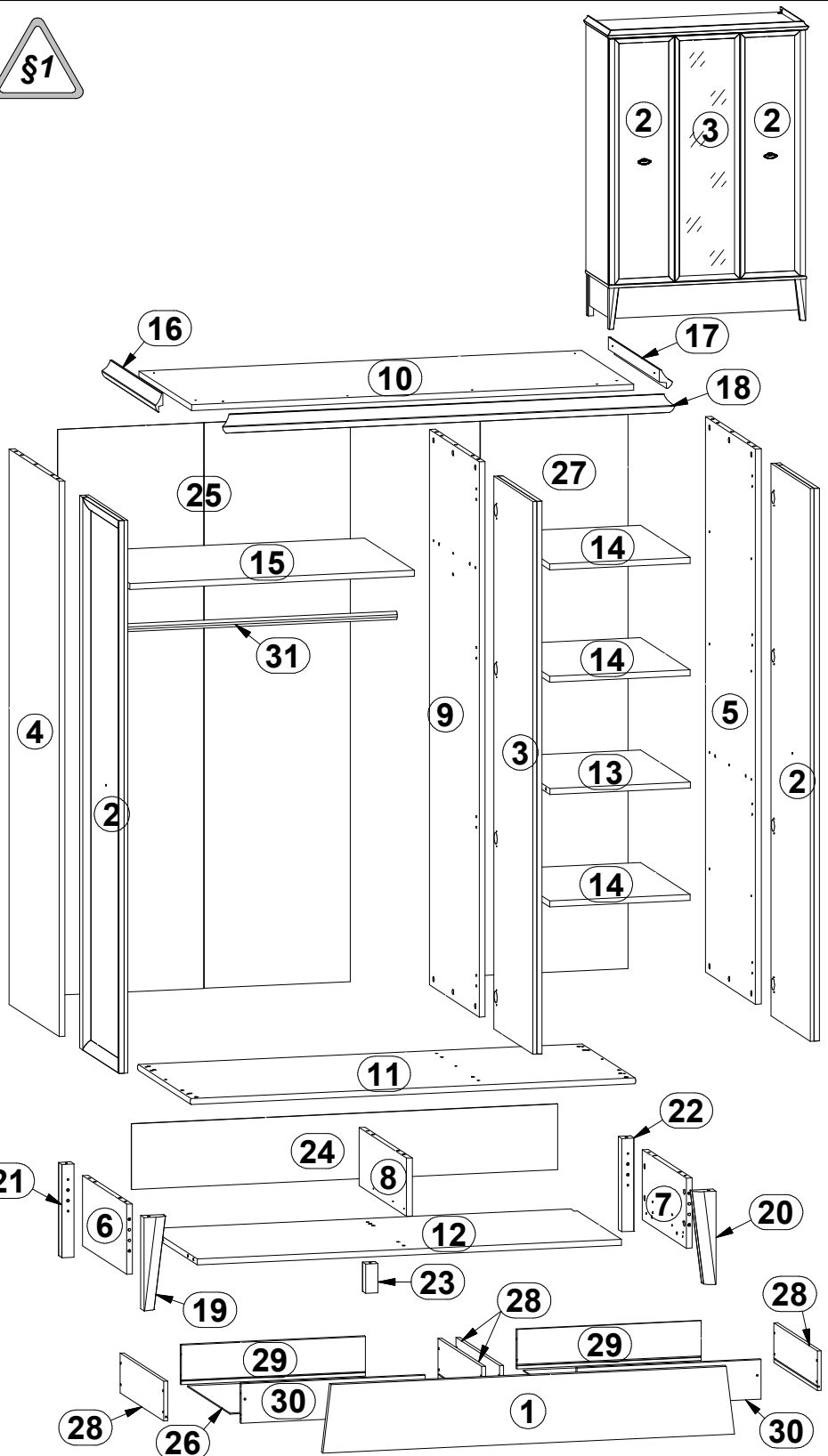
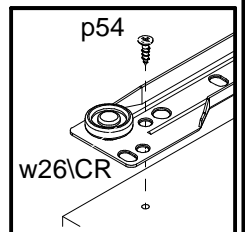
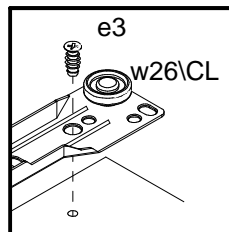
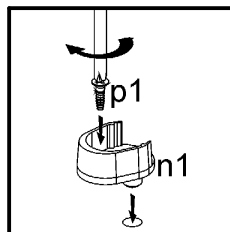
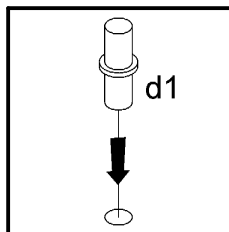
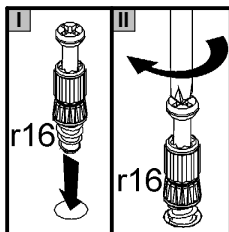
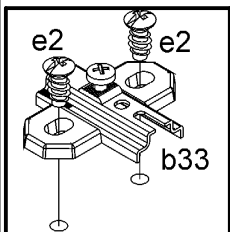
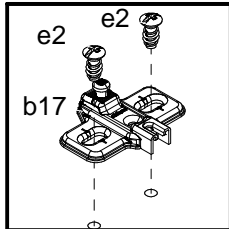
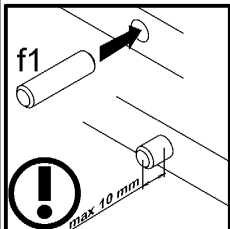
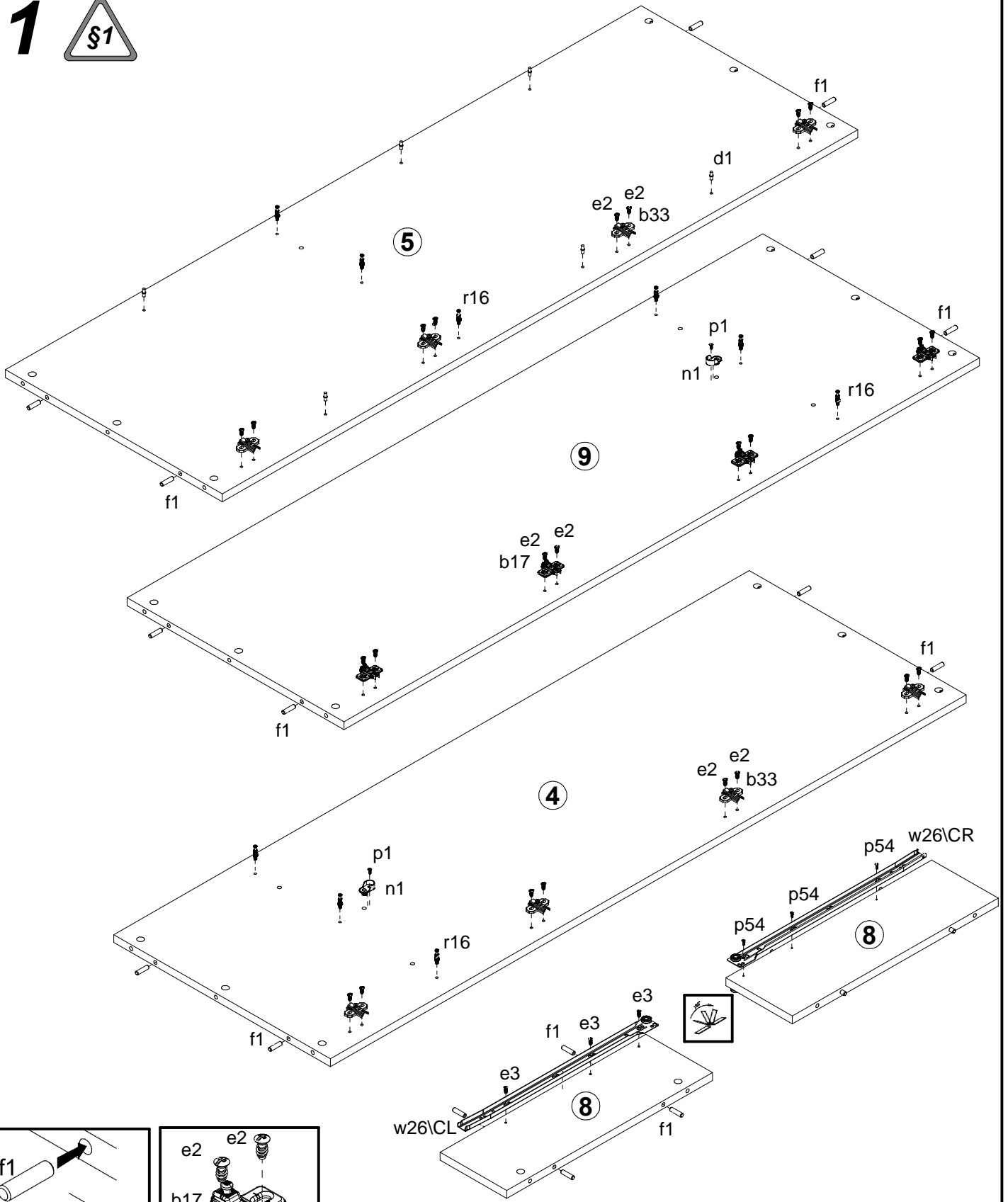


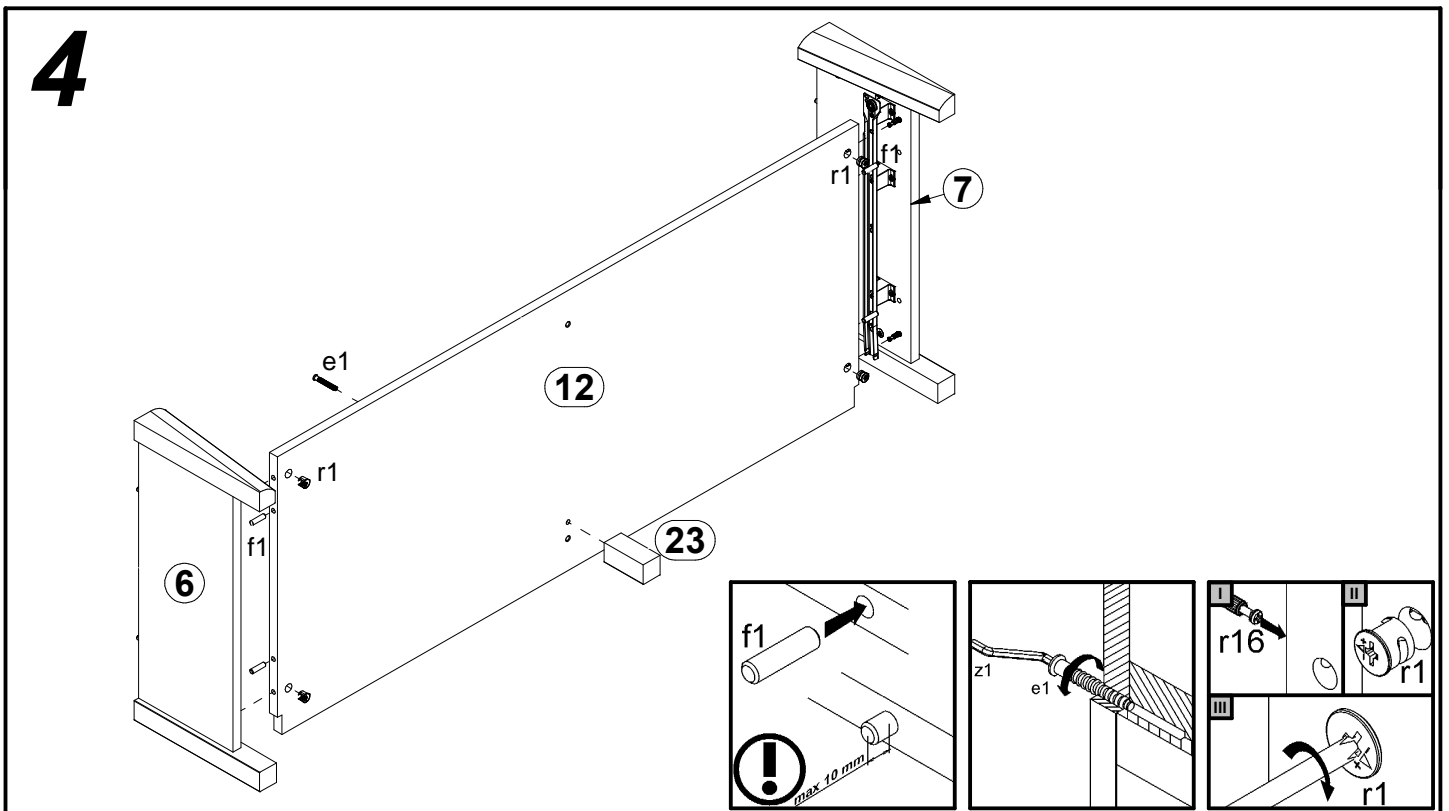
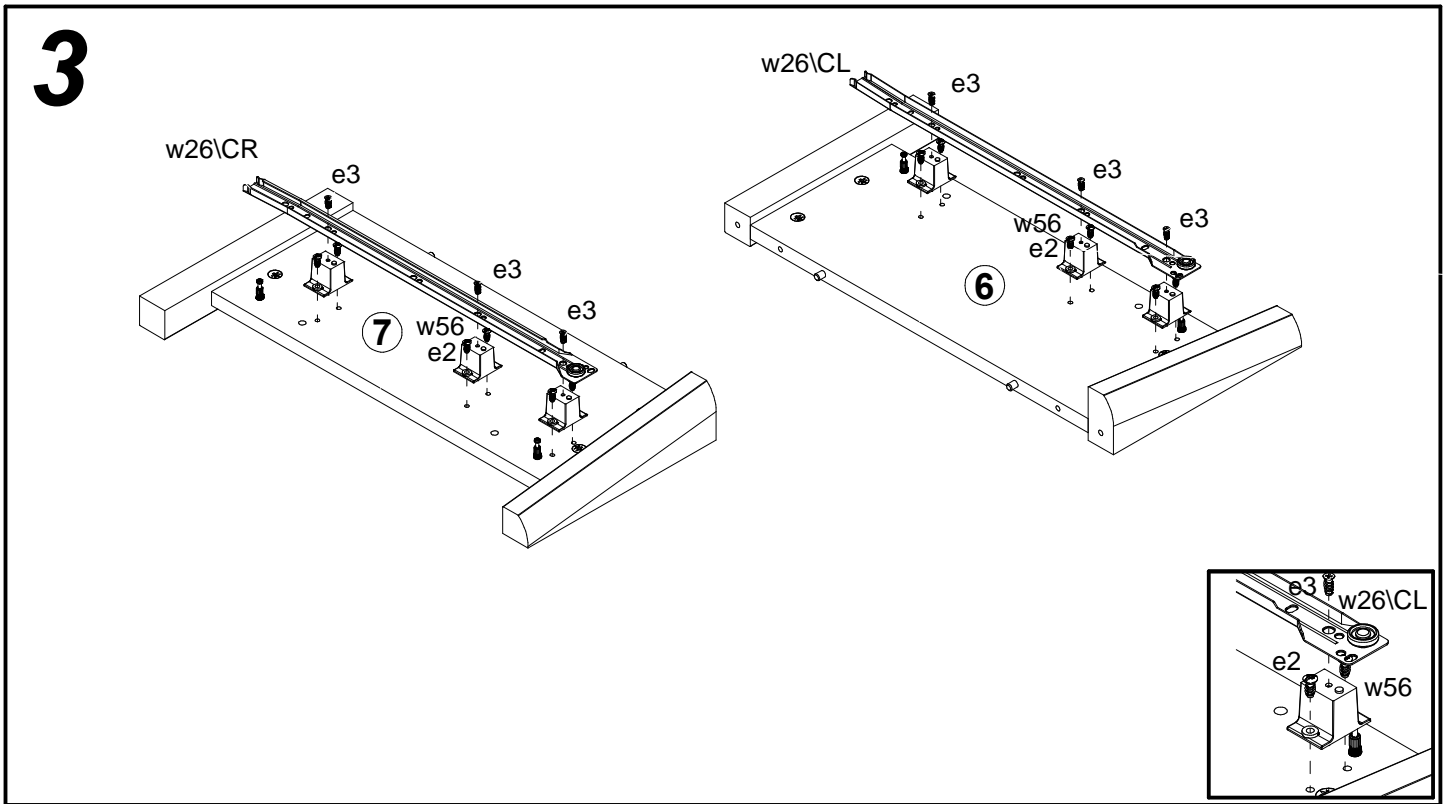
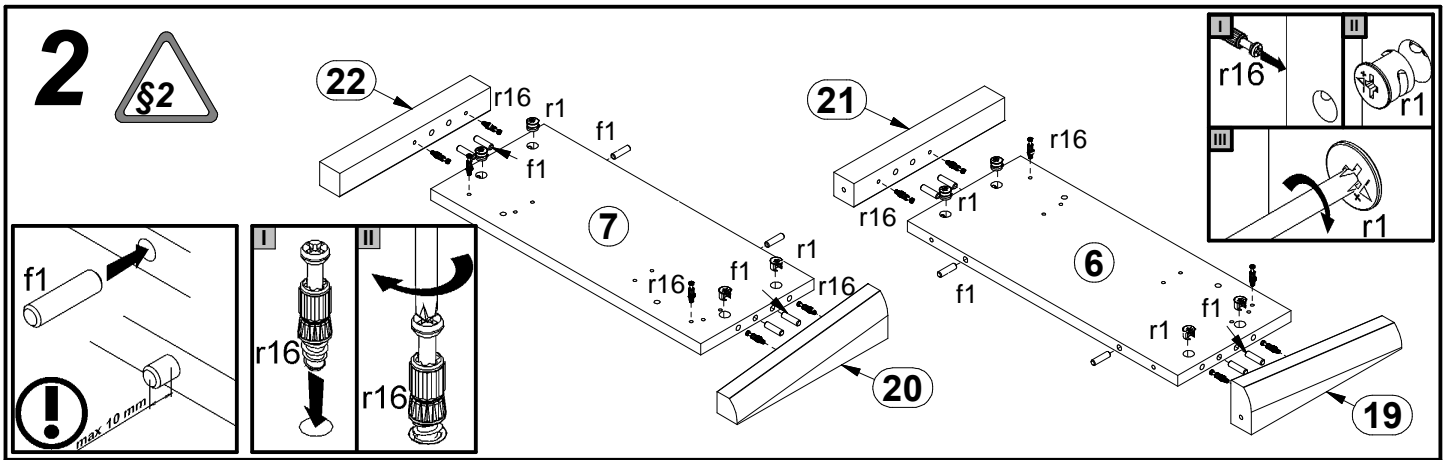
| A | B | C | D |
|----|----------|------|-----|
| 1 | S63-029 | 1268 | 206 |
| 2 | S63-030 | 1672 | 450 |
| 3 | S63-031 | 1672 | 450 |
| 4 | S63-125 | 1680 | 573 |
| 5 | S63-126 | 1680 | 573 |
| 6 | S63-127 | 212 | 506 |
| 7 | S63-128 | 212 | 506 |
| 8 | S63-129 | 176 | 544 |
| 9 | S63-130 | 1680 | 573 |
| 10 | S63-208 | 1362 | 602 |
| 11 | S63-209 | 1372 | 607 |
| 12 | S63-310 | 1306 | 544 |
| 13 | S63-311 | 432 | 573 |
| 14 | S63-312 | 432 | 568 |
| 15 | S63-313 | 876 | 573 |
| 16 | S63-505 | 616 | 54 |
| 17 | S63-506 | 616 | 54 |
| 18 | S63-507 | 1392 | 54 |
| 19 | S63-571 | 282 | 70 |
| 20 | S63-572 | 282 | 70 |
| 21 | S63-573 | 282 | 38 |
| 22 | S63-574 | 282 | 38 |
| 23 | S63-597 | 88 | 38 |
| 24 | S63-922 | 1312 | 199 |
| 25 | S63-923 | 1711 | 901 |
| 26 | S63-924 | 578 | 485 |
| 27 | S63-925 | 1711 | 455 |
| 28 | ZS1-1501 | 500 | 120 |
| 29 | ZS1-1528 | 567 | 120 |
| 30 | ZS1-1529 | 567 | 120 |
| 31 | dr-871 | 871 | 22 |

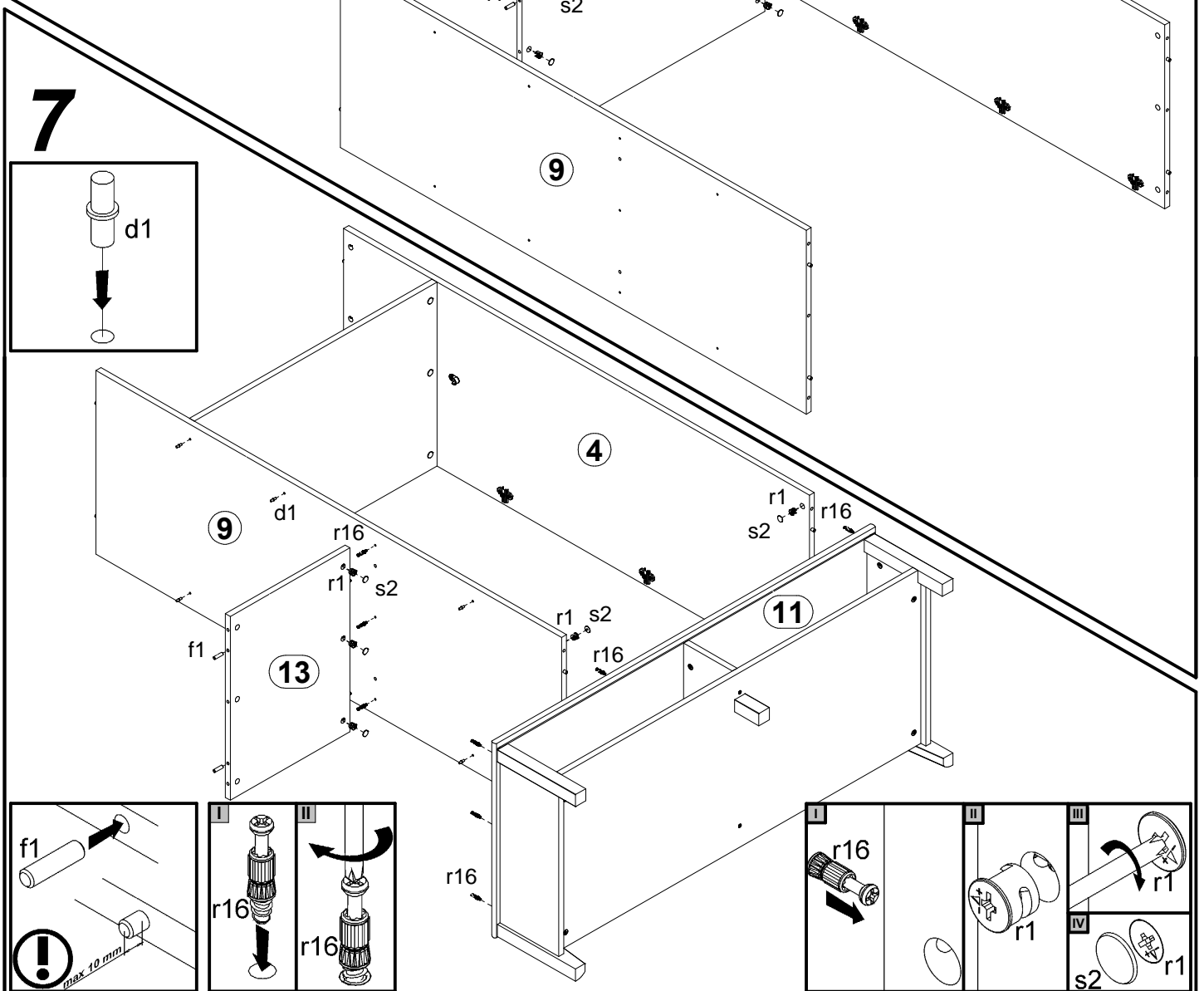
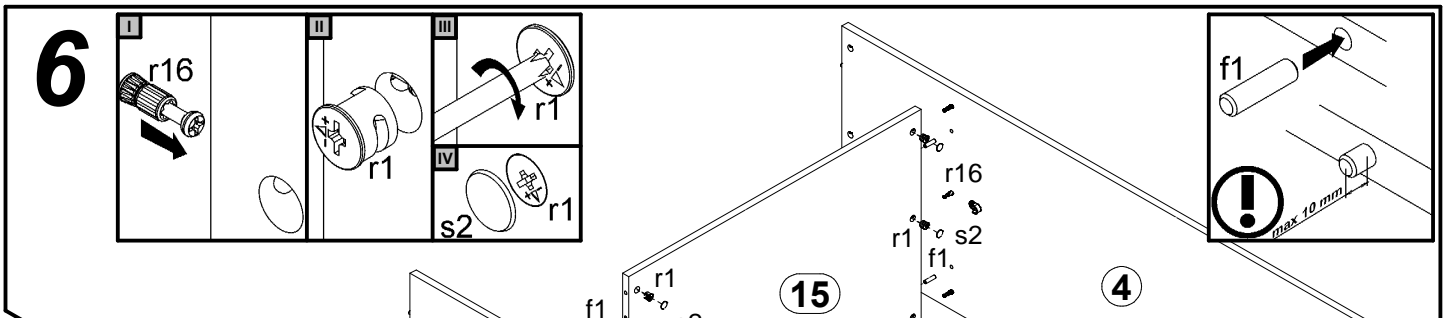
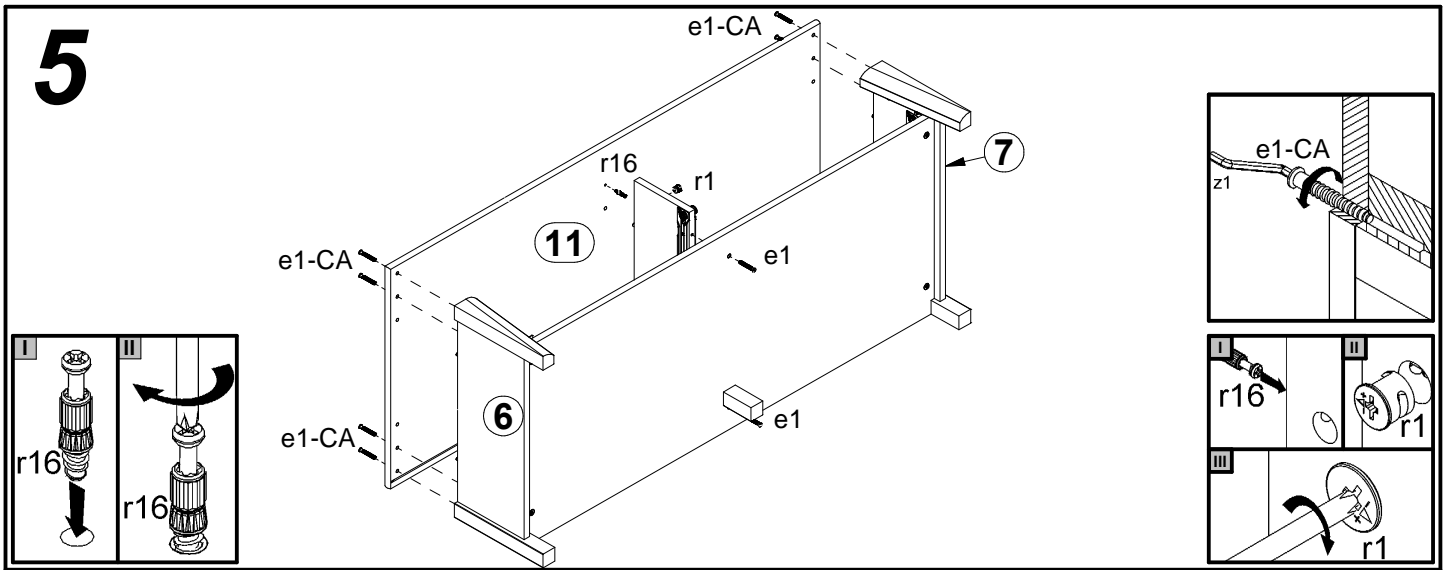


| | | | | | | | | |
|------------------|------------------|------------------|----------------|----------------|-----------------|---------------|-----------------|------------------|
| 8x a44 | 4x a76 | 4x b17 | 8x b33 | 2x c219 | 12x d1 | 3x e1 | 8x e1-CA | 36x e2 |
| 9x e3 | 16x e32 | 40x f1 | 4x j1 | 2x j114 | 125x l1 | 2x n1 | 8x n110 | 2x p1 |
| 8x p15 | 24x p51 | 3x p54 | 16x p93 | 44x r1 | 44x r16 | 4x r31 | 30x s2 | 2x w26\CL |
| 2x w26\CR | 2x w26\DL | 2x w26\DR | 6x w56 | 1x z1 | 1x n26\1 | 1x p38 | | |

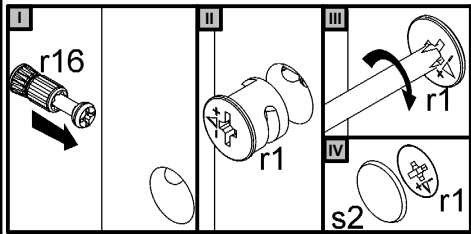
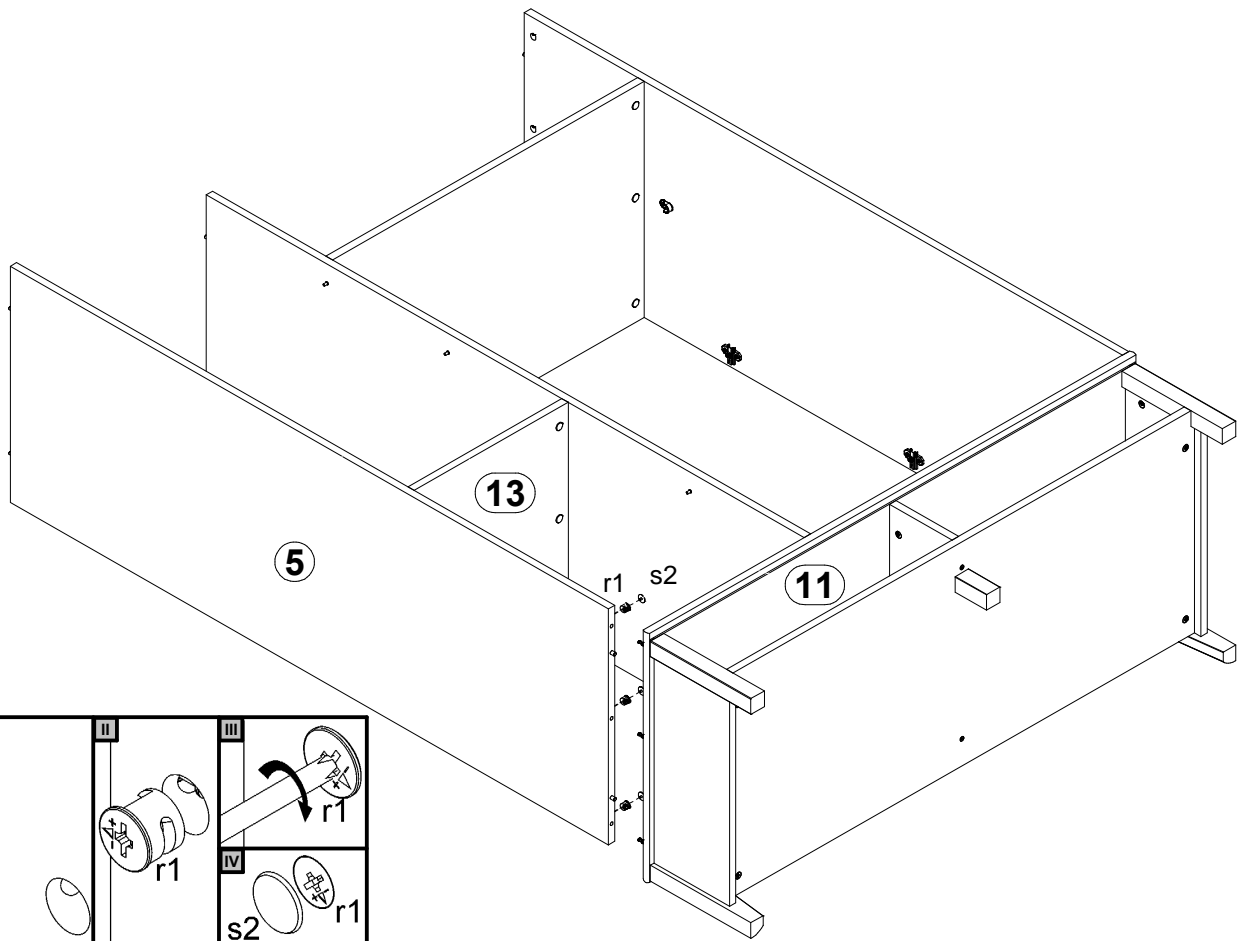
1



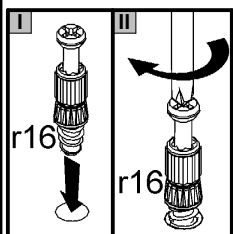
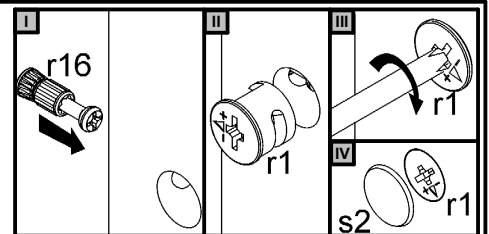
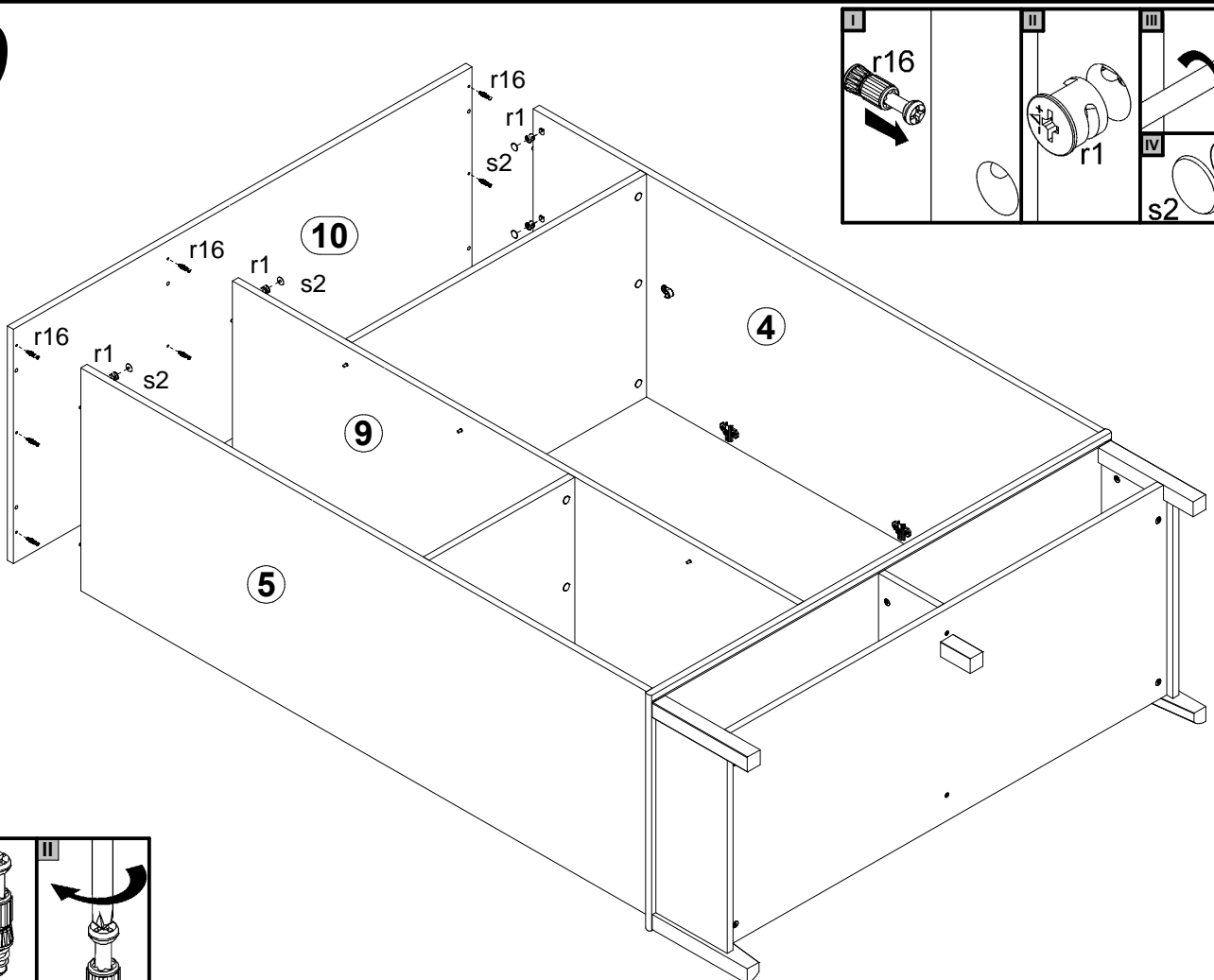




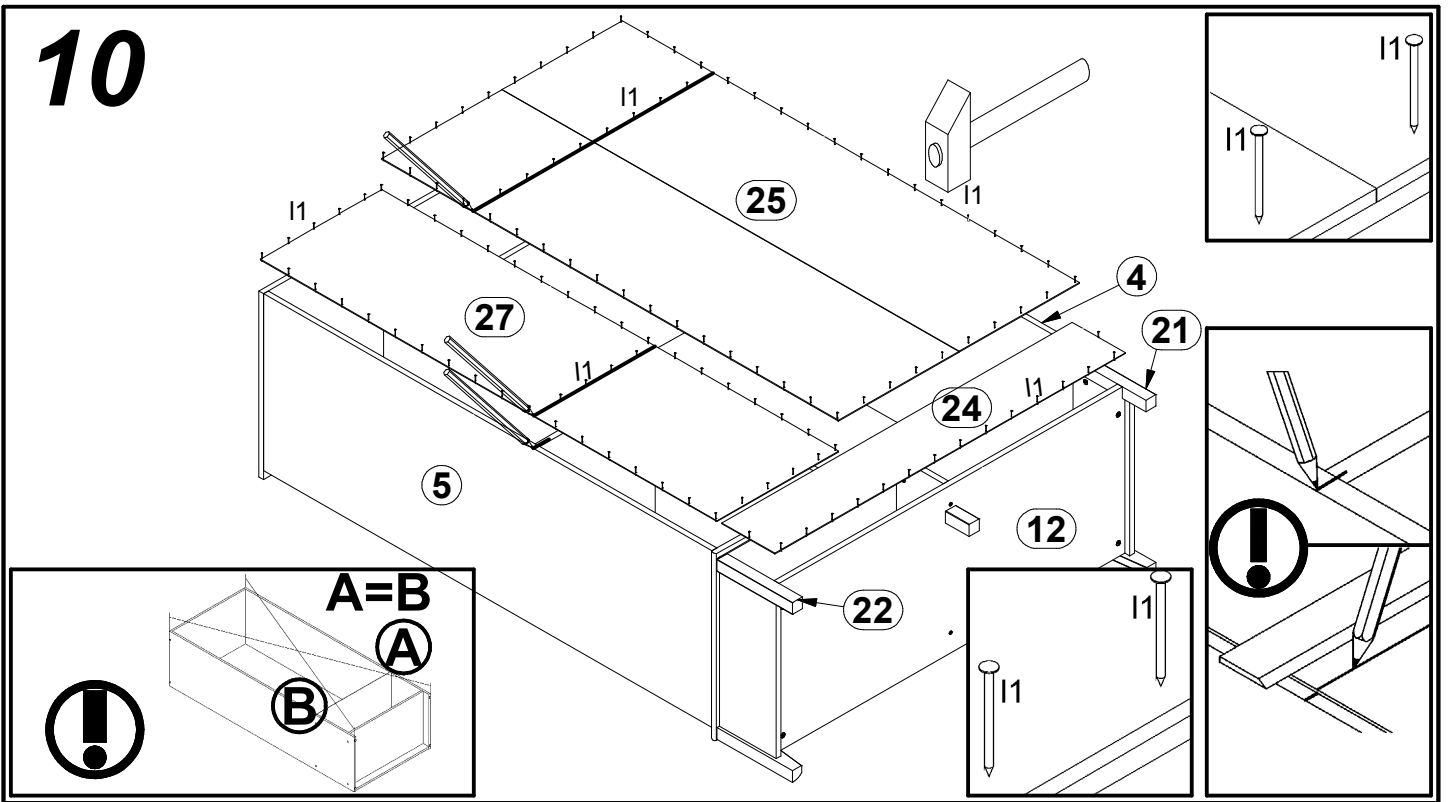
8



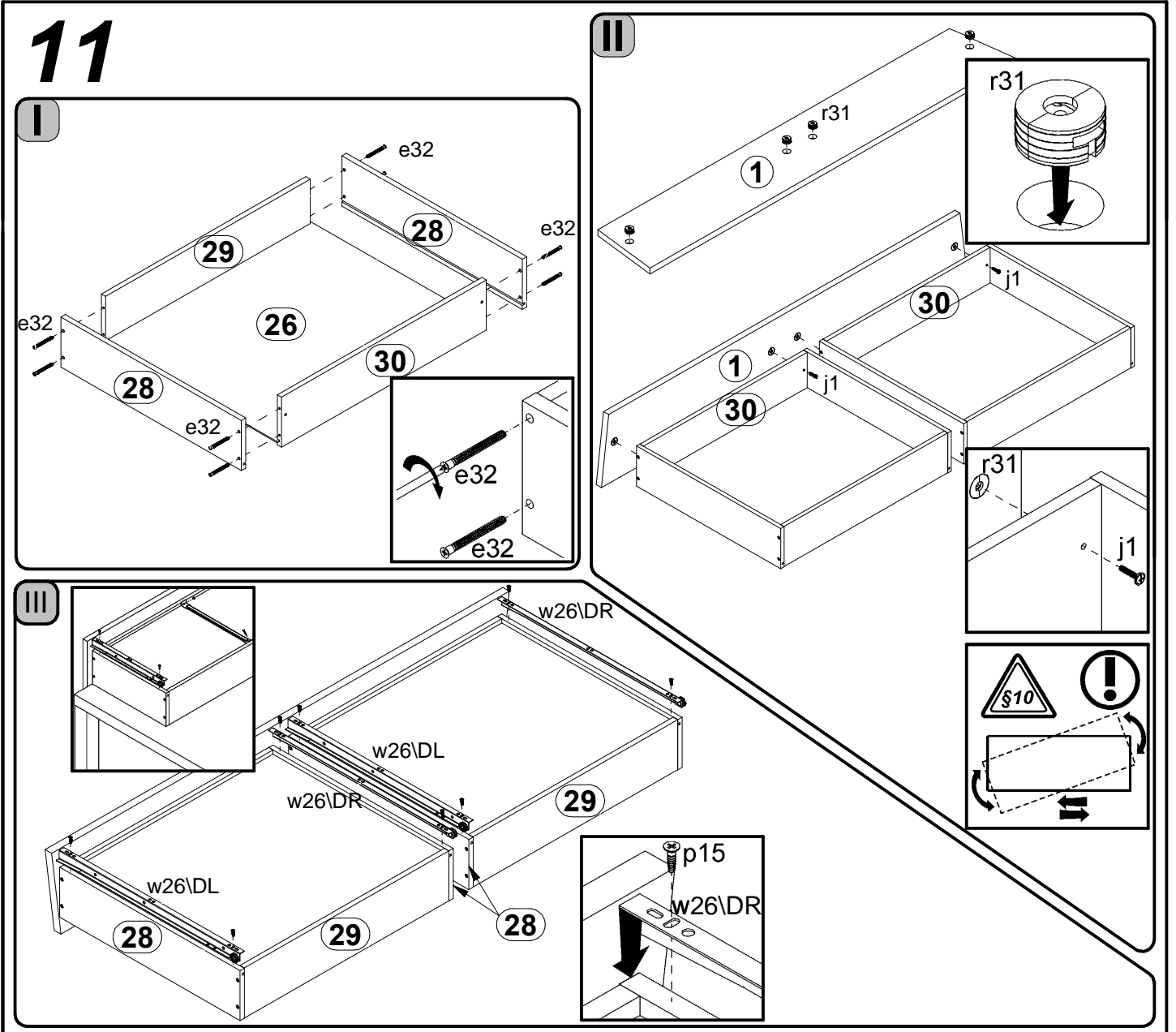
9



10



11



12

