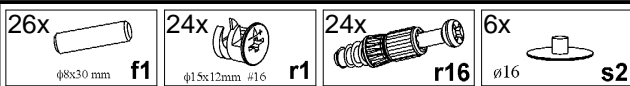
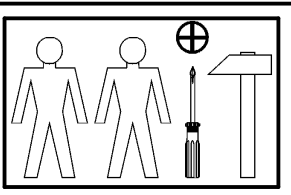
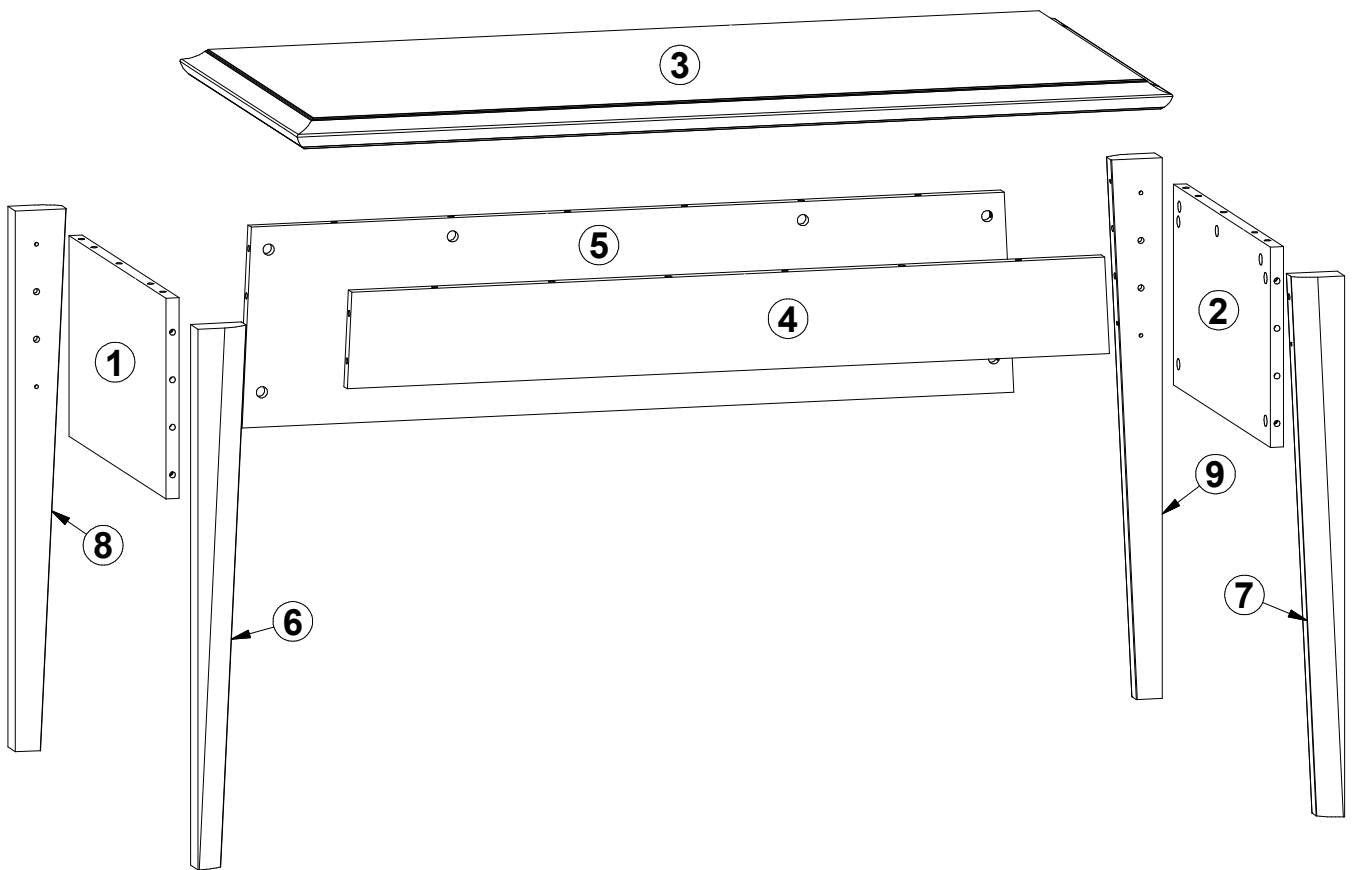
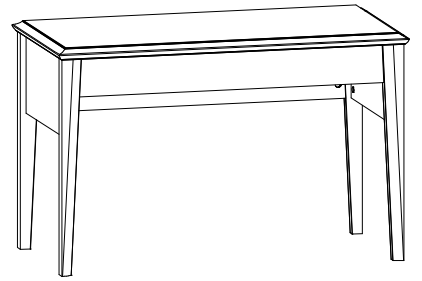
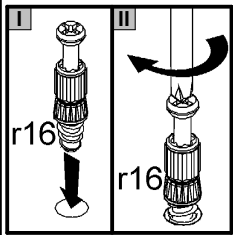
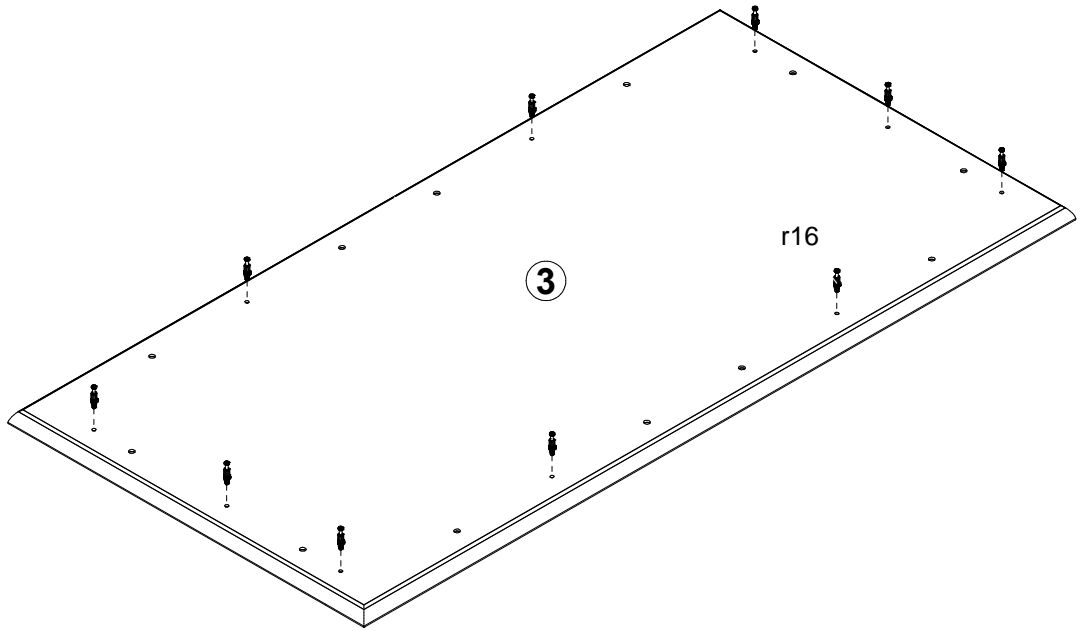


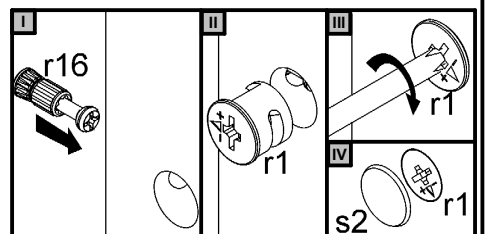
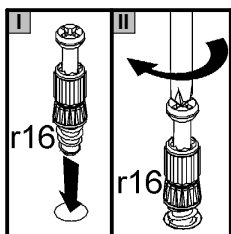
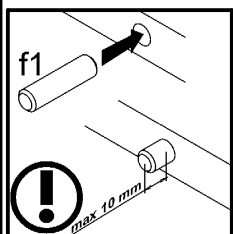
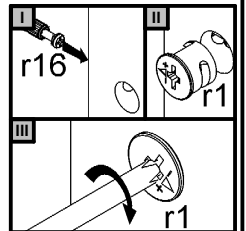
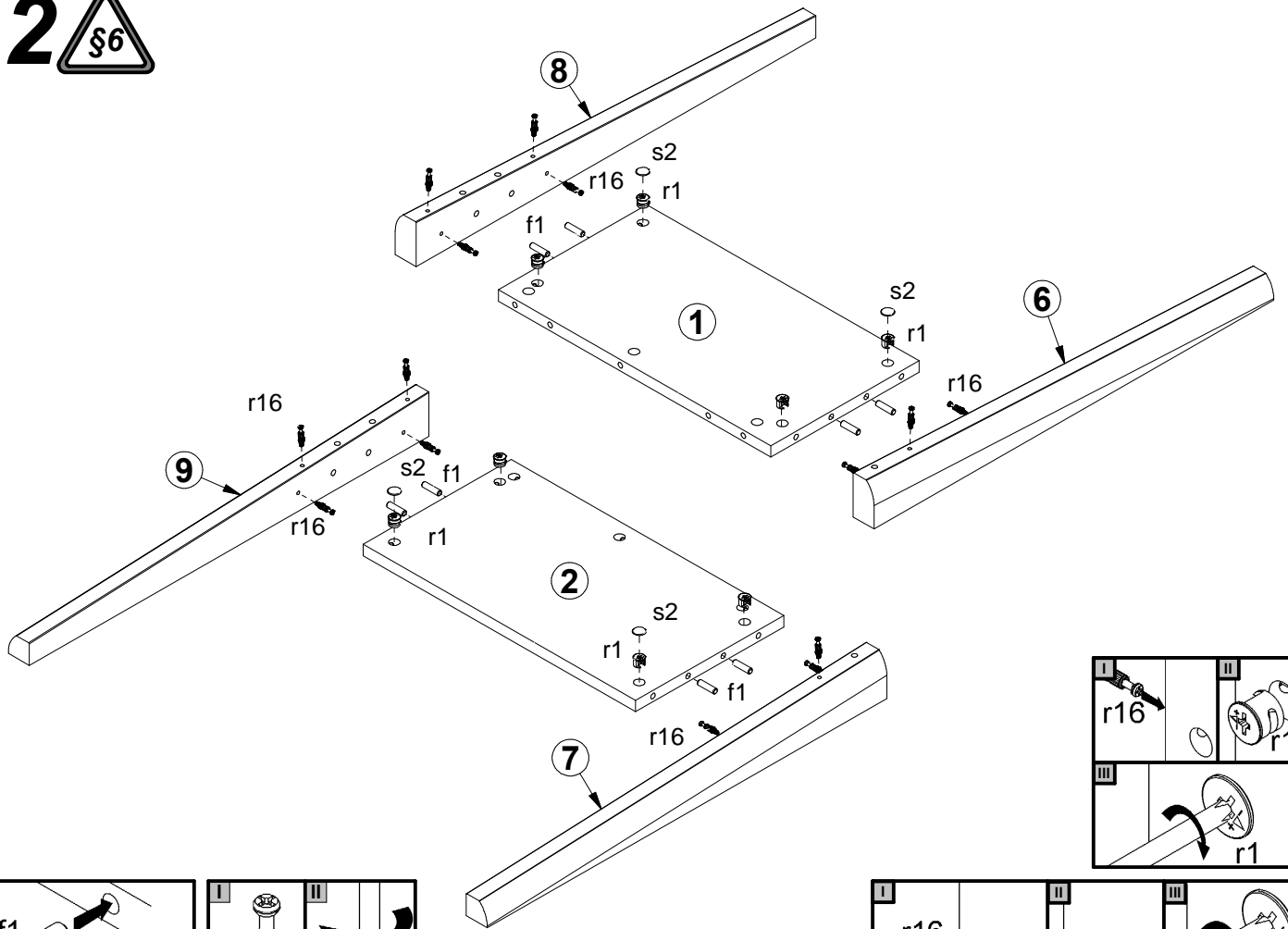
A	B	C		D
1	S63-135	270	496	2/3
2	S63-136	270	496	2/3
3	S63-257	1200	600	1/3
4	S63-405	1044	130	2/3
5	S63-410	1058	270	2/3
6	S63-585	728	70	3/3
7	S63-586	728	70	3/3
8	S63-592	728	70	3/3
9	S63-593	728	70	3/3



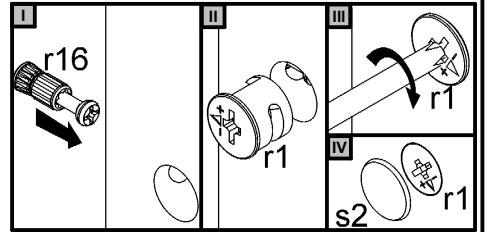
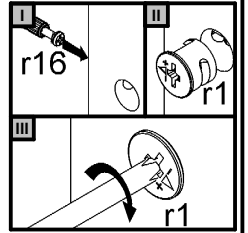
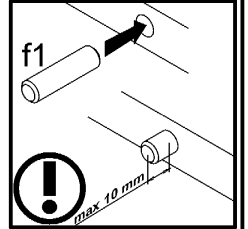
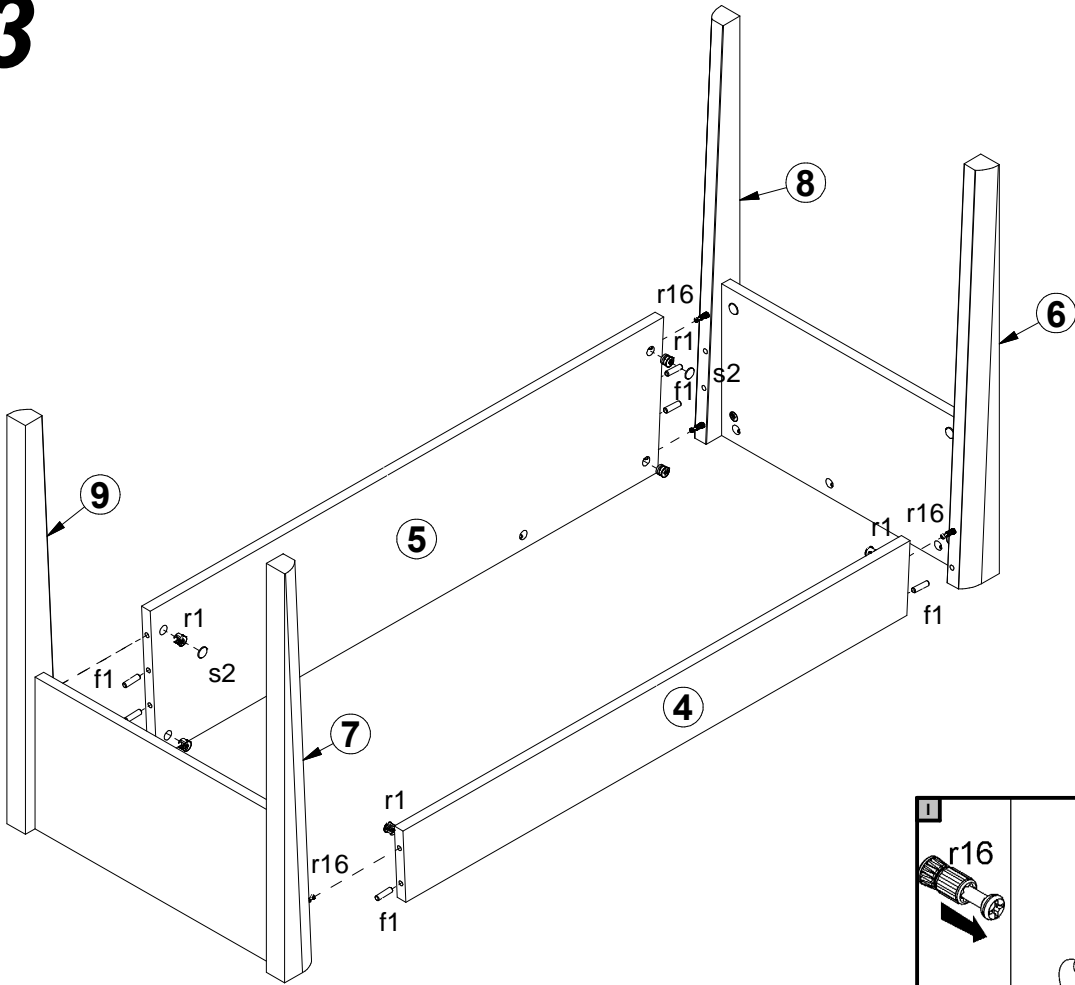
# 1

# 2

# 3



# 4

