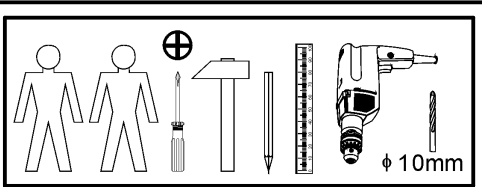
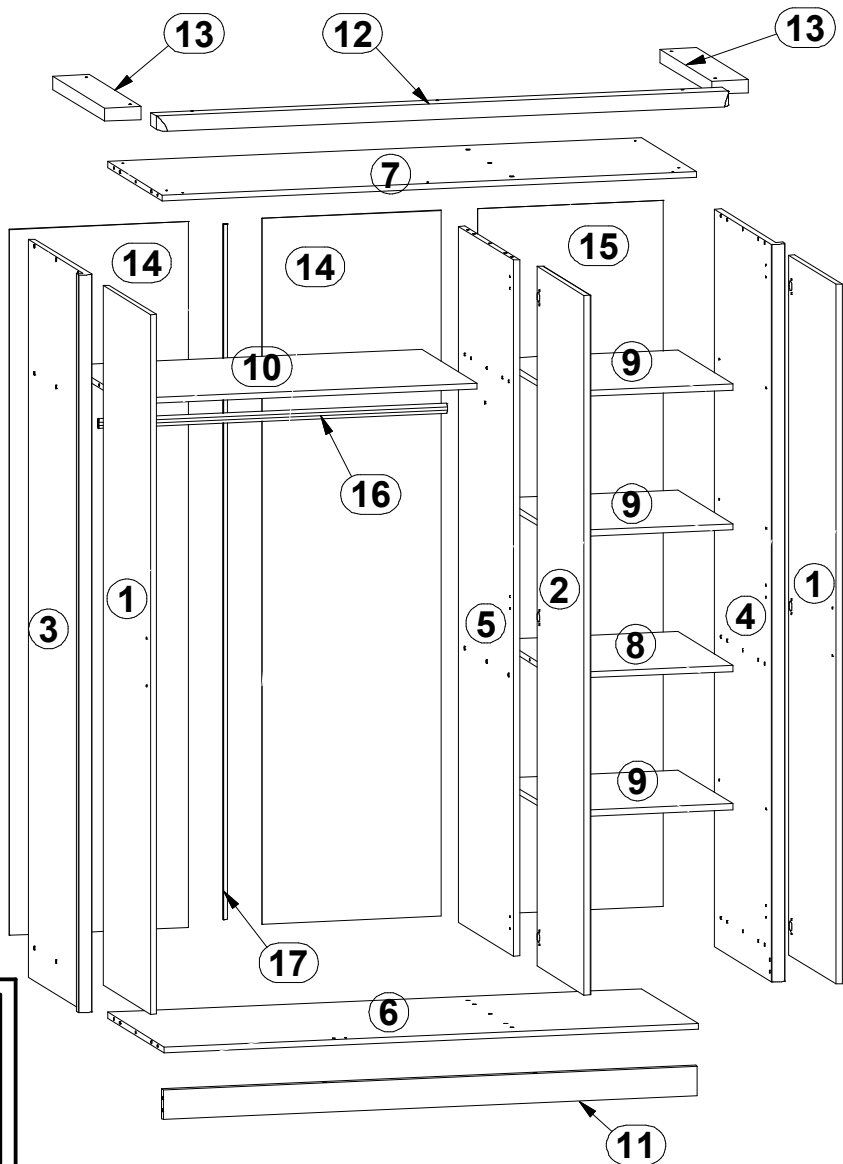
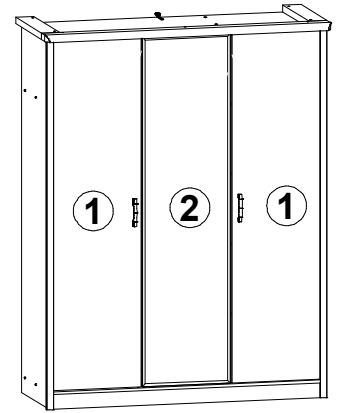


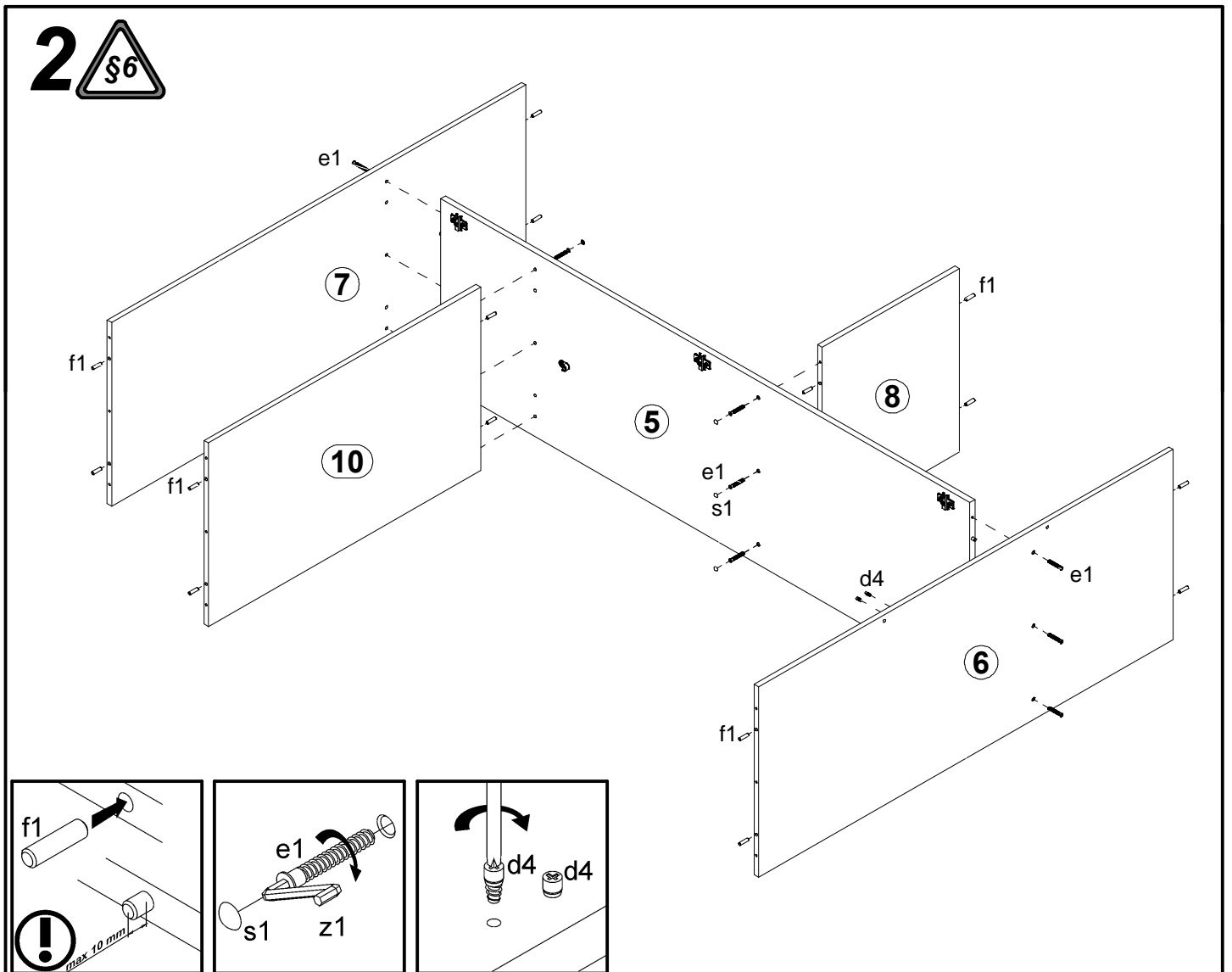
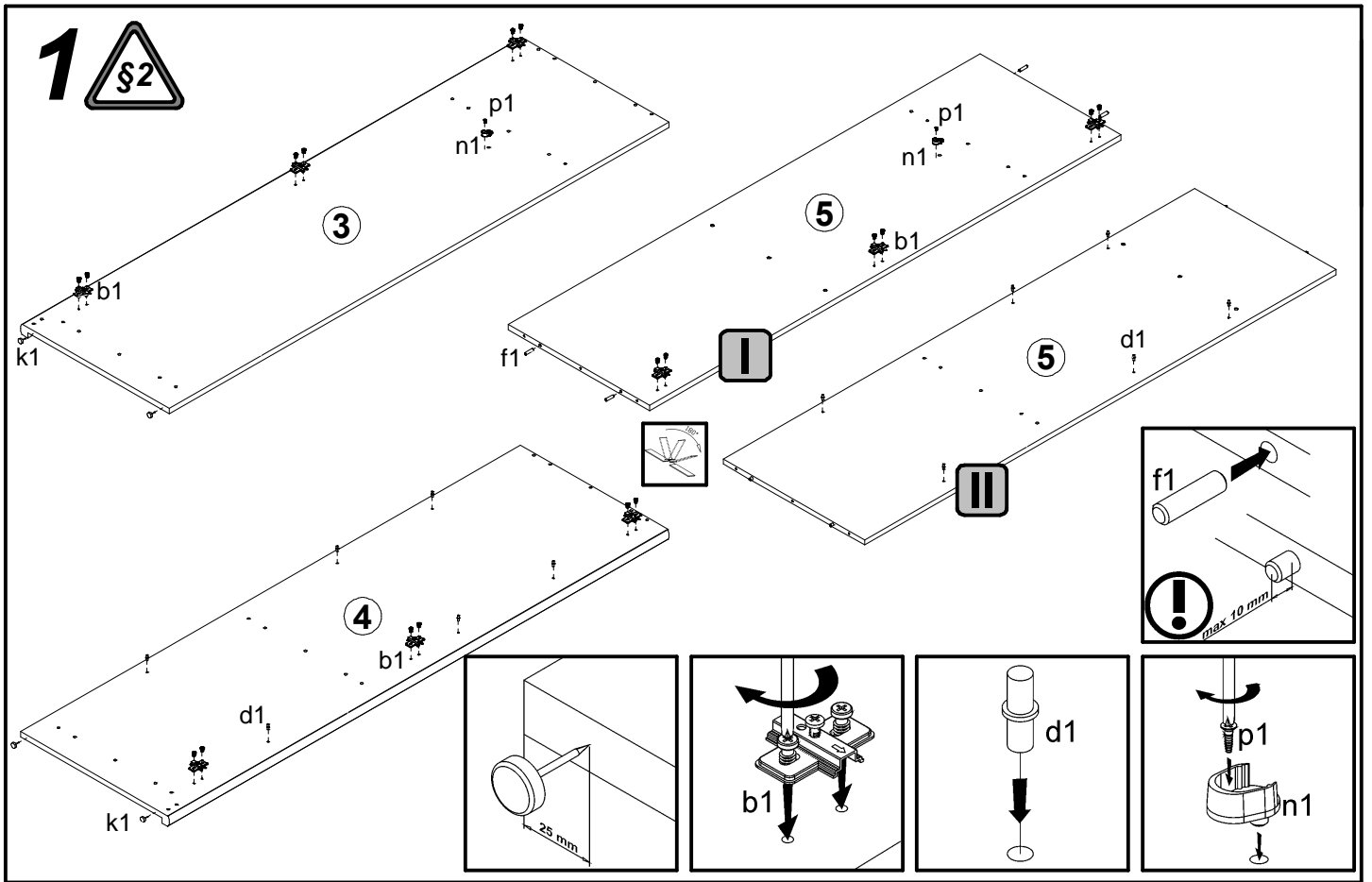
SEN II

Szafa

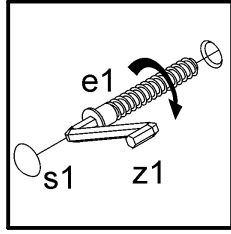
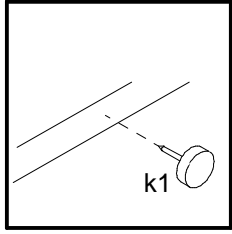
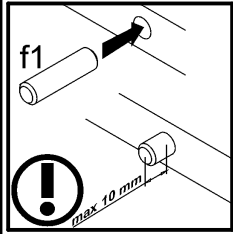
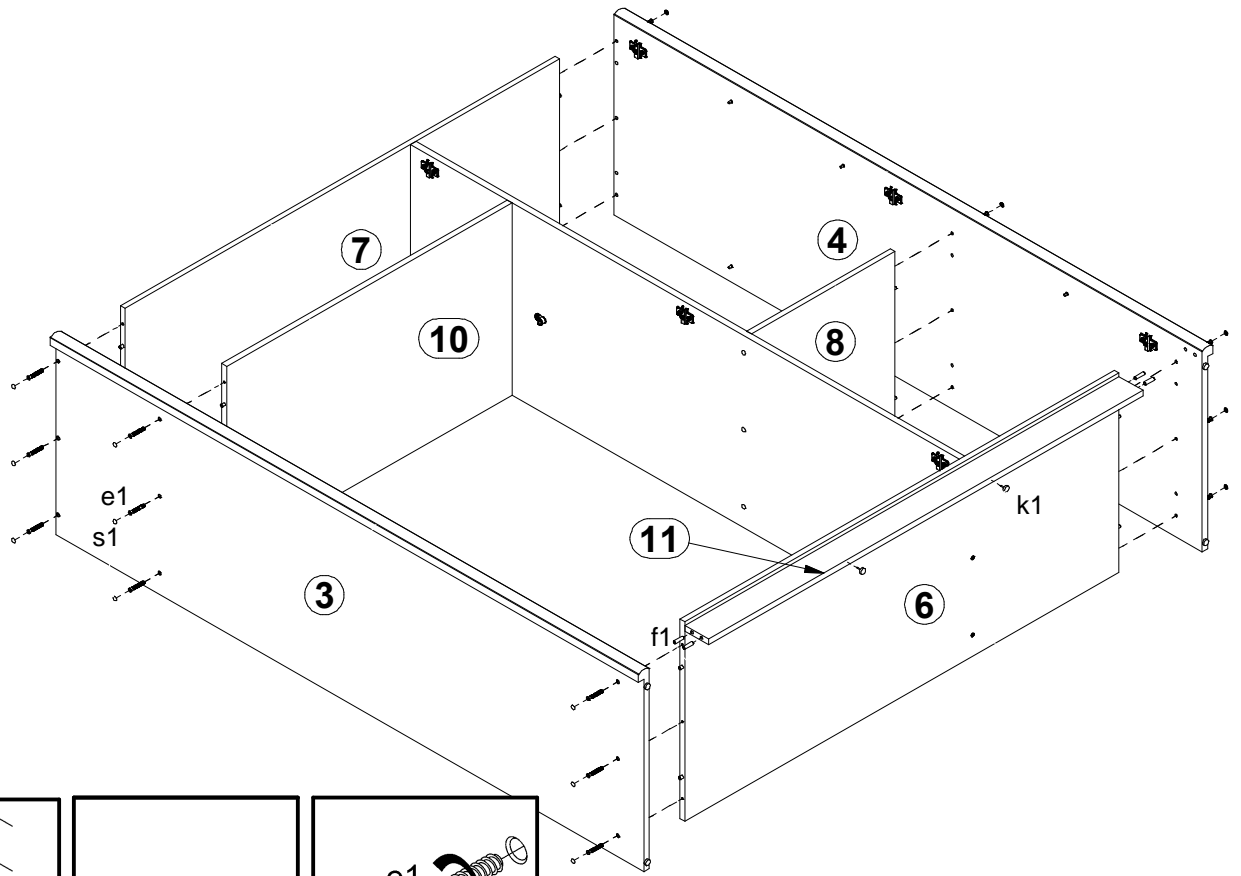
A	B	C	D	
1	SE2-001	1880	484	3/5
2	SE2-004	1880	484	4/5
3	SE2-101	1982	590	1/5
4	SE2-102	1982	590	1/5
5	SE2-103	1870	560	1/5
6	SE2-301	1464	580	2/5
7	SE2-302	1464	560	2/5
8	SE2-303	484	560	2/5
9	SE2-304	484	560	2/5
10	SE2-305	962	560	2/5
11	SE2-401	1464	80	1/5
12	SE2-571/A	1566	100	5/5
13	SE2-572/A	530	100	5/5
14	SE2-901	1896	492	1/5
15	SE2-902	1896	508	1/5
16	dr-955	955	24	1/5
17	lh-1868	1868	14	1/5



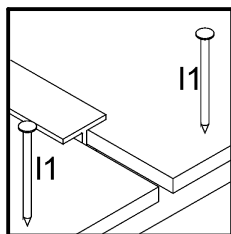
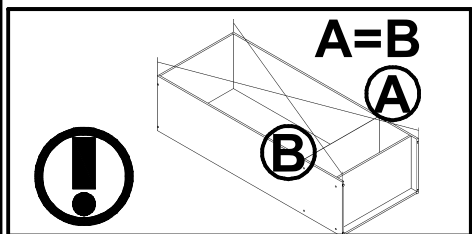
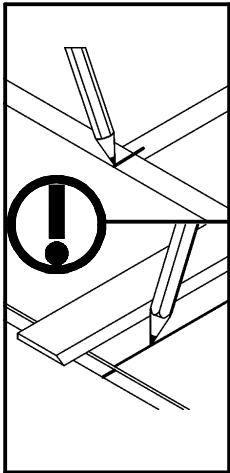
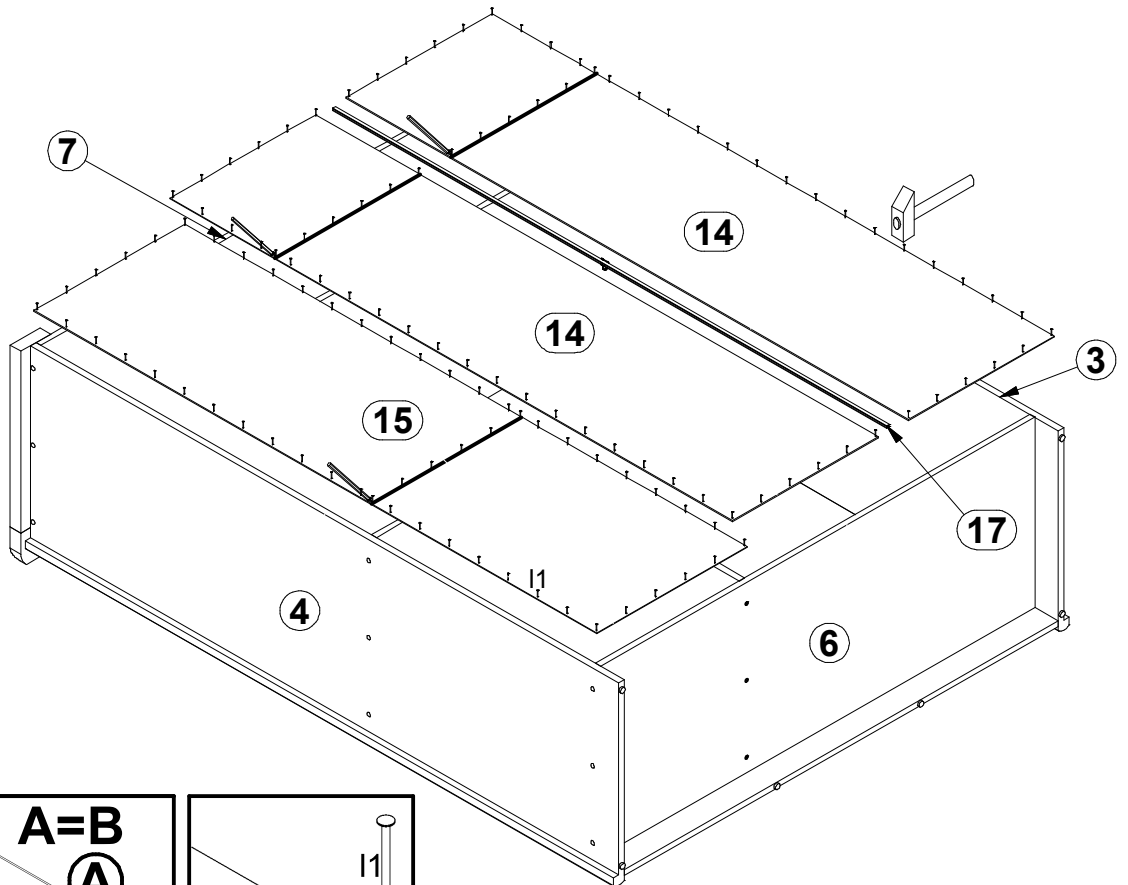
6x a1	3x a2	9x b1	2x c39	12x d1 φ5x17 mm	2x d4 φ6,3x15 mm	30x e1 φ7x50 mm	26x f1 φ8x30 mm	1x f35 φ10x50 mm
6x k1	126x l1	2x n1	1x n14 81x21x15/1,5mm	2x p1 φ3,5x13 mm	7x p12 φ4x50 mm	1x p17 φ5x60 mm	4x p8 φ4x25 mm	2x p38 φ3,5x16 mm
24x s1								



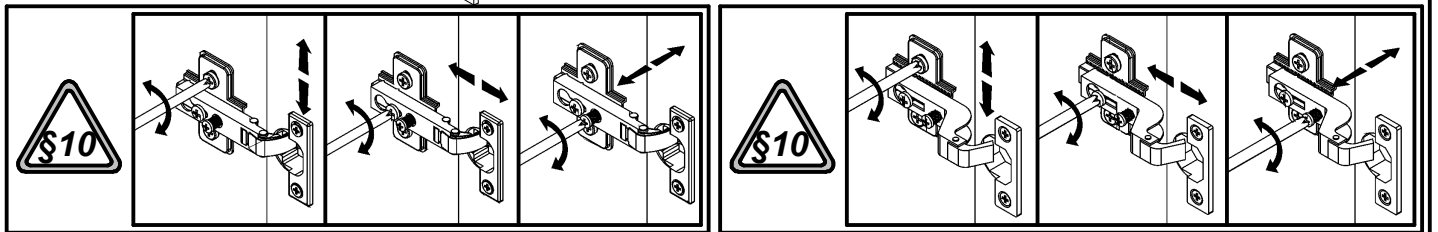
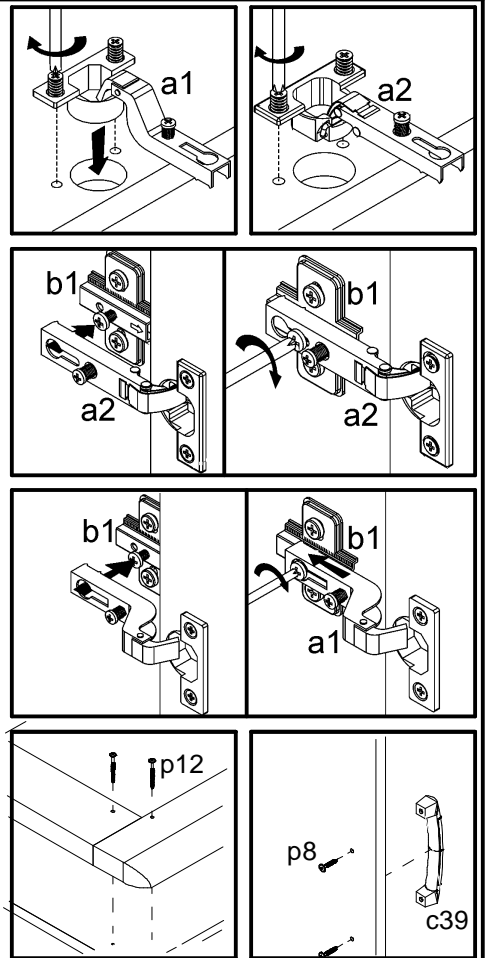
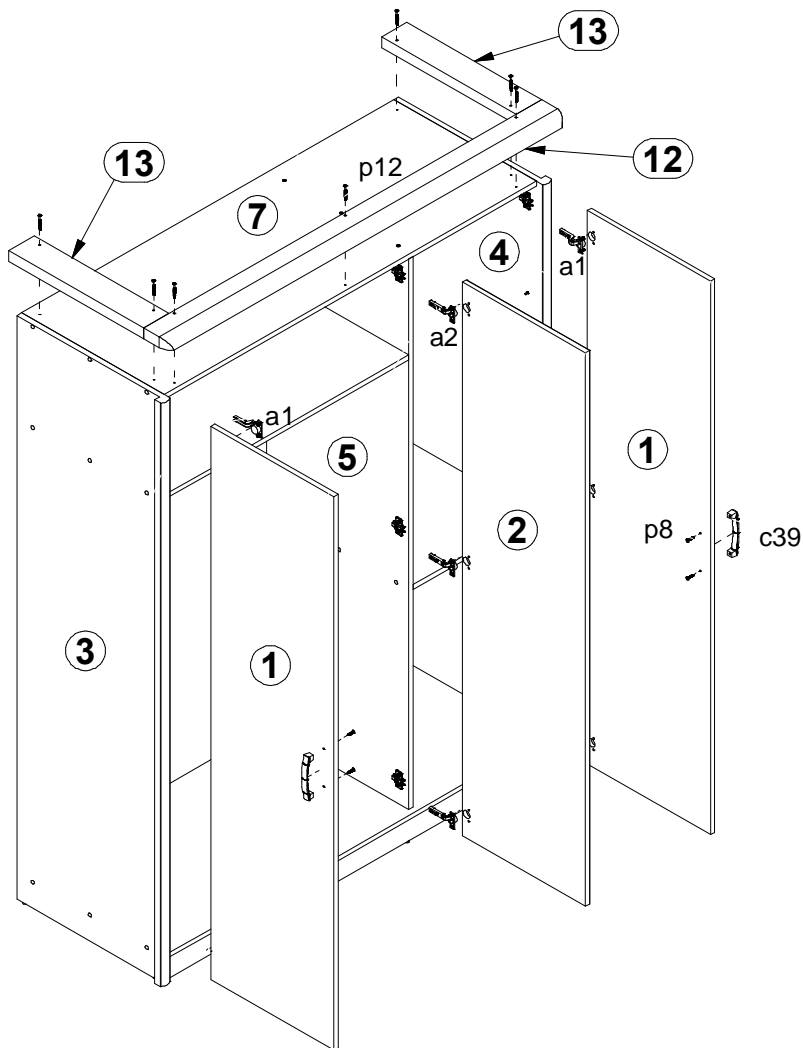
3



4



5



6

