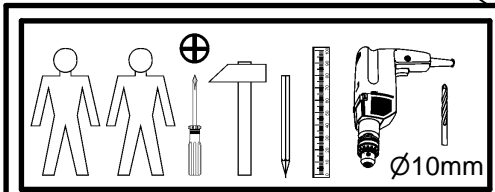
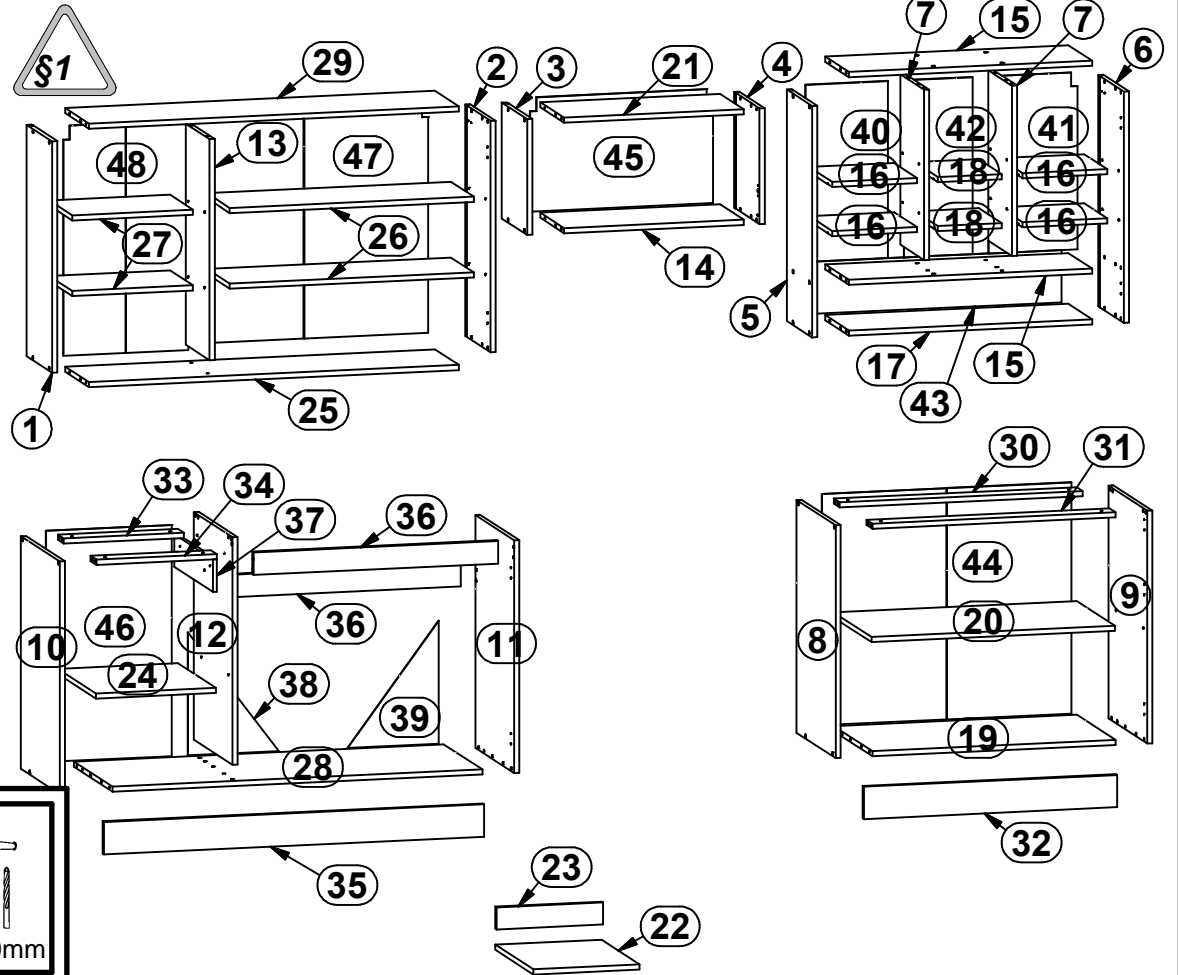


FAMILY LINE

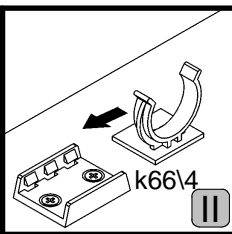
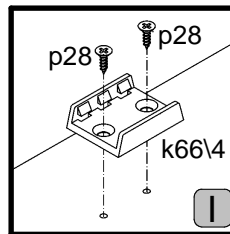
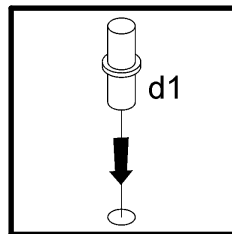
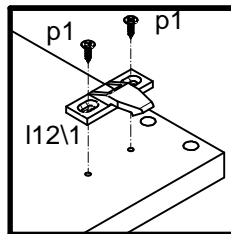
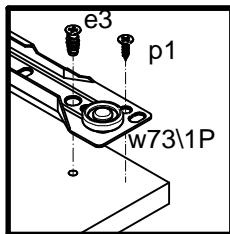
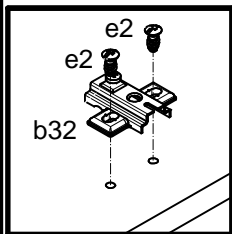
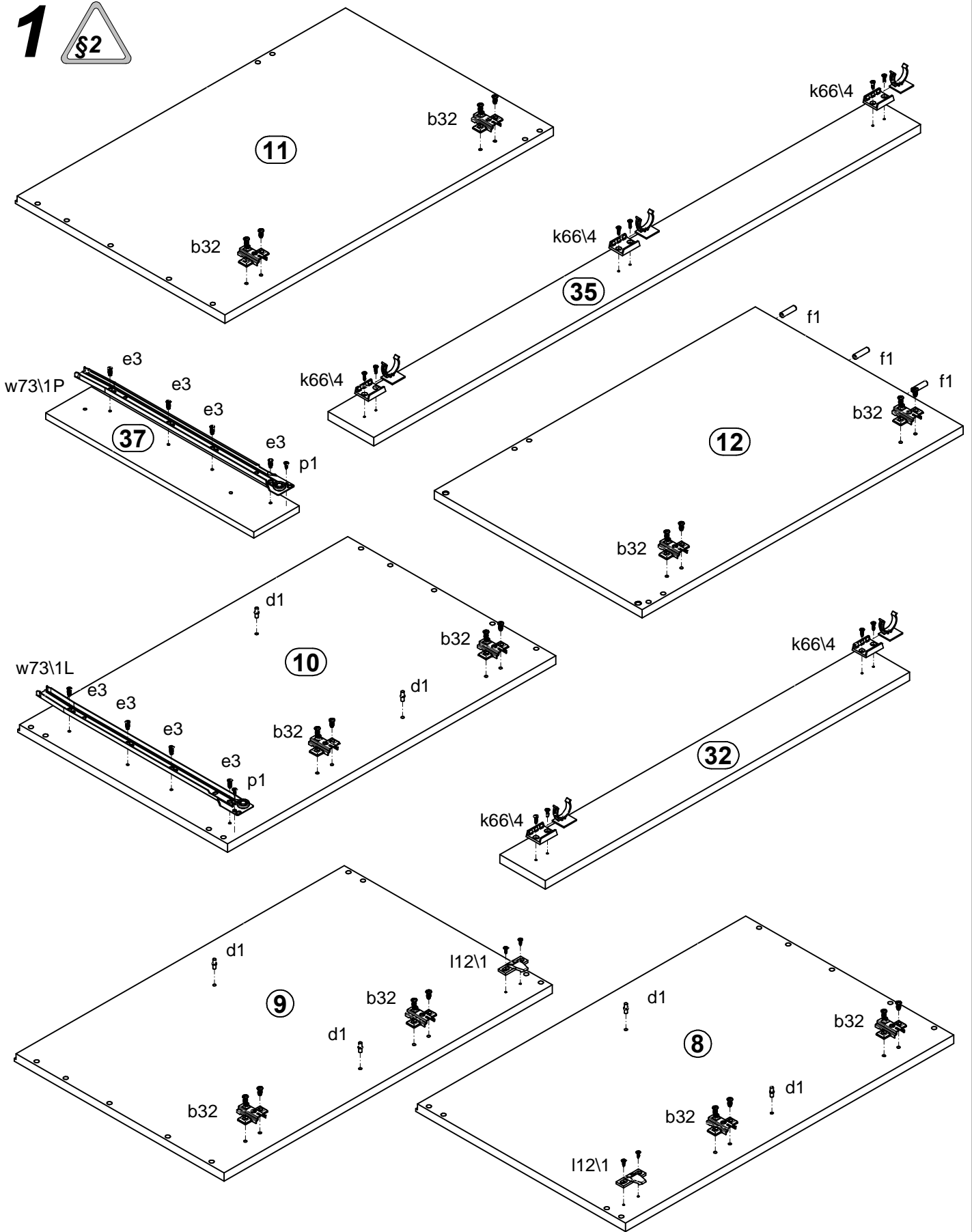
K10-260 CLASSIC L

A	B	C	D	A	B	C	D		
1	K10-101	716	300	3/8	29	K10-393	1167	280	3/8
2	K10-102	716	300	3/8	30	K10-430	767	70	4/8
3	K10-111	358	300	3/8	31	K10-431	767	70	2/8
4	K10-112	358	300	3/8	32	K10-432	799	100	2/8
5	K10-133/A	716	300	3/8	33	K10-464	379	70	2/8
6	K10-134/A	716	300	3/8	34	K10-465	379	70	2/8
7	K10-135/A	527	280	4/8	35	K10-466	1199	100	2/8
8	K10-138	720	460	1/8	36	K10-467	772	70	2/8
9	K10-139	720	460	1/8	37	K10-711	100	456	2/8
10	K10-115	720	460	1/8	38	K10-917	380	287	1/8
11	K10-166	720	460	1/8	39	K10-918	380	287	1/8
12	K10-167	704	456	1/8	40	K10-920/A	548	280	4/8
13	K10-168	684	280	4/8	41	K10-921/A	548	280	4/8
14	K10-341	567	280	4/8	42	K10-922/A	548	217	4/8
15	K10-343	767	280	4/8	43	K10-923/A	777	162	3/8
16	K10-344	267	270	3/8	44	K10-926	715	787	1/8
17	K10-345	767	280	4/8	45	K10-929	353	577	1/8
18	K10-346	201	270	4/8	46	K10-944	715	397	1/8
19	K10-350	767	456	2/8	47	K10-945	711	783	1/8
20	K10-351	767	446	2/8	48	K10-947	711	394	1/8
21	K10-355	567	280	4/8					
22	K10-372	336	448	2/8					
23	K10-373	336	68	2/8					
24	K10-388	379	446	2/8					
25	K10-389	1167	280	3/8					
26	K10-390	770	270	4/8					
27	K10-391	381	270	3/8					
28	K10-392	1167	456	2/8					

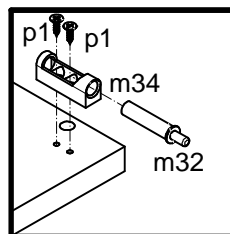
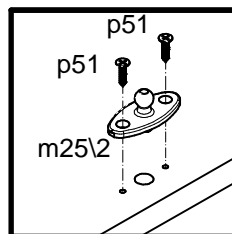
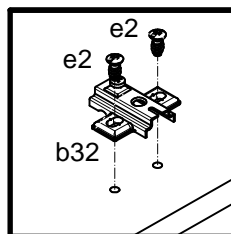
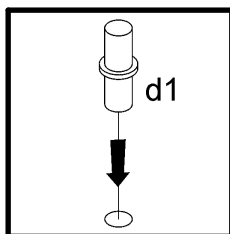
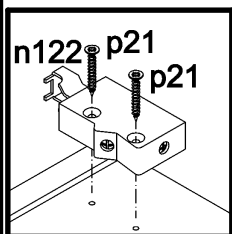
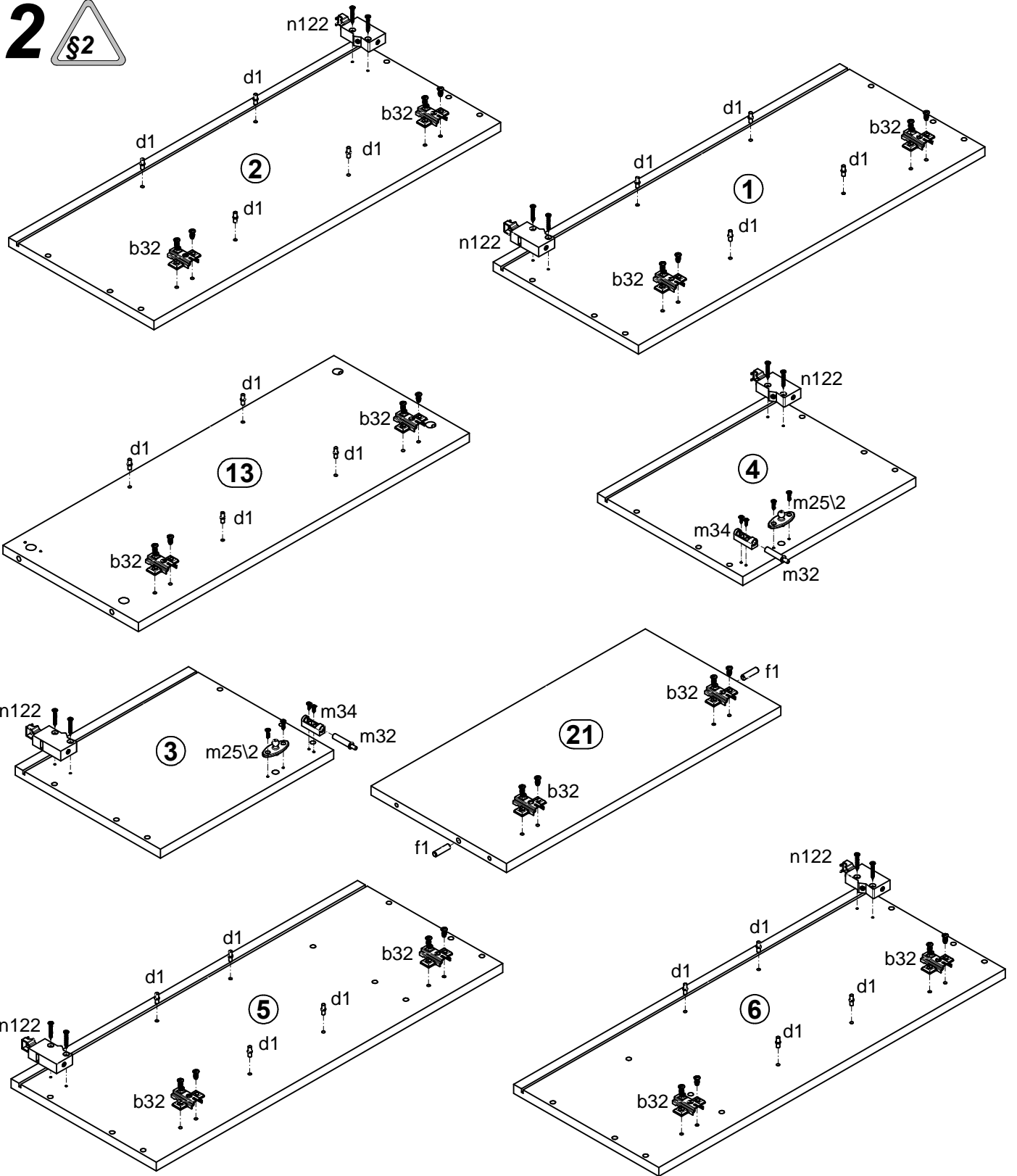


22x a83	22x b32	48x φ5x17 mm d1	58x φ7x50 mm e1	44x φ6,3x13 mm e2	8x φ6x13 mm e3	2x φ6x22 mm e31	45x φ8x30 mm f1	7x φ10x50 mm f35	20x M4x12 mm j45 1	10x j45 2	10x k66 1	10x k66 2
10x k66 3	5x k66 4	180x l1	2x l12 1	2x l12 2	2x m25 2	2x 50 N m25 7	2x m25 9	2x m32	2x m34	7x n122	14x φ3,5x13 mm p1	22x φ4x30 mm p21
12x φ3,5x13 mm p27	10x φ4x13 mm p28	52x φ3,5x15 mm p51	40x φ4x16 mm p69	7x φ6x60 mm p127	4x φ15x12 mm #16 r1	4x r42	1x 450 mm w73 1L	1x 450 mm w73 1P	1x w73 2L	1x w73 2P	2x w73 3	20x s1
4x Ø16 s2	2x z1											

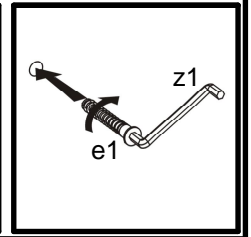
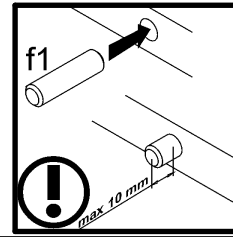
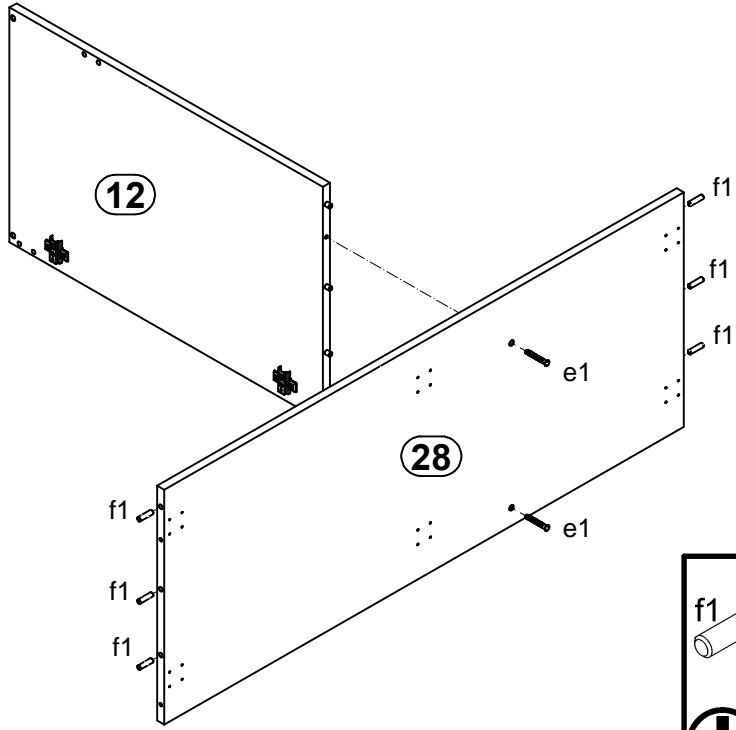
1



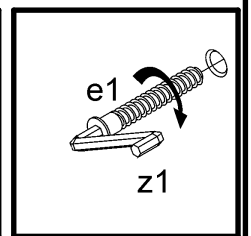
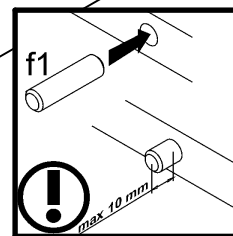
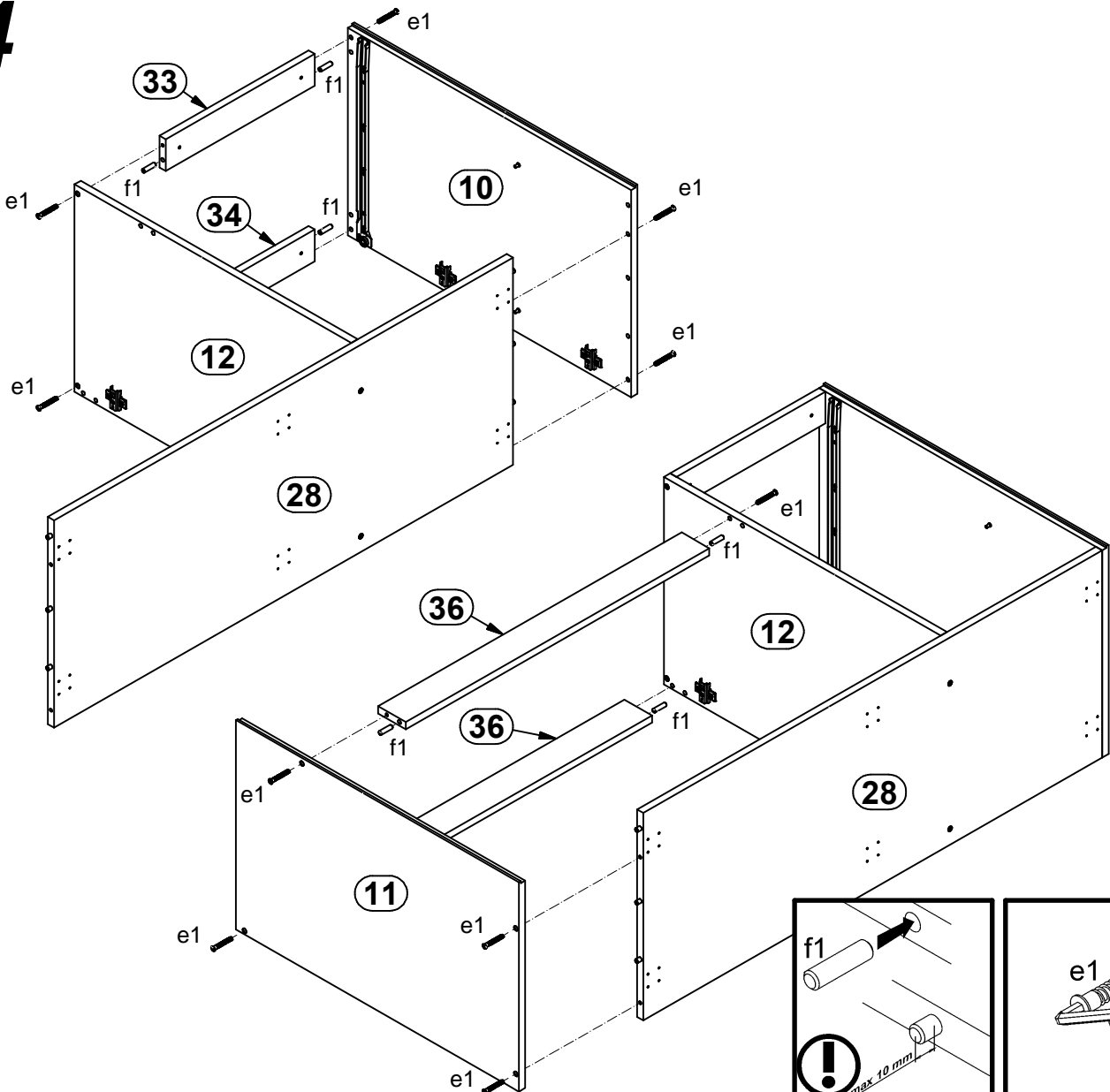
2 

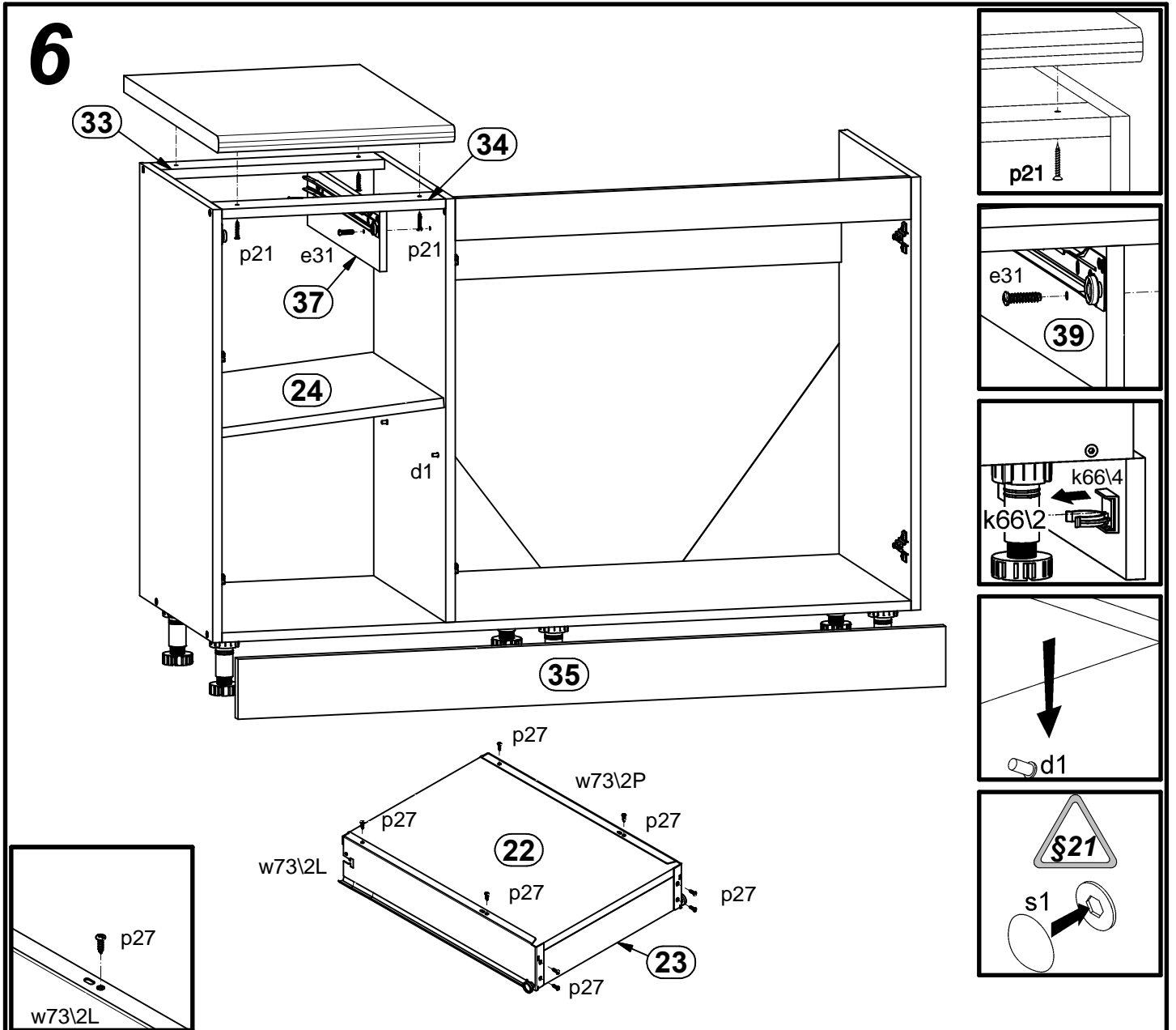
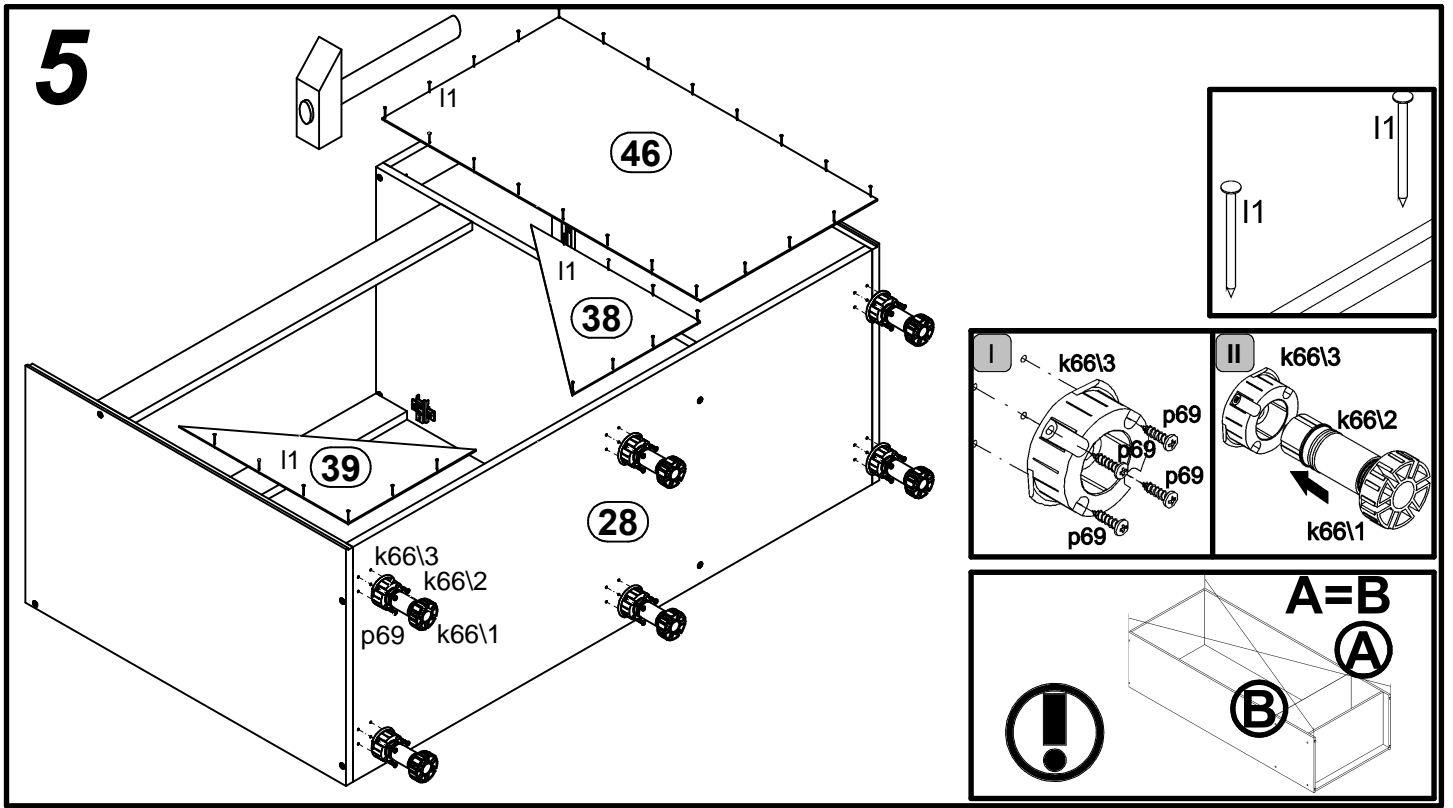


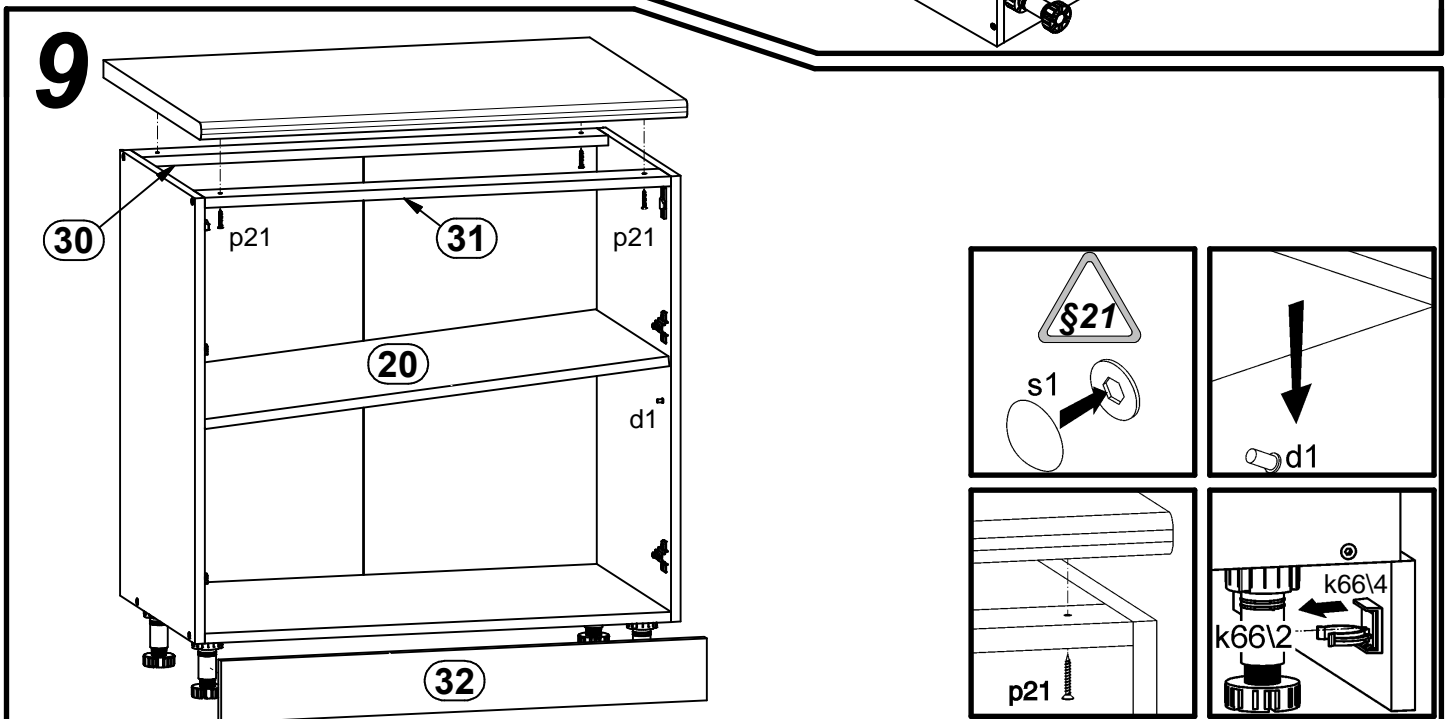
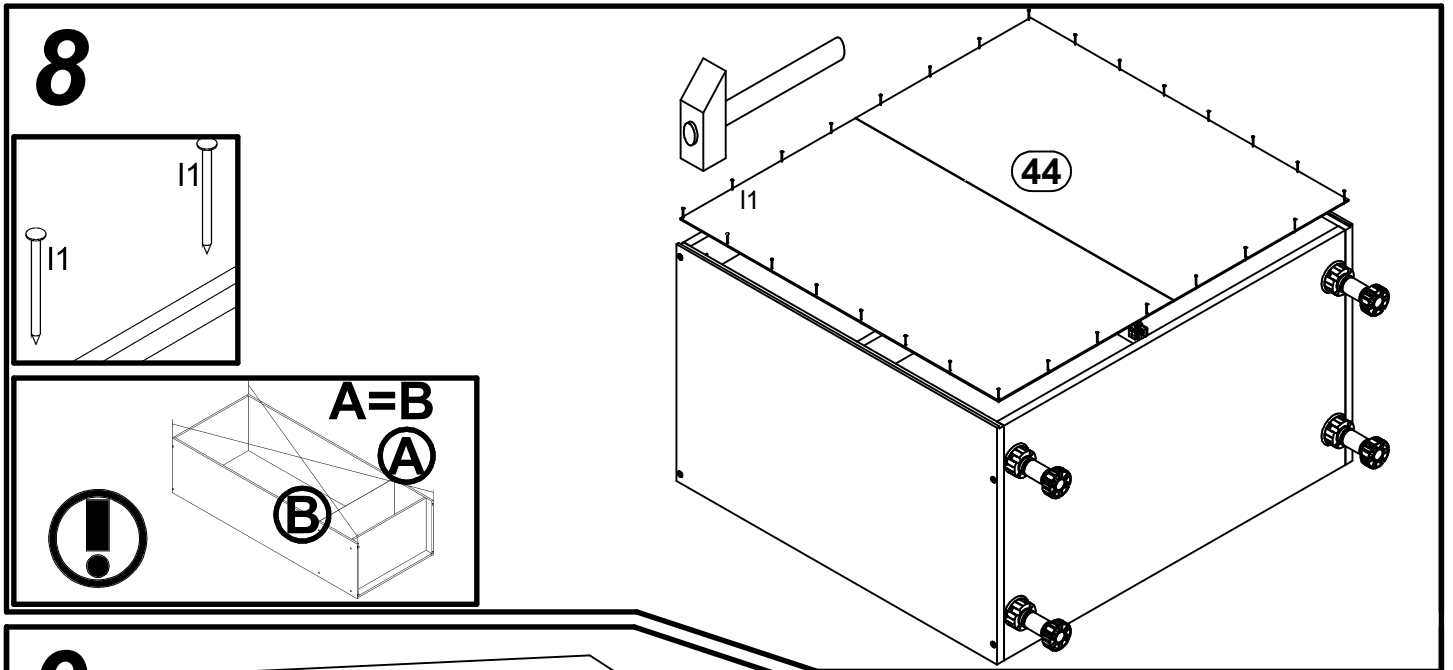
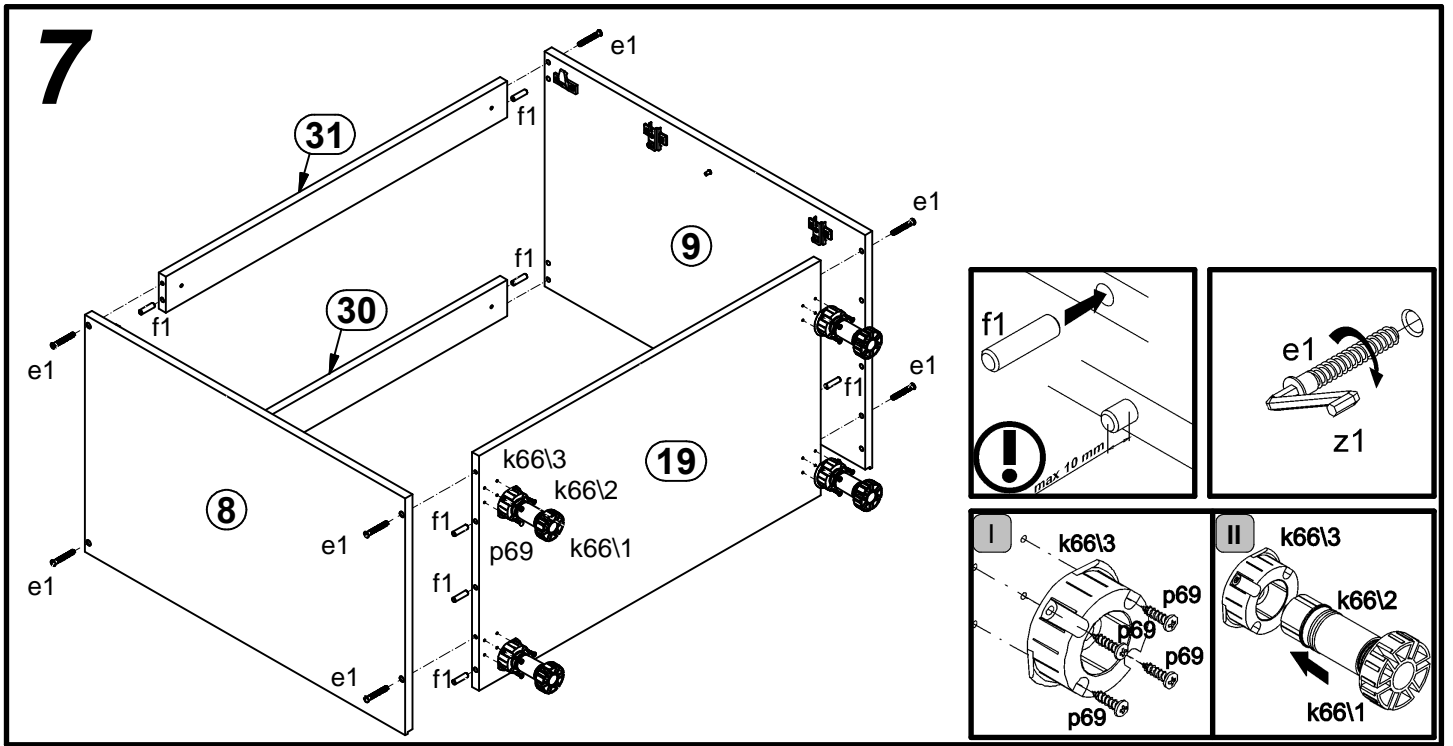
3



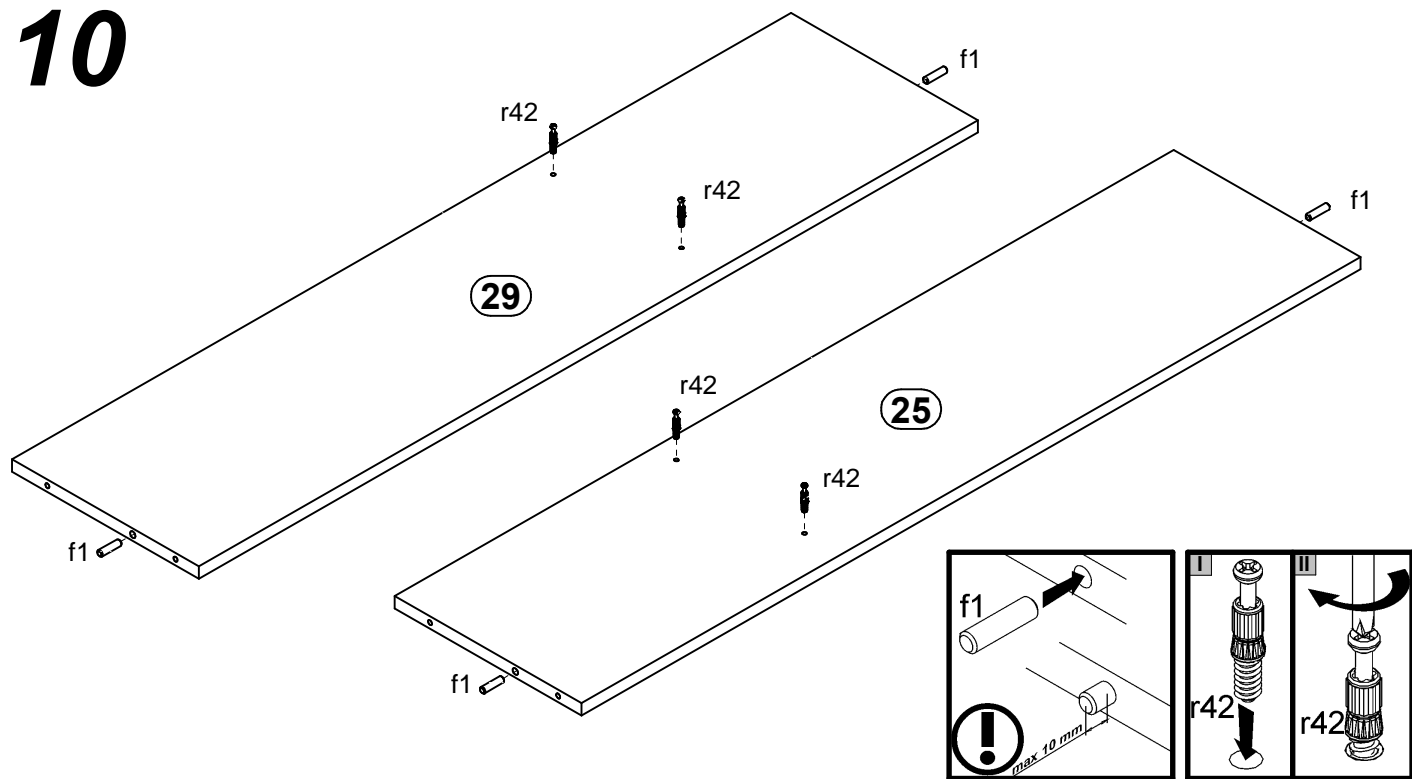
4



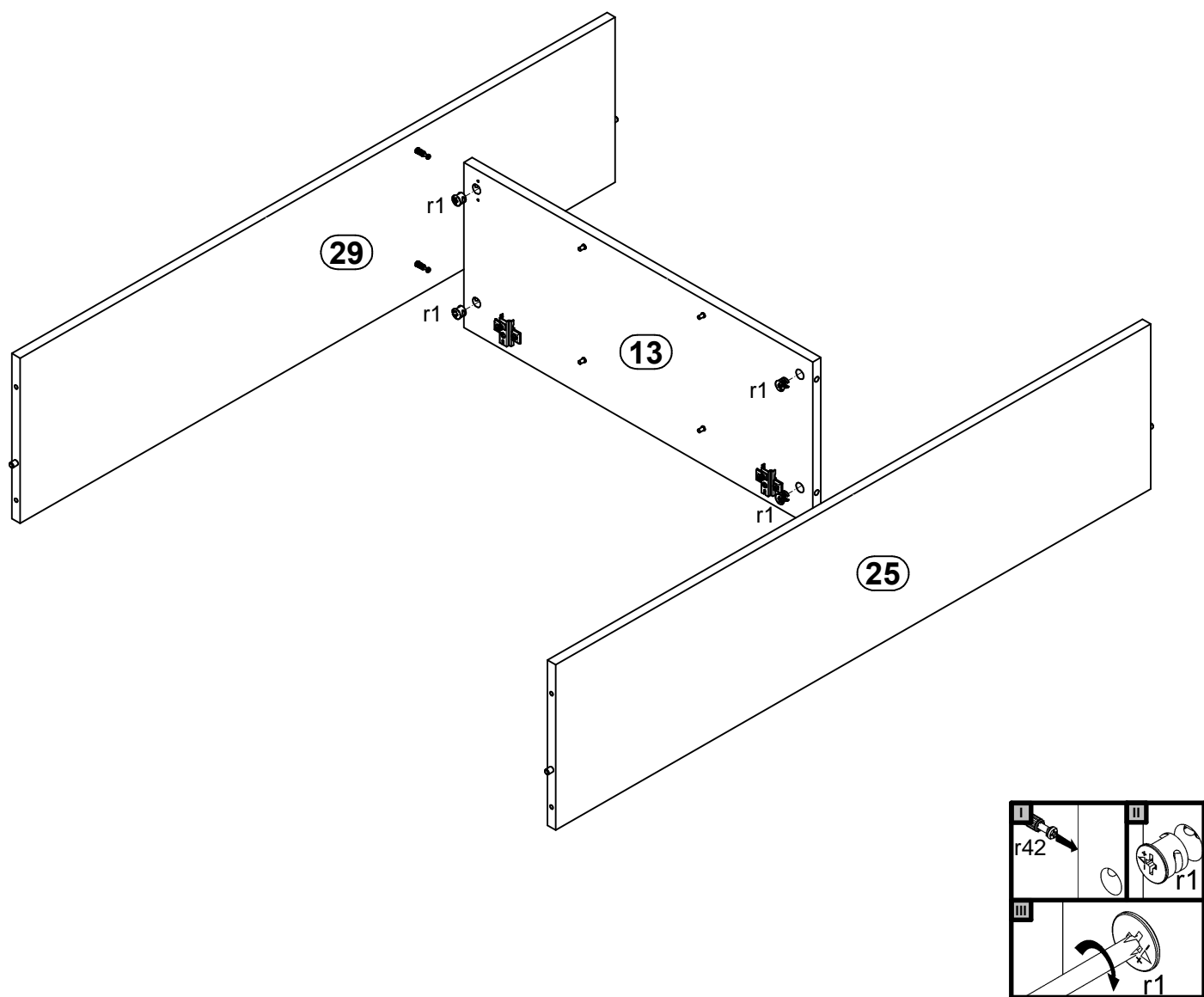




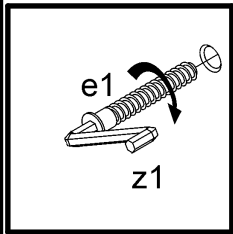
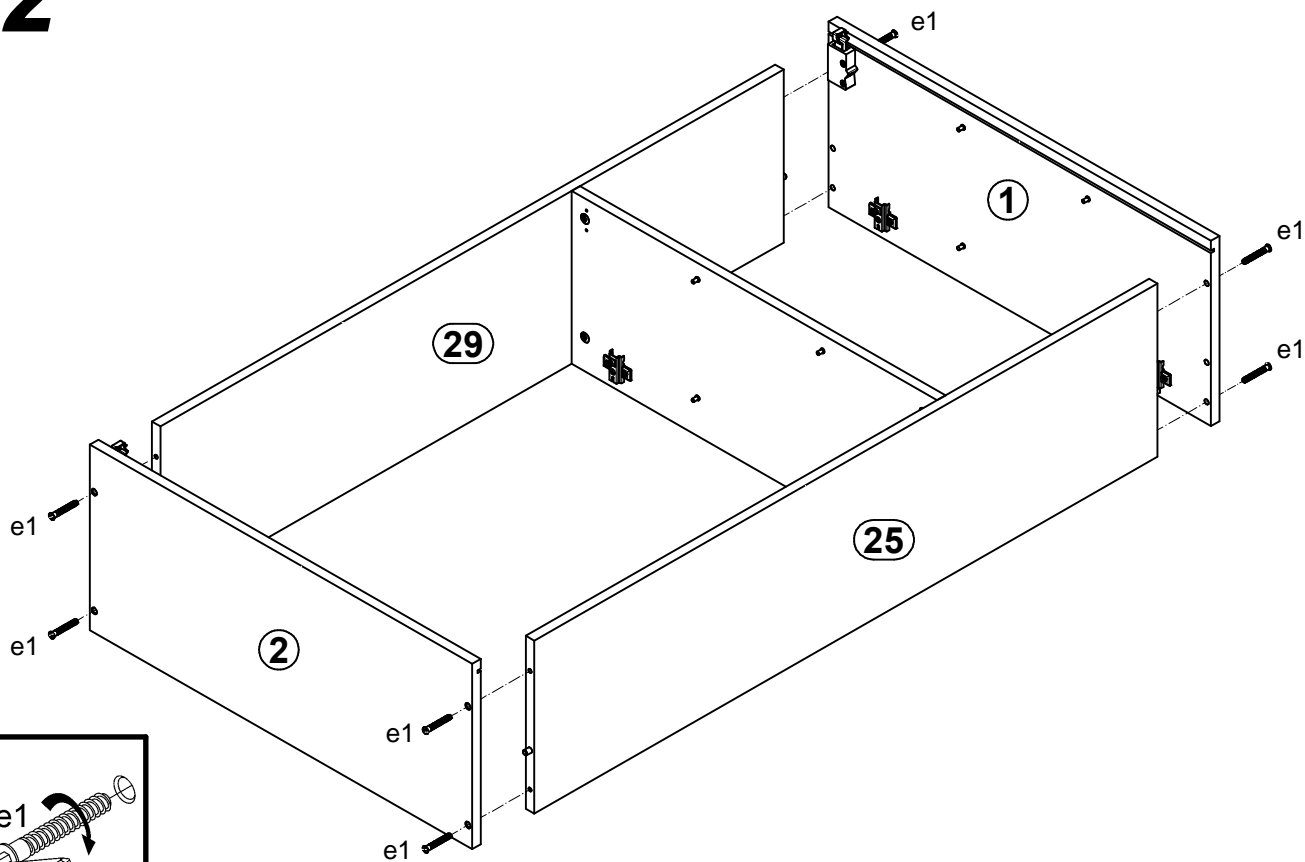
10



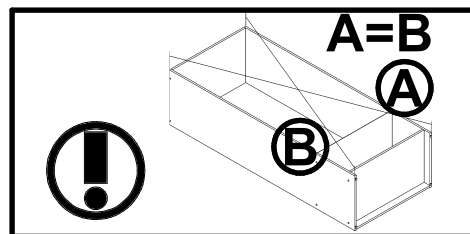
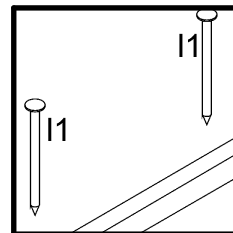
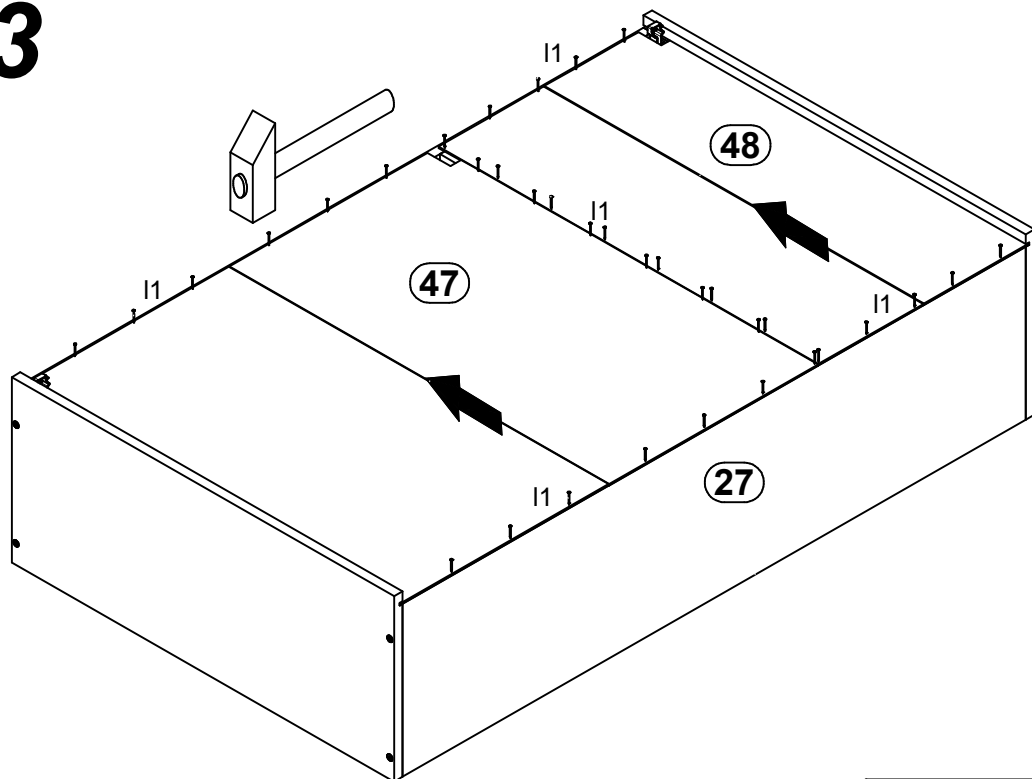
11



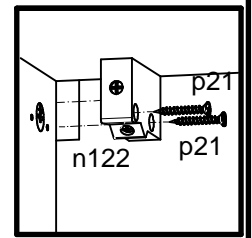
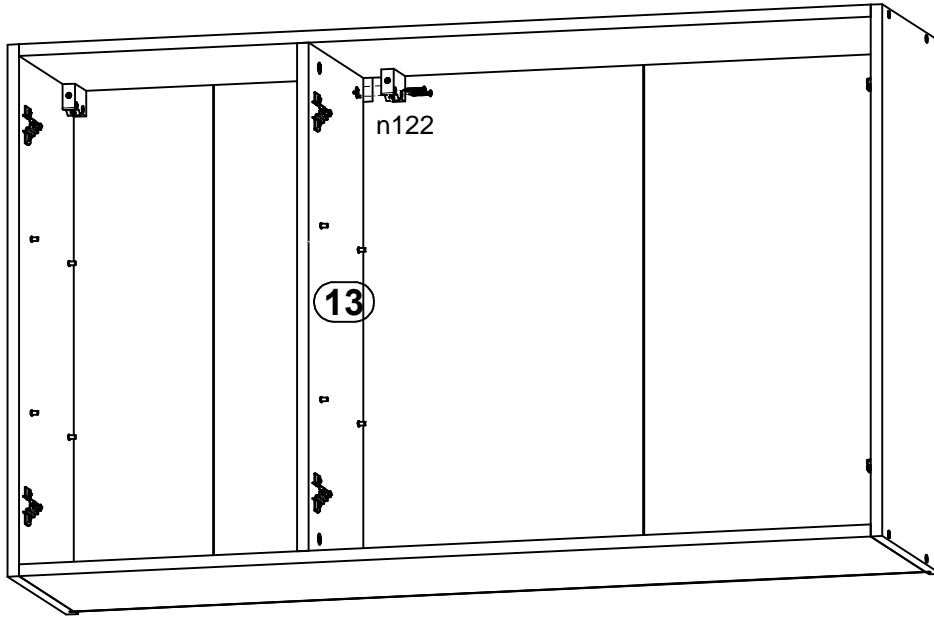
12



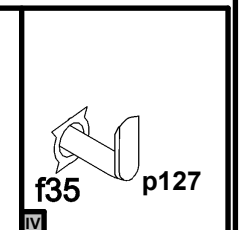
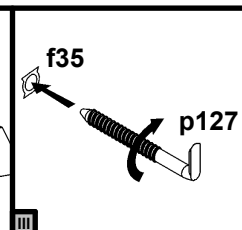
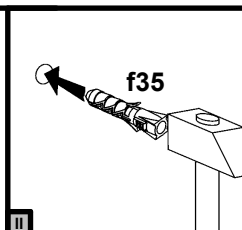
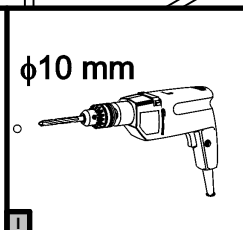
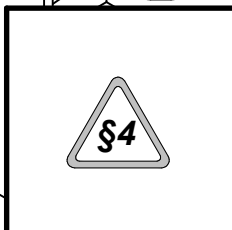
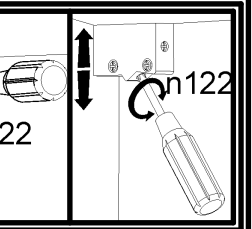
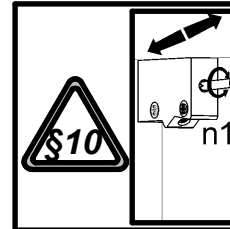
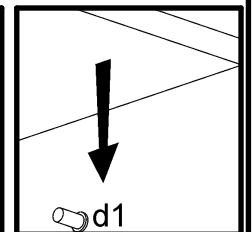
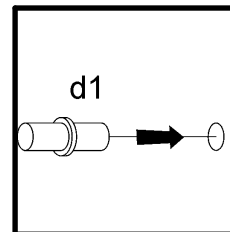
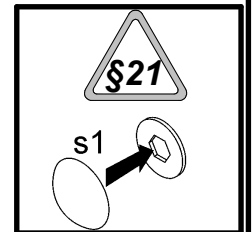
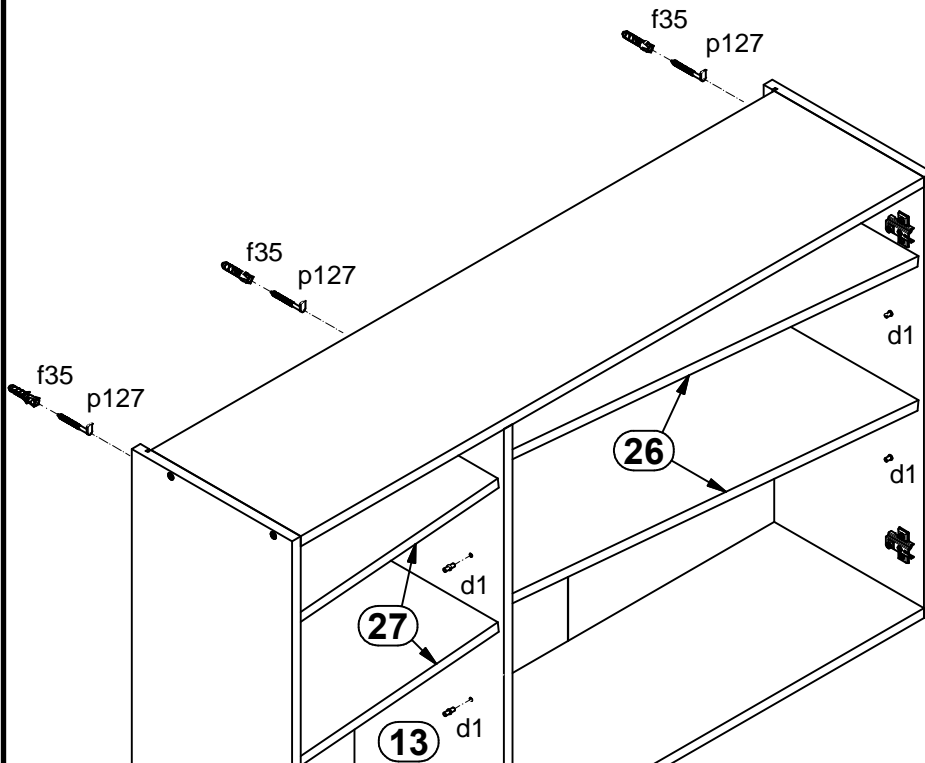
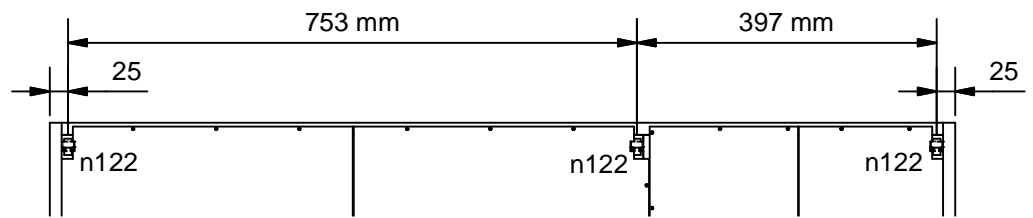
13



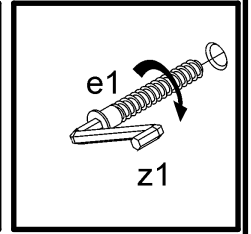
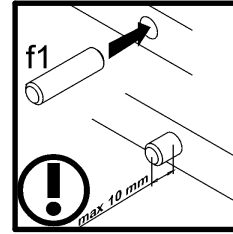
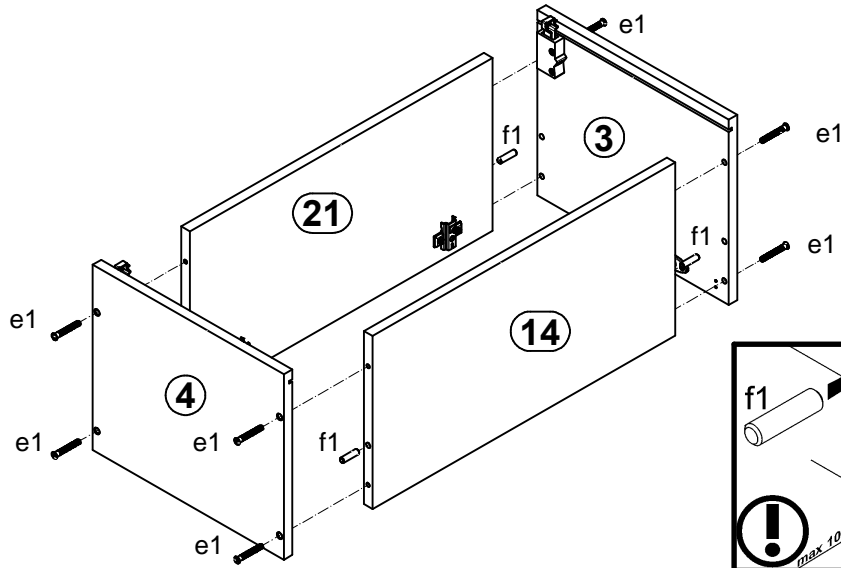
14



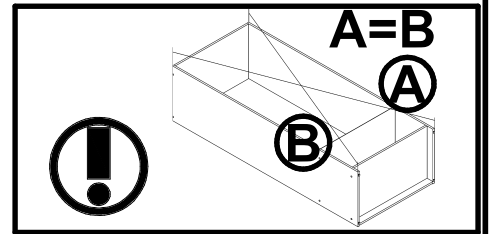
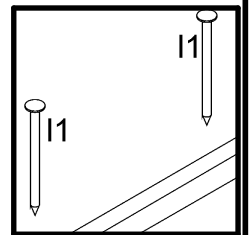
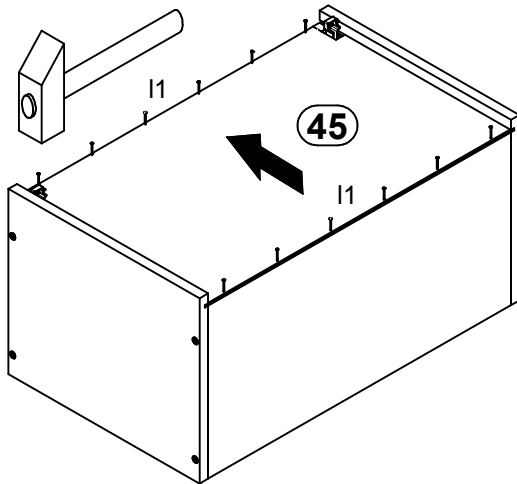
15



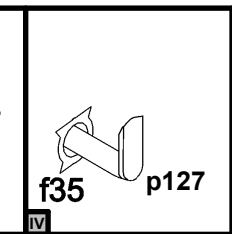
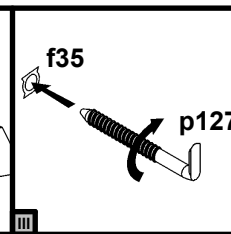
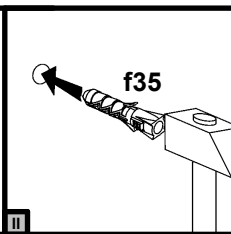
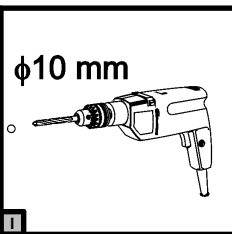
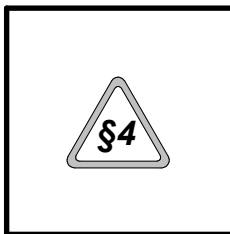
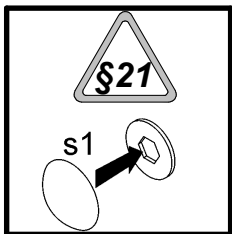
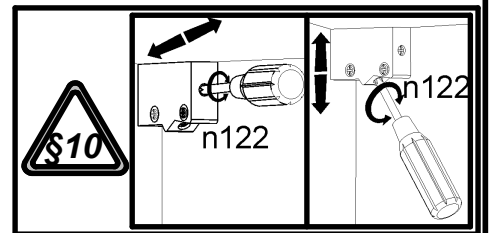
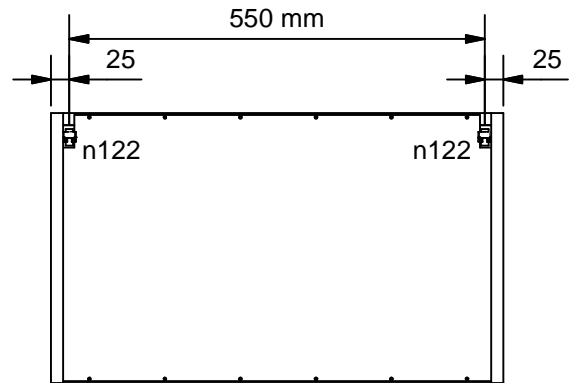
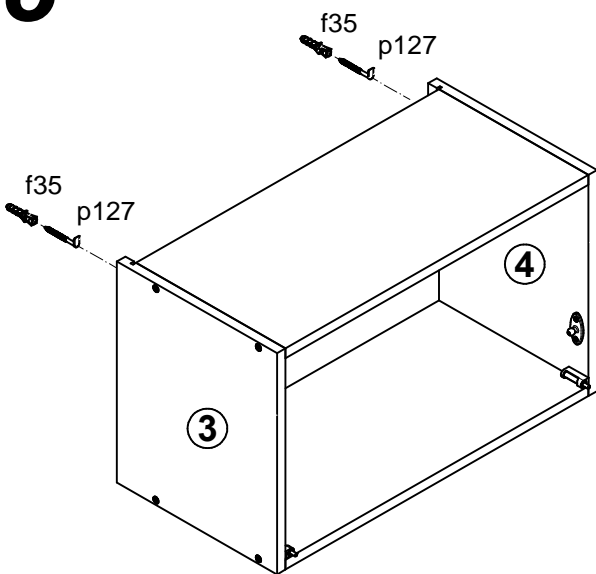
16



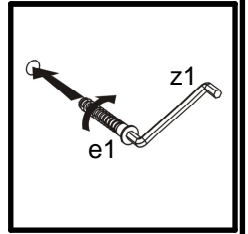
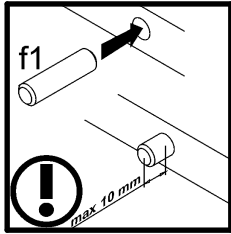
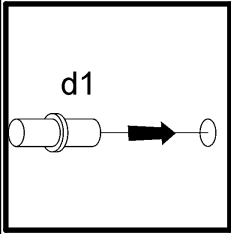
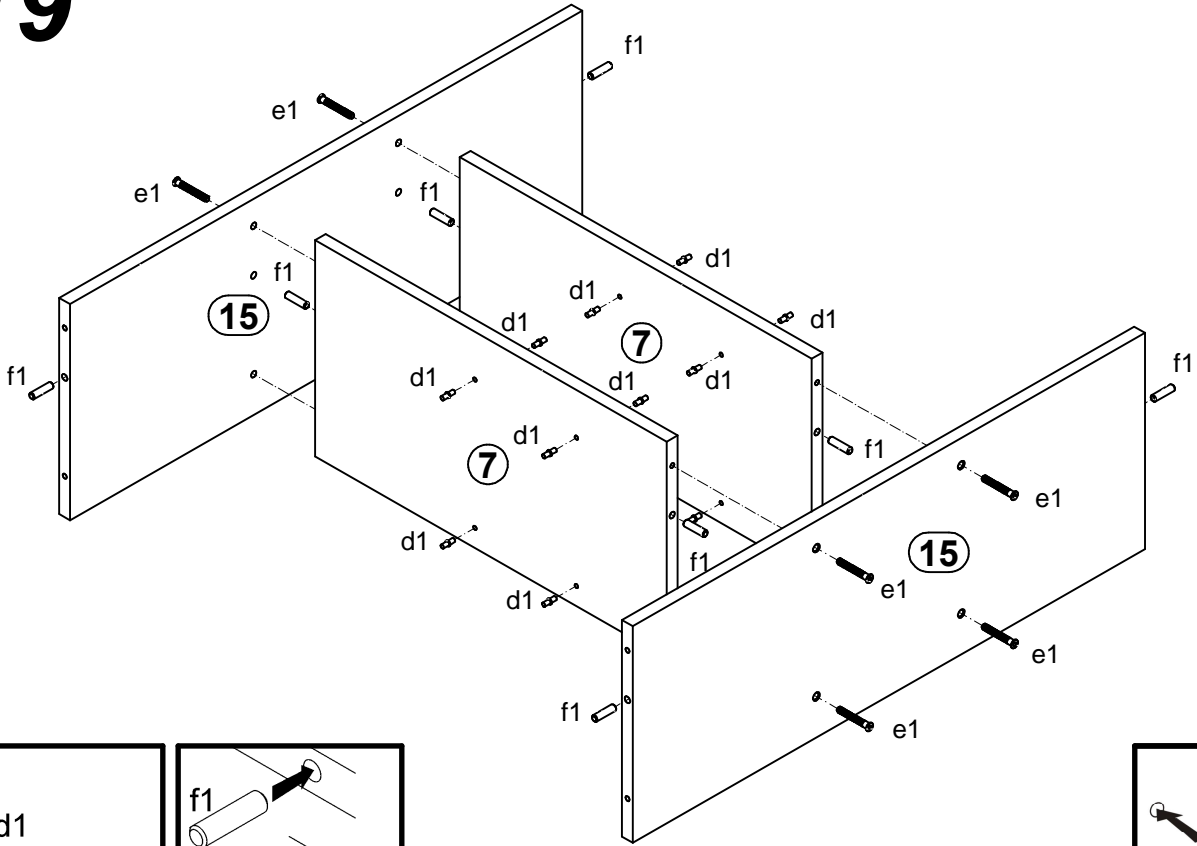
17



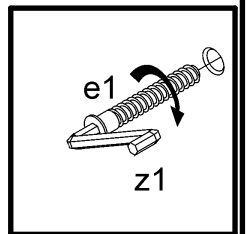
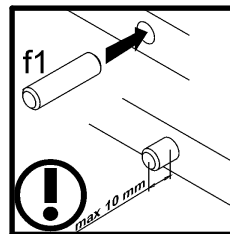
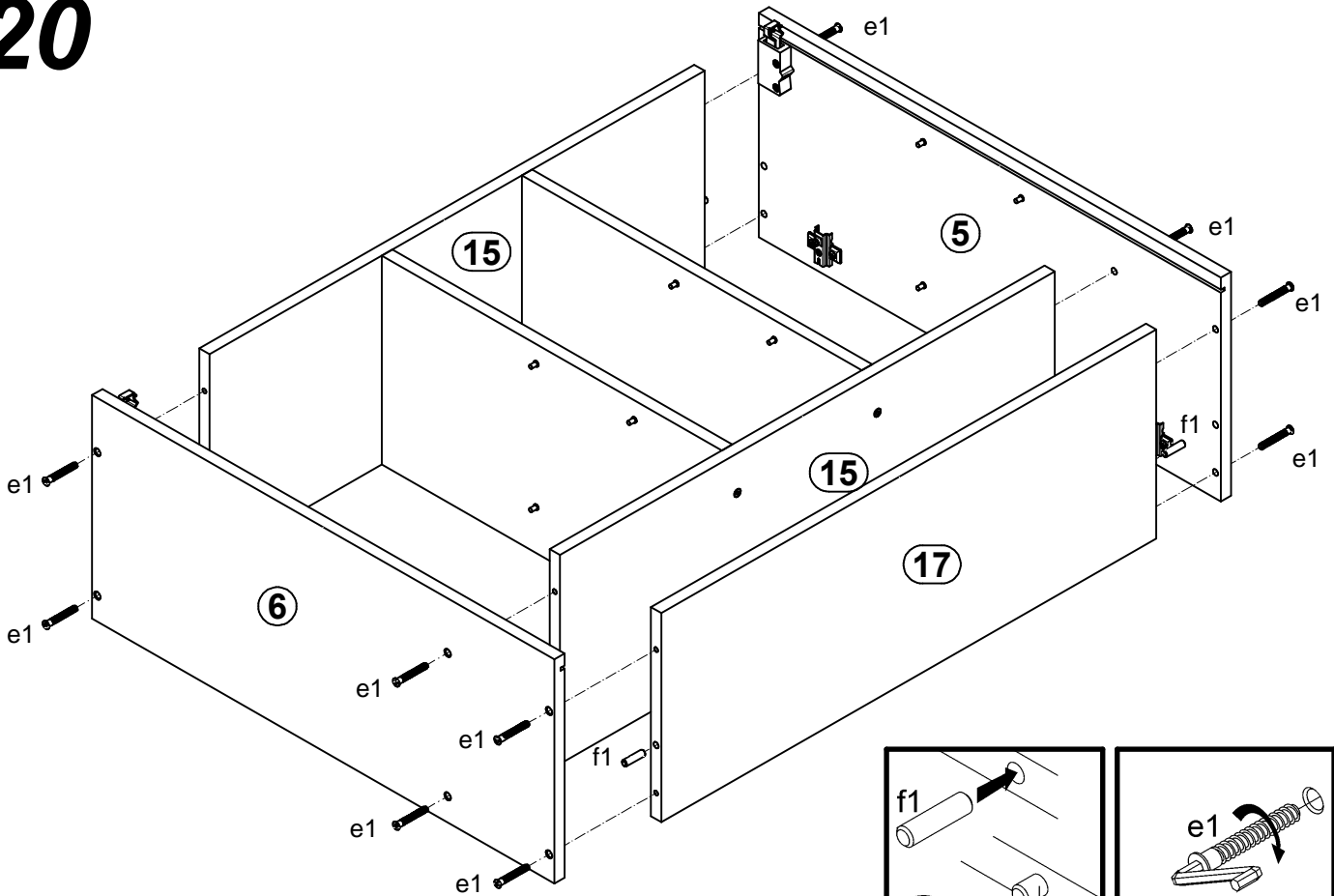
18



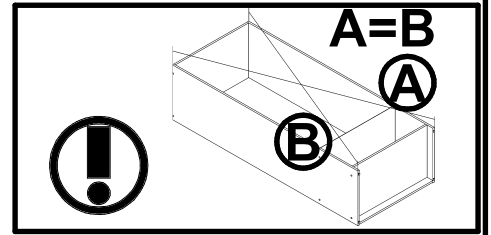
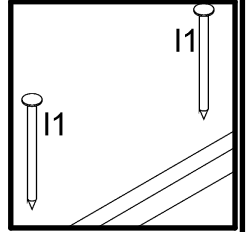
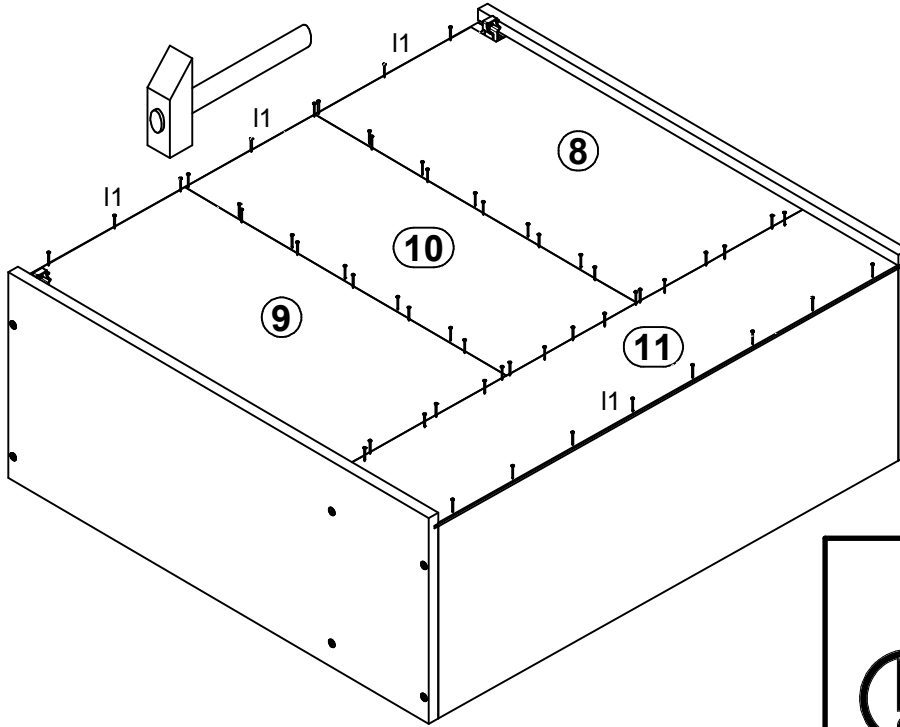
19



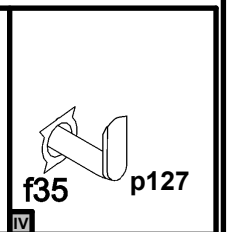
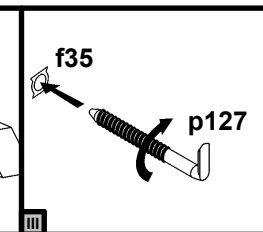
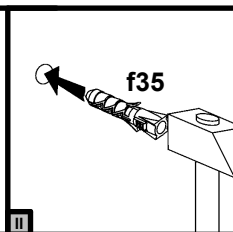
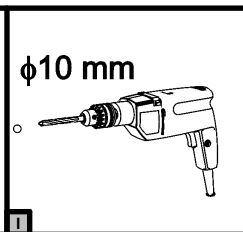
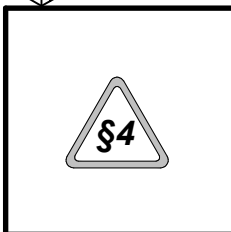
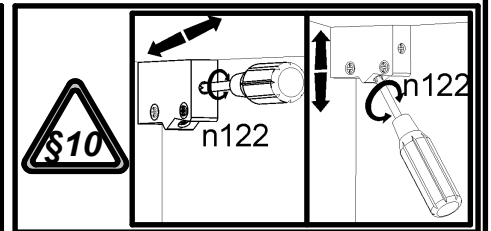
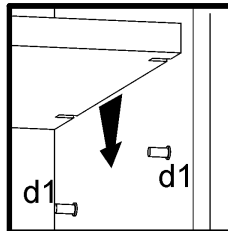
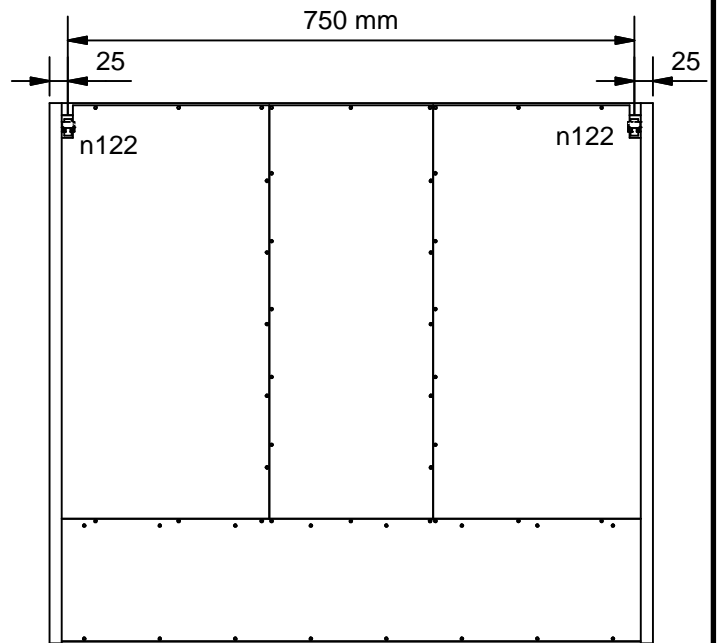
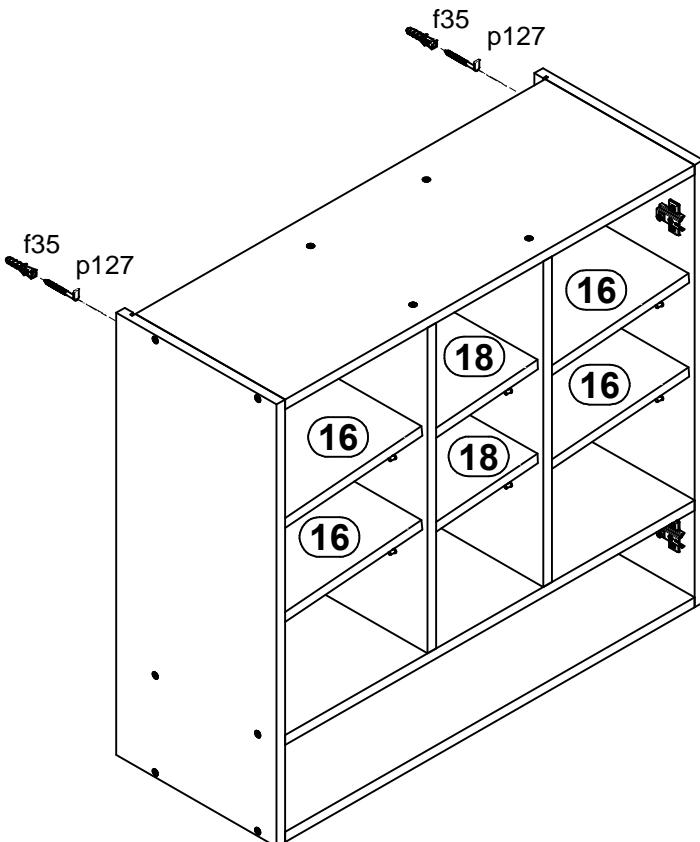
20



21



22



23

