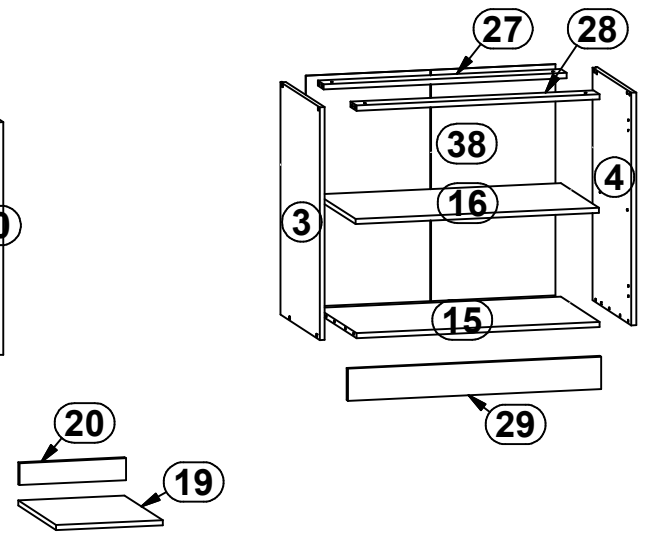
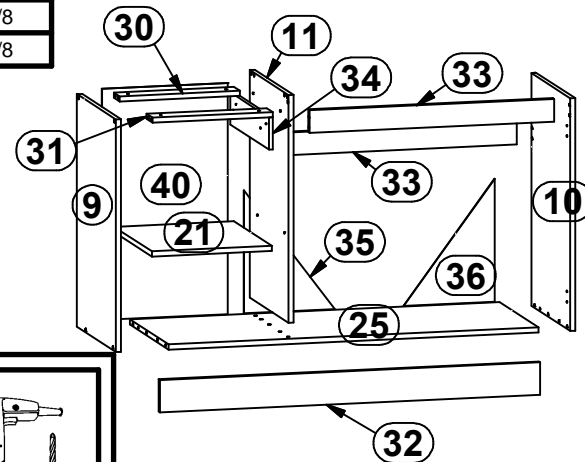
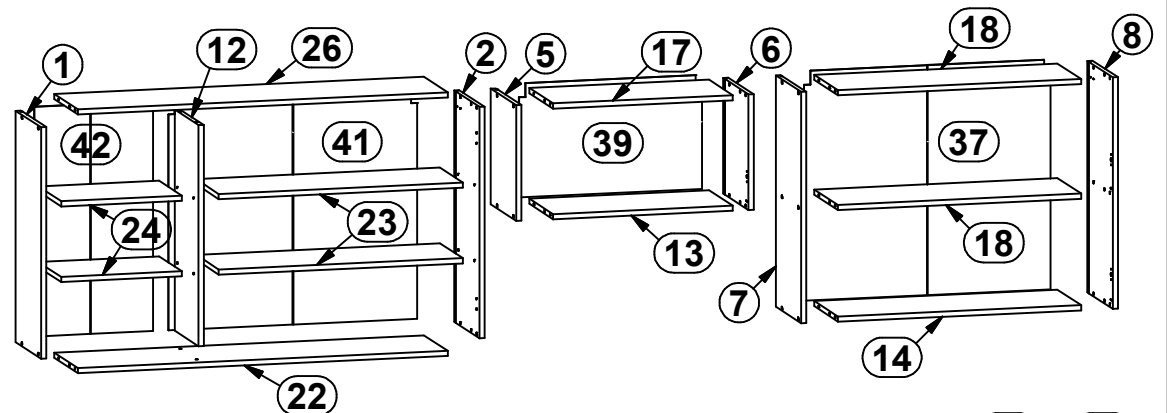
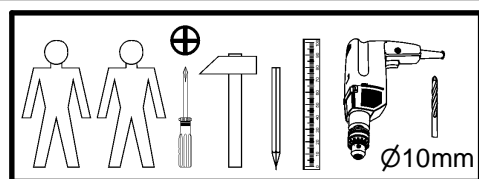


# FAMILY LINE

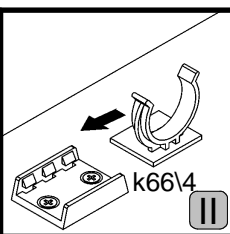
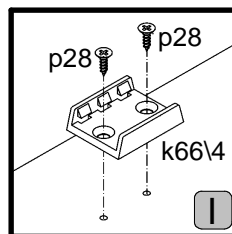
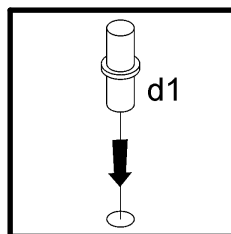
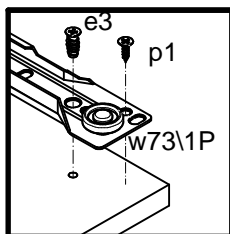
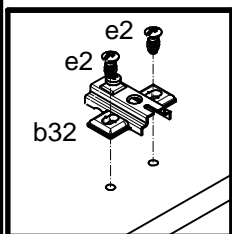
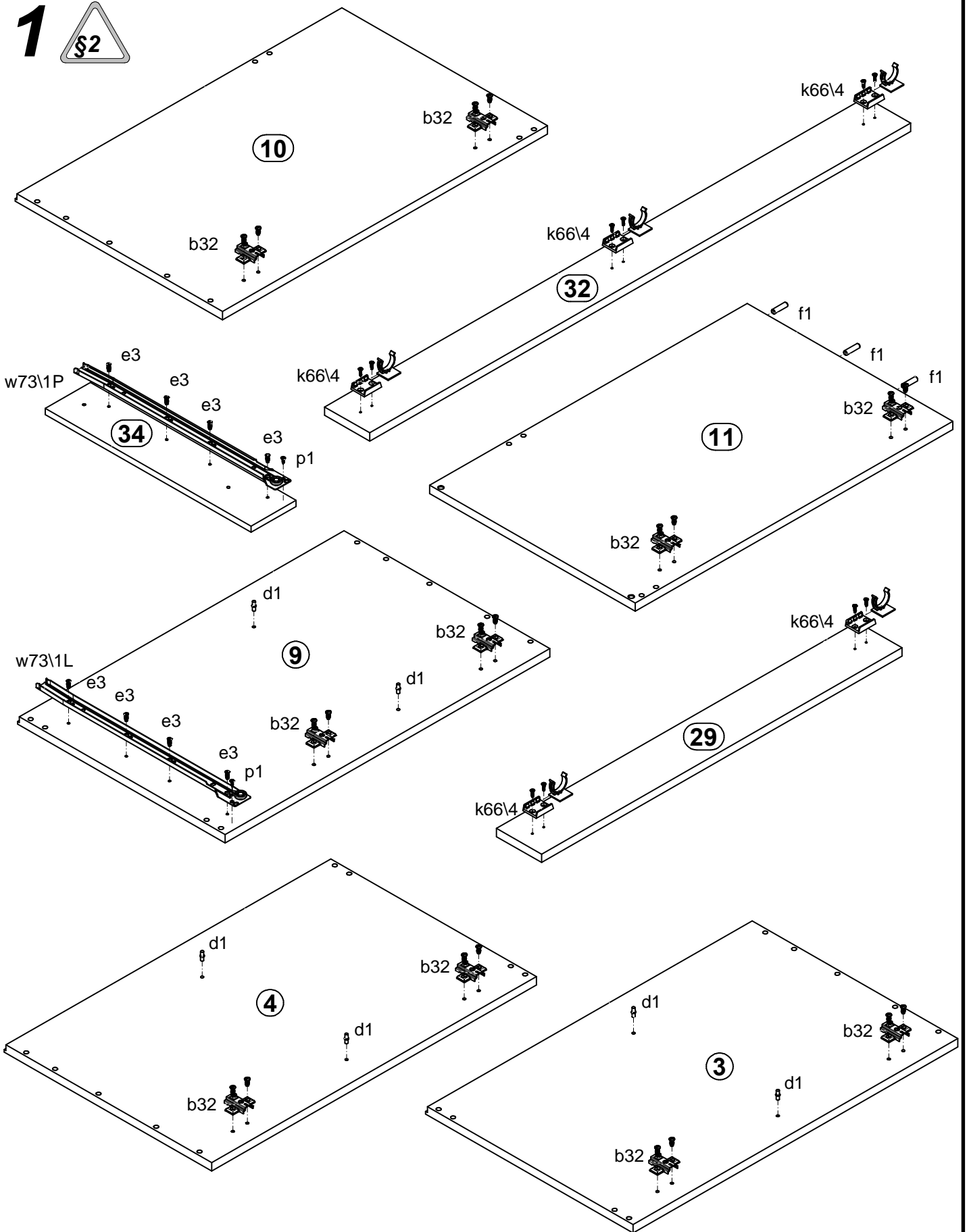
# K10-260 MODEL N L

| A  | B       | C    | D   | A   | B  | C       | D    |     |     |
|----|---------|------|-----|-----|----|---------|------|-----|-----|
| 1  | K10-101 | 716  | 300 | 3/8 | 29 | K10-432 | 799  | 100 | 2/8 |
| 2  | K10-102 | 716  | 300 | 3/8 | 30 | K10-464 | 379  | 70  | 2/8 |
| 3  | K10-103 | 720  | 460 | 1/8 | 31 | K10-465 | 379  | 70  | 2/8 |
| 4  | K10-104 | 720  | 460 | 1/8 | 32 | K10-466 | 1199 | 100 | 2/8 |
| 5  | K10-111 | 358  | 300 | 3/8 | 33 | K10-467 | 772  | 70  | 2/8 |
| 6  | K10-112 | 358  | 300 | 3/8 | 34 | K10-711 | 100  | 456 | 2/8 |
| 7  | K10-159 | 716  | 300 | 3/8 | 35 | K10-917 | 380  | 287 | 1/8 |
| 8  | K10-160 | 716  | 300 | 3/8 | 36 | K10-918 | 380  | 287 | 1/8 |
| 9  | K10-115 | 720  | 460 | 1/8 | 37 | K10-925 | 711  | 777 | 1/8 |
| 10 | K10-166 | 720  | 460 | 1/8 | 38 | K10-926 | 715  | 787 | 1/8 |
| 11 | K10-167 | 704  | 456 | 1/8 | 39 | K10-929 | 353  | 577 | 1/8 |
| 12 | K10-168 | 684  | 280 | 4/8 | 40 | K10-944 | 715  | 397 | 1/8 |
| 13 | K10-341 | 567  | 280 | 4/8 | 41 | K10-945 | 711  | 783 | 1/8 |
| 14 | K10-345 | 767  | 280 | 4/8 | 42 | K10-947 | 711  | 394 | 1/8 |
| 15 | K10-350 | 767  | 456 | 2/8 |    |         |      |     |     |
| 16 | K10-351 | 767  | 446 | 2/8 |    |         |      |     |     |
| 17 | K10-355 | 567  | 280 | 4/8 |    |         |      |     |     |
| 18 | K10-356 | 767  | 280 | 4/8 |    |         |      |     |     |
| 19 | K10-372 | 336  | 448 | 2/8 |    |         |      |     |     |
| 20 | K10-373 | 336  | 68  | 2/8 |    |         |      |     |     |
| 21 | K10-388 | 379  | 446 | 2/8 |    |         |      |     |     |
| 22 | K10-389 | 1167 | 280 | 3/8 |    |         |      |     |     |
| 23 | K10-390 | 770  | 270 | 4/8 |    |         |      |     |     |
| 24 | K10-391 | 381  | 270 | 3/8 |    |         |      |     |     |
| 25 | K10-392 | 1167 | 456 | 2/8 |    |         |      |     |     |
| 26 | K10-393 | 1167 | 280 | 3/8 |    |         |      |     |     |
| 27 | K10-430 | 767  | 70  | 4/8 |    |         |      |     |     |
| 28 | K10-431 | 767  | 70  | 2/8 |    |         |      |     |     |

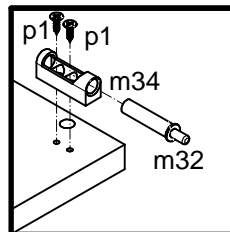
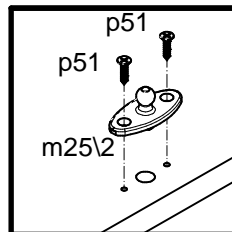
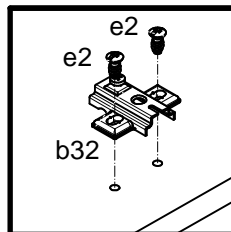
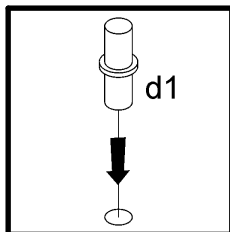
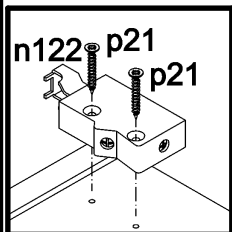
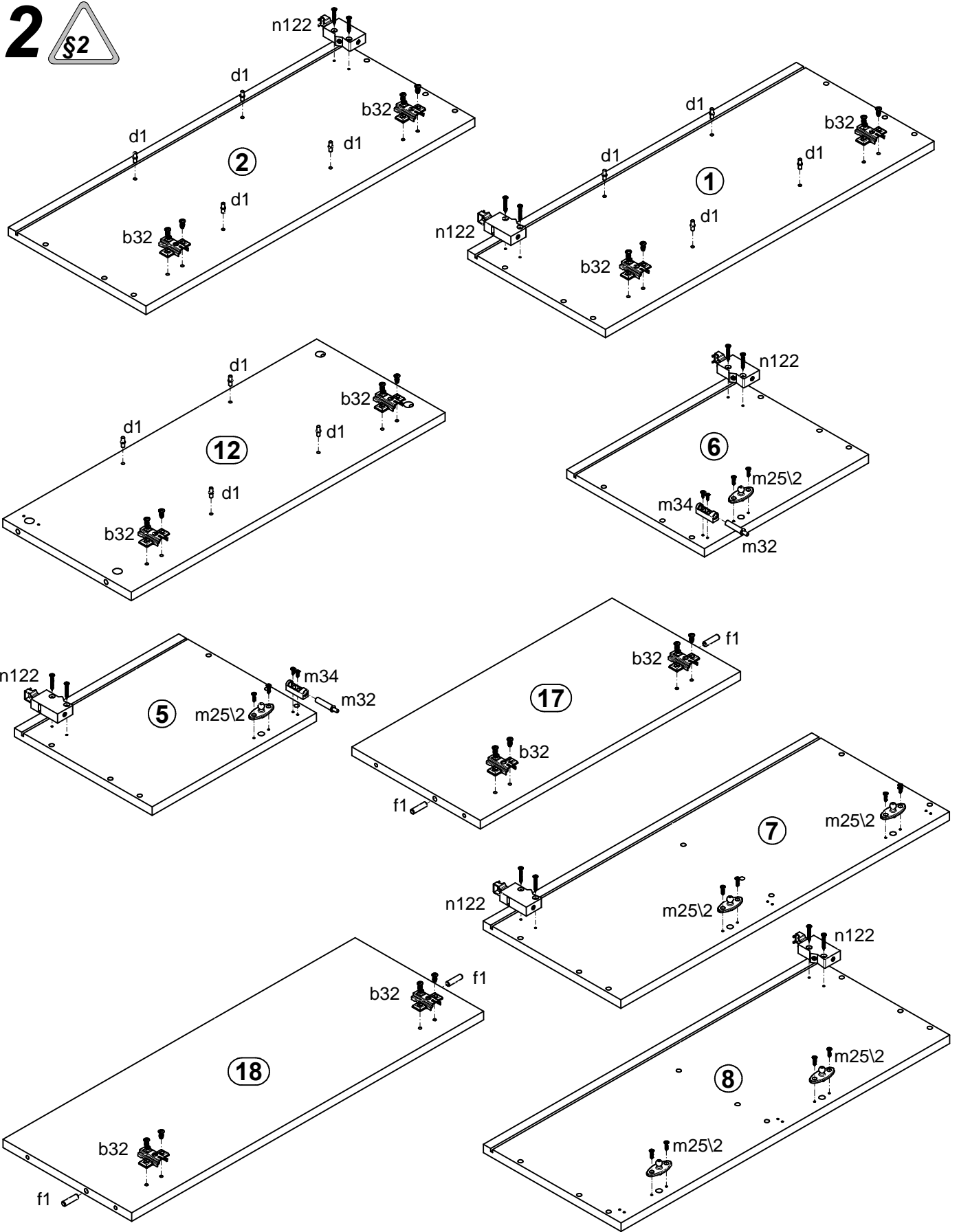


|                              |                            |                              |                            |                             |                               |                           |                           |                            |                                |                                  |                             |                            |
|------------------------------|----------------------------|------------------------------|----------------------------|-----------------------------|-------------------------------|---------------------------|---------------------------|----------------------------|--------------------------------|----------------------------------|-----------------------------|----------------------------|
| 22x<br><br>a83               | 22x<br><br>b32             | 24x<br><br>φ5x17 mm<br>d1    | 50x<br><br>φ7x50 mm<br>e1  | 44x<br><br>φ6.3x13 mm<br>e2 | 8x<br><br>φ6x13 mm<br>e3      | 2x<br><br>φ6x22 mm<br>e31 | 41x<br><br>φ8x30 mm<br>f1 | 7x<br><br>φ10x50 mm<br>f35 | 20x<br><br>M4x12 mm<br>j451    | 10x<br><br>j452                  | 10x<br><br>k6611            | 10x<br><br>k6612           |
| 10x<br><br>k6613             | 5x<br><br>k6614            | 150x<br><br>l1               | 6x<br><br>m2512            | 6x<br><br>50 N<br>m2517     | 6x<br><br>m2519               | 6x<br><br>m32             | 6x<br><br>m34             | 7x<br><br>n122             | 2x<br><br>Ø5/Ø10x1.4 mm<br>o26 | 2x<br><br>Ø6.5/Ø10x5.2 mm<br>o27 | 14x<br><br>φ3,5x13 mm<br>p1 | 22x<br><br>φ4x30 mm<br>p21 |
| 12x<br><br>Ø3,5x13 mm<br>p27 | 10x<br><br>Ø4x13 mm<br>p28 | 68x<br><br>Ø3,5x15 mm<br>p51 | 40x<br><br>Ø4x16 mm<br>p69 | 7x<br><br>Ø6x60 mm<br>p127  | 4x<br><br>Ø15x12 mm #16<br>r1 | 4x<br><br>r42             | 1x<br><br>450 mm<br>w731L | 1x<br><br>450 mm<br>w731P  | 1x<br><br>w7312L               | 1x<br><br>w7312P                 | 2x<br><br>w7313             | 20x<br><br>s1              |
| 3x<br><br>Ø16<br>s2          | 2x<br><br>z1               |                              |                            |                             |                               |                           |                           |                            |                                |                                  |                             |                            |

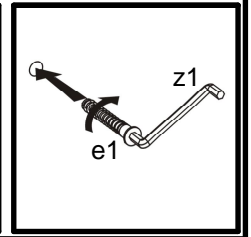
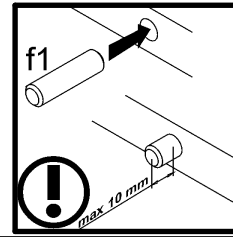
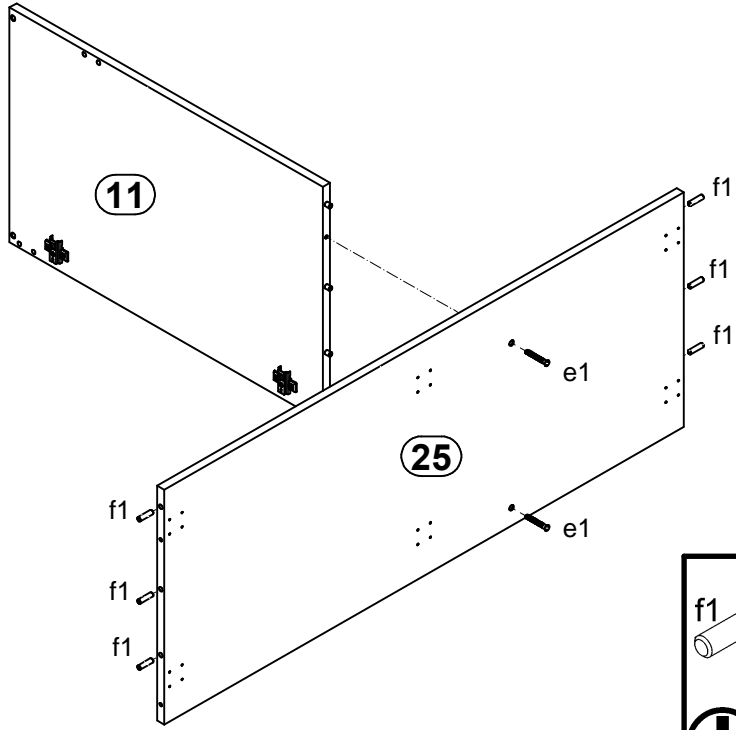
**1** 



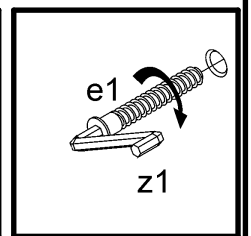
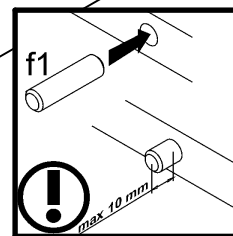
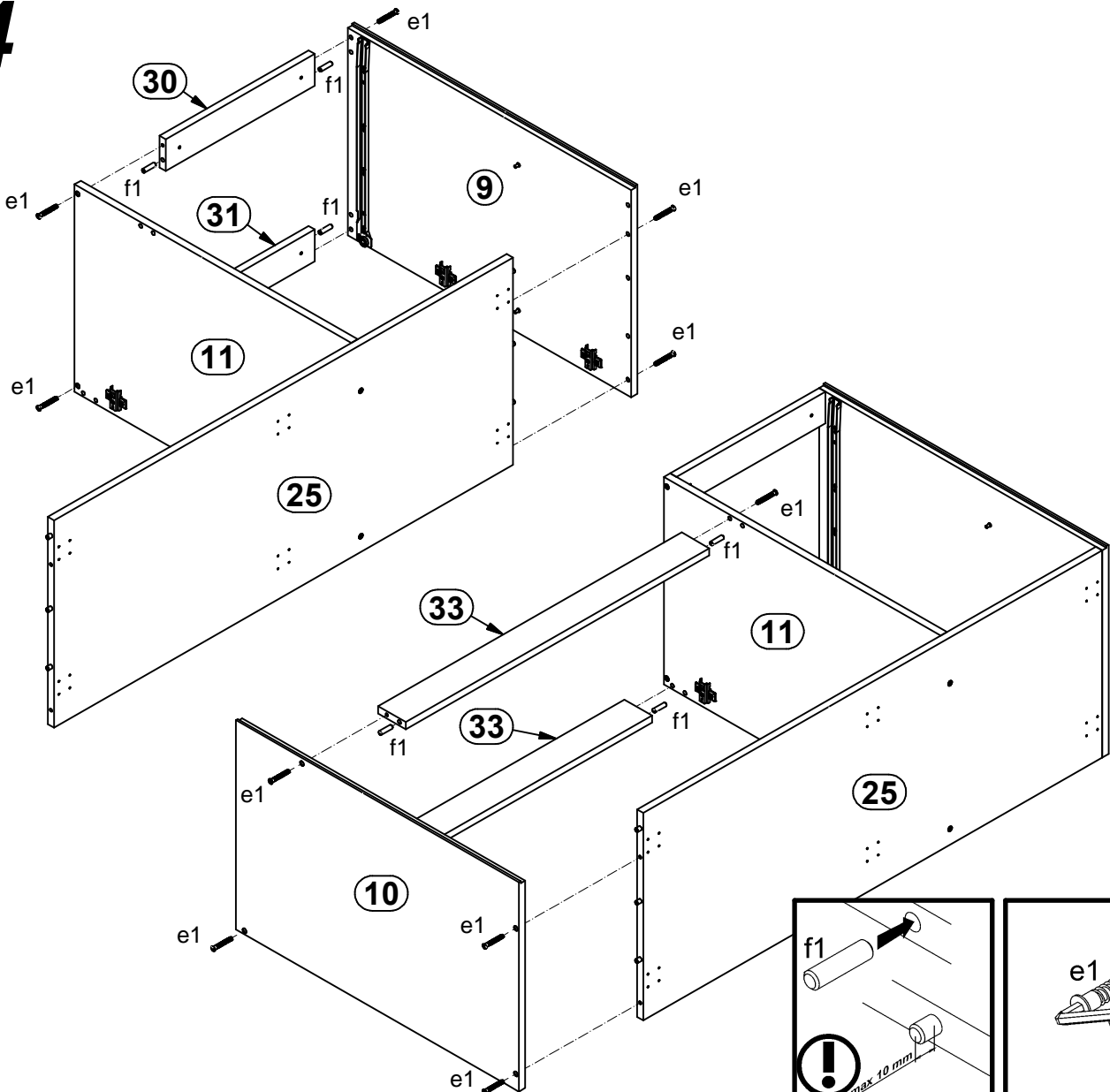
# 2

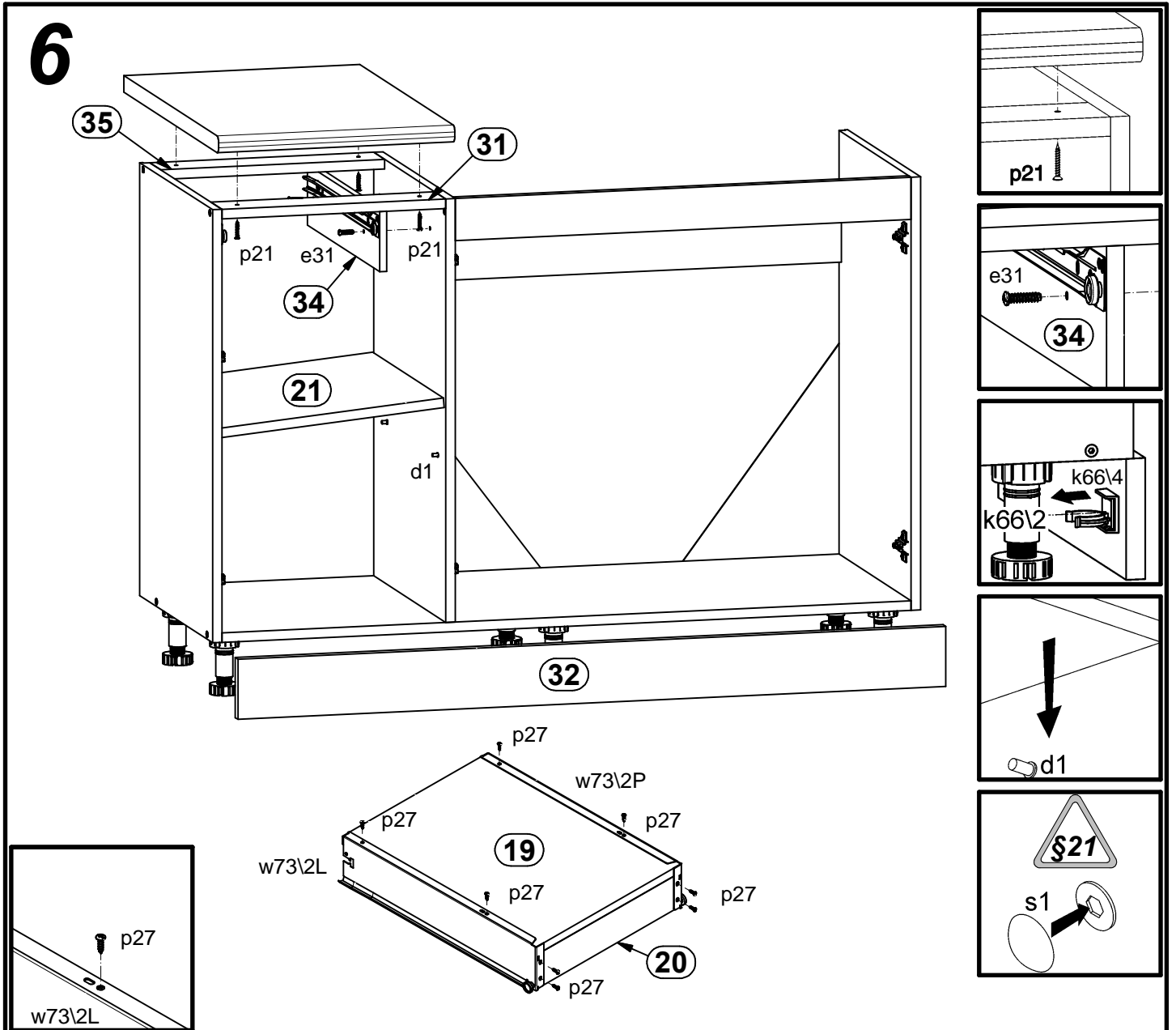
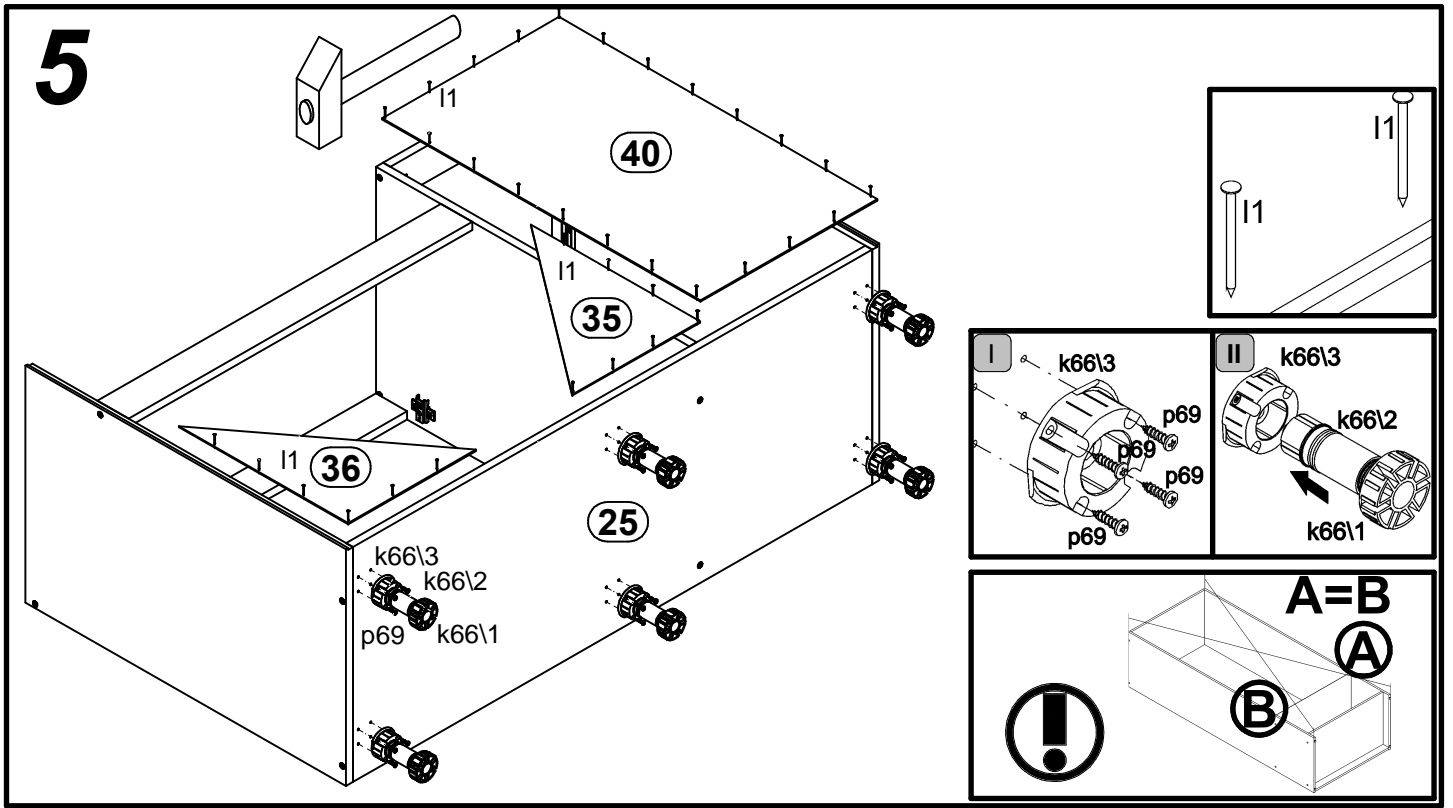


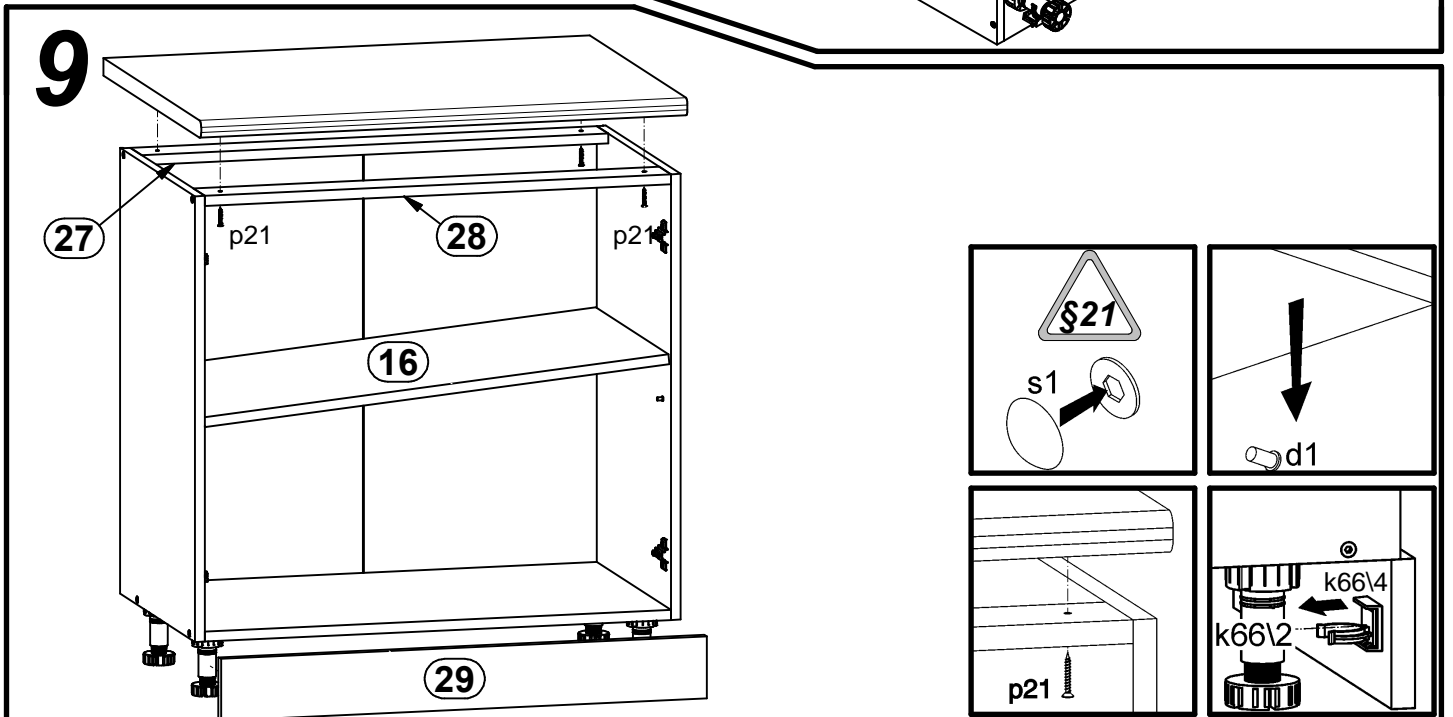
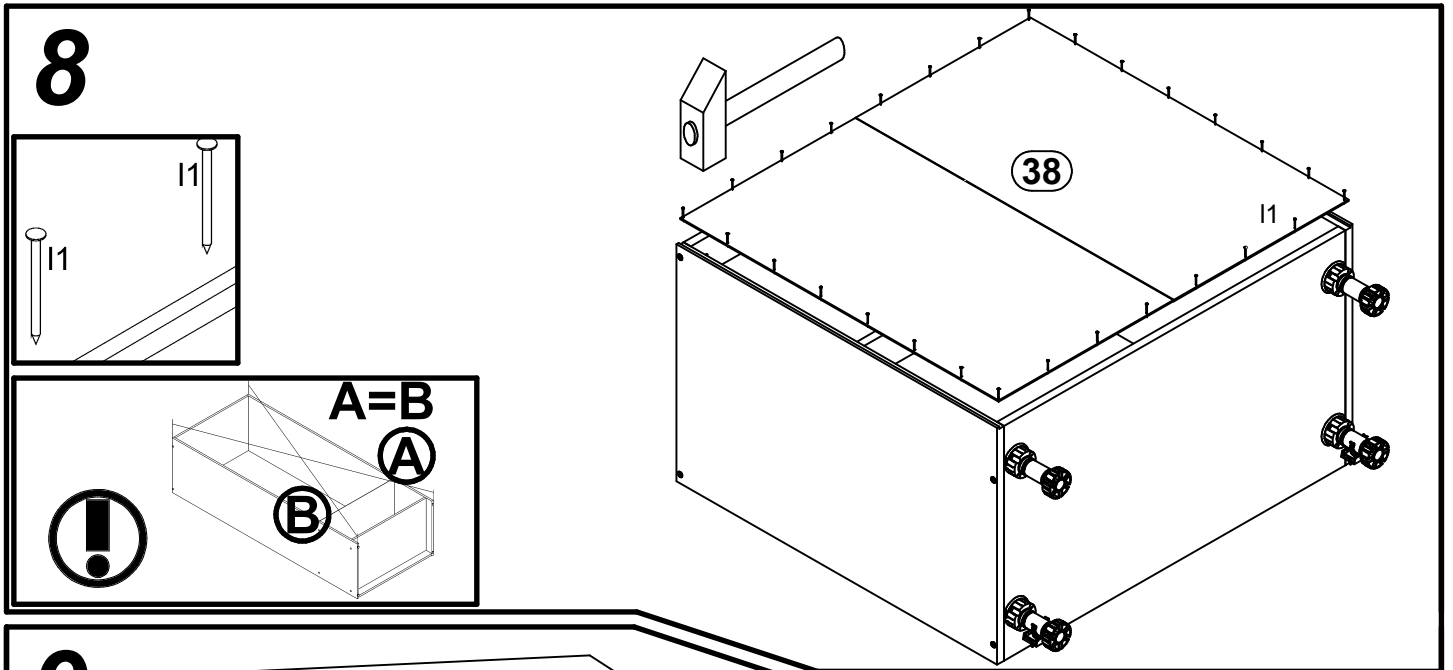
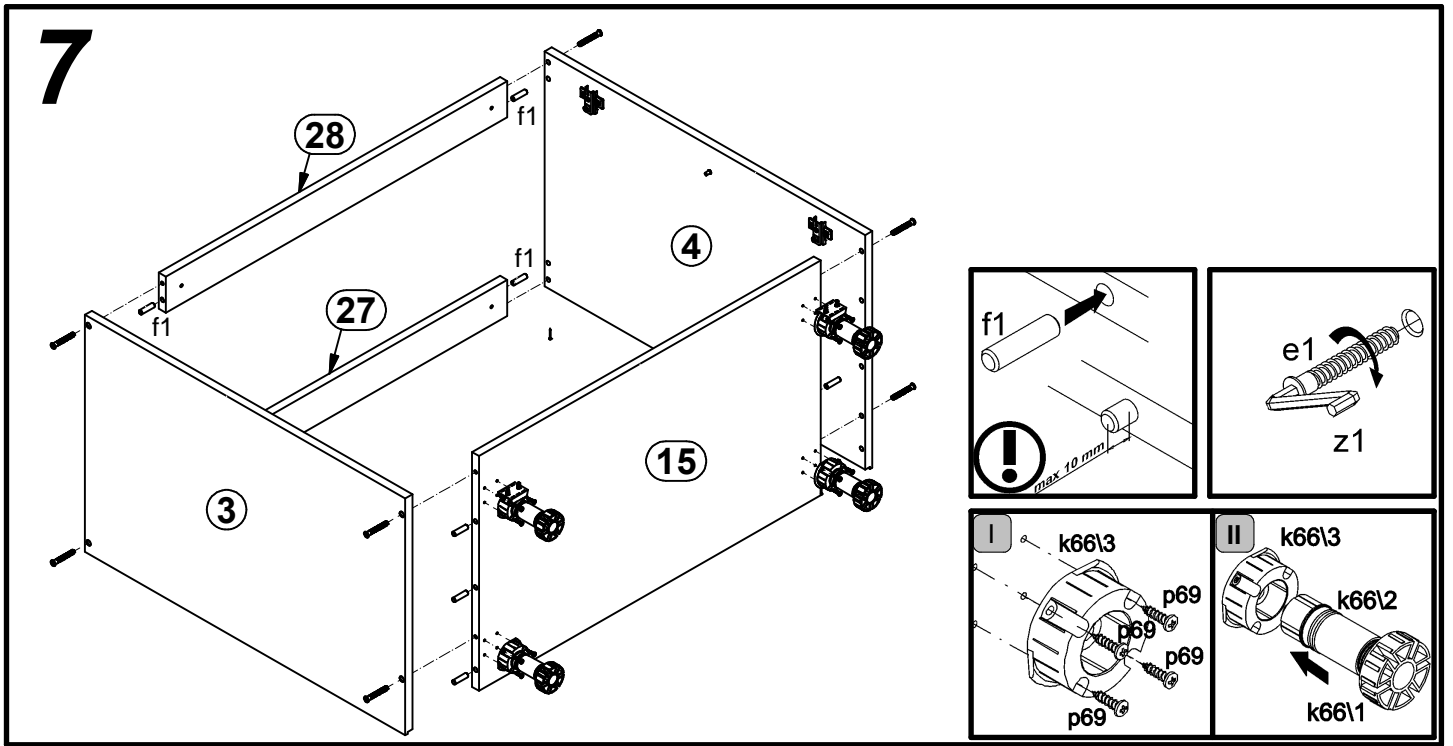
# 3



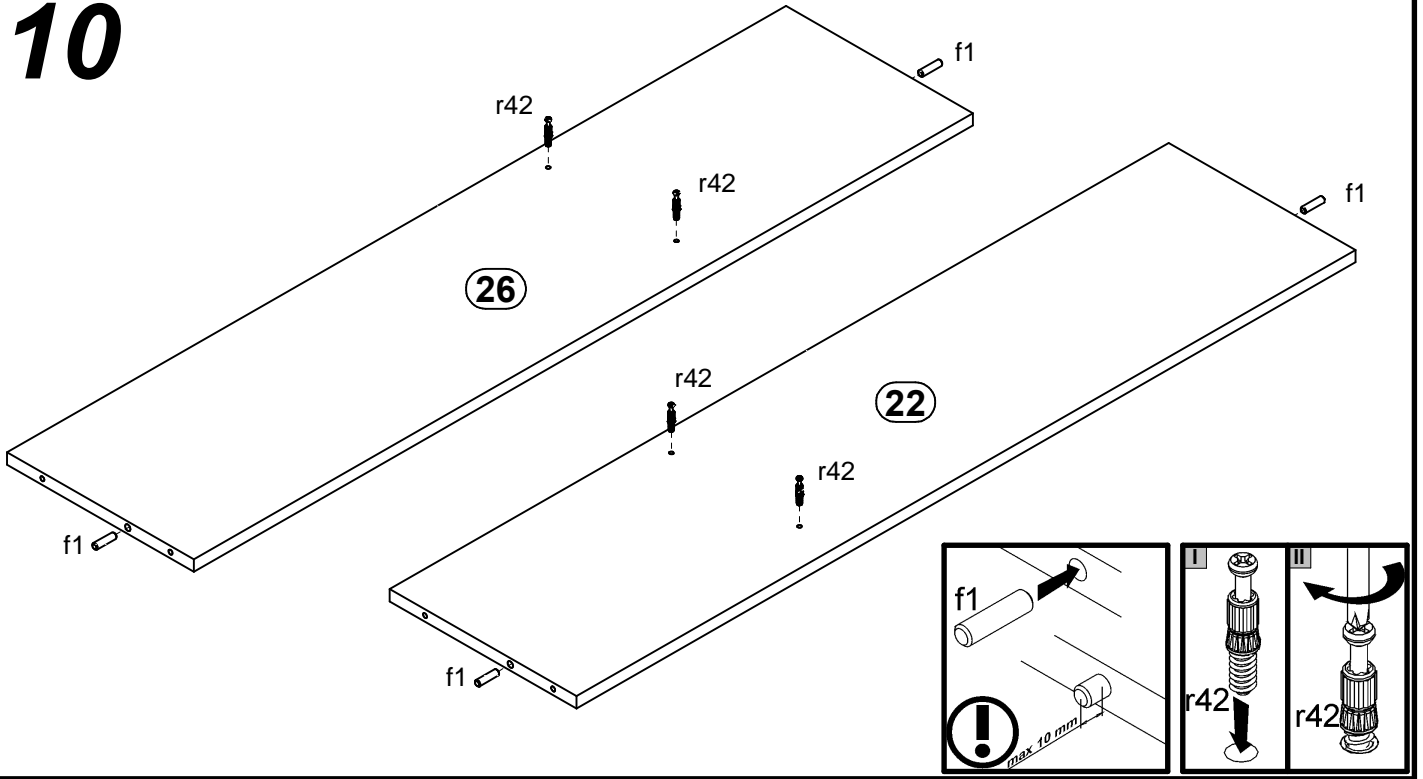
# 4



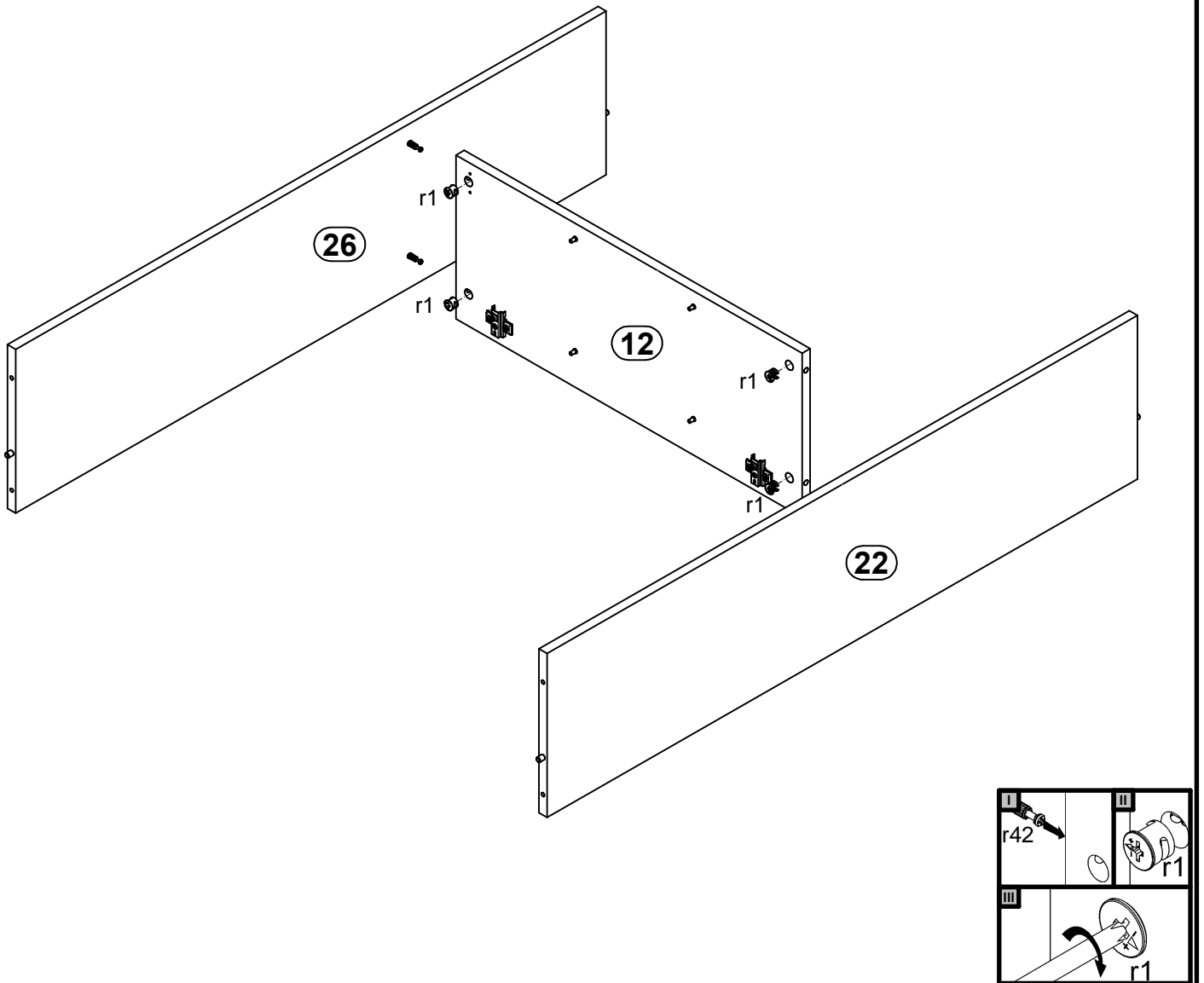




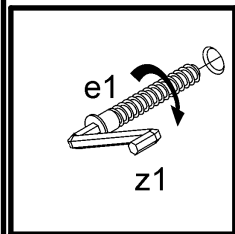
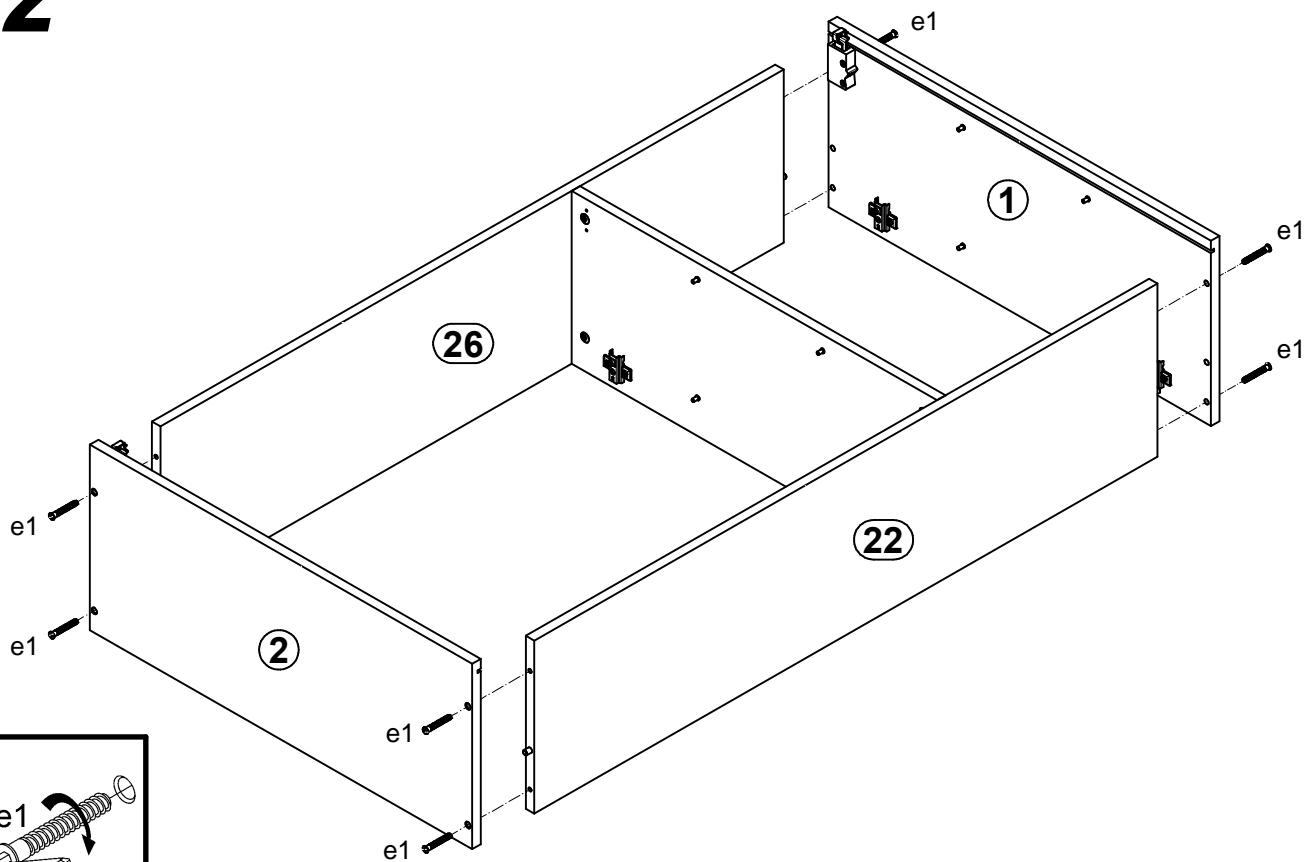
# 10



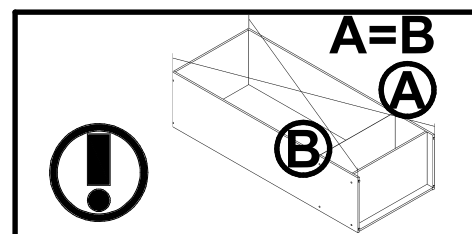
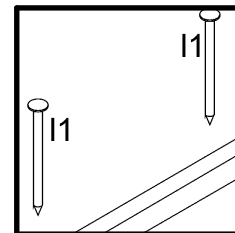
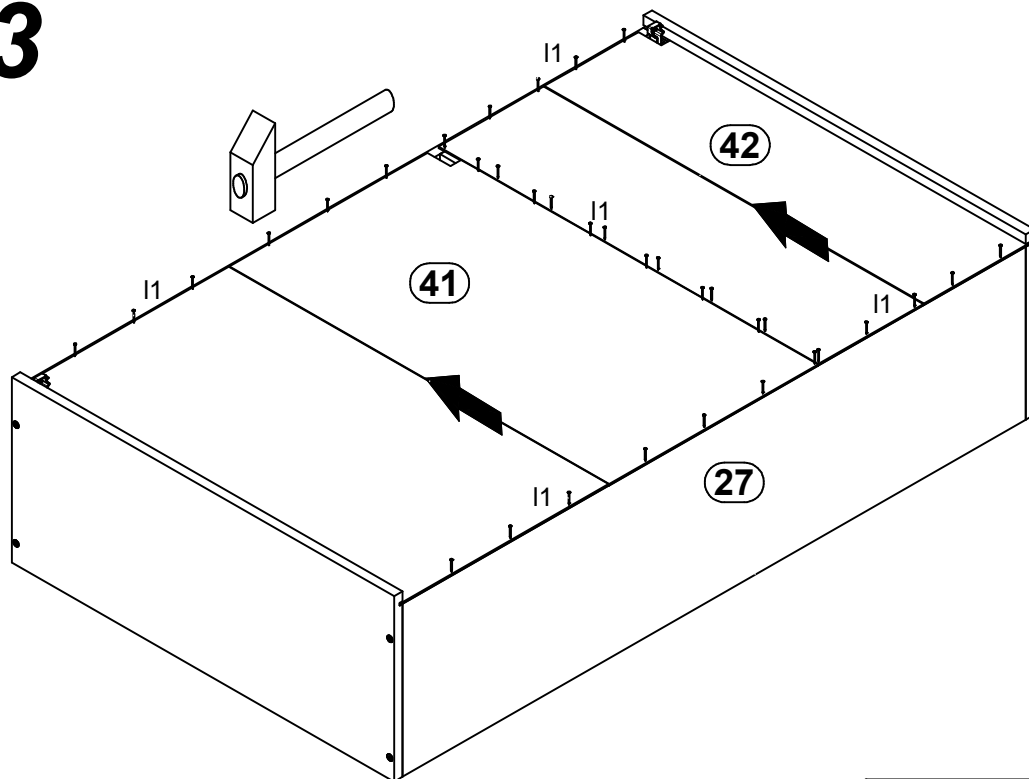
# 11



# 12

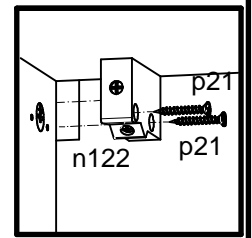
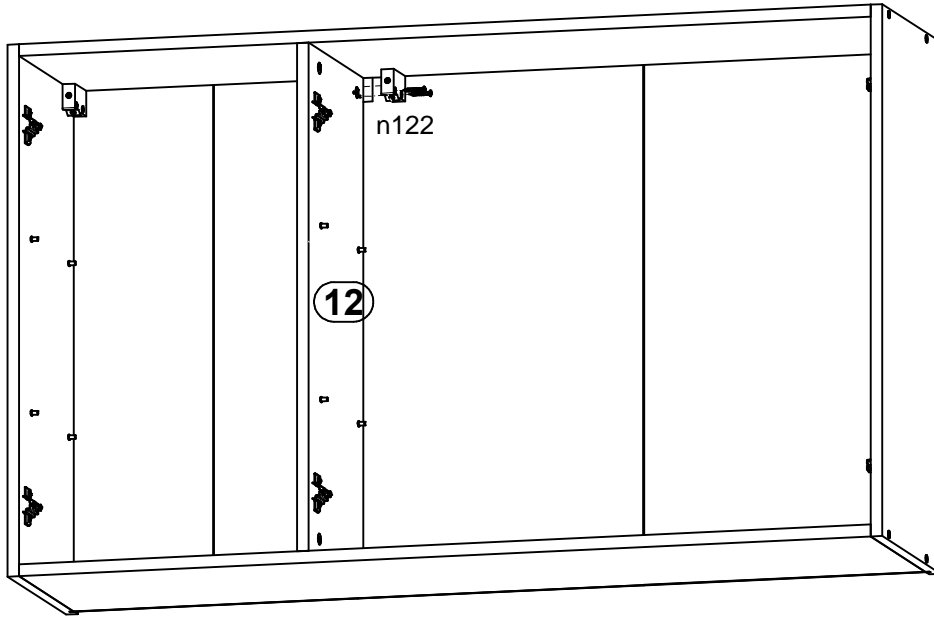


# 13

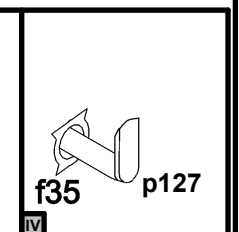
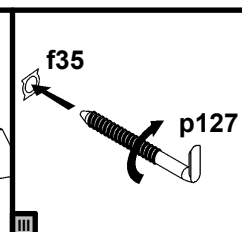
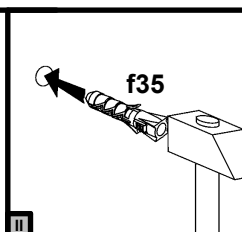
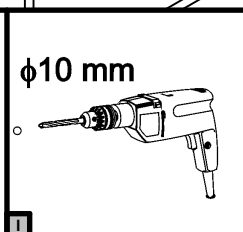
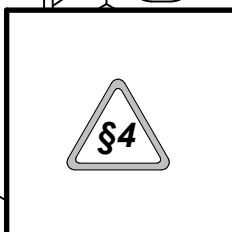
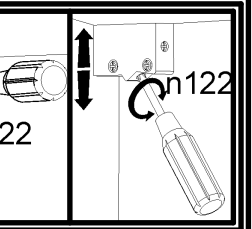
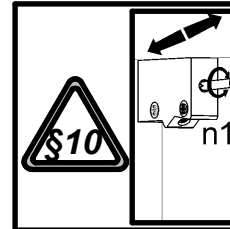
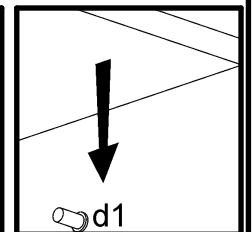
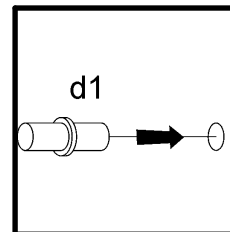
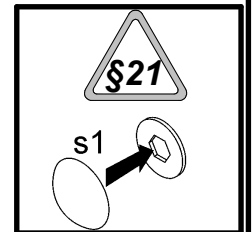
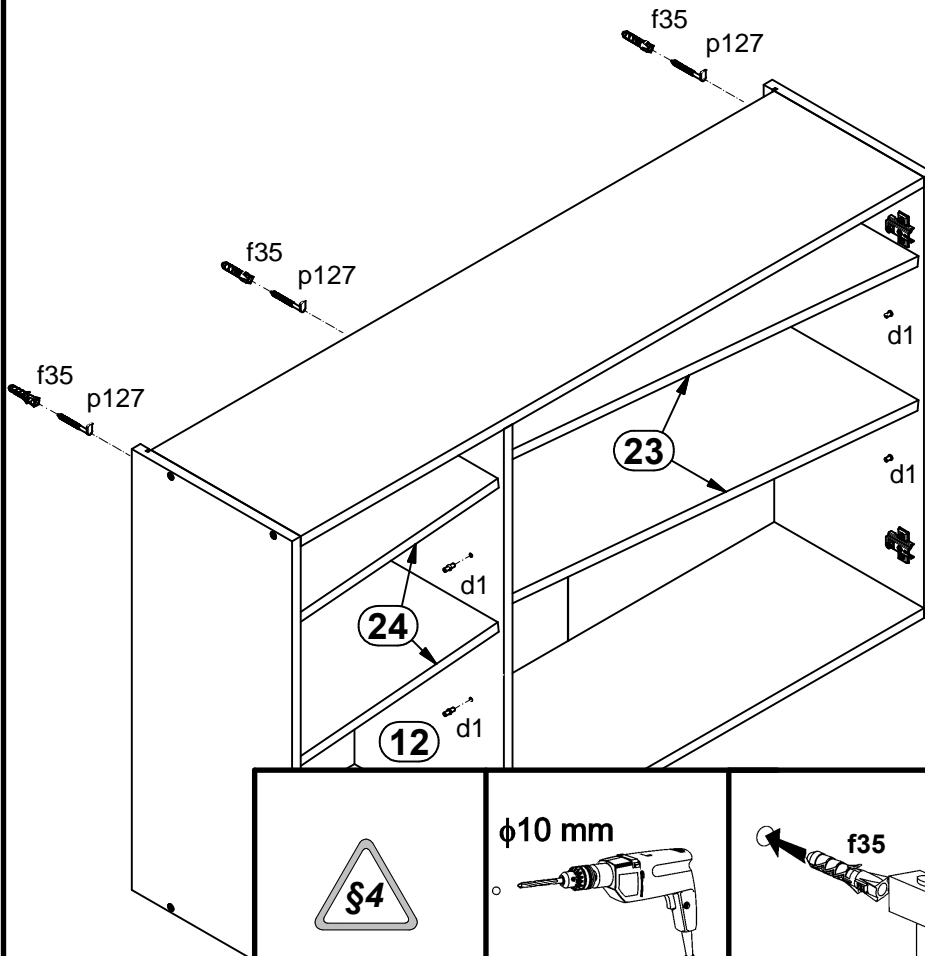
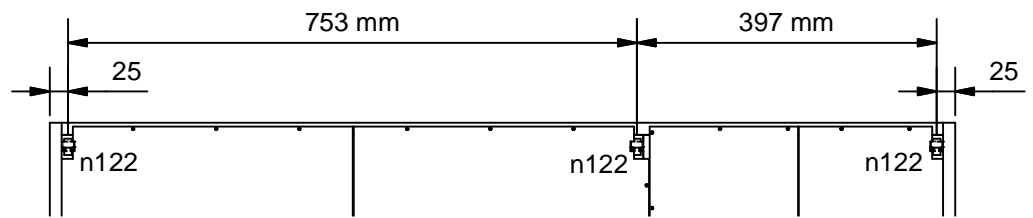




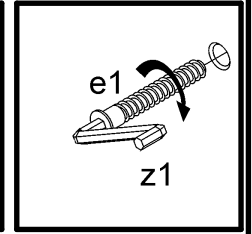
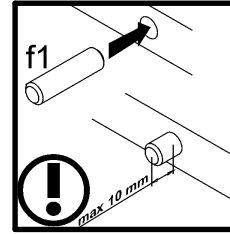
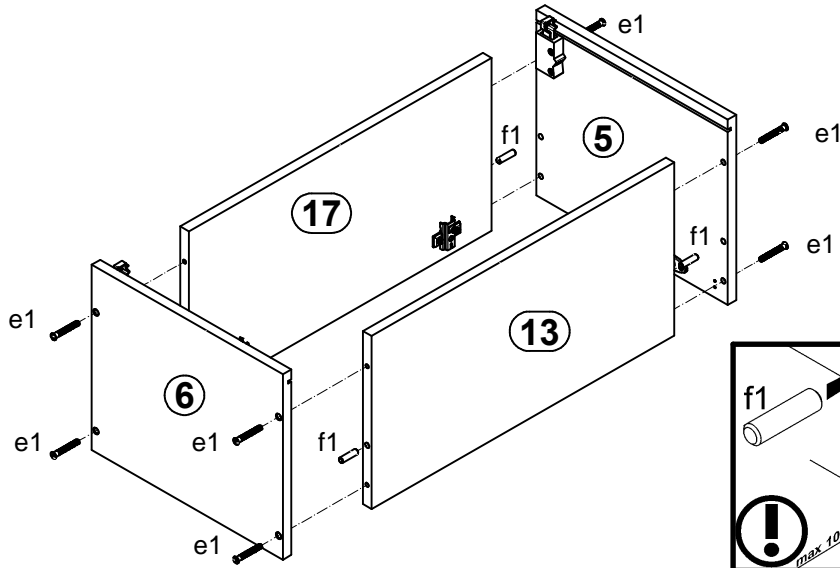
# 14



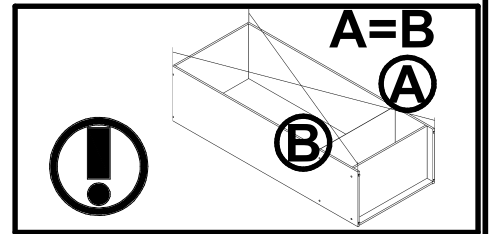
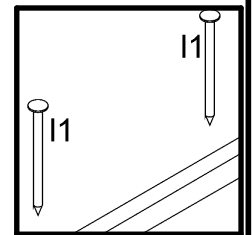
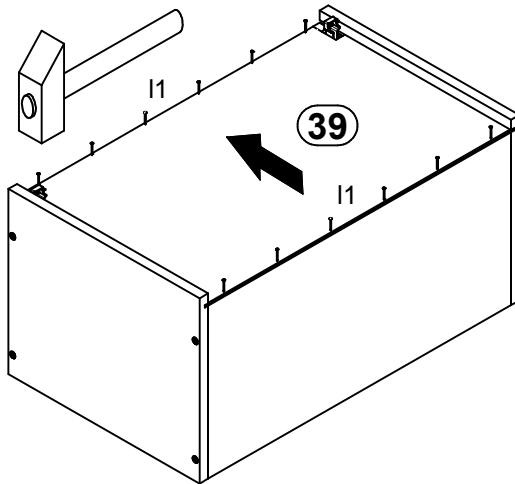
# 15



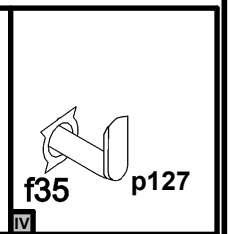
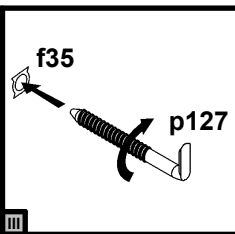
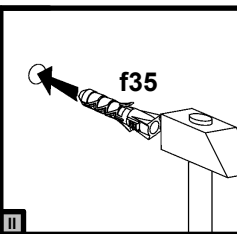
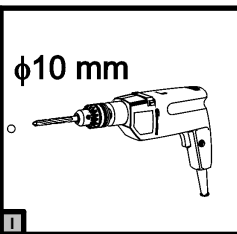
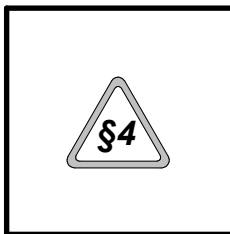
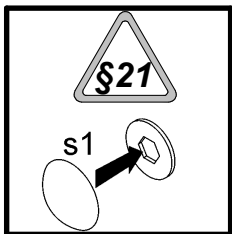
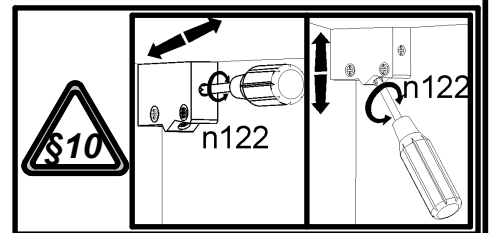
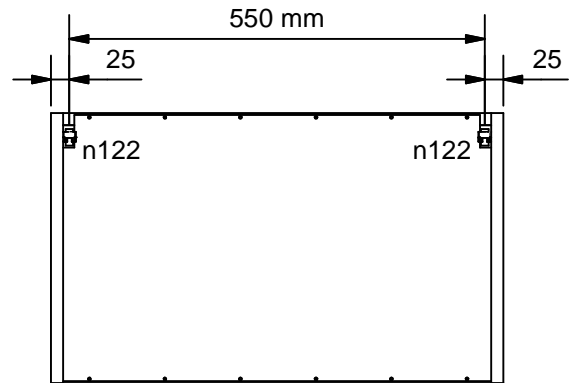
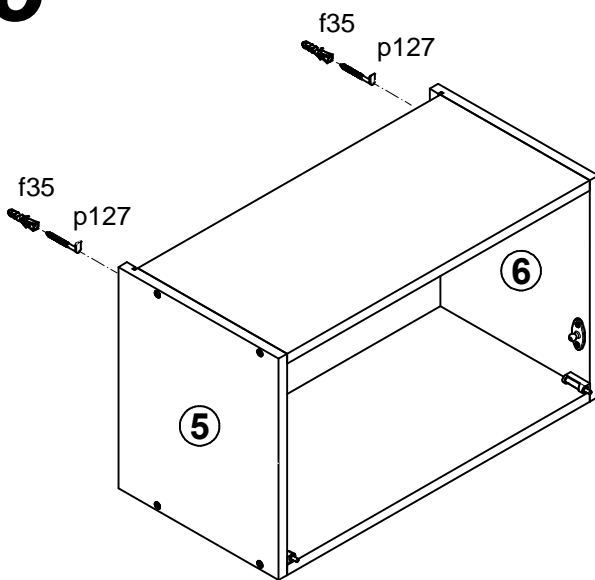
# 16



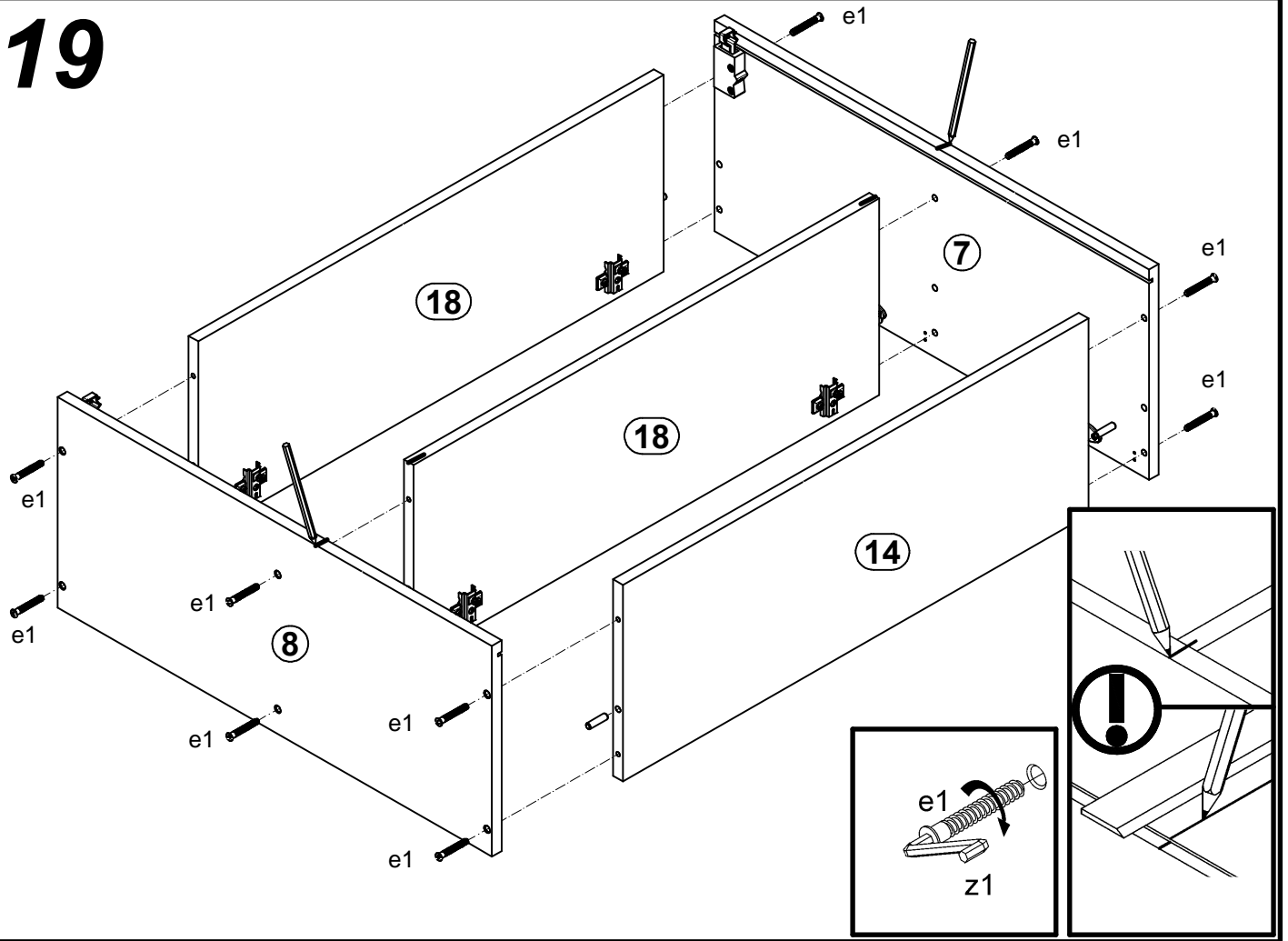
# 17



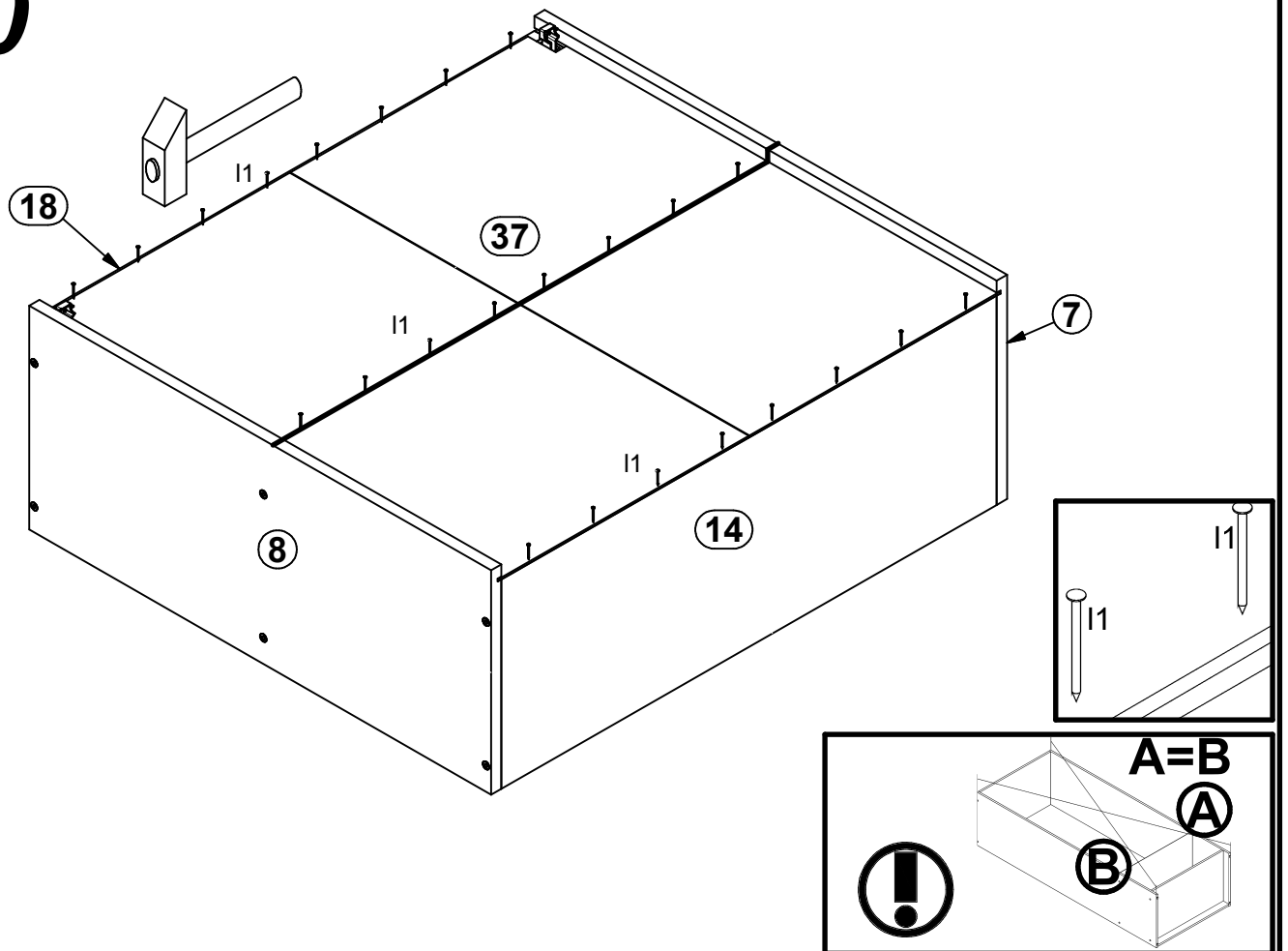
# 18



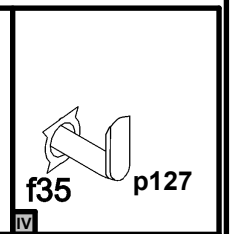
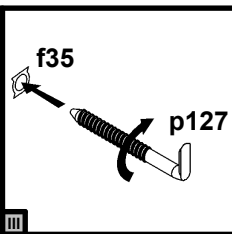
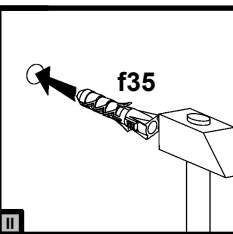
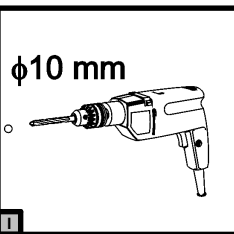
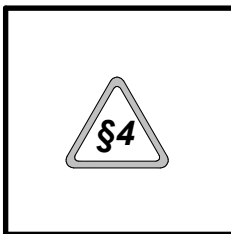
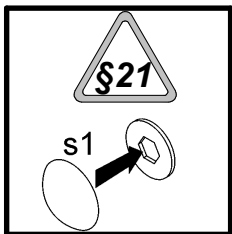
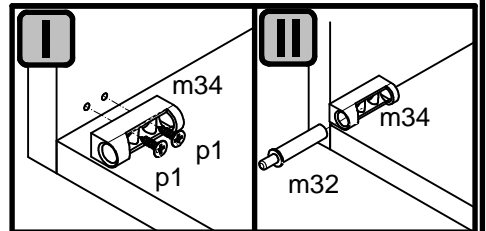
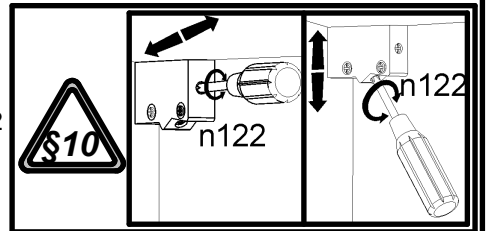
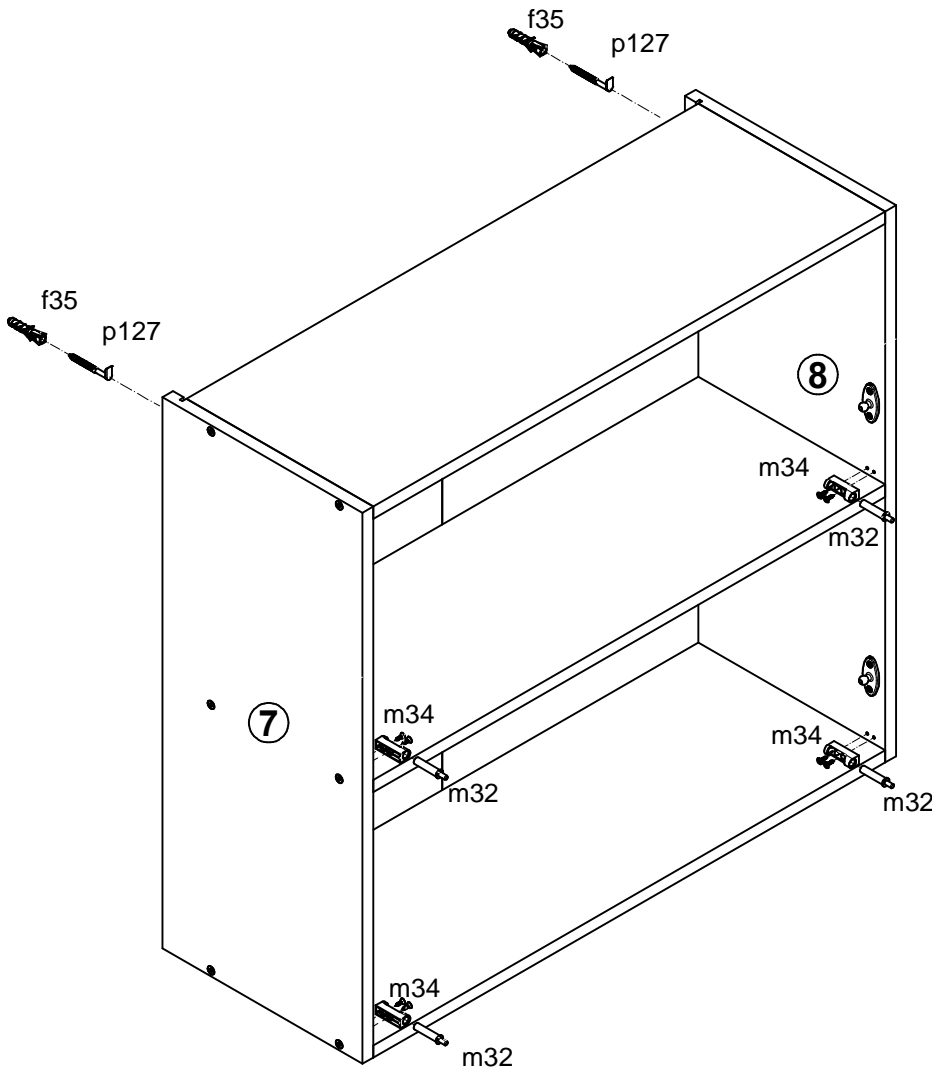
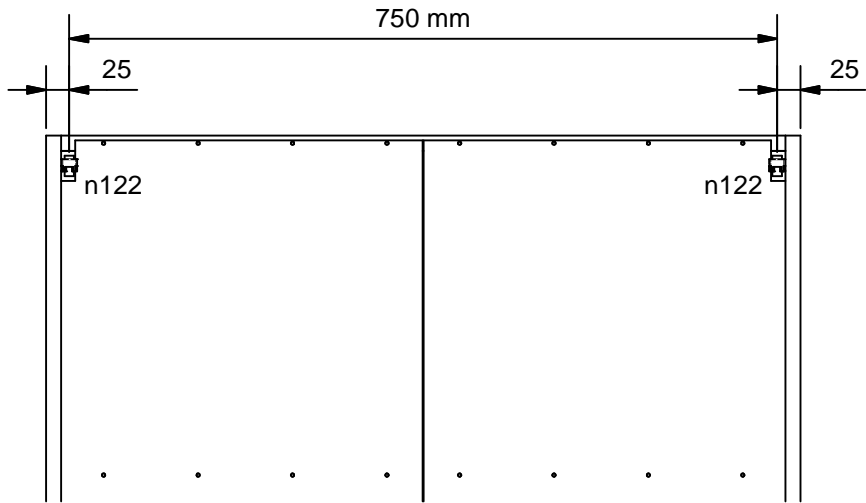
# 19



# 20



# 21



# 22

