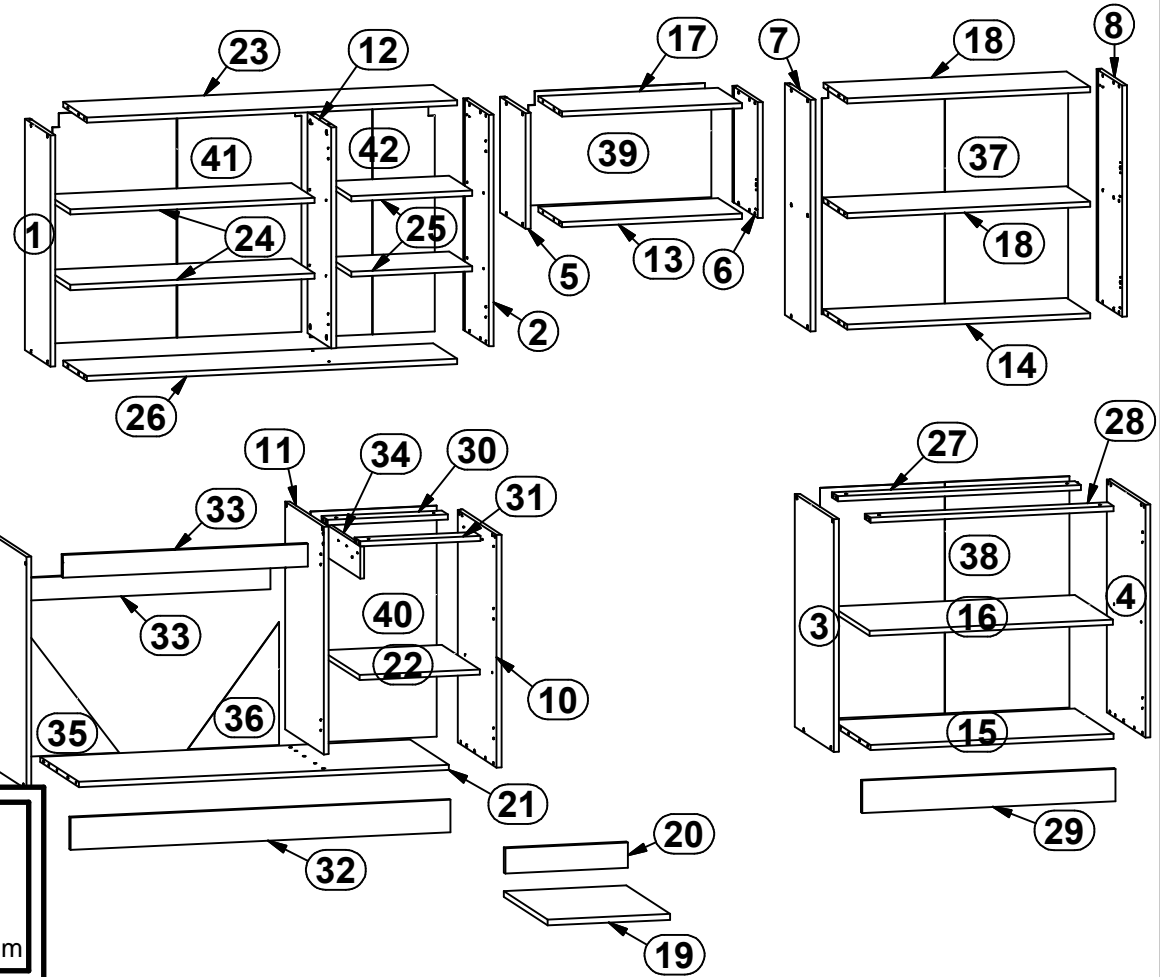


FAMILY LINE

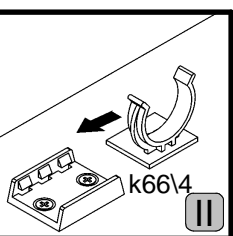
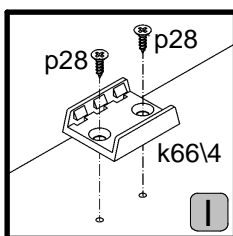
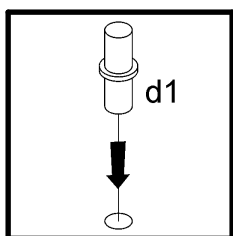
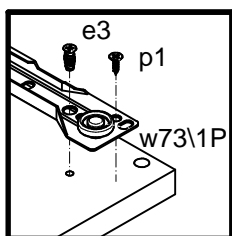
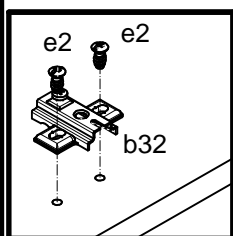
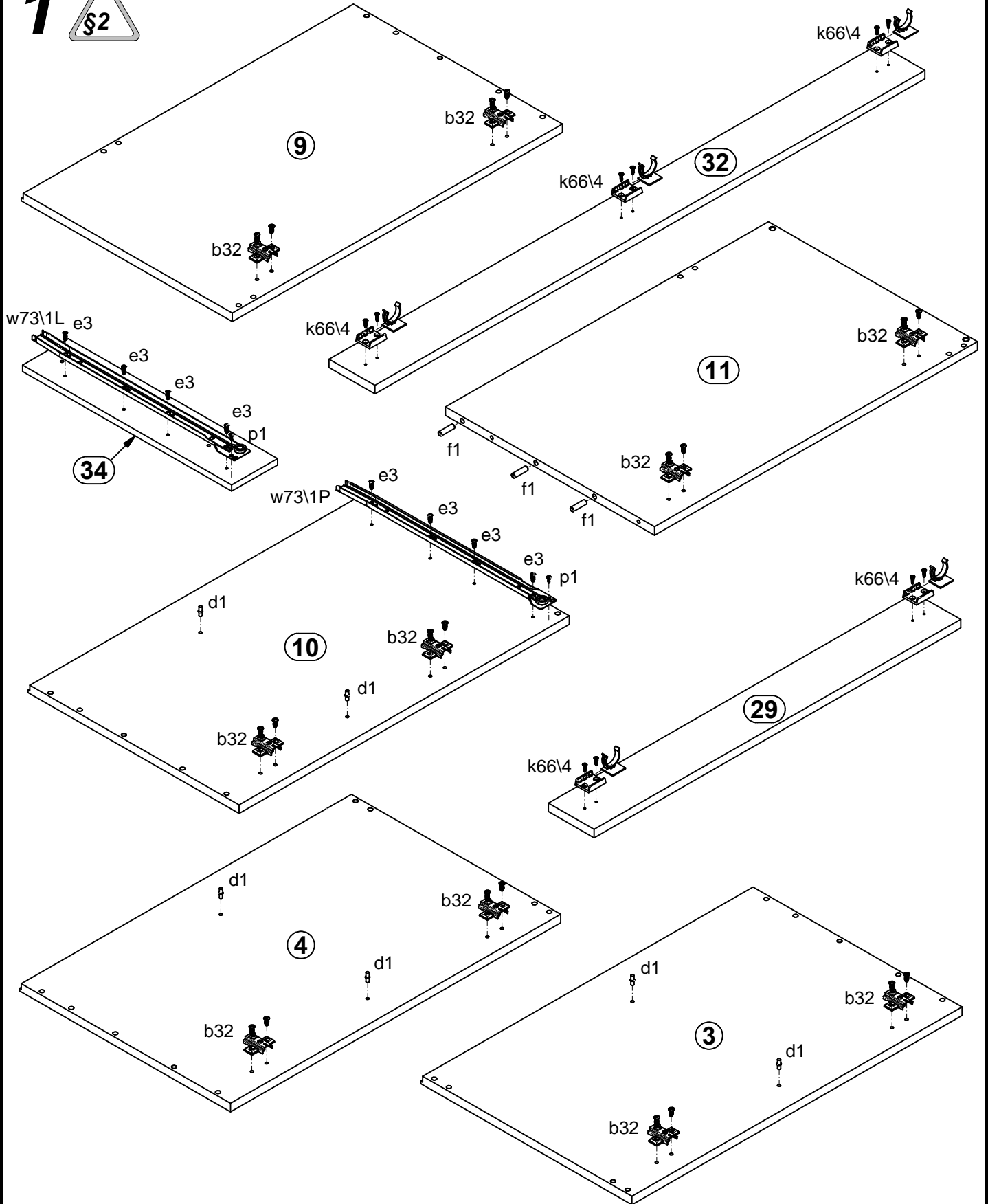
K10-260 MODERN P

A	B	C	D	A	B	C	D		
1	K10-101	716	300	3/8	29	K10-432	799	100	2/8
2	K10-102	716	300	3/8	30	K10-464	379	70	2/8
3	K10-103	720	460	1/8	31	K10-465	379	70	2/8
4	K10-104	720	460	1/8	32	K10-466	1199	100	2/8
5	K10-111	358	300	3/8	33	K10-467	772	70	2/8
6	K10-112	358	300	3/8	34	K10-711	100	456	2/8
7	K10-159	716	300	3/8	35	K10-917	380	287	1/8
8	K10-160	716	300	3/8	36	K10-918	380	287	1/8
9	K10-161	720	460	1/8	37	K10-925	711	777	1/8
10	K10-116	720	460	1/8	38	K10-926	715	787	1/8
11	K10-163	704	456	1/8	39	K10-929	353	577	1/8
12	K10-164	684	280	4/8	40	K10-944	715	397	1/8
13	K10-341	567	280	4/8	41	K10-945	711	783	1/8
14	K10-345	767	280	4/8	42	K10-946	711	394	1/8
15	K10-350	767	456	2/8					
16	K10-351	767	446	2/8					
17	K10-355	567	280	4/8					
18	K10-356	767	280	4/8					
19	K10-372	336	448	2/8					
20	K10-373	336	68	2/8					
21	K10-387	1167	456	2/8					
22	K10-388	379	446	2/8					
23	K10-389	1167	280	3/8					
24	K10-390	770	270	4/8					
25	K10-391	381	270	3/8					
26	K10-393	1167	280	3/8					
27	K10-430	767	70	4/8					
28	K10-431	767	70	2/8					

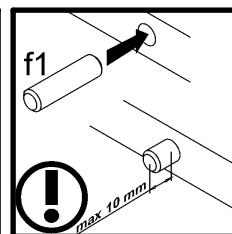
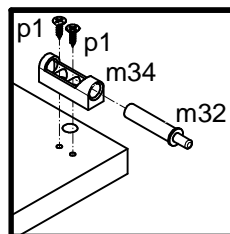
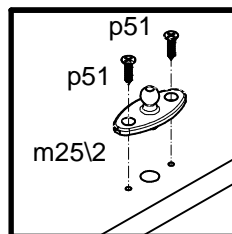
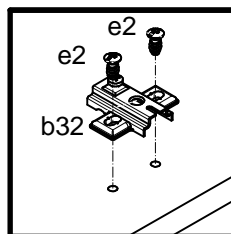
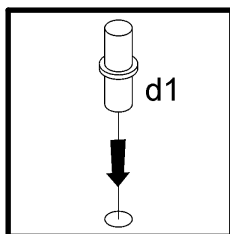
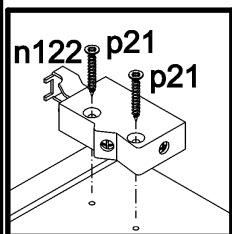
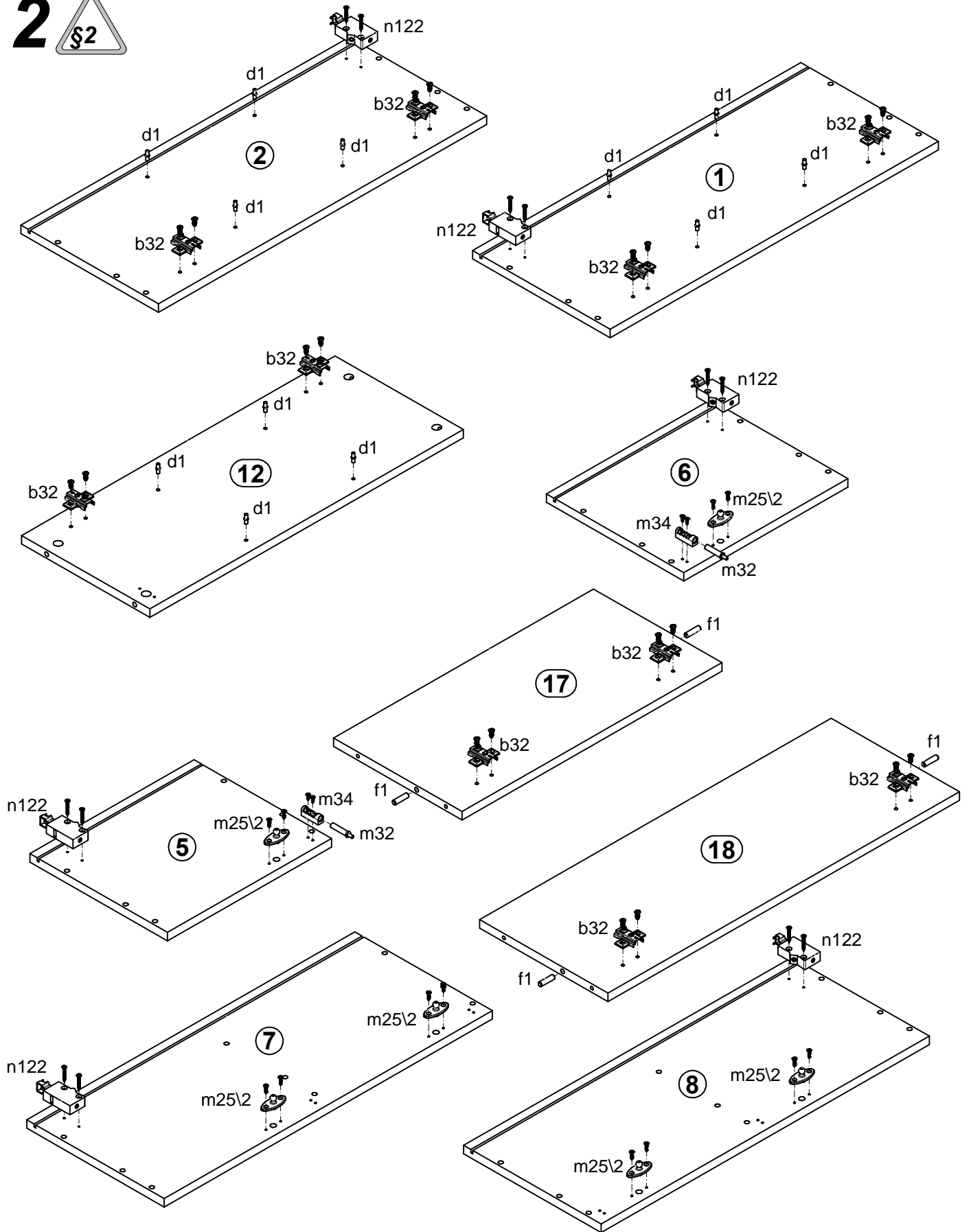


22x a83	22x b32	24x d1 φ5x17 mm	50x e1 φ7x50 mm	44x e2 φ6.3x13 mm	8x e3 φ6x13 mm	2x e31 φ6x22 mm	41x f1 φ8x30 mm	7x f35 φ10x50 mm	20x j45/1 M4x12 mm	10x j45/2	10x k66/1	10x k66/2
10x k66/3	5x k66/4	150x l1	6x m25/2	6x m25/7 50 N	6x m25/9	6x m32	6x m34	7x n122	2x o26 φ5/φ10x1.4 mm	2x o27 φ6.5/φ10x5.2 mm	14x p1 φ3.5x13 mm	22x p21 φ4x30 mm
12x p27 φ3.5x13 mm	10x p28 φ4x13 mm	56x p51 φ3.5x15 mm	40x p69 φ4x16 mm	7x p127 φ6x60 mm	4x r1 φ15x12 mm #16	4x r42	1x w73/1L 450 mm	1x w73/1P 450 mm	1x w73/2L	1x w73/2P	2x w73/3	20x s1
3x s2 Ø16	2x z1											

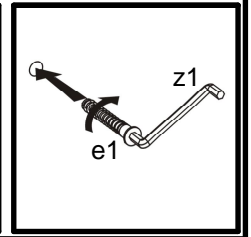
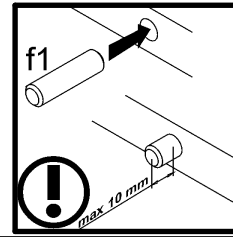
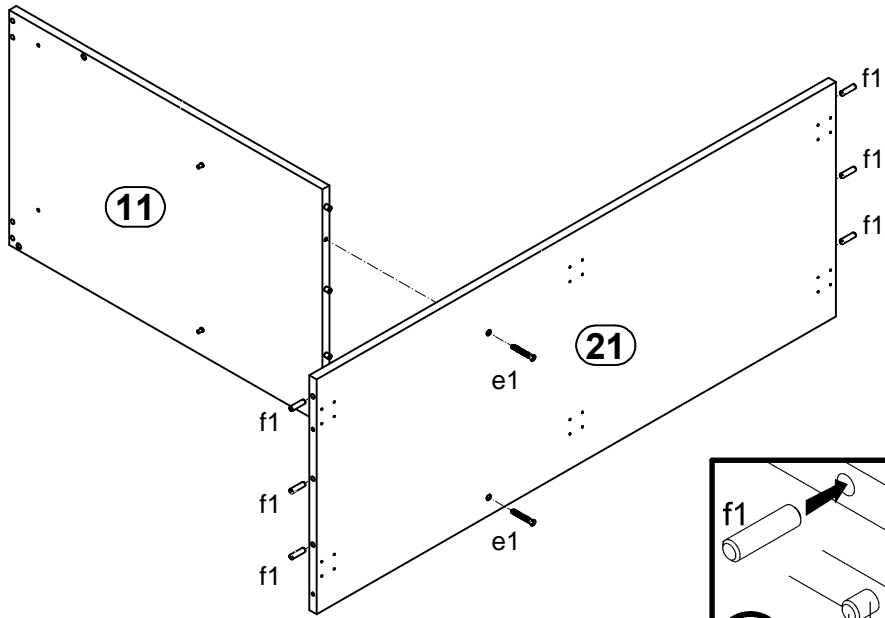
1



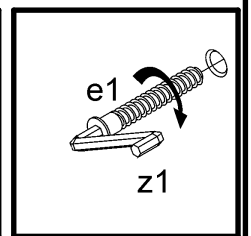
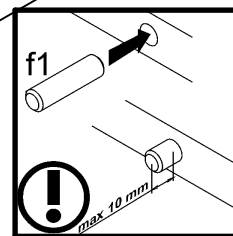
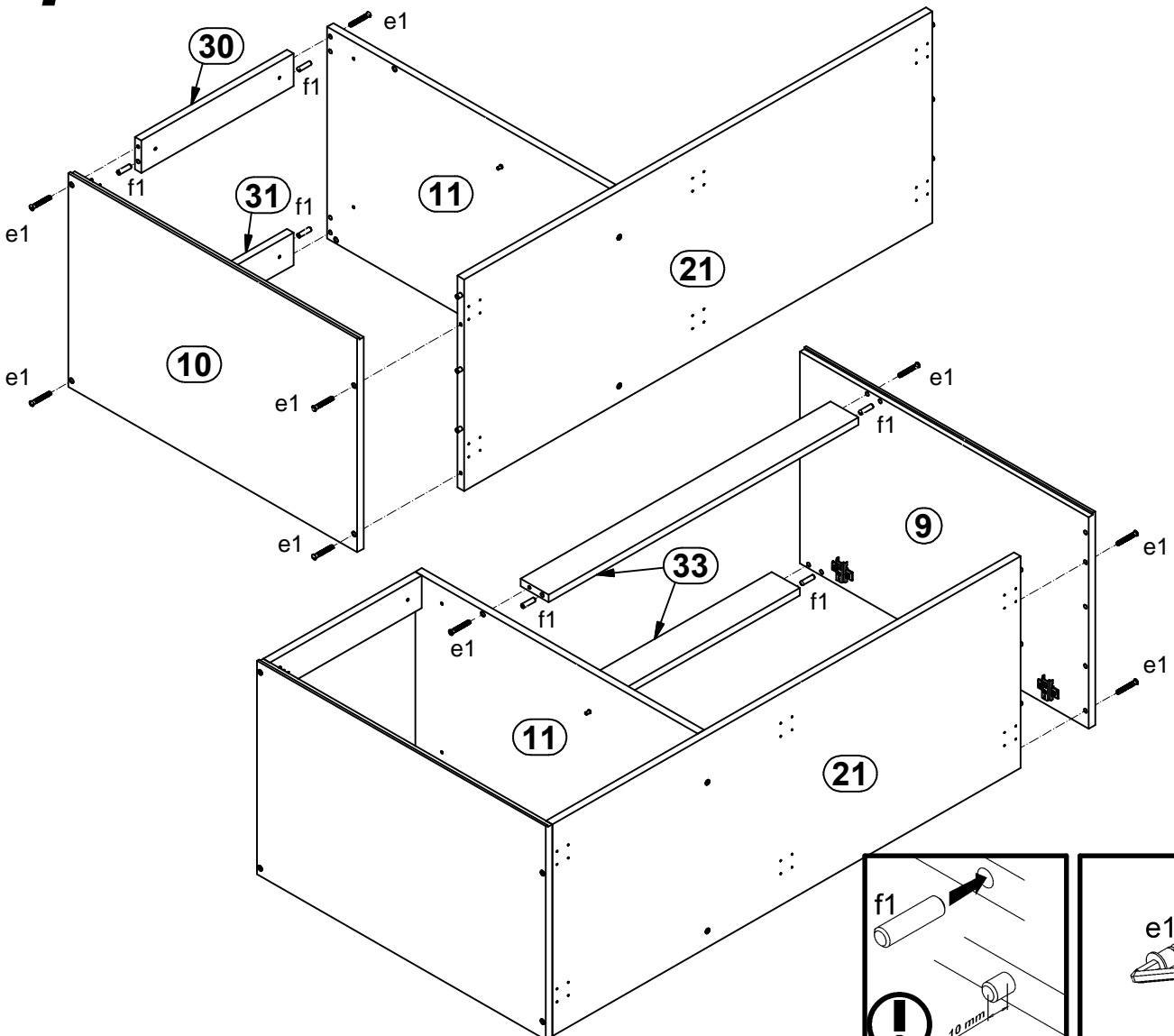
2



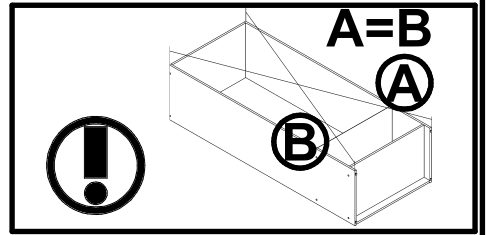
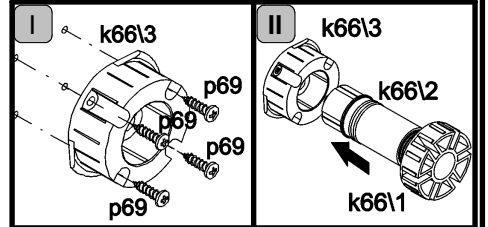
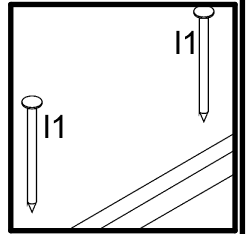
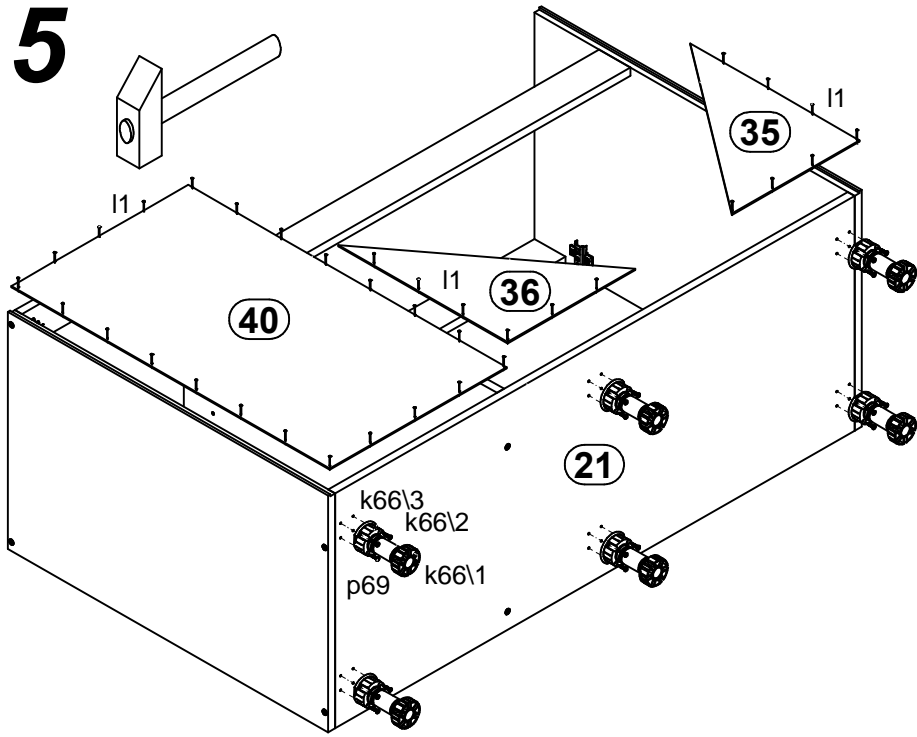
3



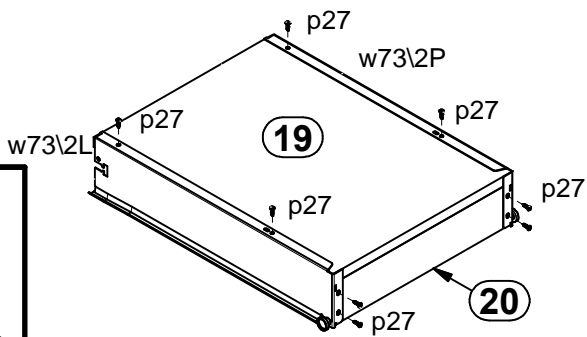
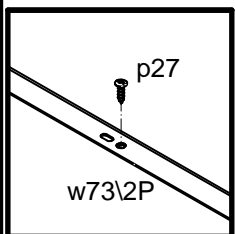
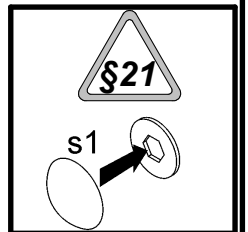
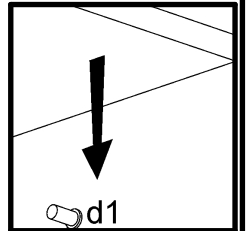
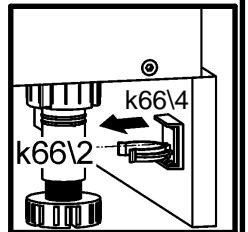
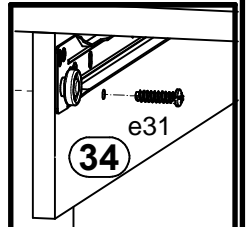
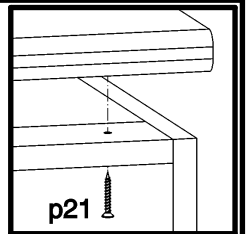
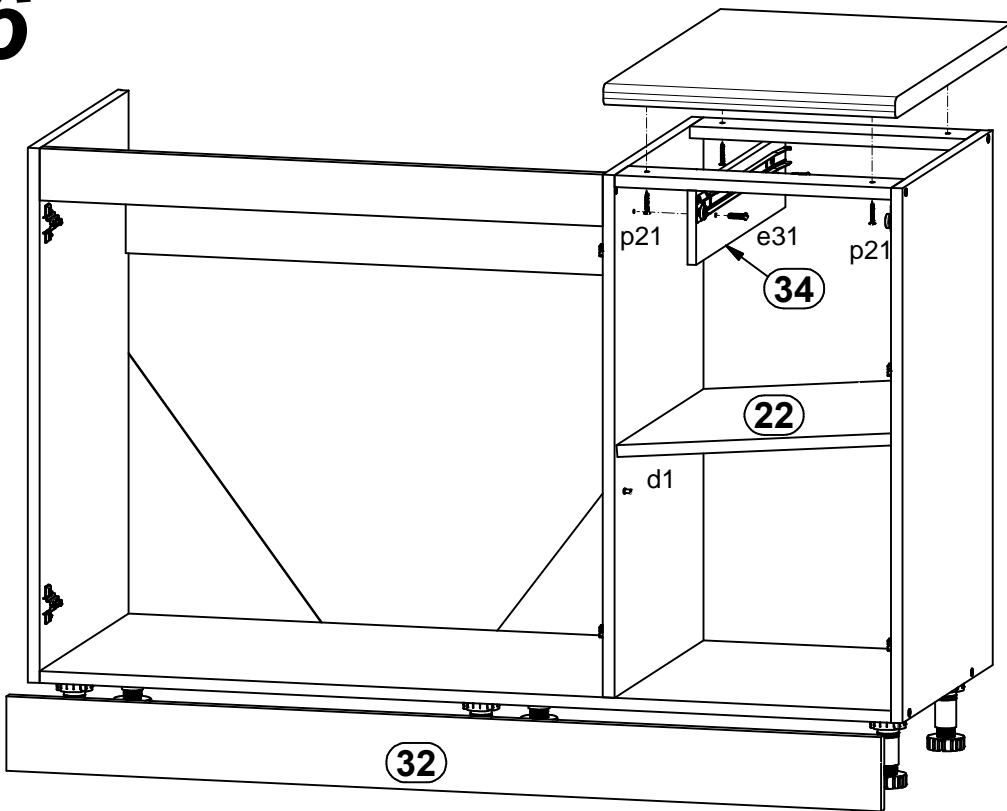
4

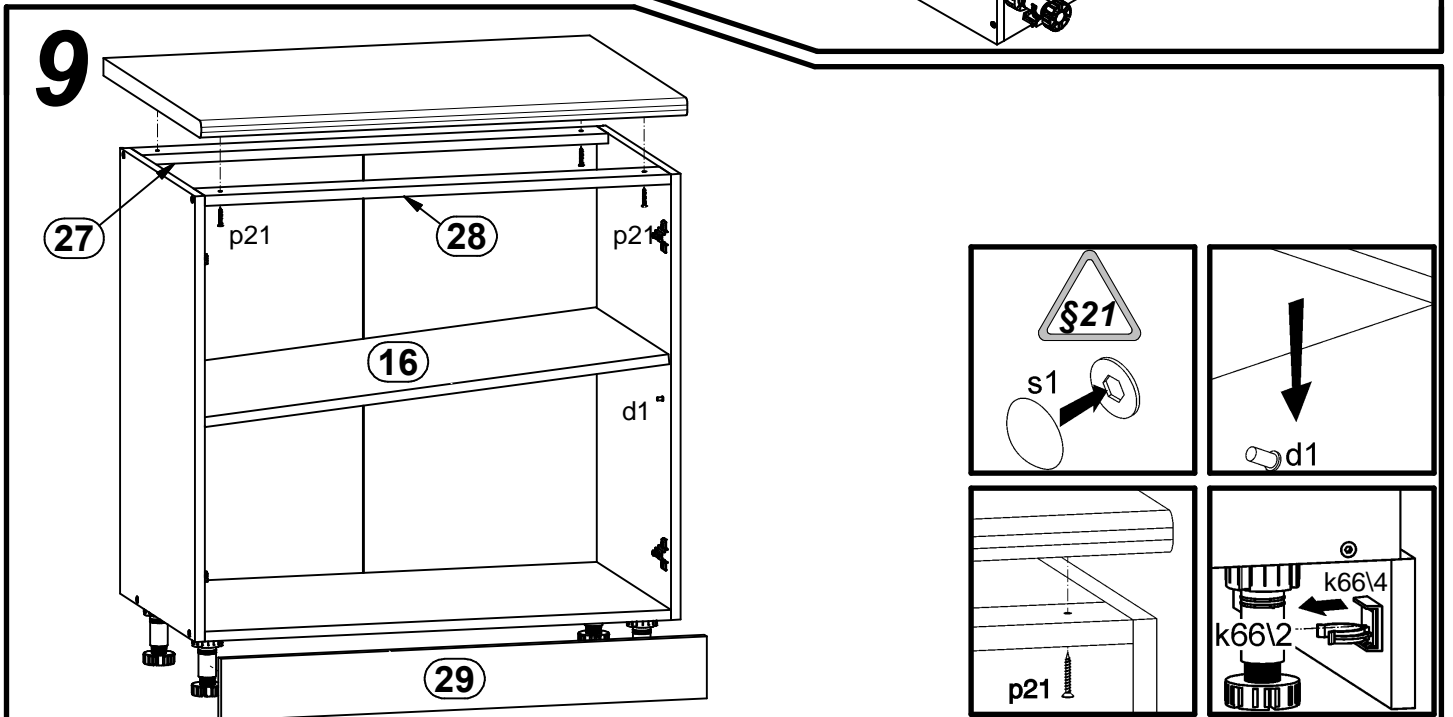
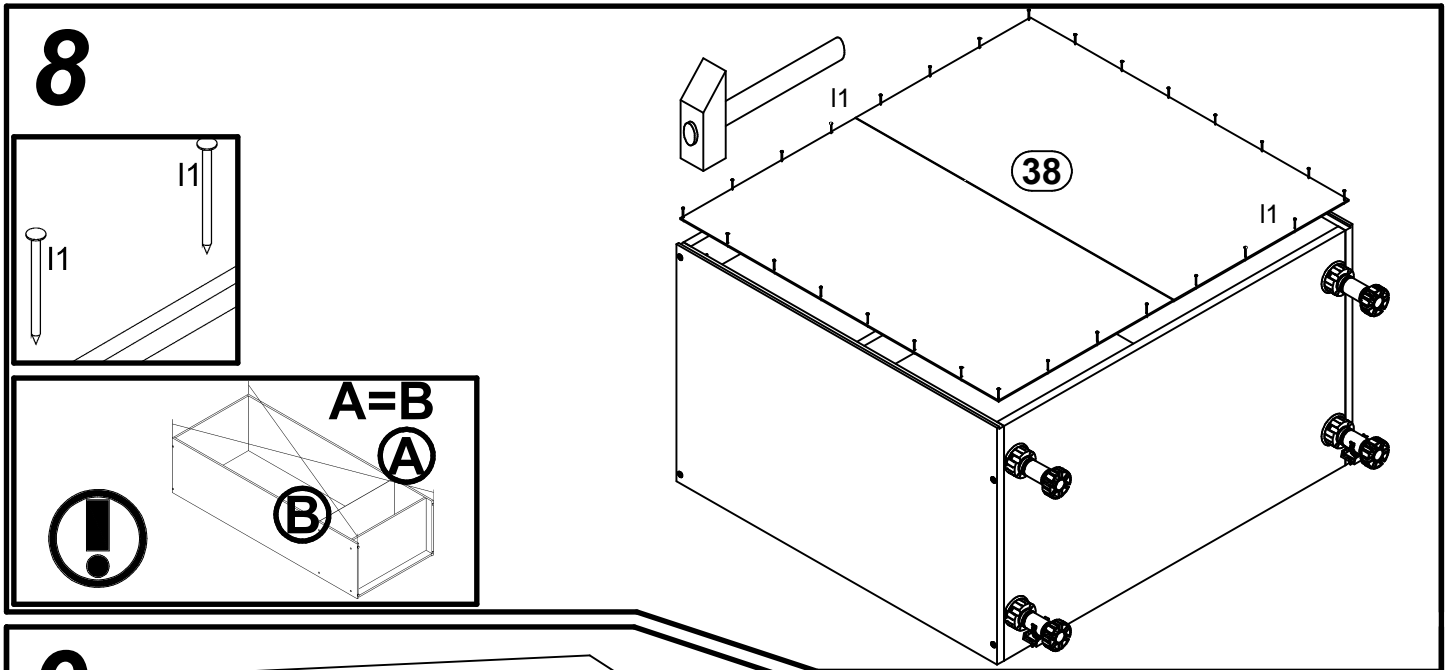
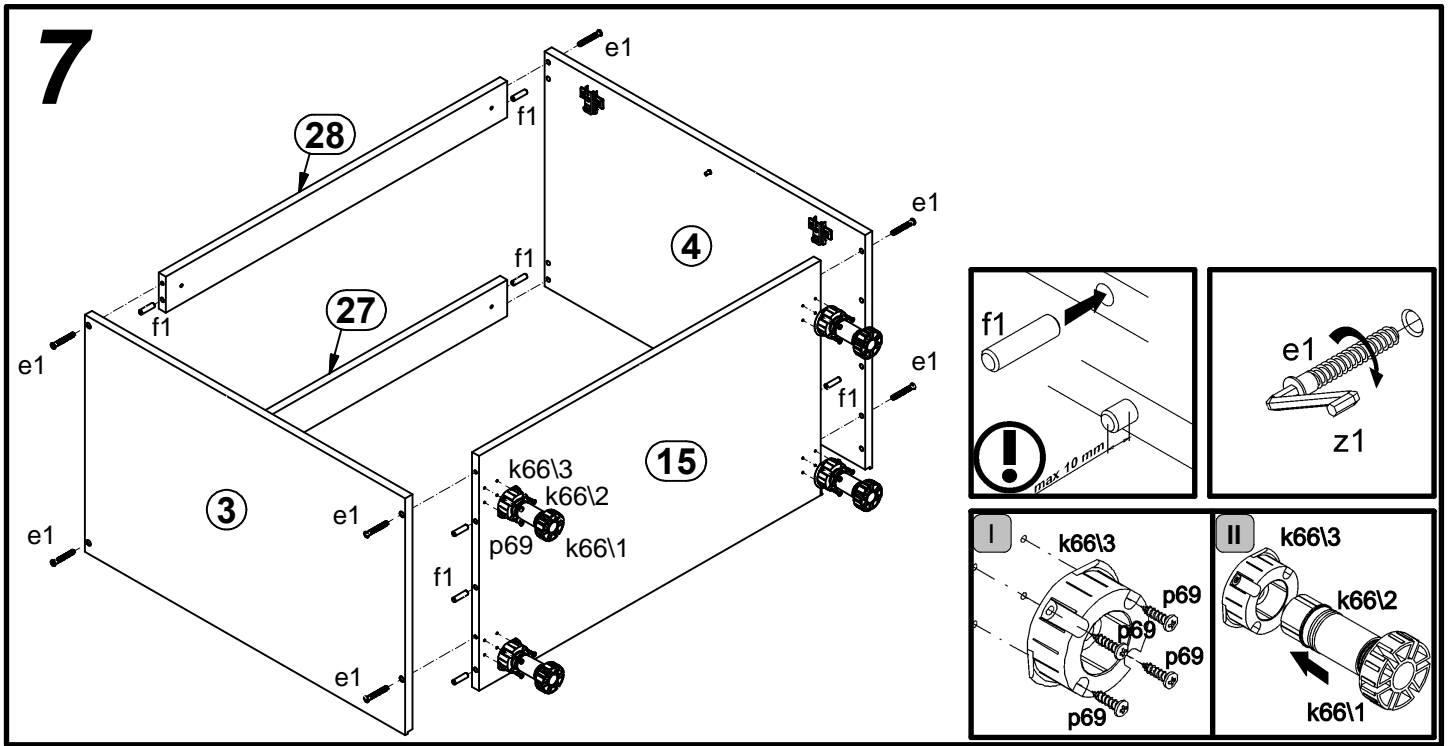


5

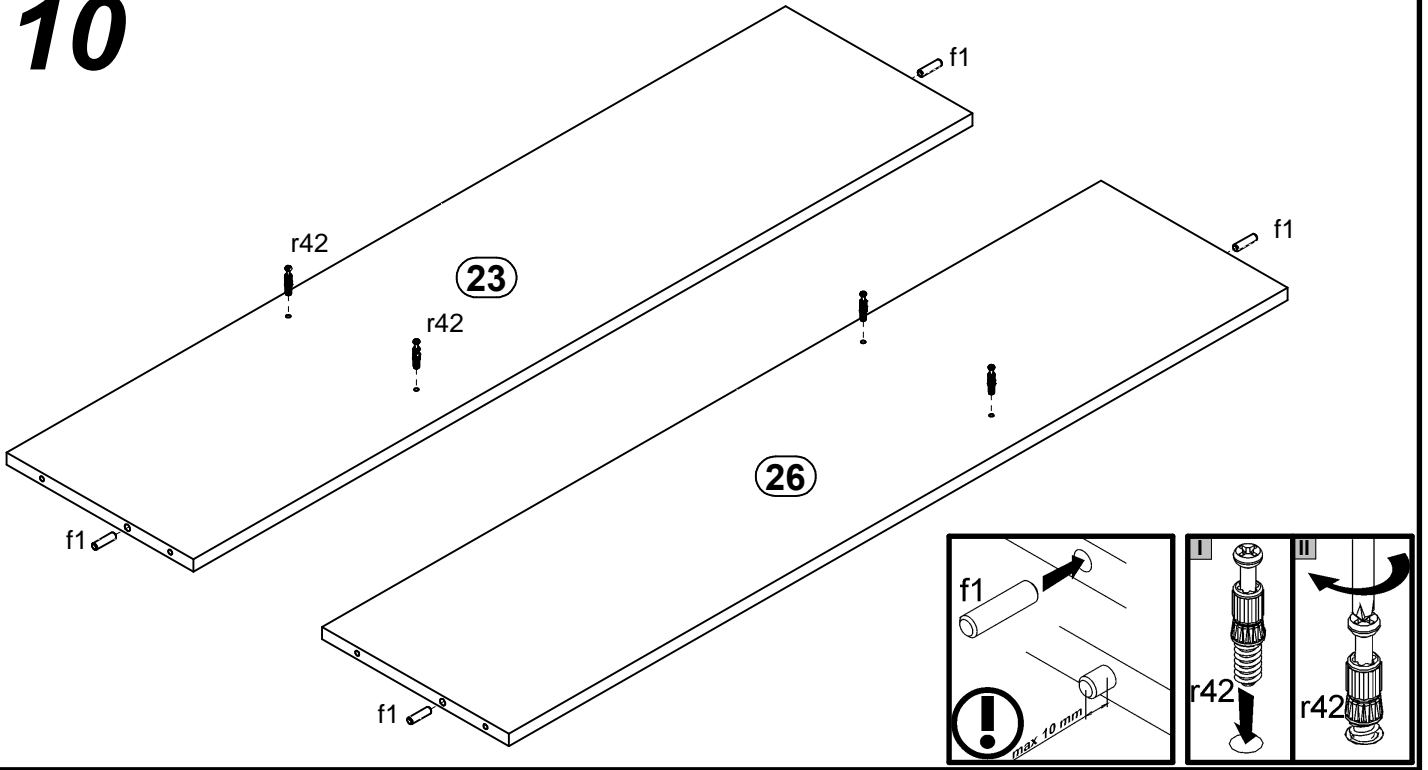


6

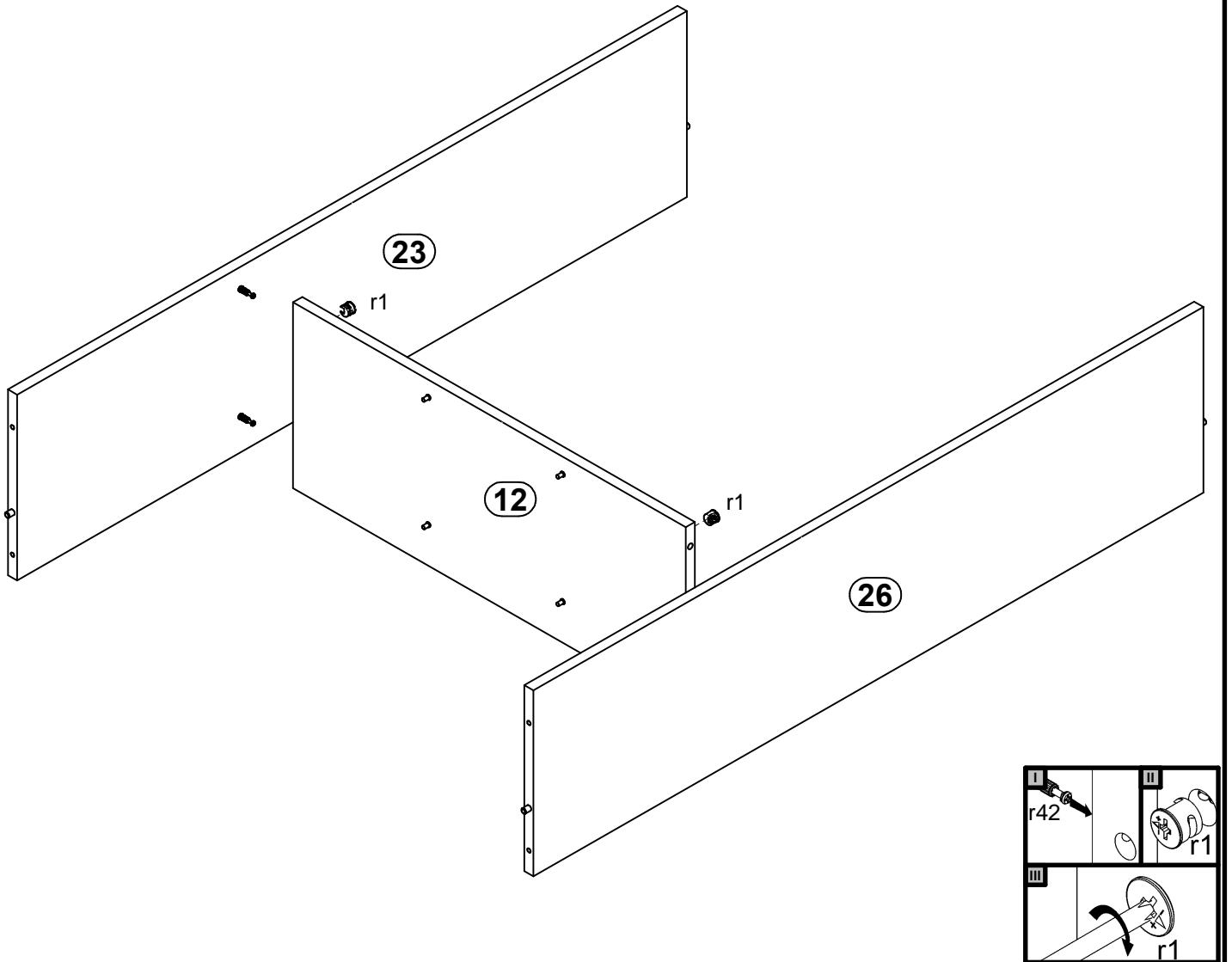




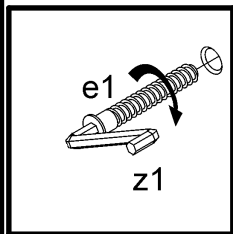
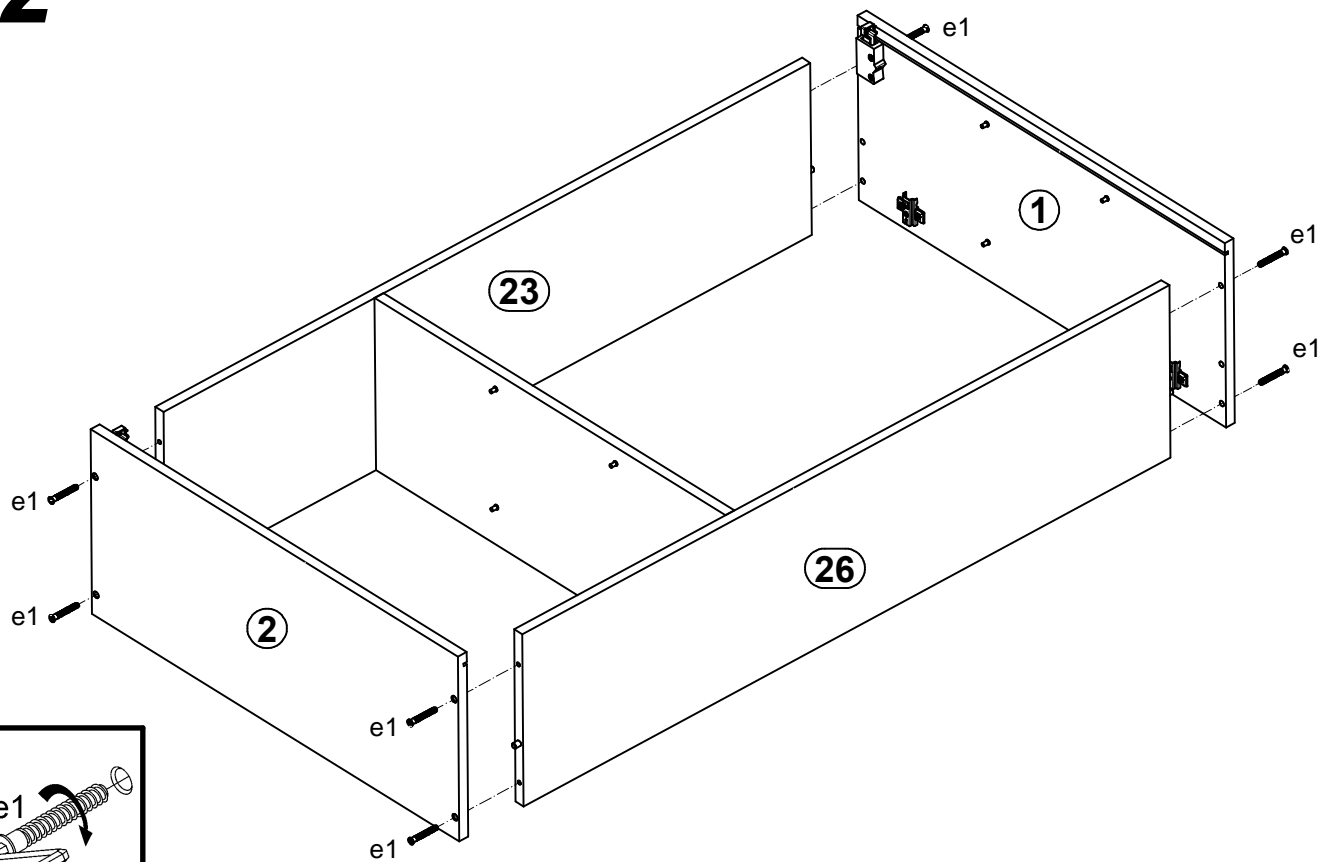
10



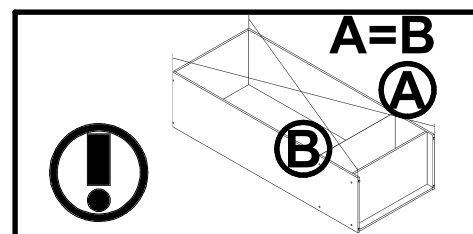
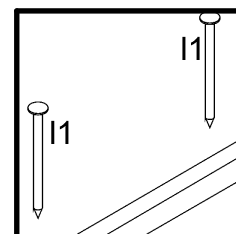
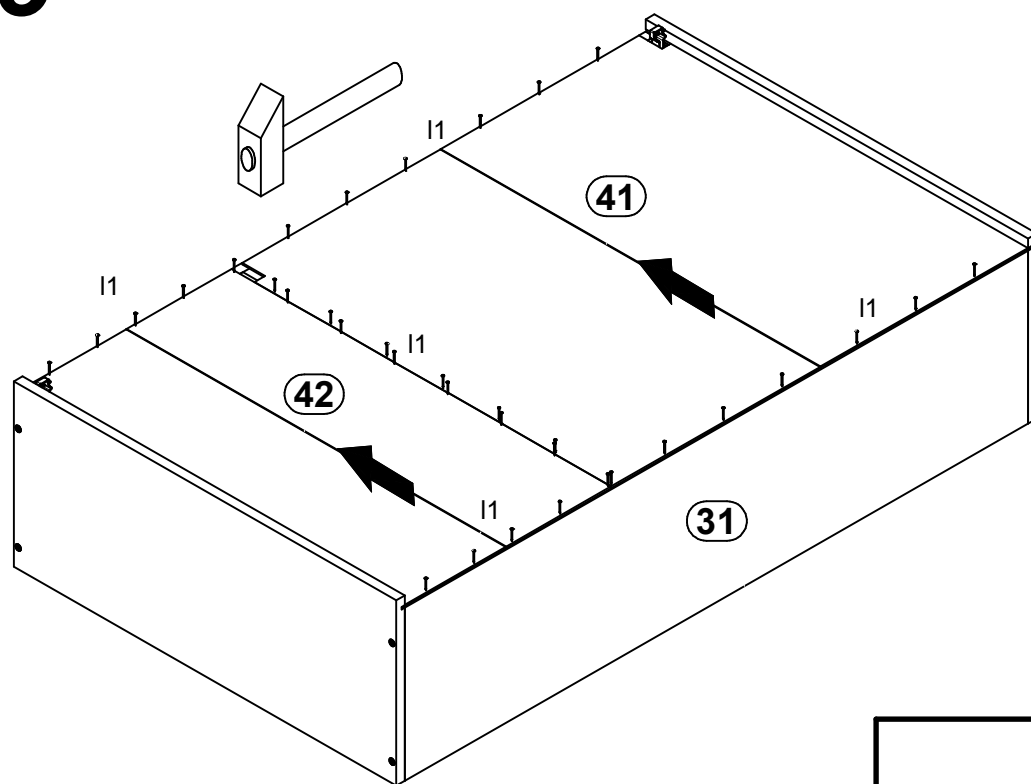
11



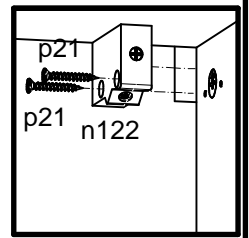
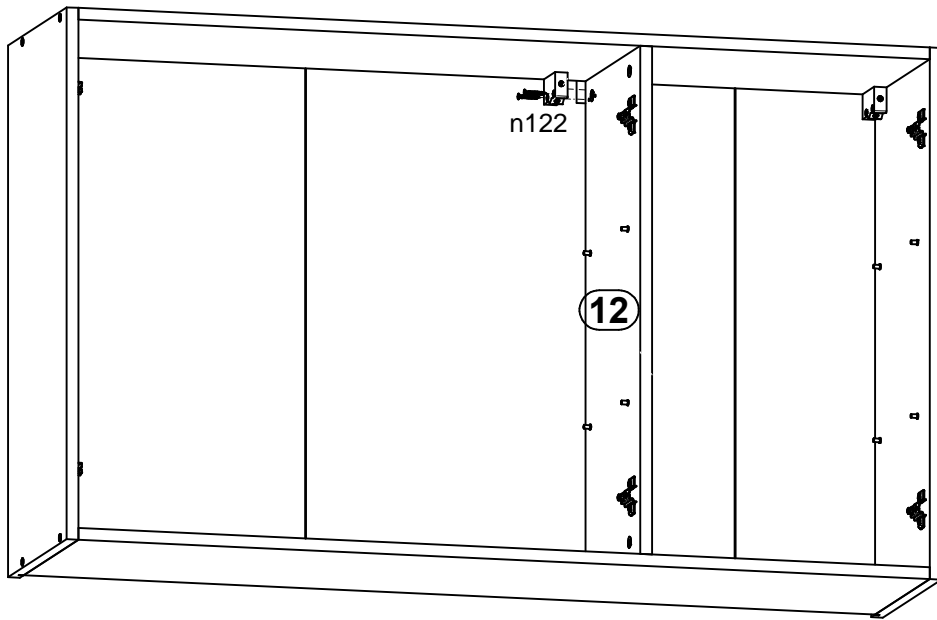
12



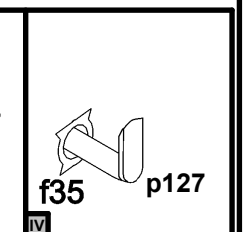
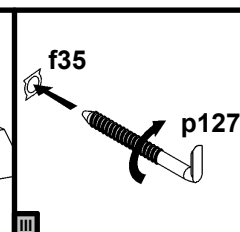
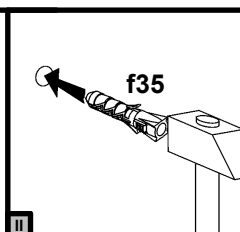
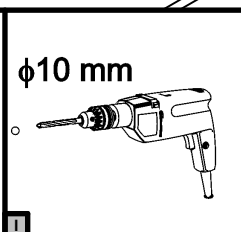
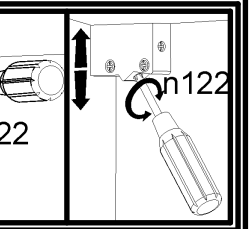
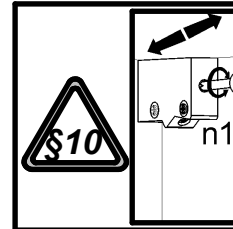
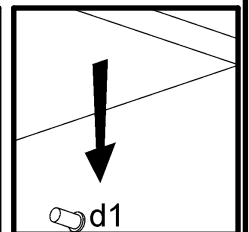
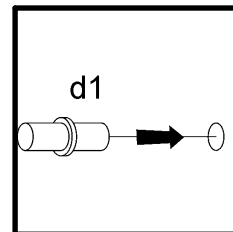
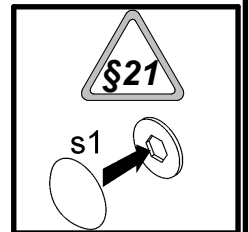
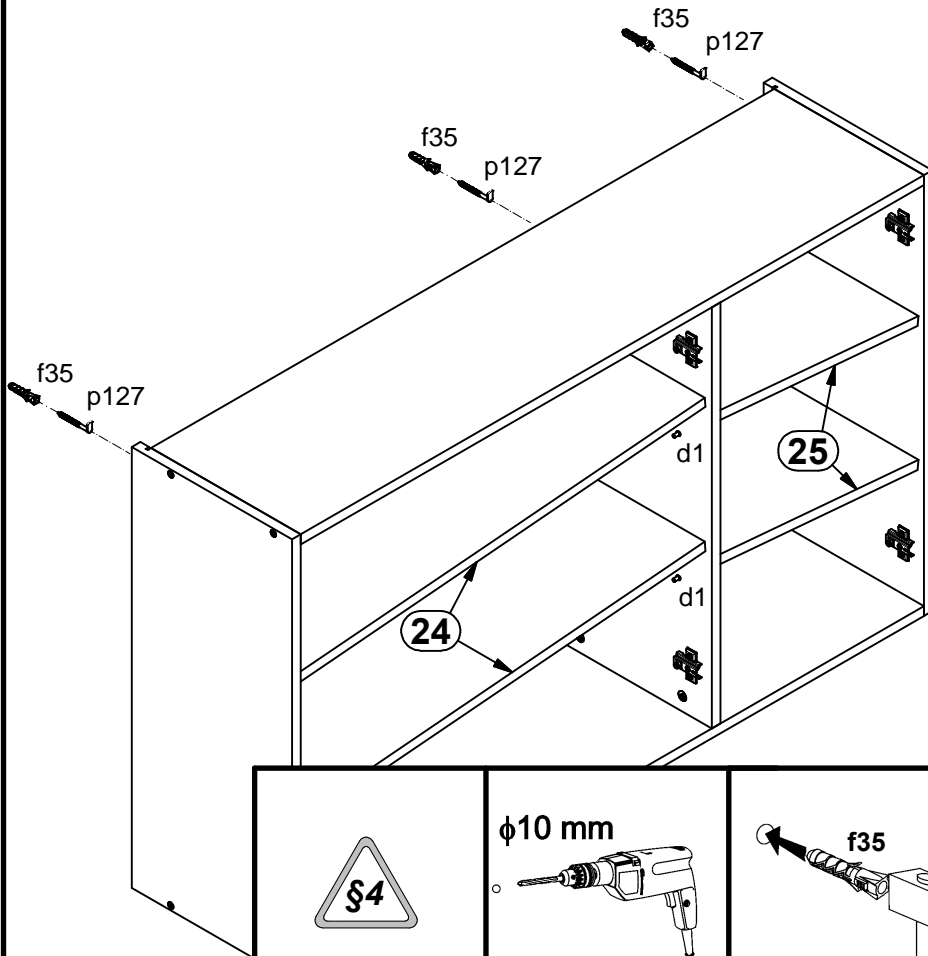
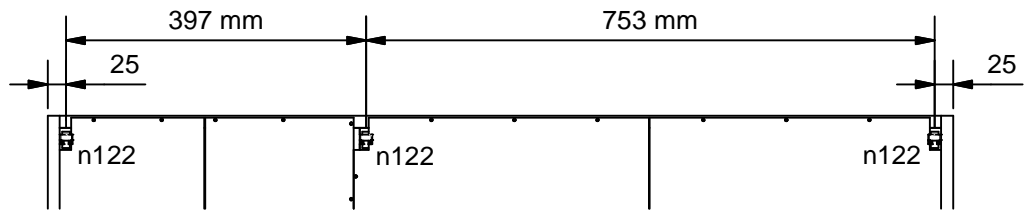
13



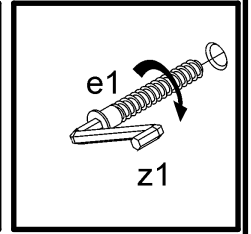
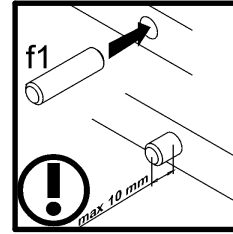
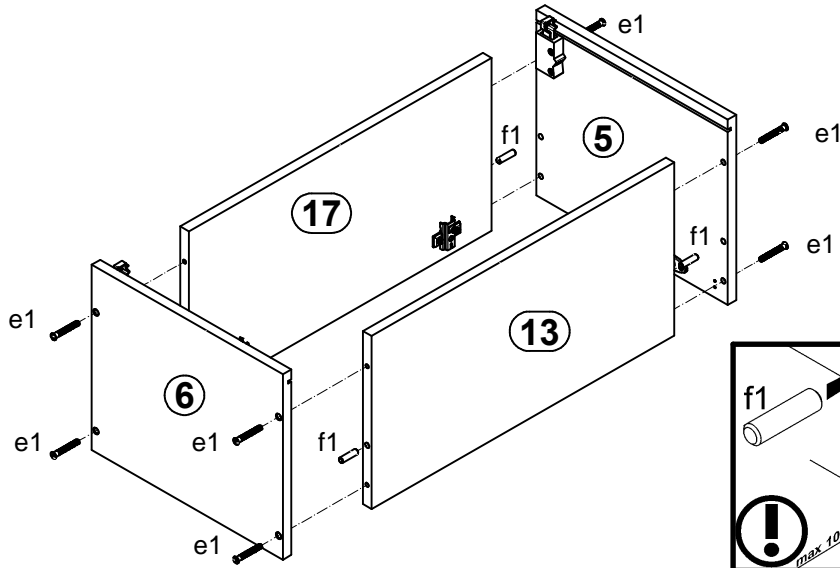
14



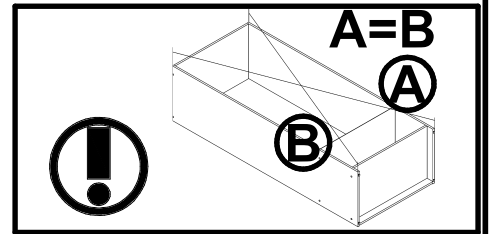
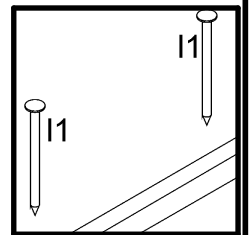
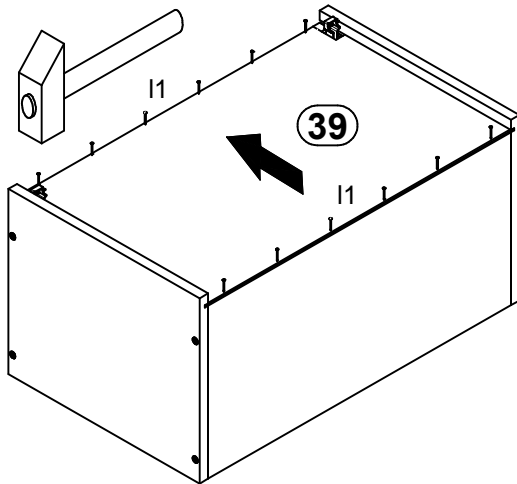
15



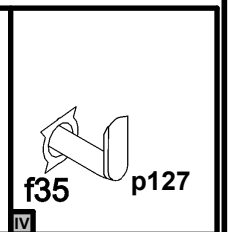
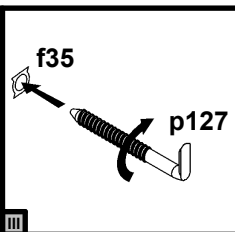
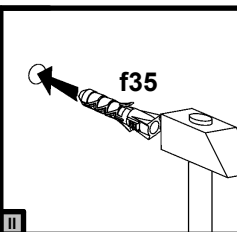
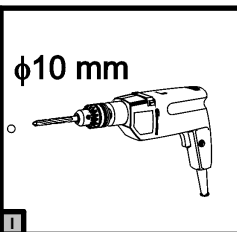
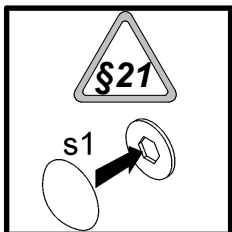
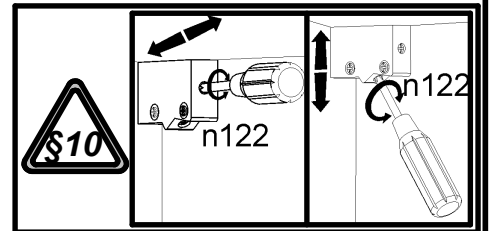
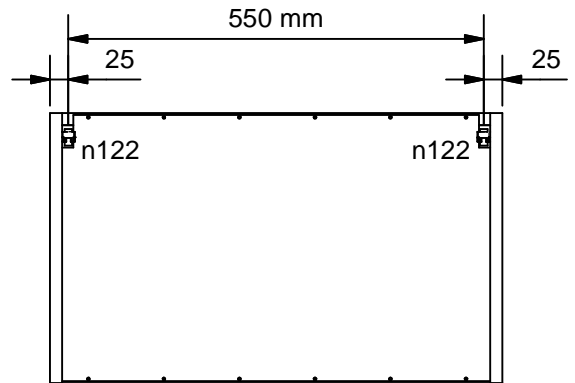
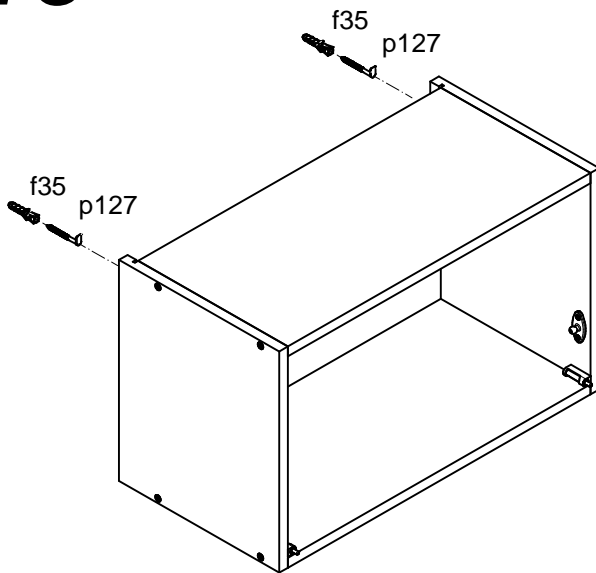
16



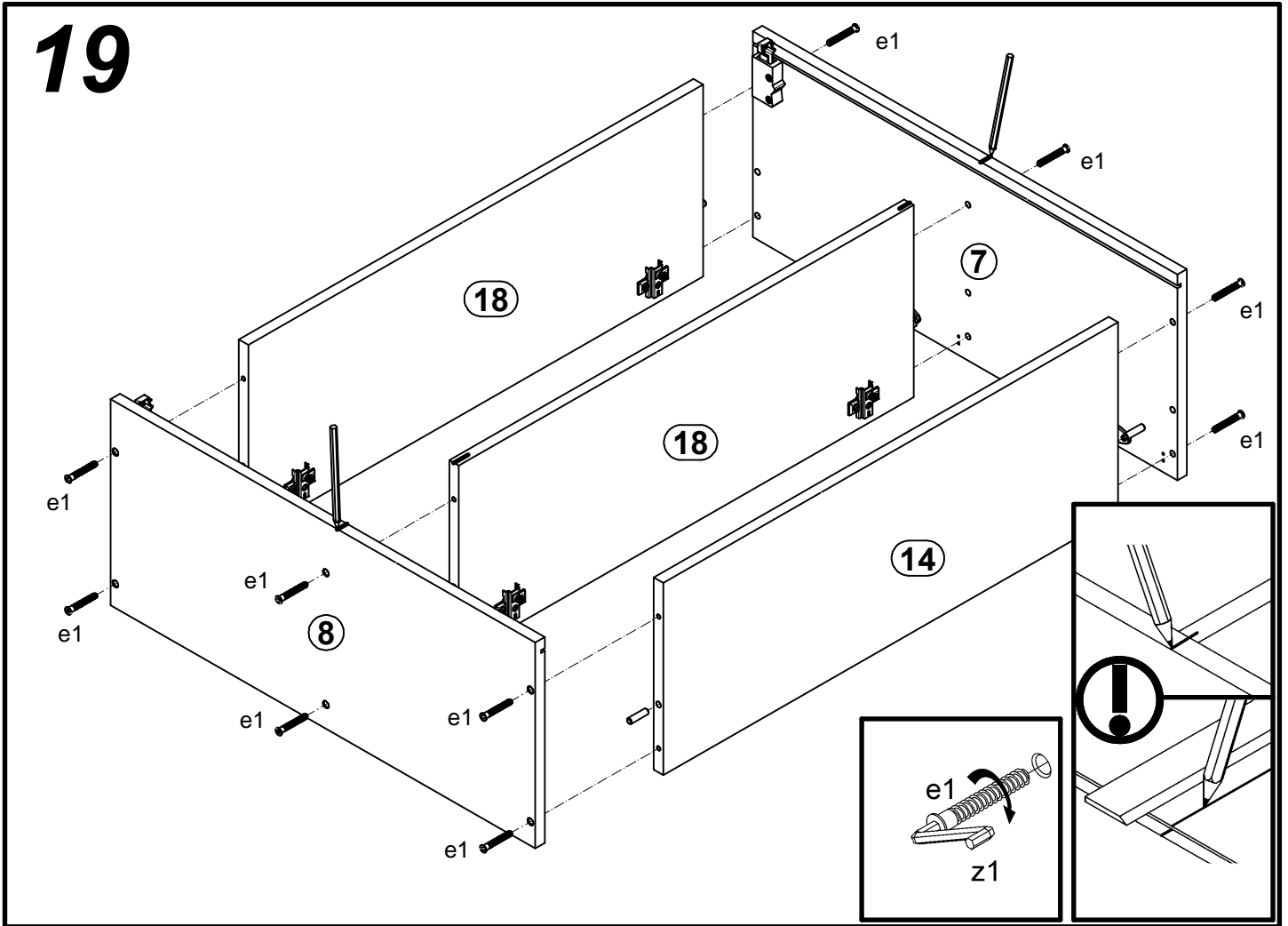
17



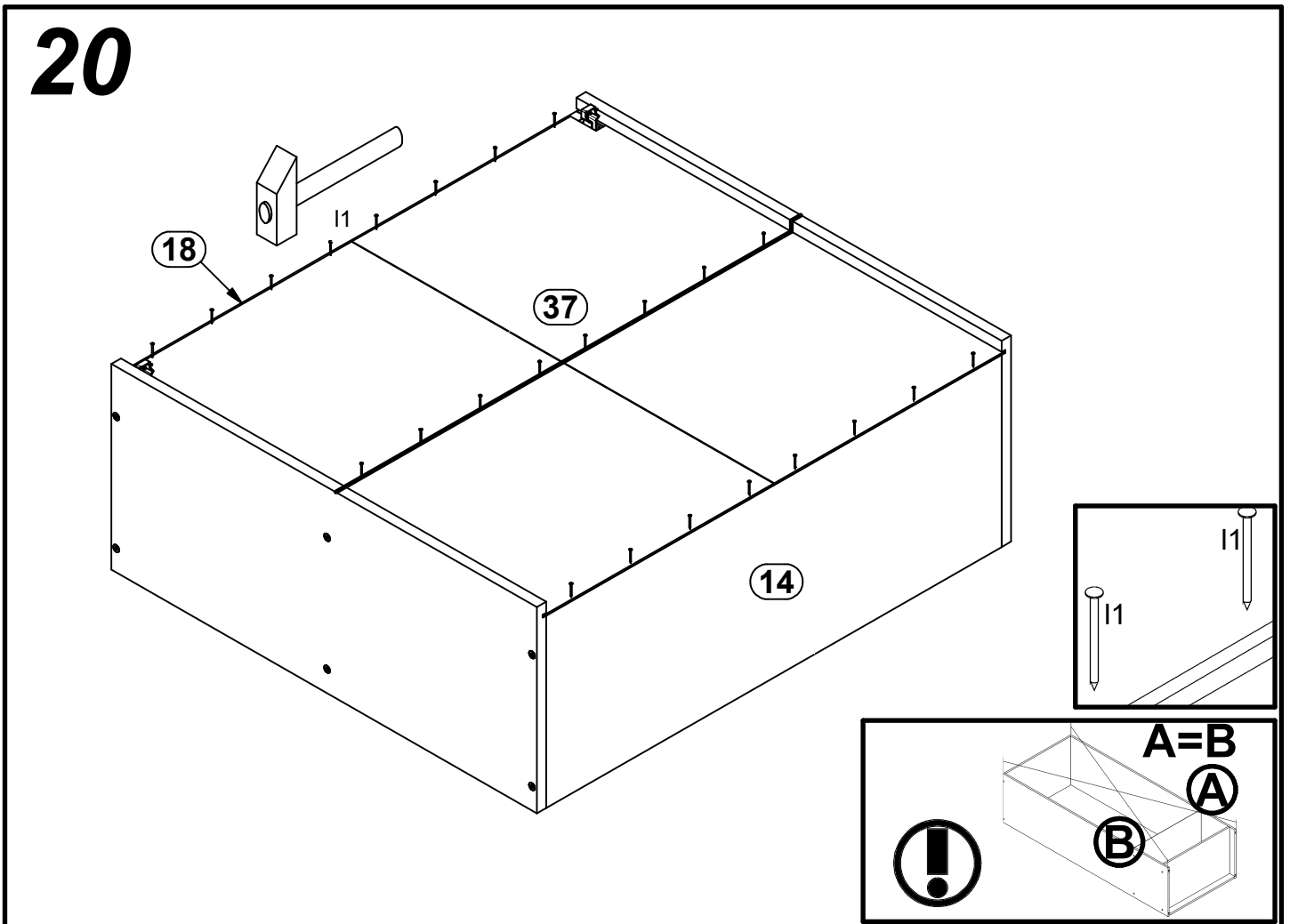
18



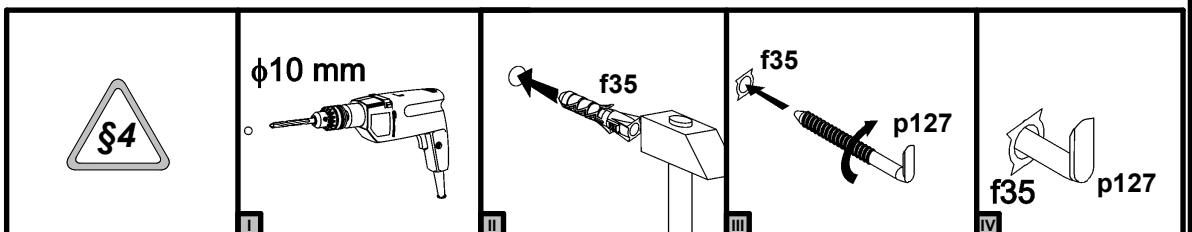
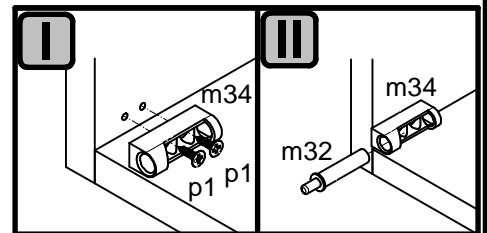
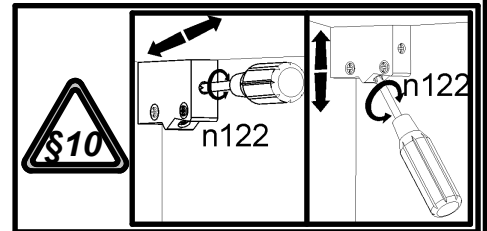
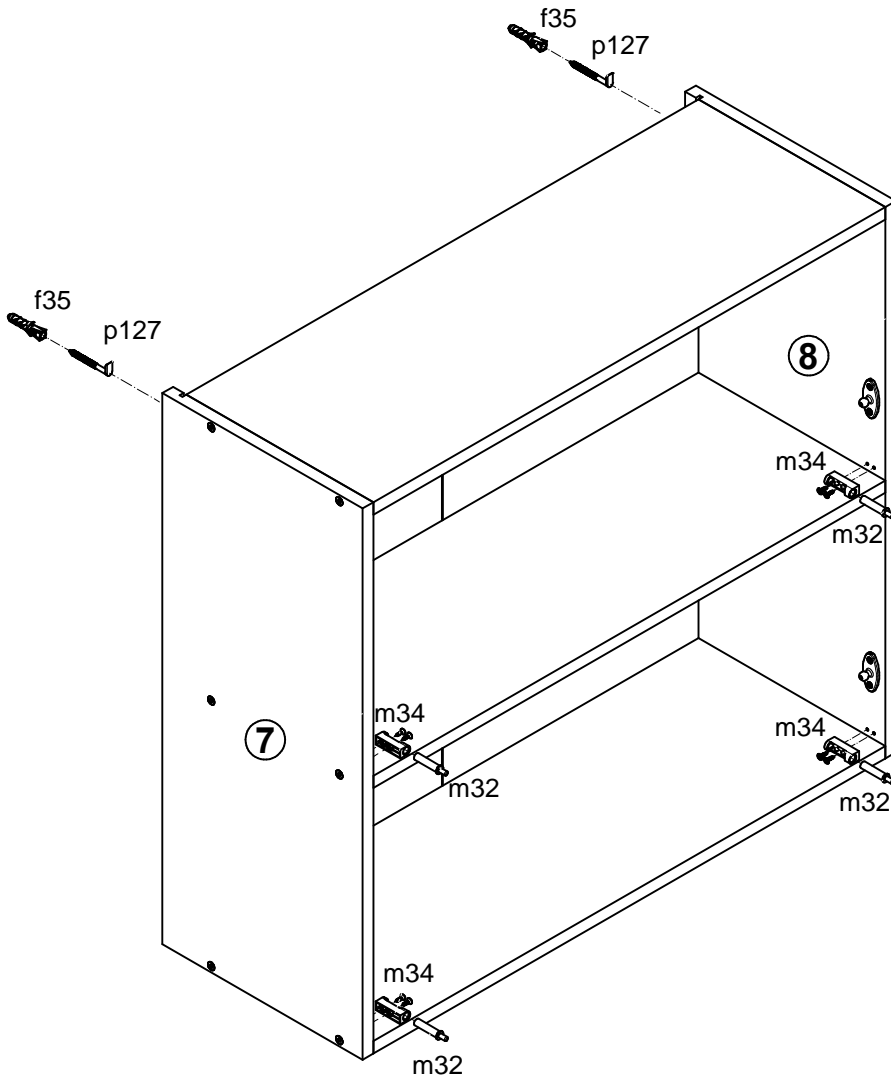
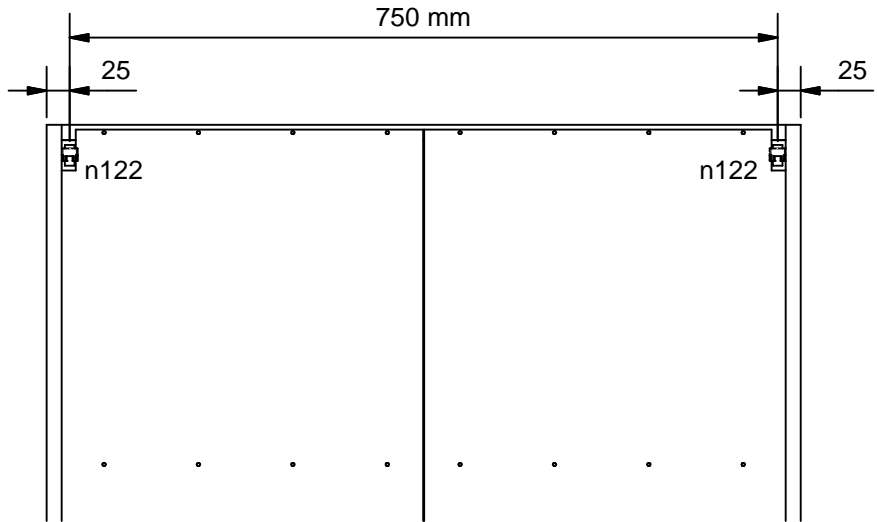
19



20



21



22

