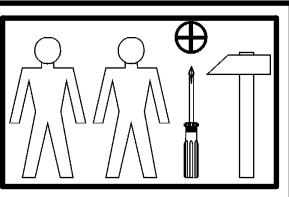
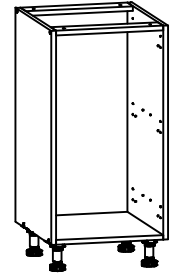
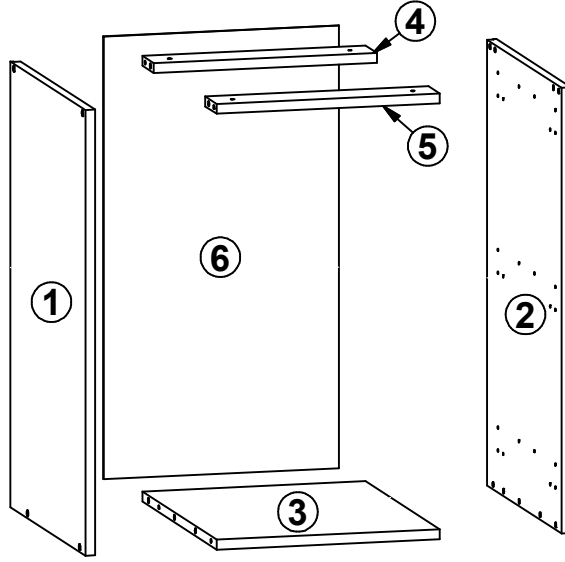
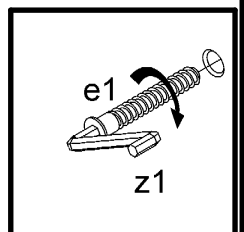
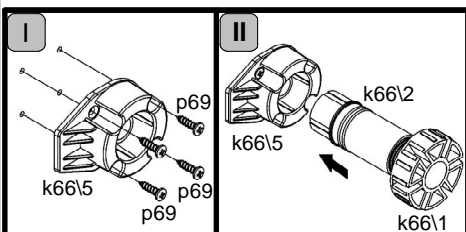
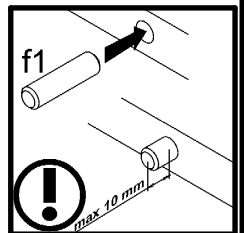
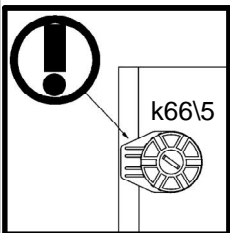
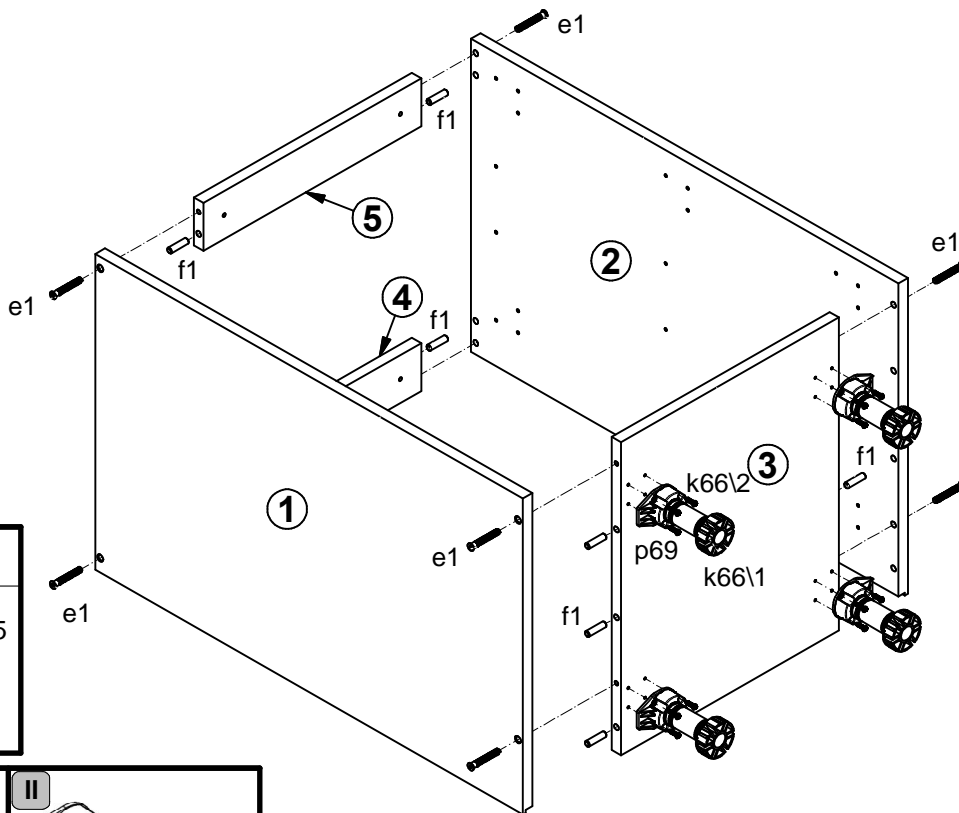


A	B	C	D	
1	K10-113/A	720	460	1/8
2	K10-114/A	720	460	1/8
3	K10-303	367	456	1/8
4	K10-401	367	70	1/8
5	K10-402	367	70	1/8
6	K10-937	715	387	1/8



8x φ7x50 mm e1	10x φ8x30 mm f1	4x M4x12 mm j45\1	2x j45\2	4x k66\1	4x k66\2	2x k66\4	4x k66\5	30x l1
4x φ4x30 mm p21	4x φ4x13 mm p28	16x φ4x16 mm p69	8x s1	1x z1				



# 2

