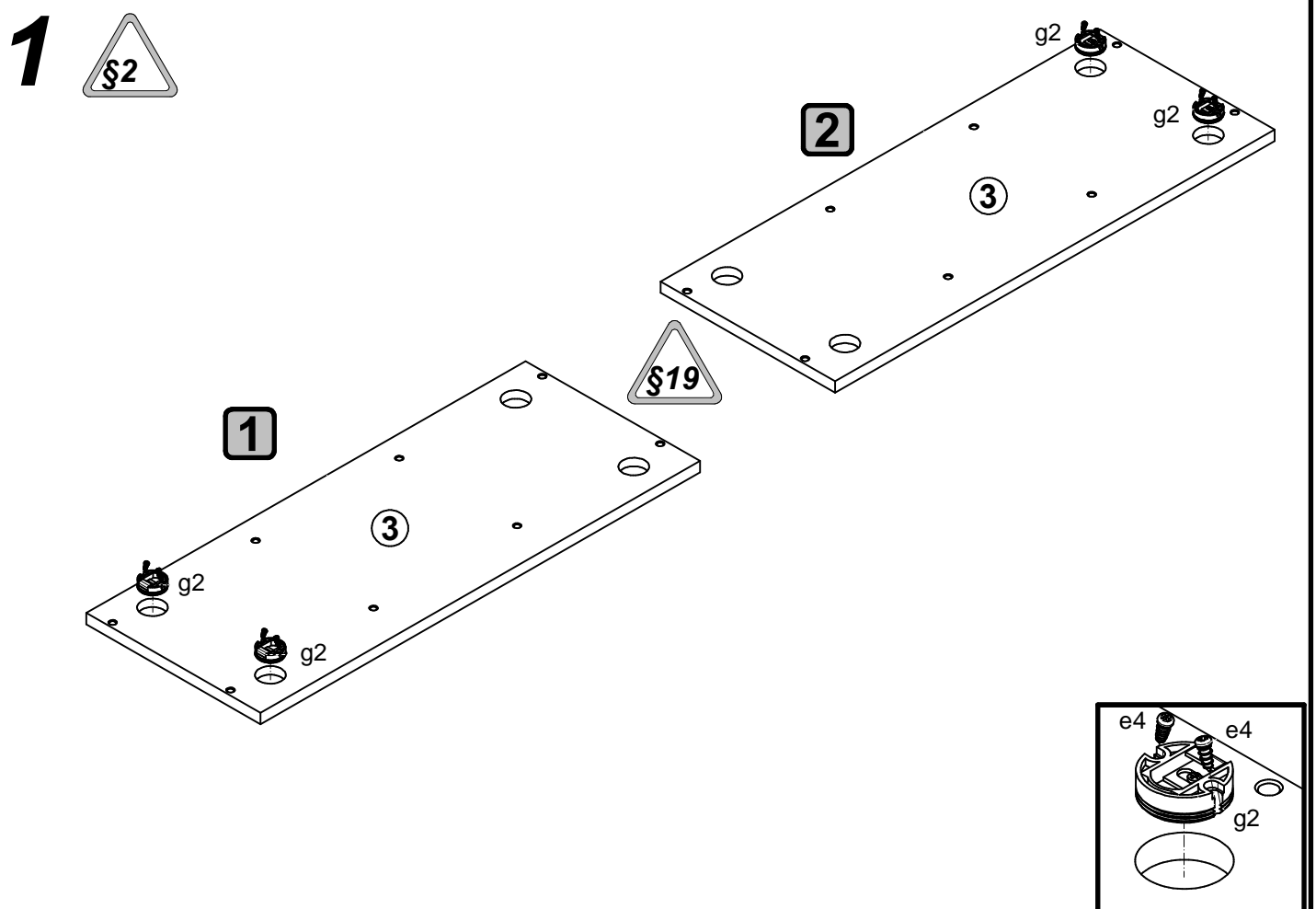
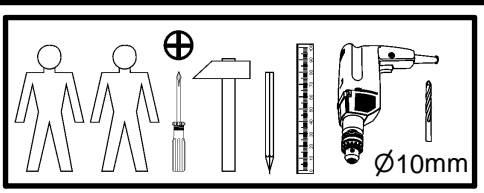
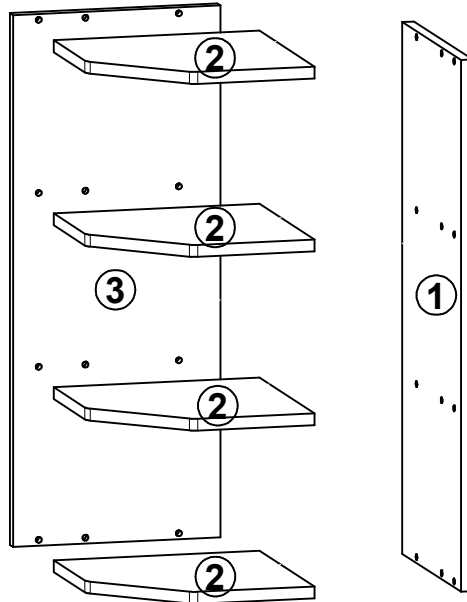
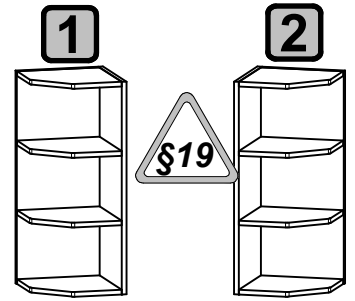


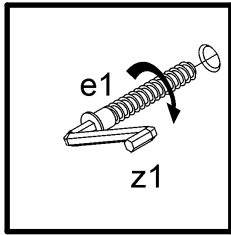
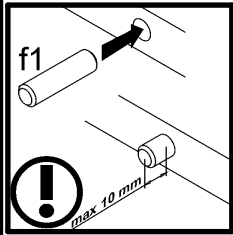
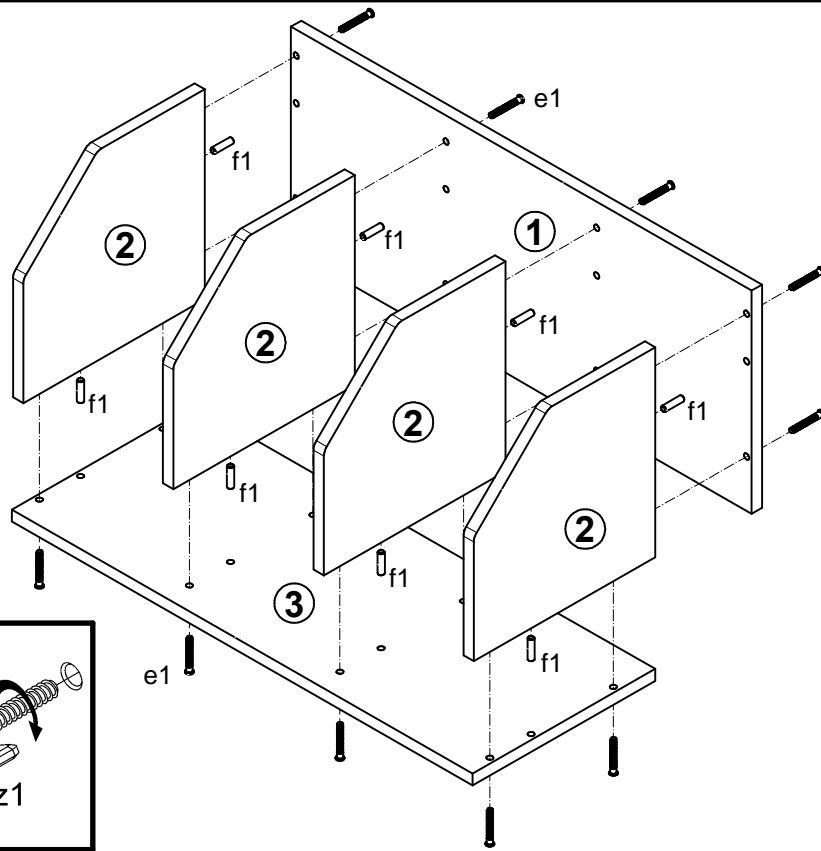
FAMILY LINE

K10-GNZ-30/72

| A | B | C | D |
|---|------------|-----|-----|
| 1 | K10-121 | 716 | 300 |
| 2 | K10-382 | 282 | 282 |
| 3 | K10-459-01 | 716 | 284 |



2



3

