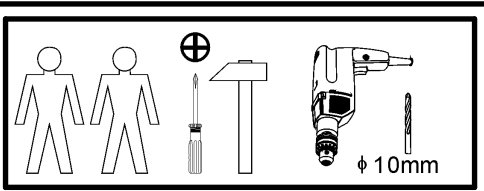
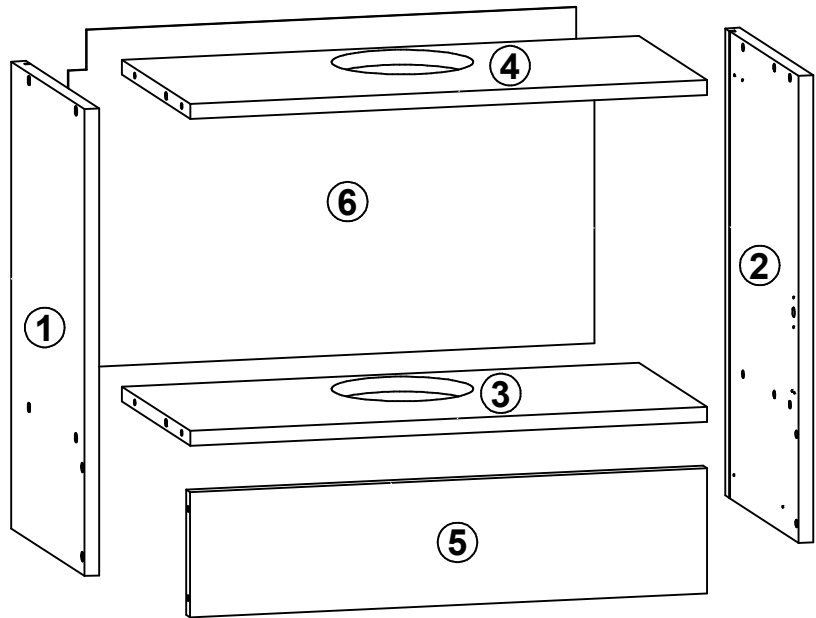
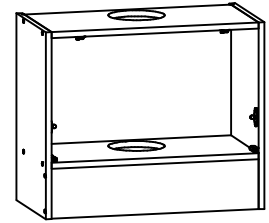


A

FAMILY LINE

K10-GOO-60/50

A	B	C	D
1	K10-175	503	300
2	K10-176	503	300
3	K10-398	567	280
4	K10-399	567	280
5	K10-470	567	135
6	K10-949	363	577



2x a83	2x b32	12x $\phi 7 \times 50$ mm e1	4x $\phi 6,3 \times 13$ mm e2	4x $\phi 8 \times 30$ mm f1	2x $\phi 10 \times 50$ mm f35	4x M4x12 mm j45/1	2x j45/2	15x l1
2x m25/2	2x m25/9	2x 50 N m25/7	2x m32	2x m34	2x n122	4x $\phi 3,5 \times 13$ mm p1	4x $\phi 4 \times 30$ mm p21	12x $\phi 3,5 \times 15$ mm p51
2x $\phi 6 \times 60$ mm p75	12x s1	1x z1						

