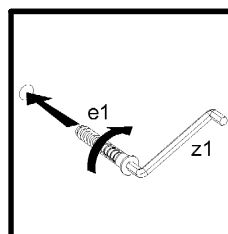
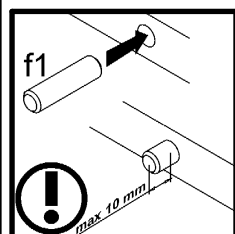
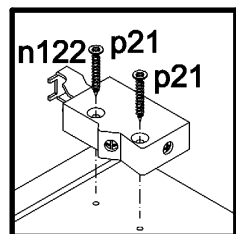
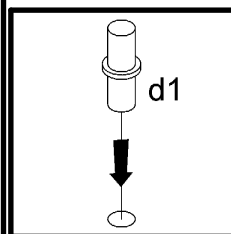
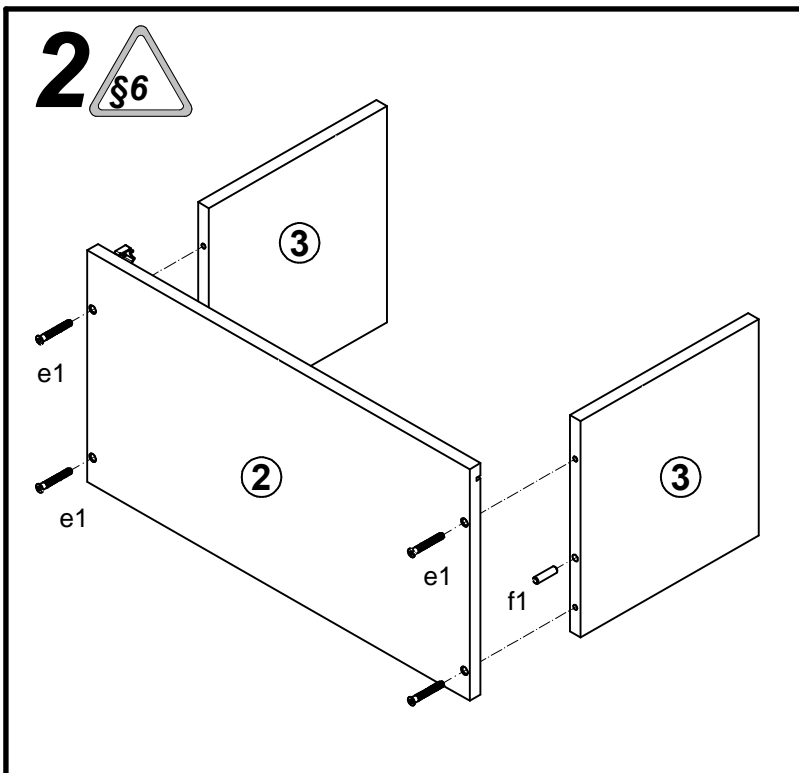
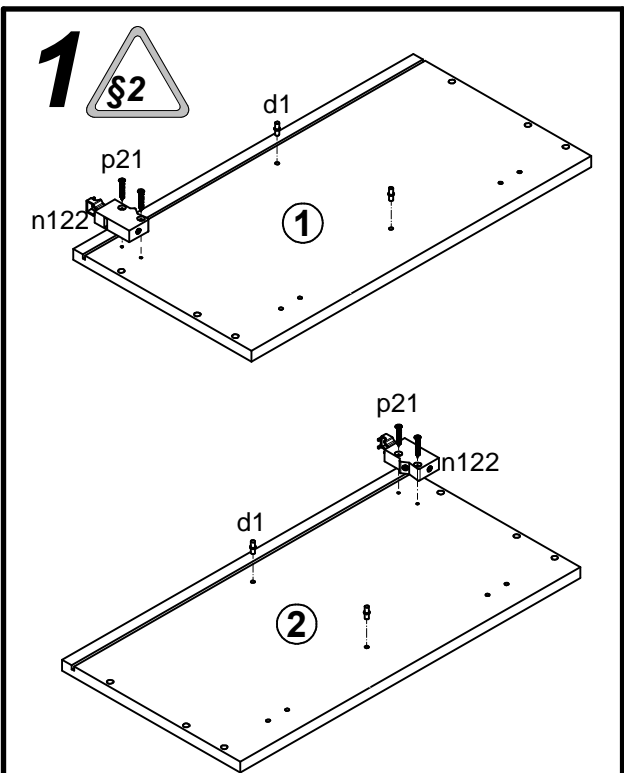
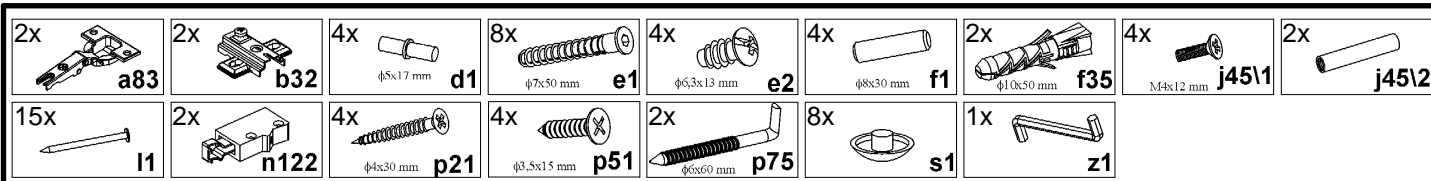
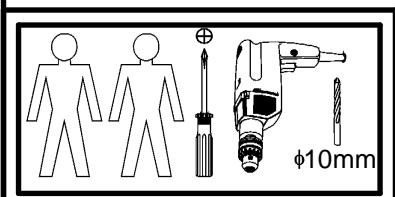
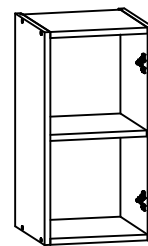
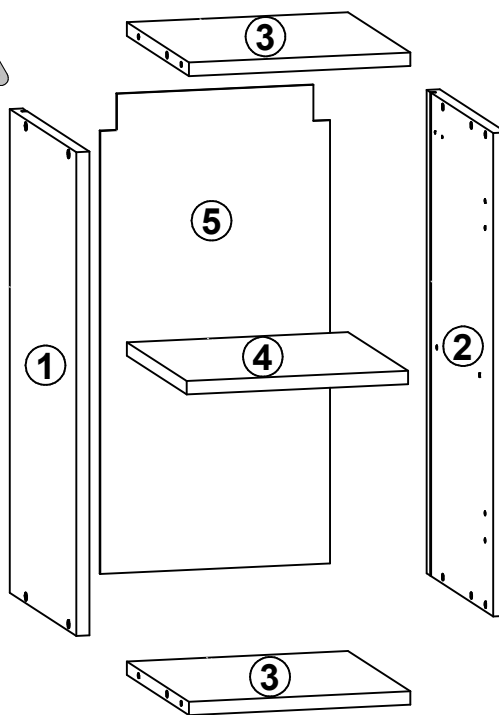


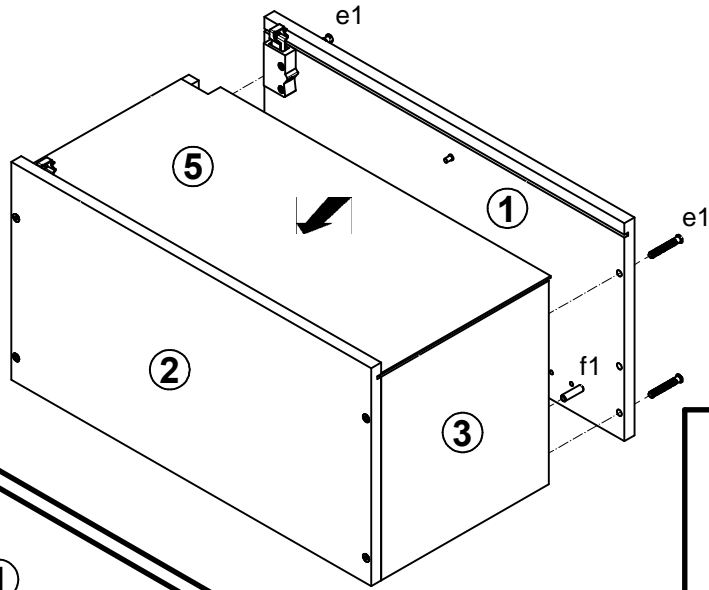
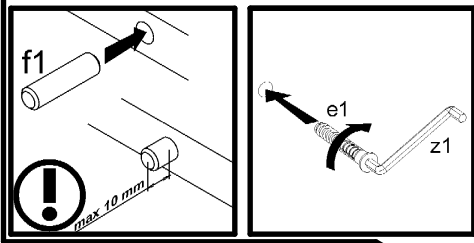
# FAMILY LINE

# K10-G-30/57

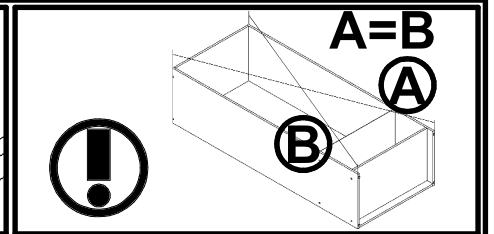
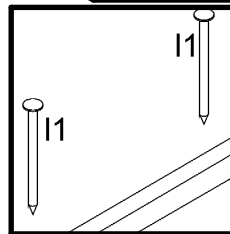
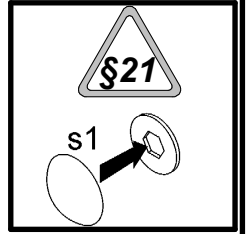
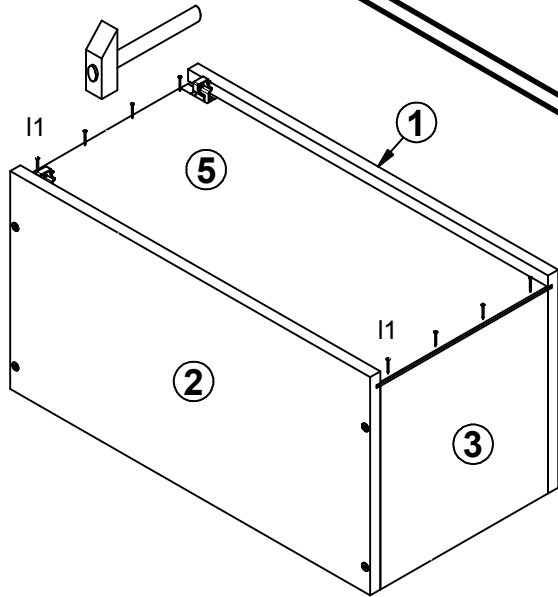
A	B	C	D	
1	K10-140	573	300	1/2
2	K10-141	573	300	1/2
3	K10-301	267	280	1/2
4	K10-302	267	270	1/2
5	K10-931	568	277	1/2



# 3



# 4



# 5

