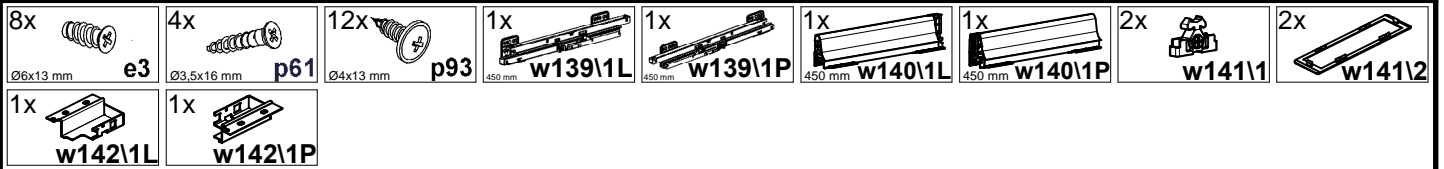
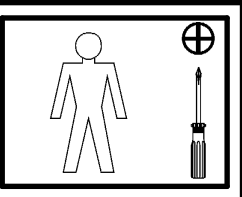
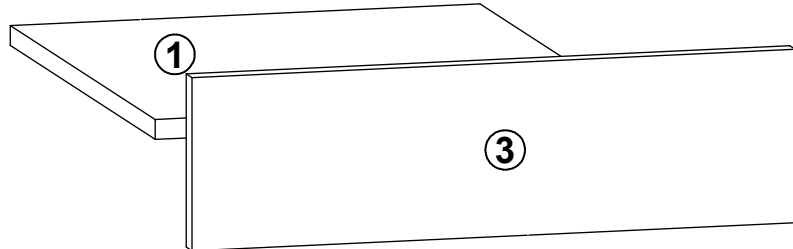
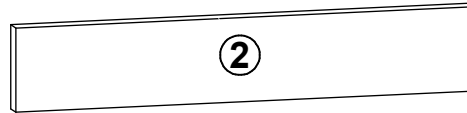
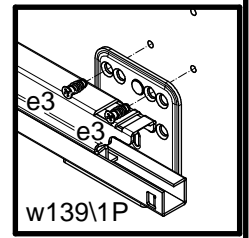
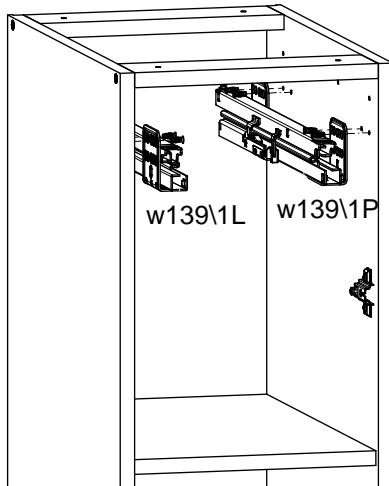
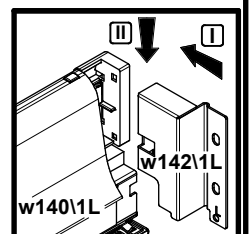
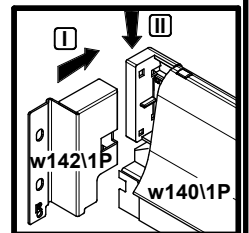
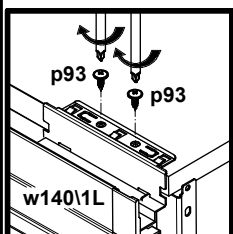
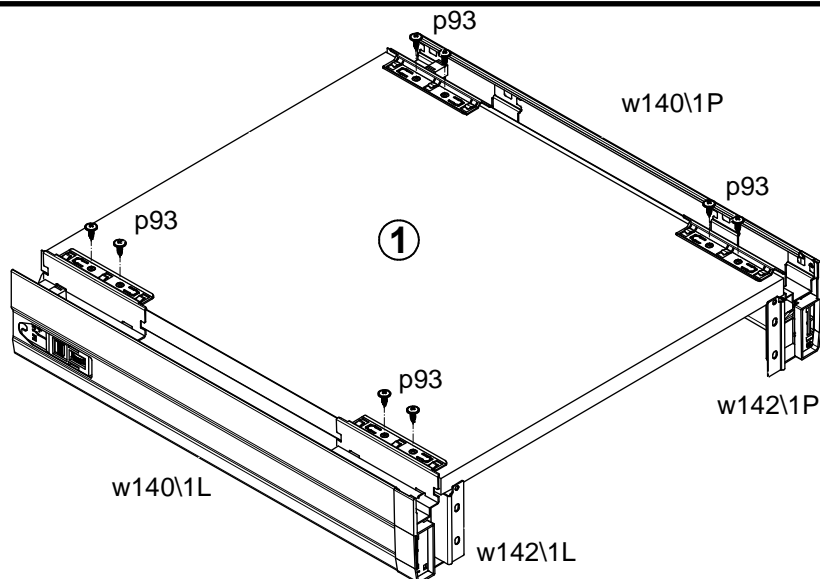


**A****FAMILY LINE****K10-SMARTBOX\_50N**

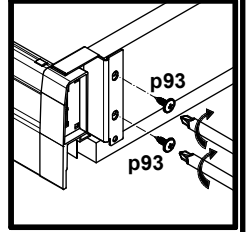
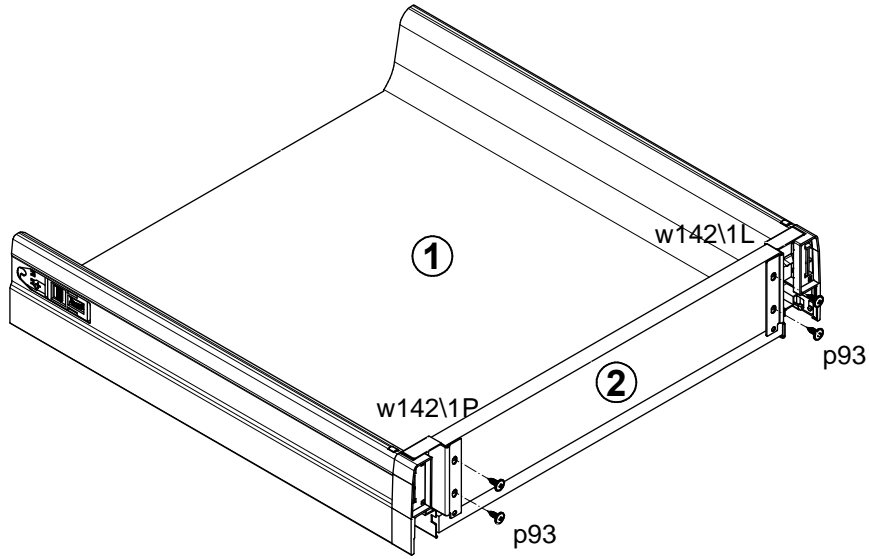
| A | B        | C   | D   |
|---|----------|-----|-----|
| 1 | K10-1309 | 386 | 445 |
| 2 | K10-1310 | 377 | 68  |



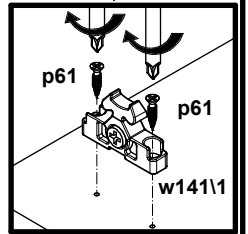
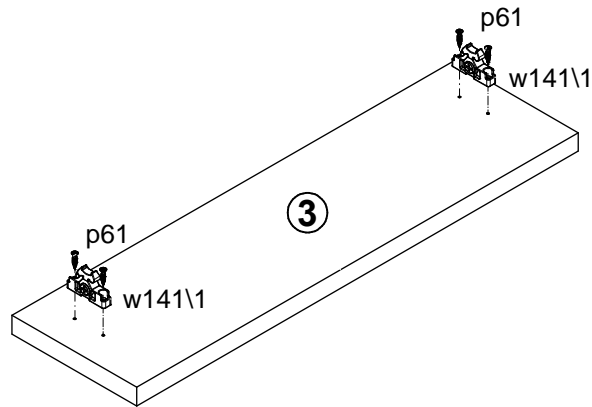
| A | B | C   | D   |
|---|---|-----|-----|
| 3 | - | 496 | 140 |

**1****2**

# 3



# 4



# 5

