

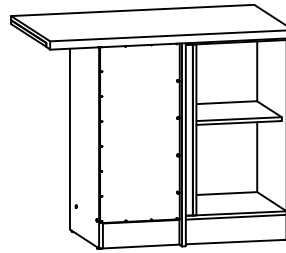
# Junona Line

# K22-DNW/100/82-L/P

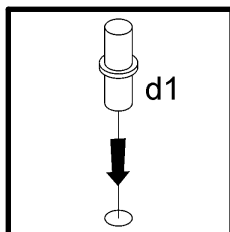
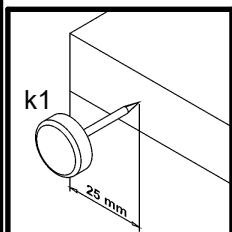
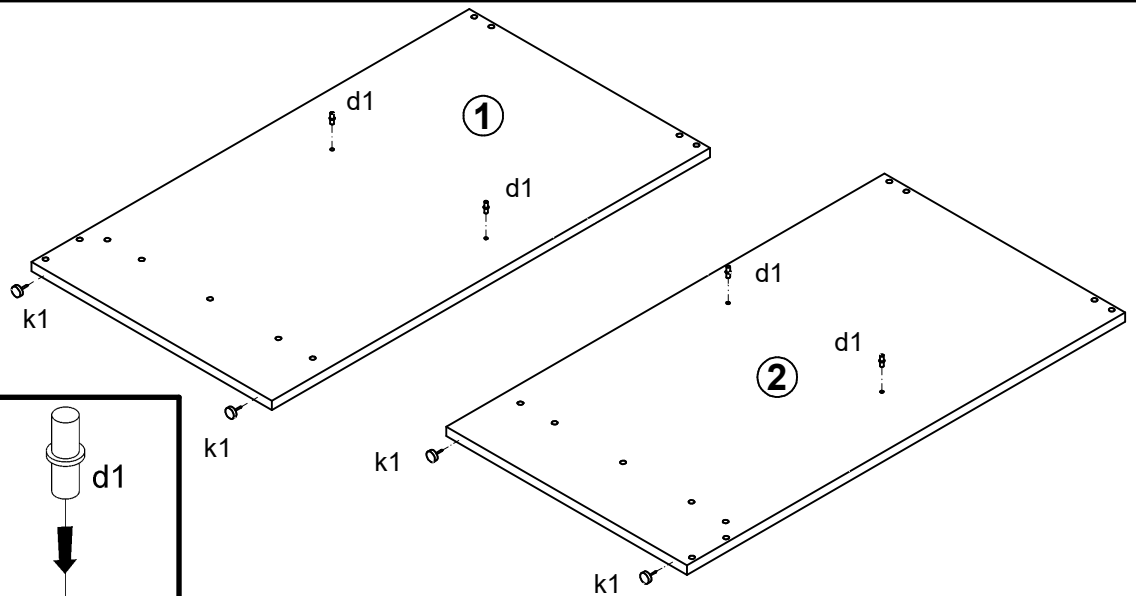
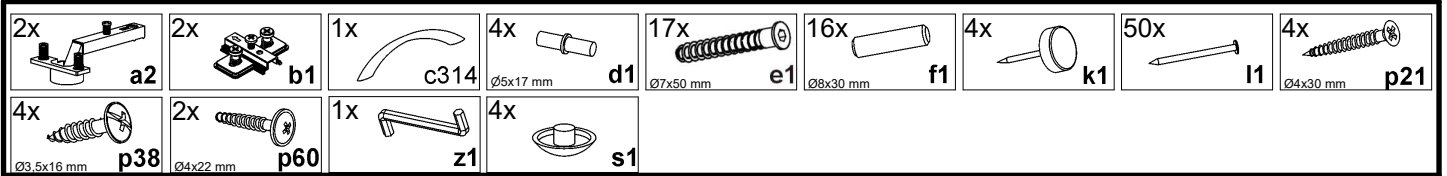
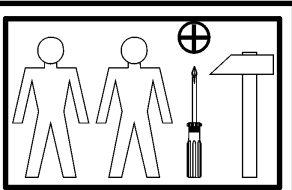
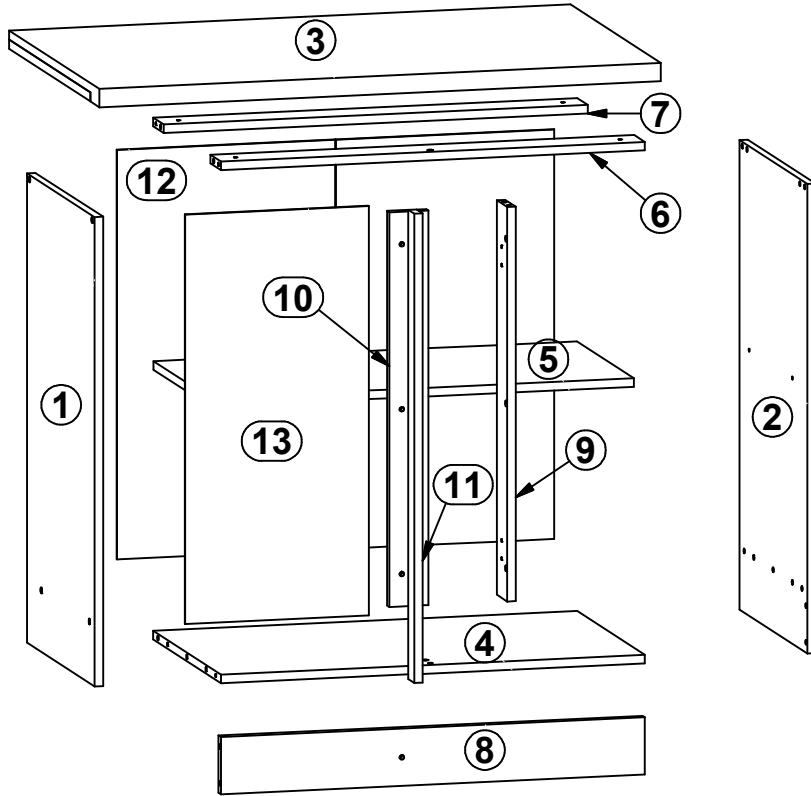
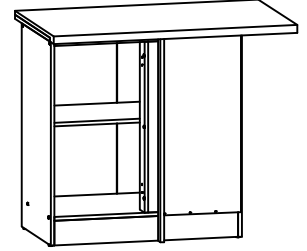
A	B	C	D
1	K22-105	820	450
2	K22-106	820	450
3	K22-202	1000	600
4	K22-305	755	450
5	K22-306	754	378
6	K22-405	755	70
7	K22-406	755	70
8	K22-407	755	100
9	K22-408	689	70
10	K22-409	689	70
11	K22-410	820	40
12	K22-903	715	779
13	K22-905	715	327



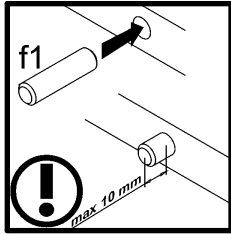
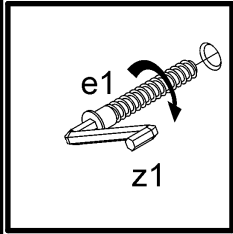
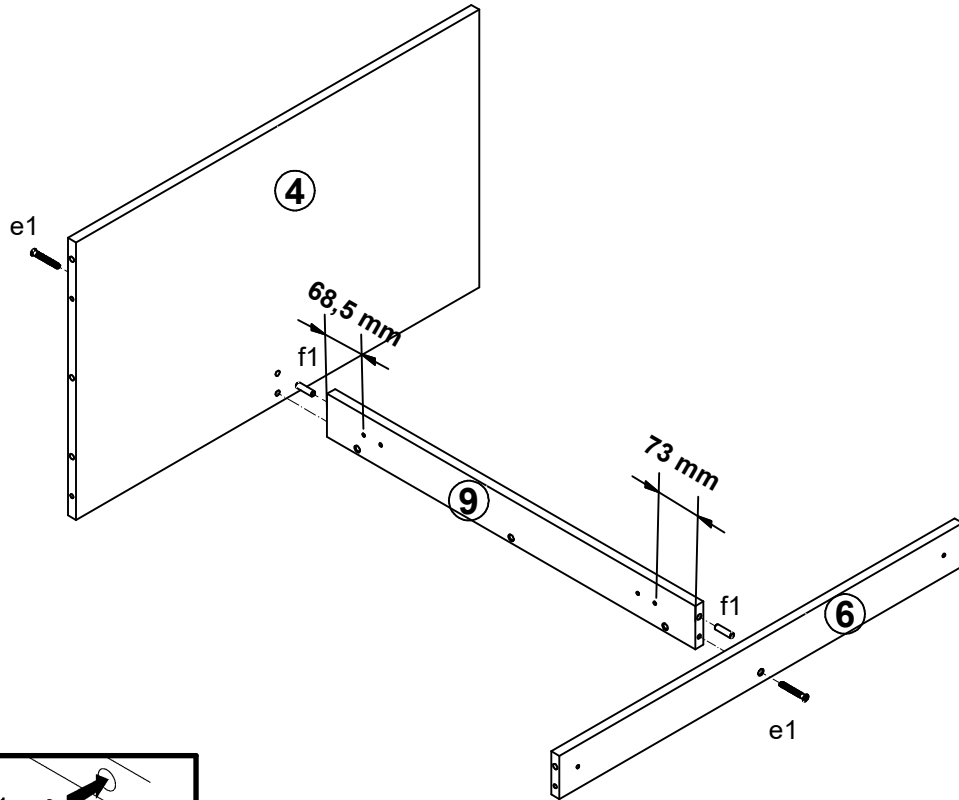
K22-DNW\_100\_82-L



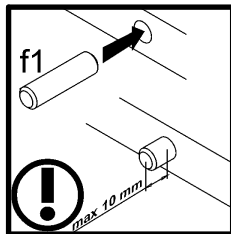
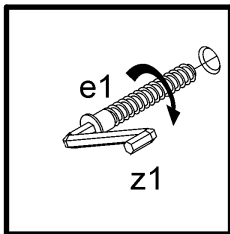
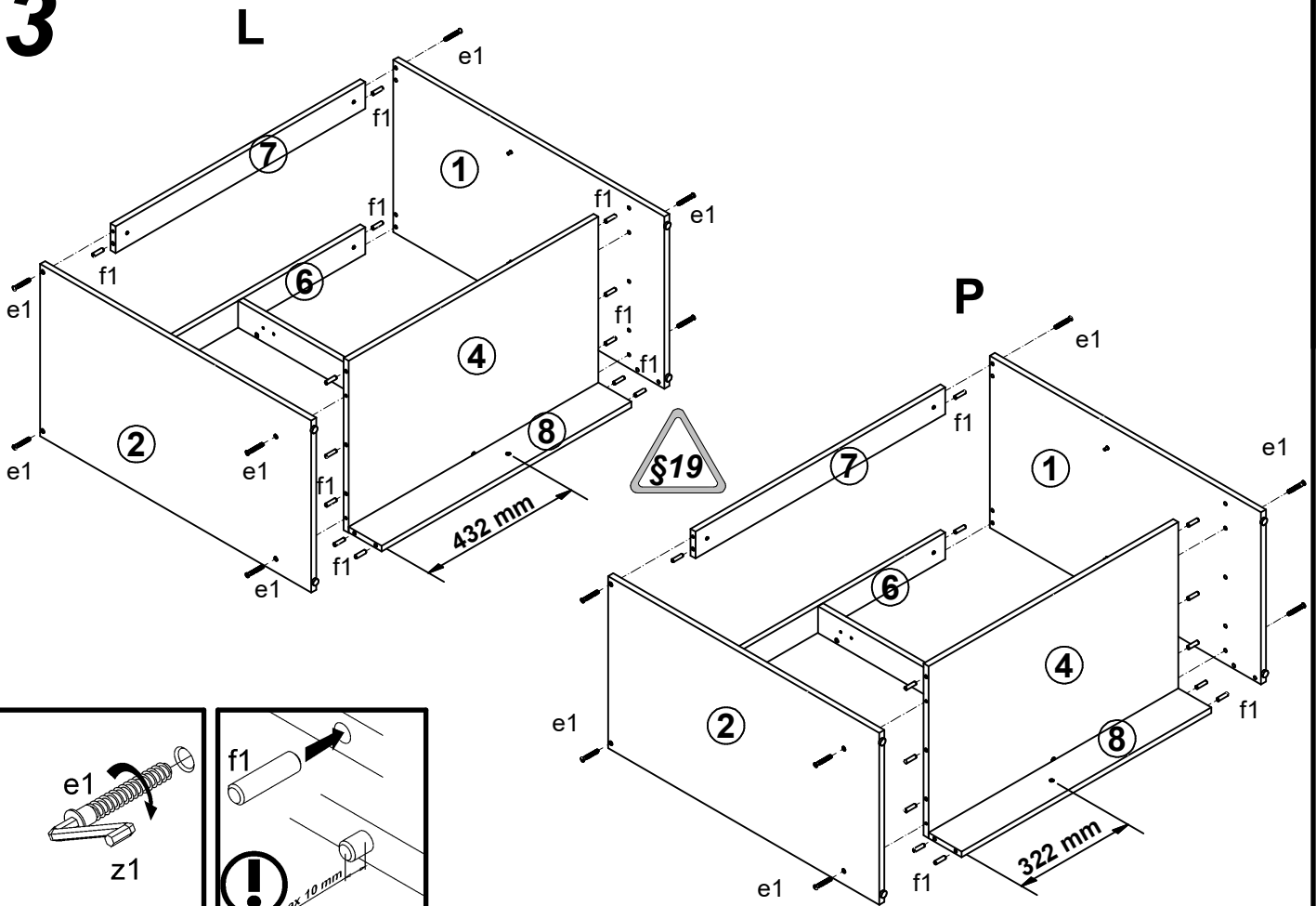
K22-DNW\_100\_82-P



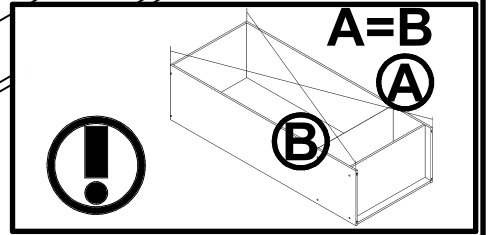
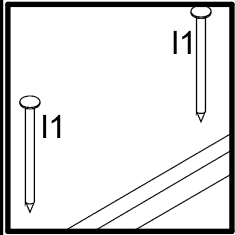
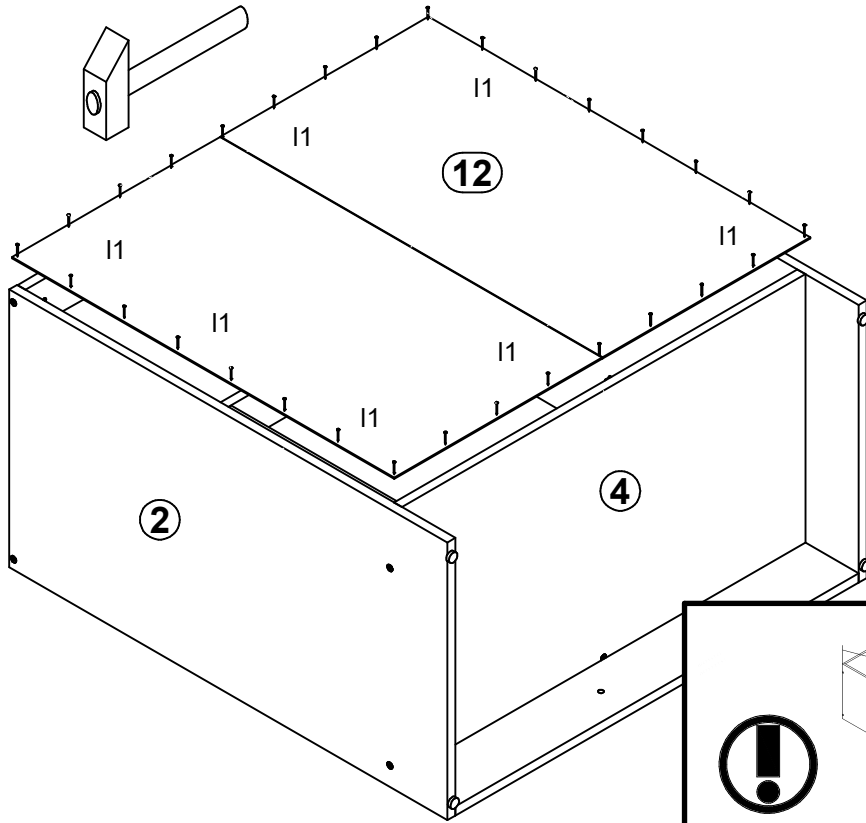
# 2



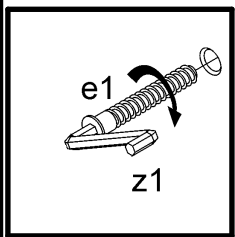
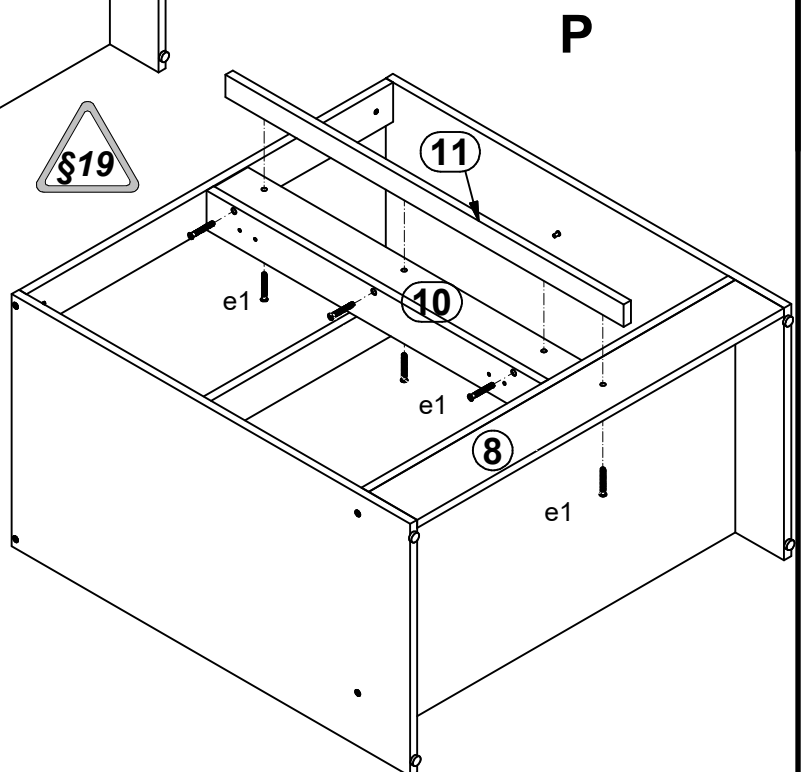
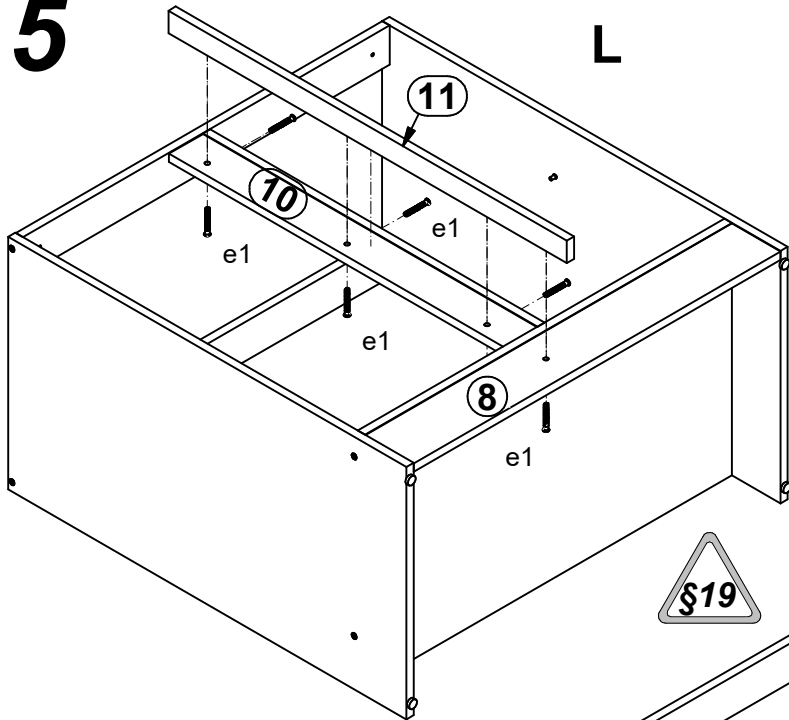
# 3



# 4

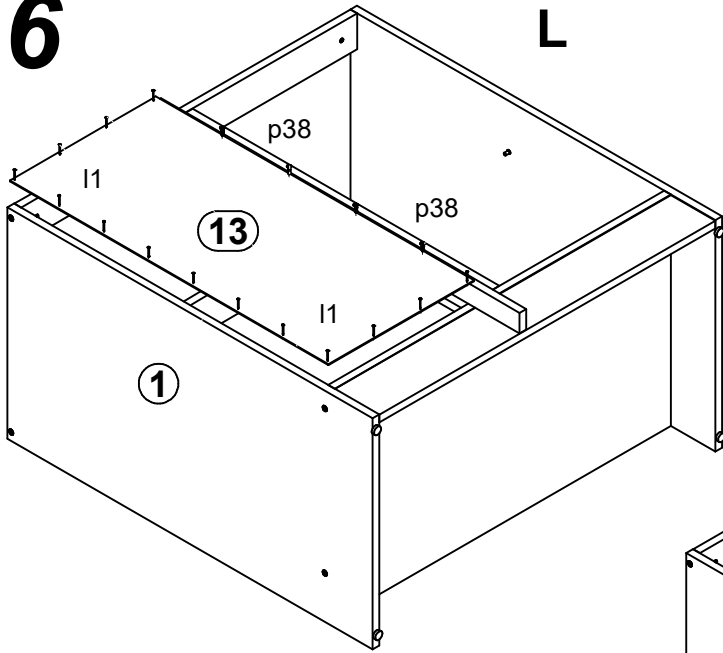


# 5

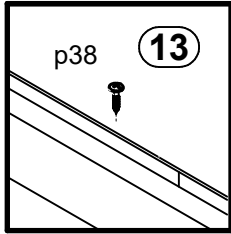
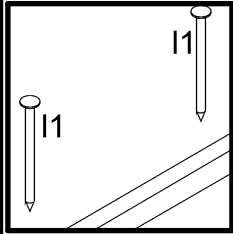
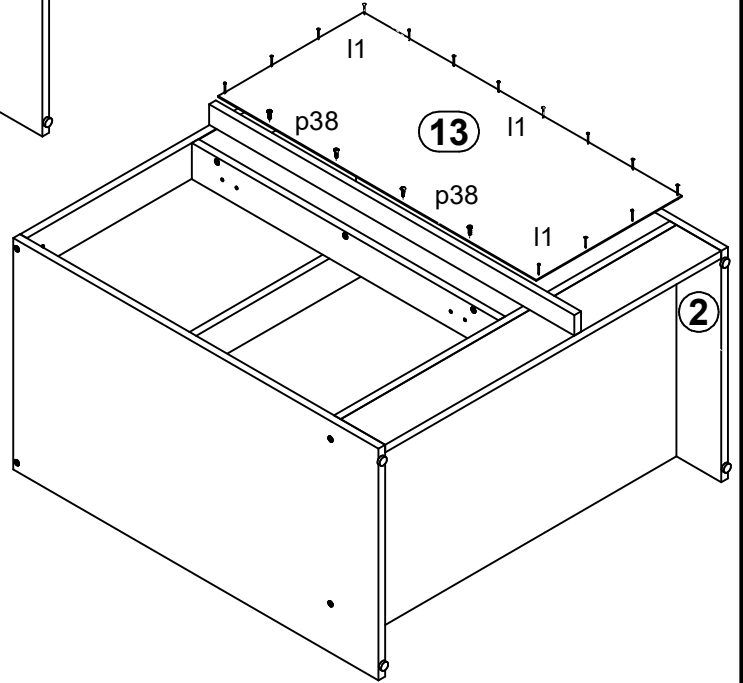


# 6

## L

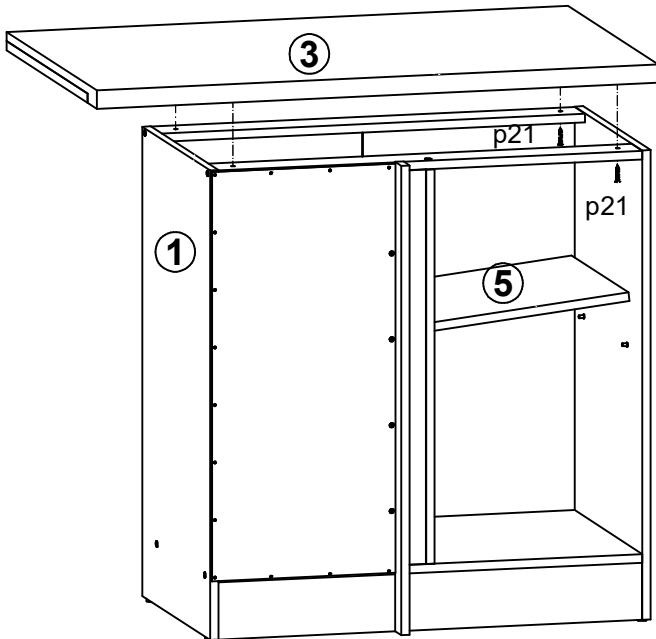


## P



# 7

## L



## P

