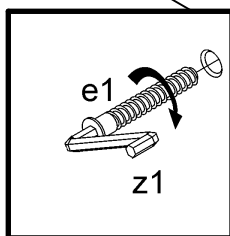
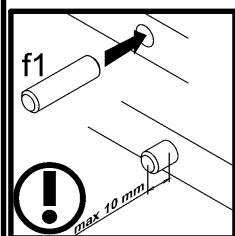
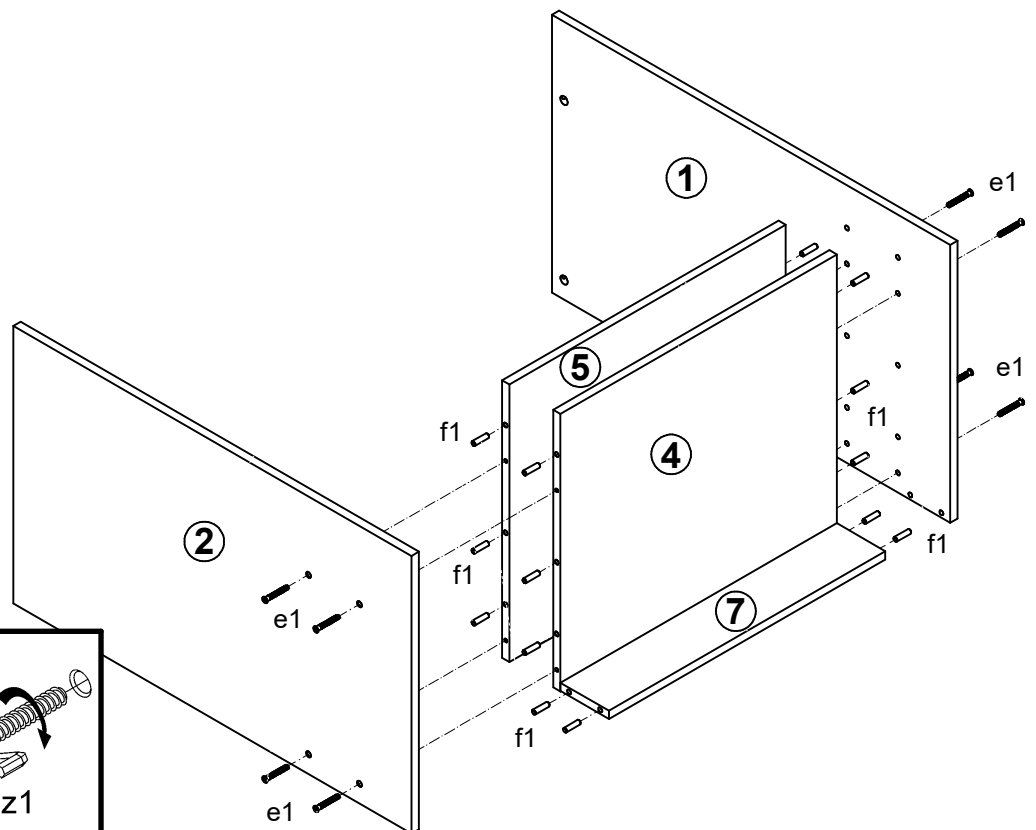
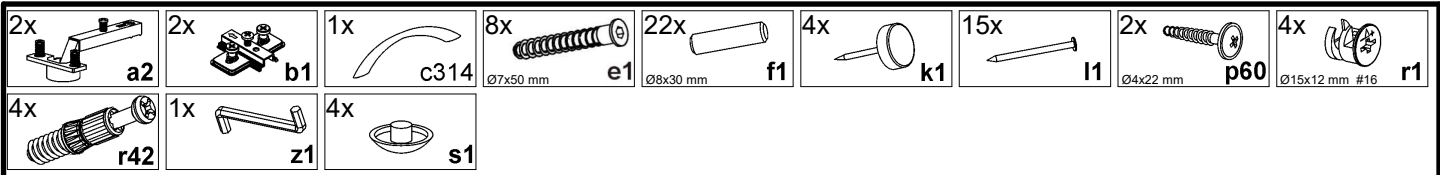
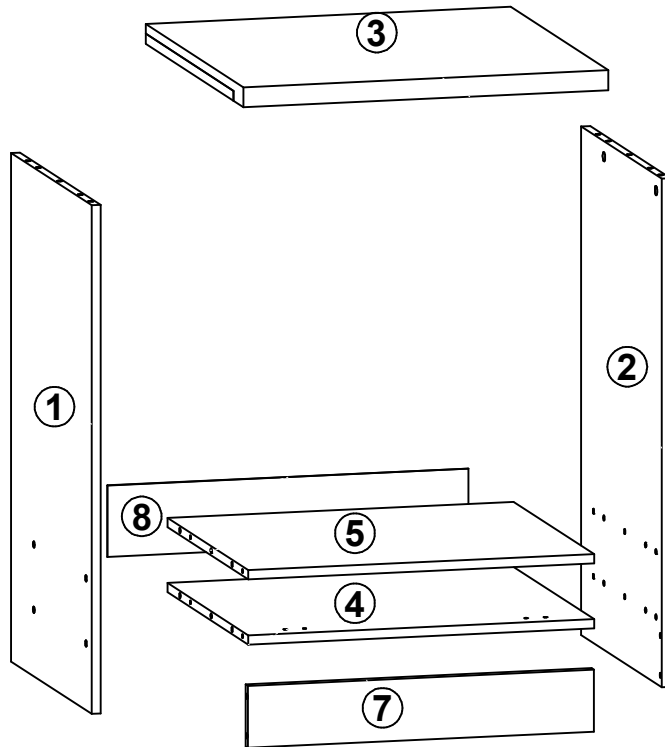
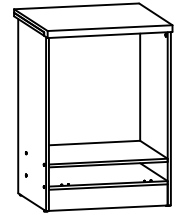


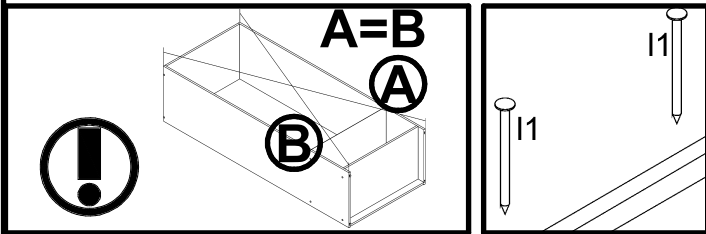
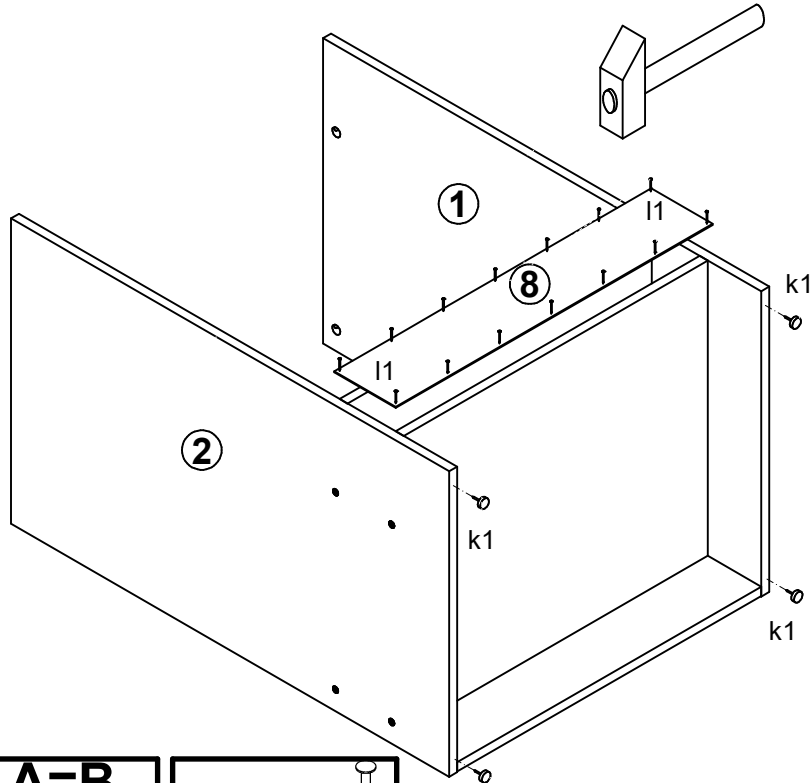
Junona Line

K22-DPK/60/82

A	B	C	D
1	K22-124 A	820	495
2	K22-125 A	820	495
3	K22-207	600	600
4	K22-339	569	495
5	K22-340	569	495
7	K22-423	569	100
8	K22-925	593	115



2 



3

