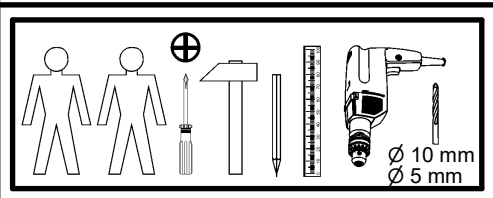
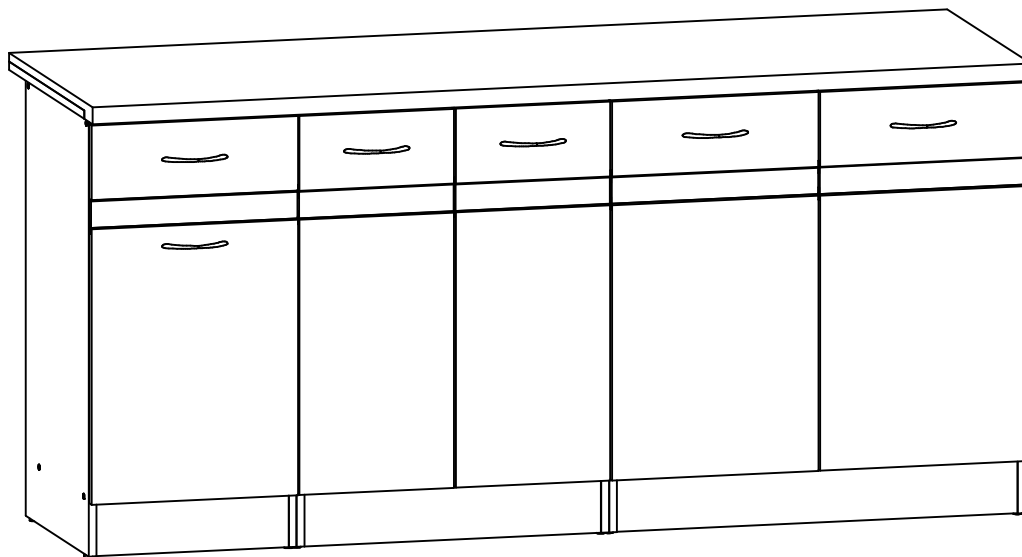
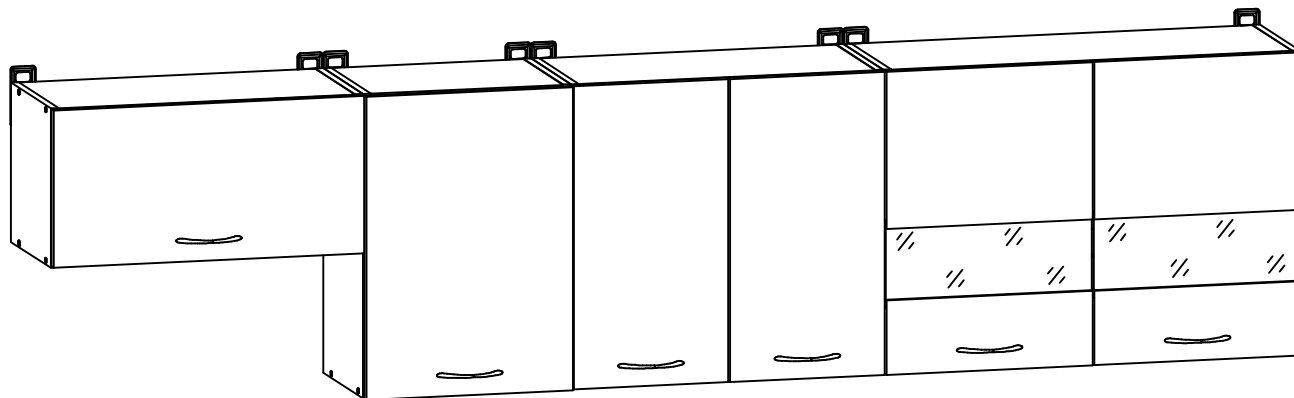
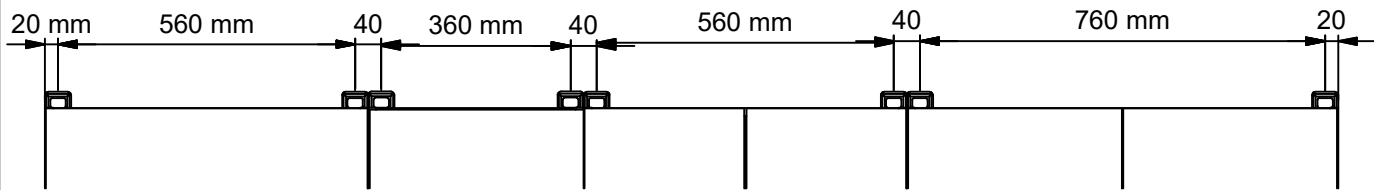


A

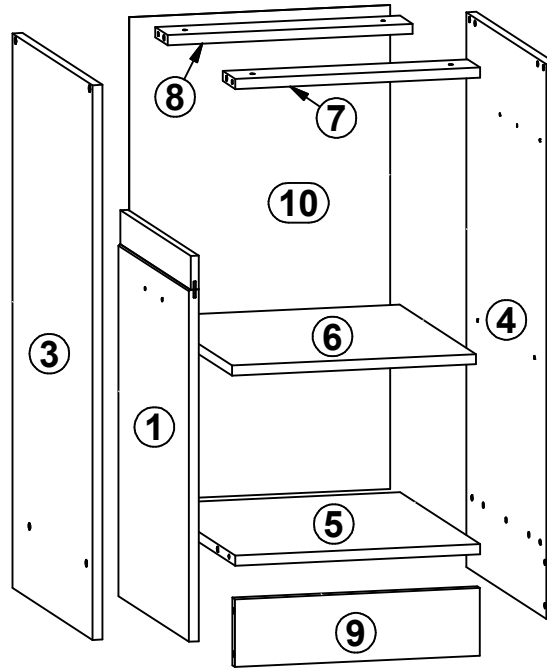
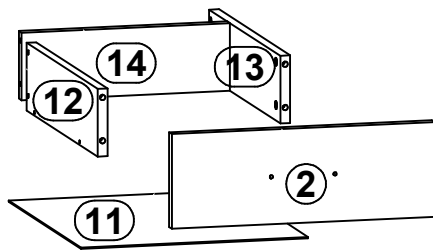
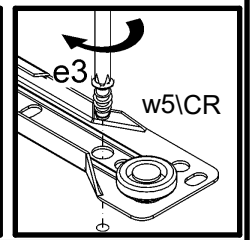
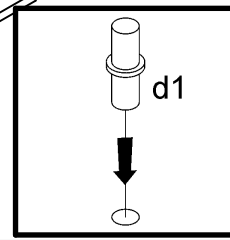
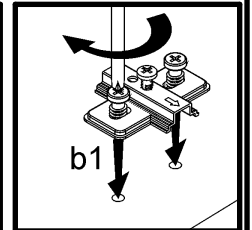
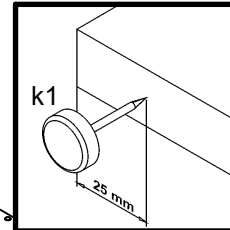
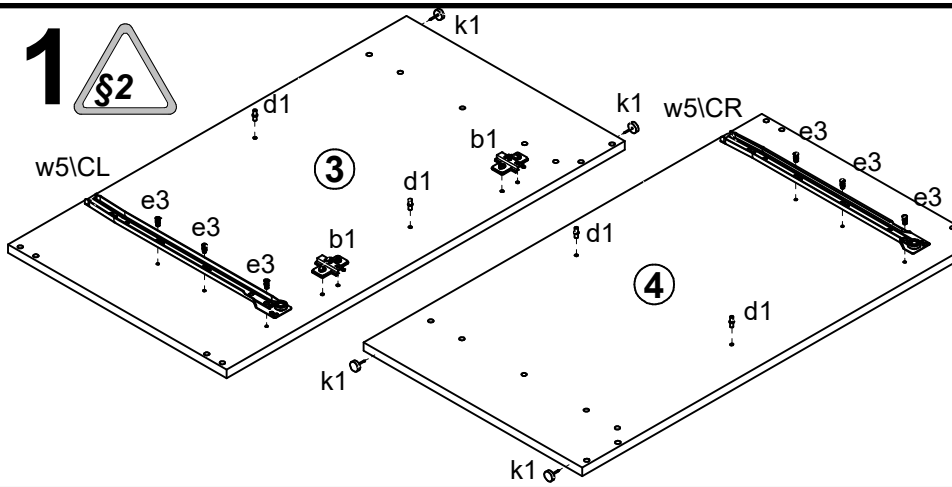
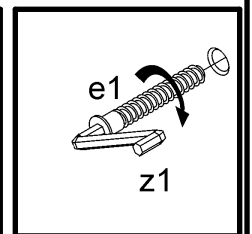
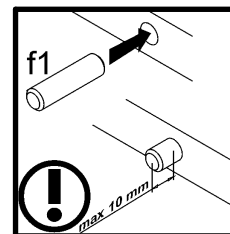
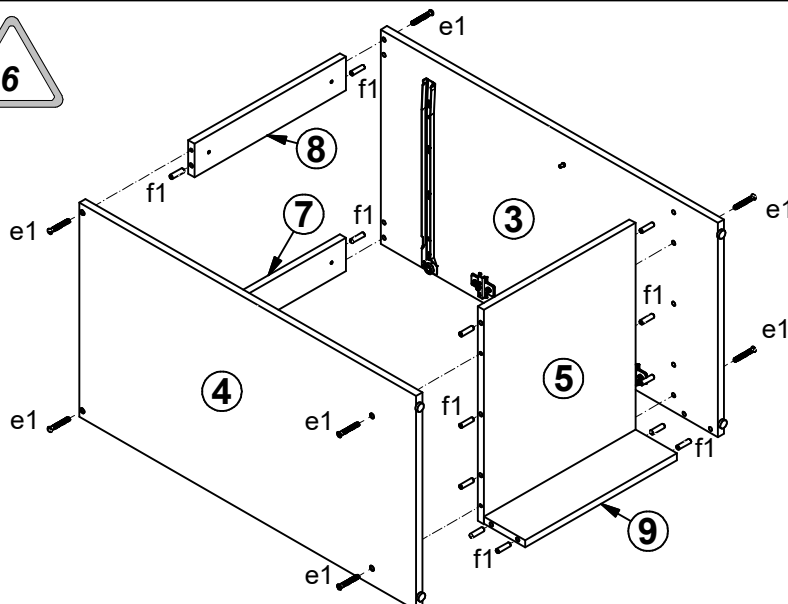
K22-JUNONA\240\BL180

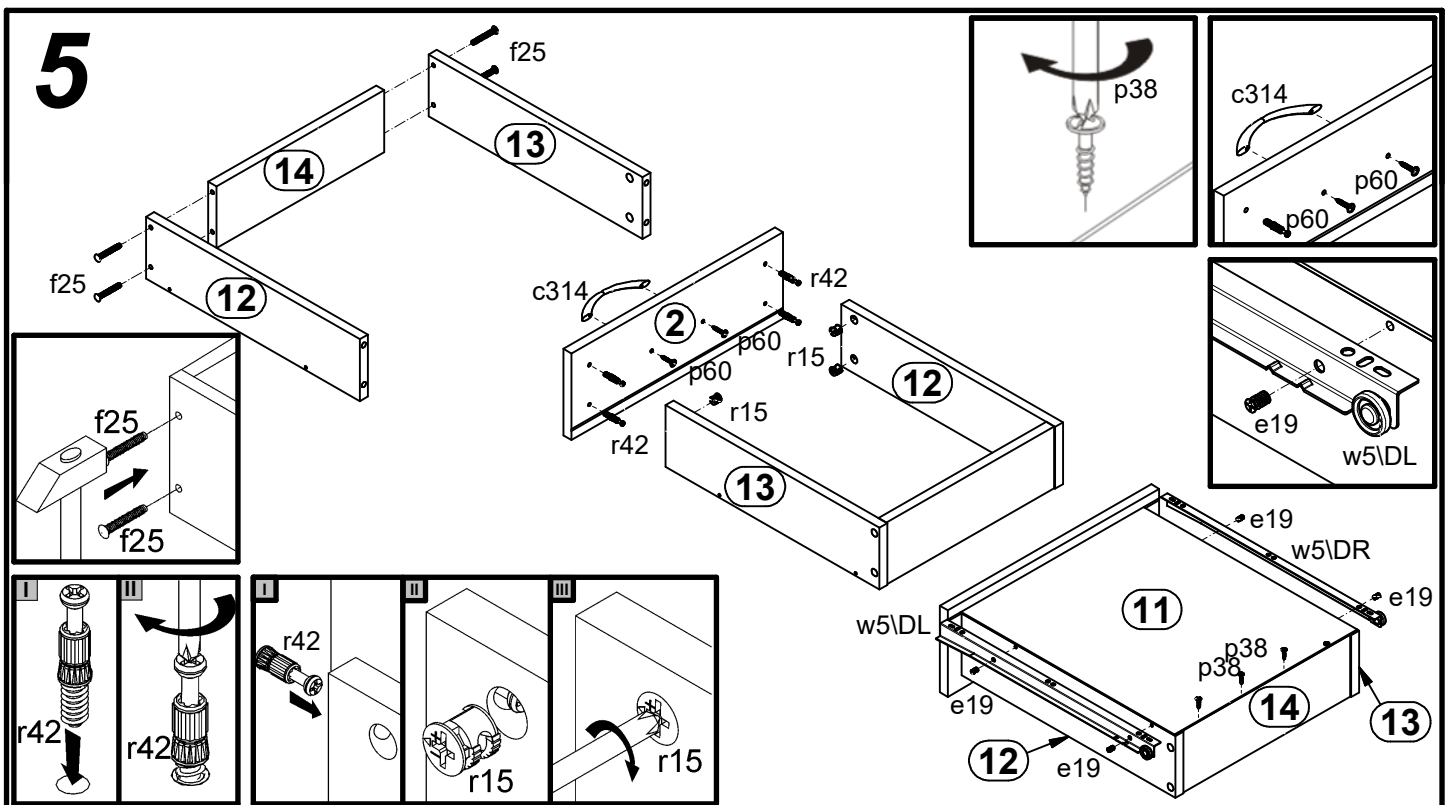
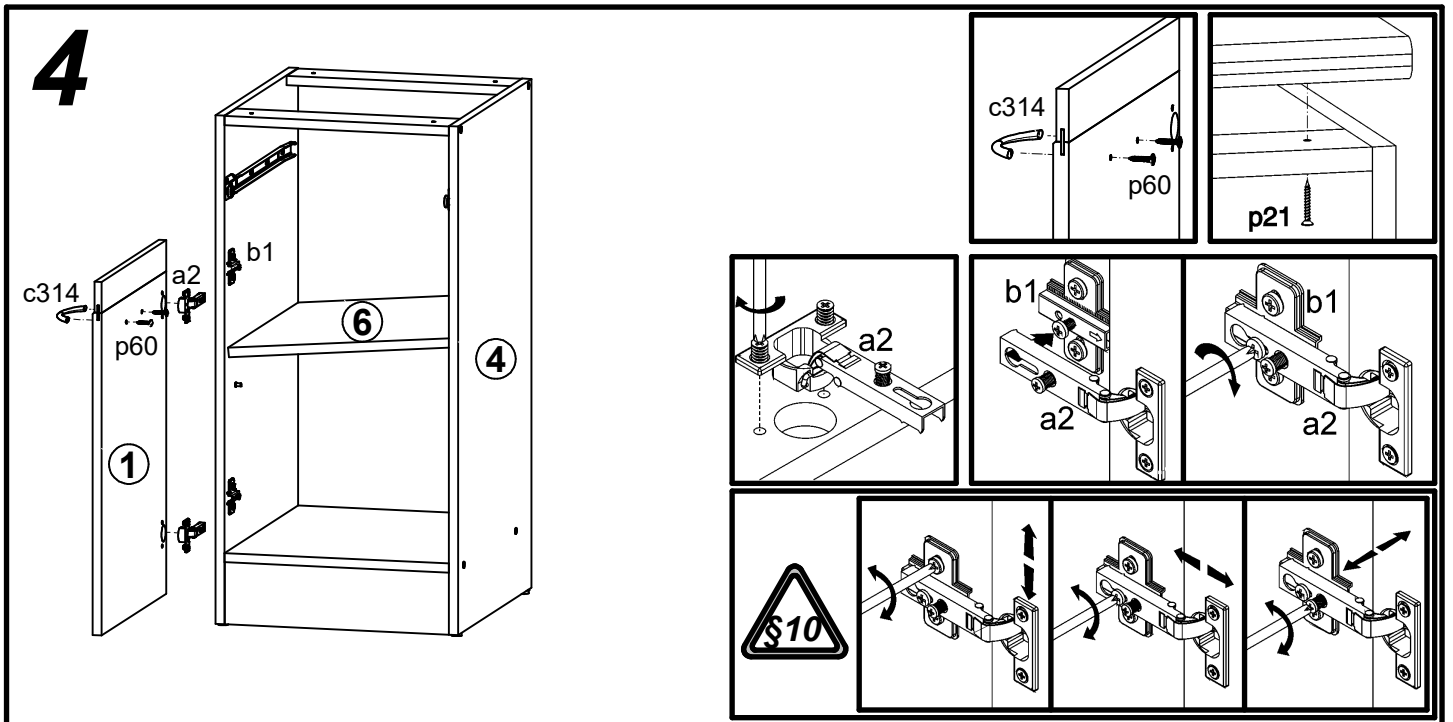
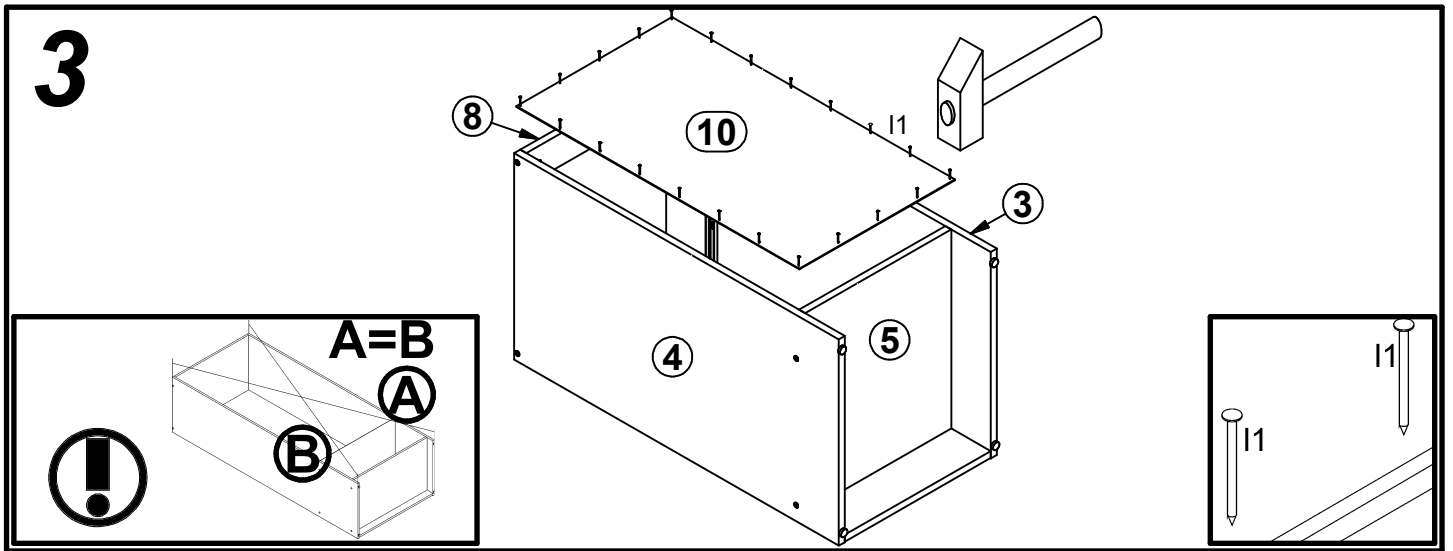


22x a2	22x b1	12x c314	20x d1 φ5x17 mm	56x e1 φ7x50 mm	4x e19 φ5x9 mm	6x e3 φ6x13 mm	58x f1 φ8x30 mm	4x f25 φ6.5x40 mm
8x f35 φ10x50 mm	12x k1	175x l1	1x m5\1L	1x m5\2	2x n14\2 88x21x15\1.5	4x n16\L	4x n16\P	2x p1 φ3.5x13 mm
8x p127 Ø6x60 mm	32x p16 φ3.5x25 mm	8x p21 φ4x30 mm	9x p38 Ø3.5x16 mm	1x p48 φ3x25 mm	24x p60 φ4x22 mm	4x r15 Ø12x10.5 mm #12	4x r42	1x w5\CL 400 mm
1x w5\CR 400 mm	1x w5\DL 400 mm	1x w5\DR 400 mm	28x s1	2x z1				

A**JUNONA LINE****K22-D1D1S/40/82**

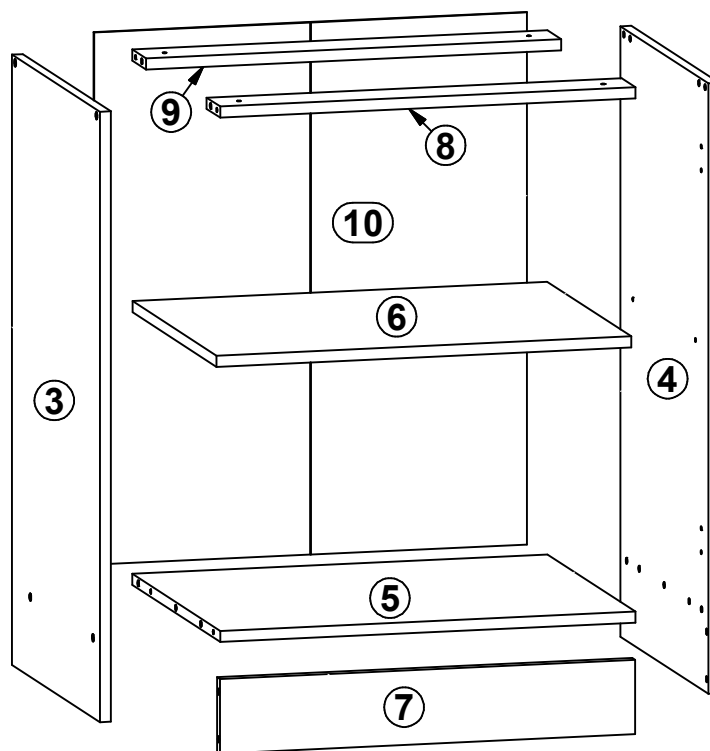
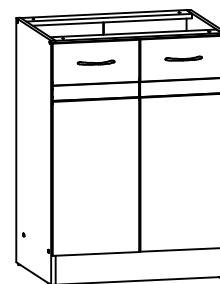
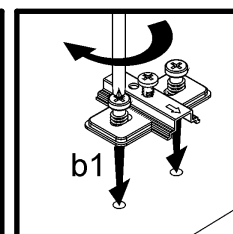
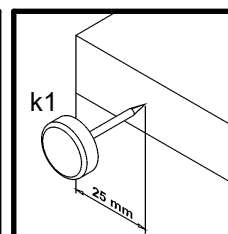
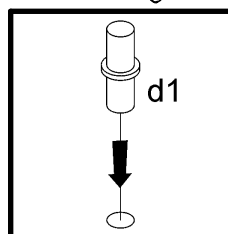
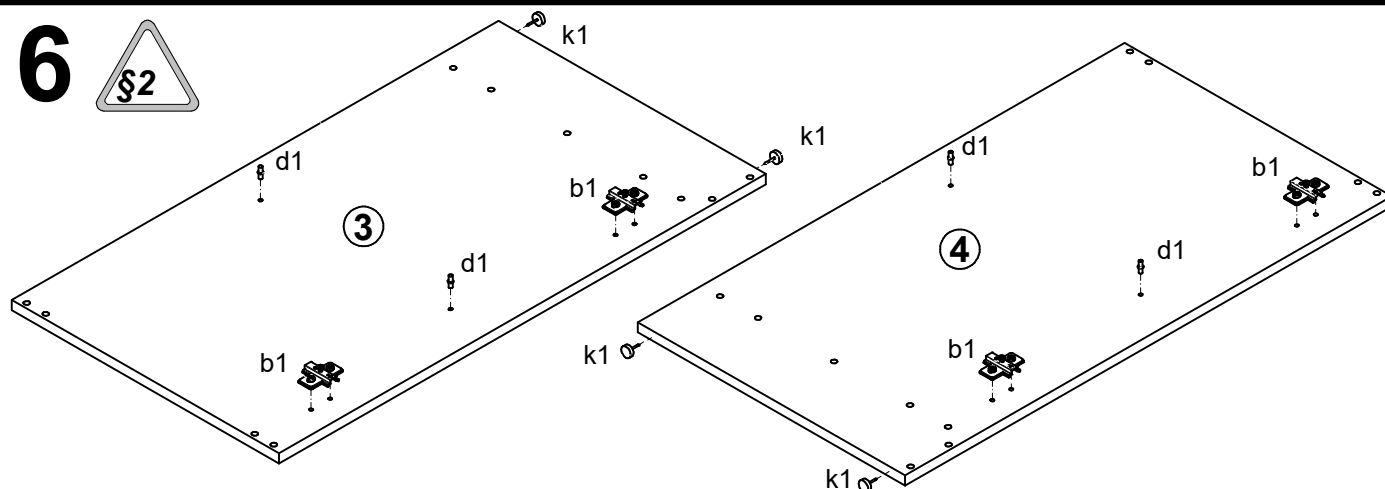
A	B	C	D
1	K22-024	396	570
2	K22-032	396	140
3	K22-103	820	450
4	K22-104	820	450
5	K22-307	369	450
6	K22-308	368	430
7	K22-411	369	70
8	K22-412	369	70
9	K22-413	369	100
10	K22-906	715	393
11	K22-922	406	342
12	K24-501	400	100
13	K24-502	400	100
14	ZS3-5527	503	100

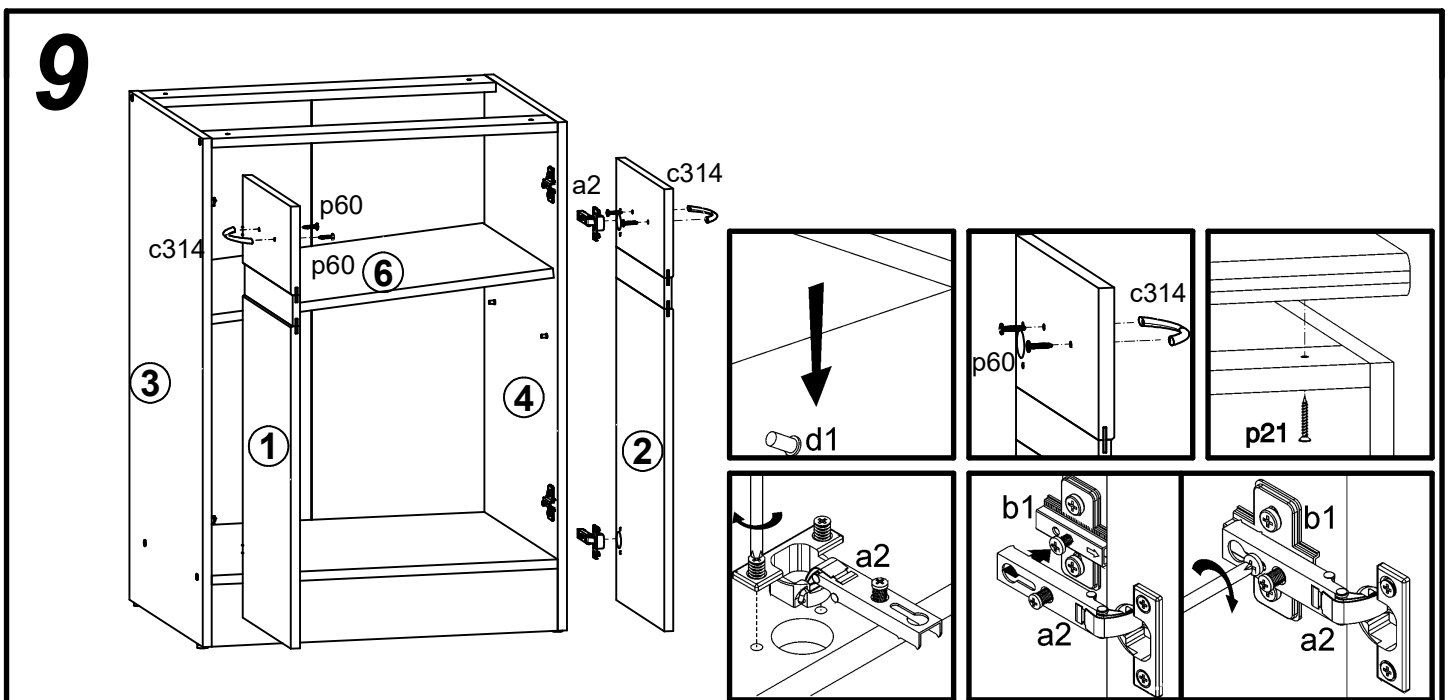
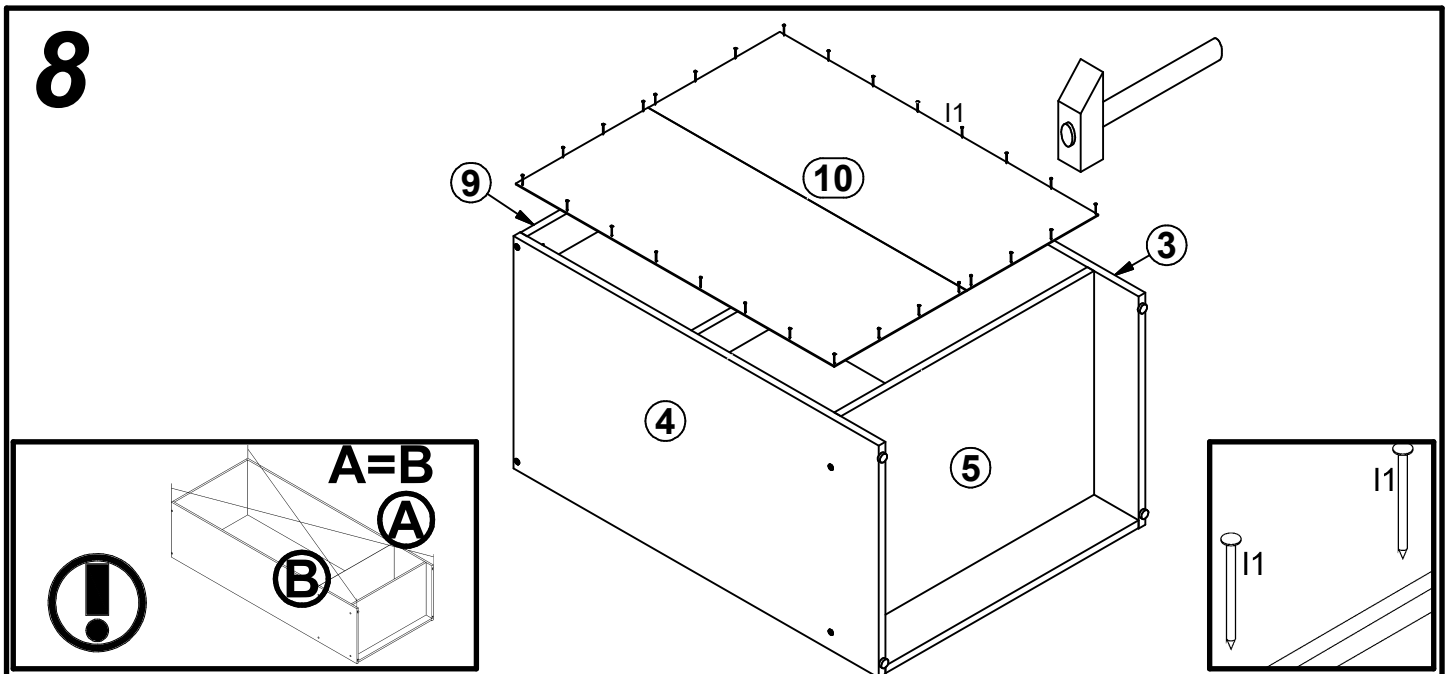
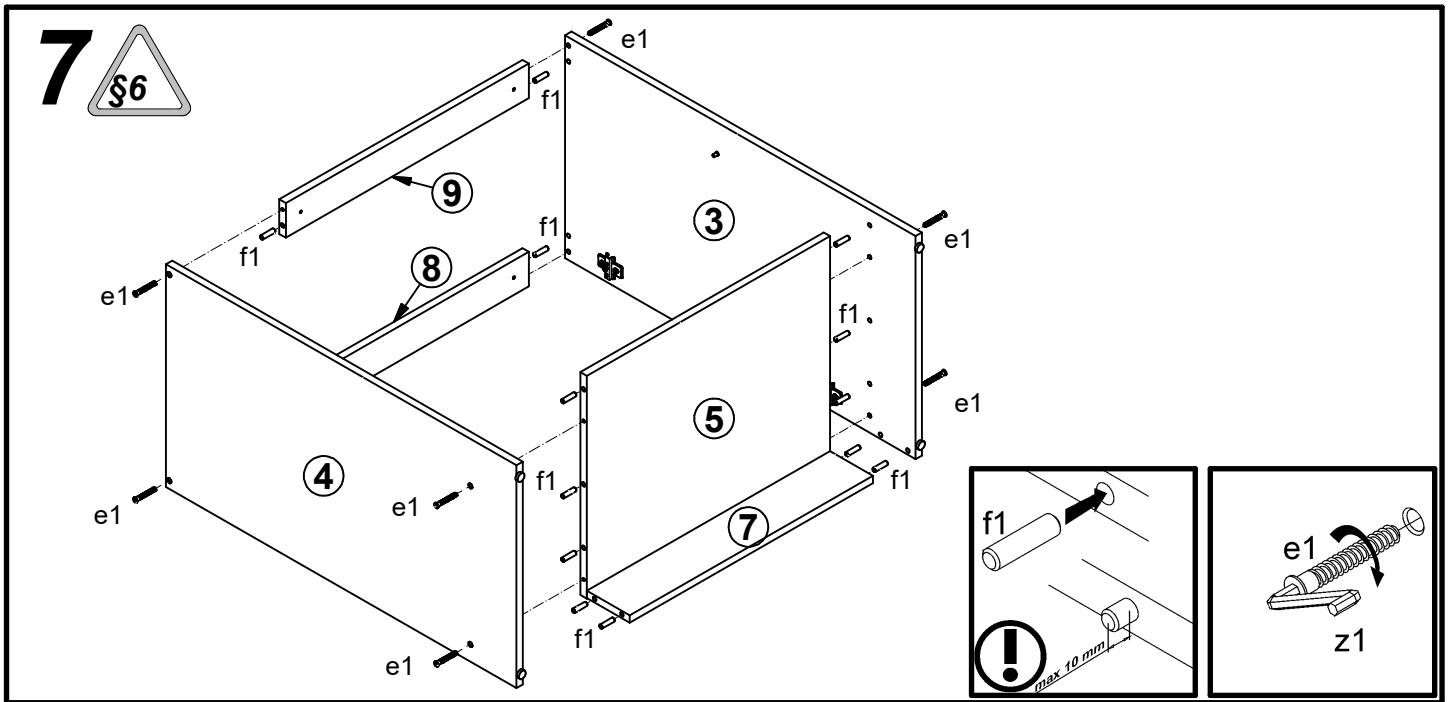
**1****2**



A**JUNONA LINE****K22-D2D/60/82**

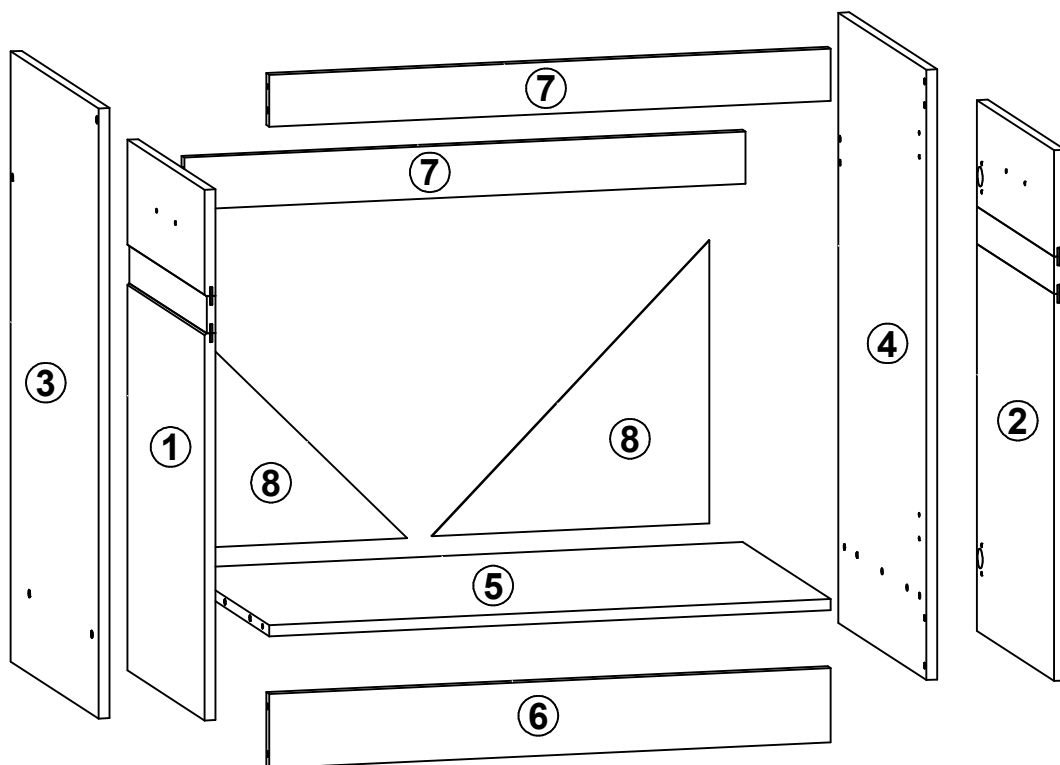
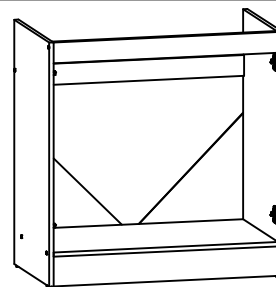
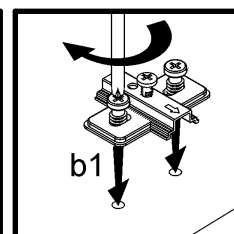
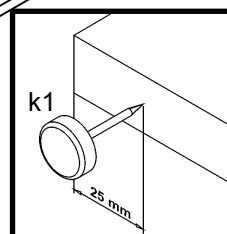
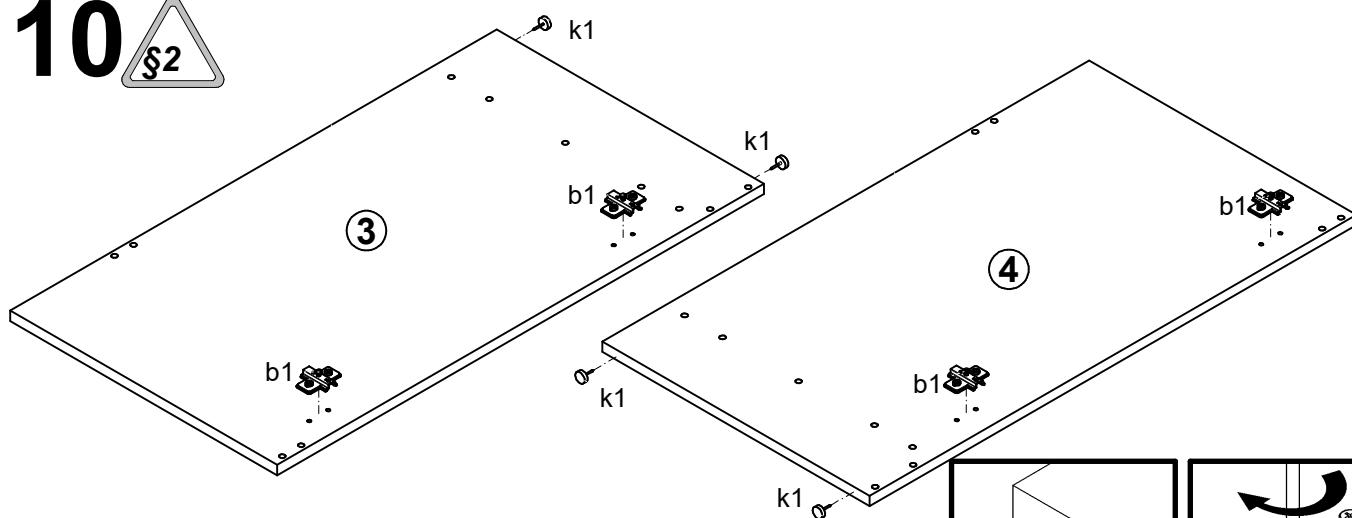
A	B	C	D
1	K22-026	296	713
2	K22-027	296	713
3	K22-107	820	450
4	K22-108	820	450
5	K22-341	569	450
6	K22-342	568	430
7	K22-423	569	100
8	K22-424	569	70
9	K22-425	569	70
10	K22-926	715	593

**6**

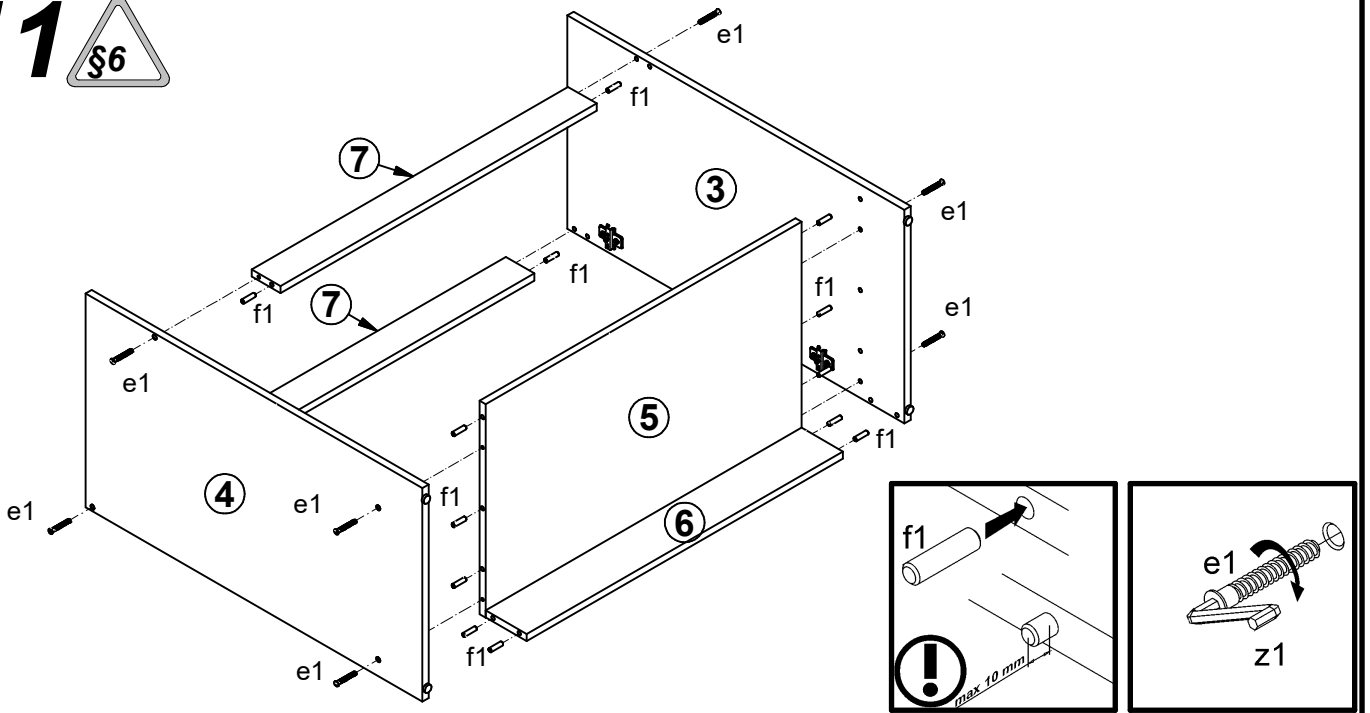


A**JUNONA LINE****K22-DK2D/80/82**

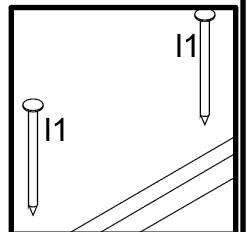
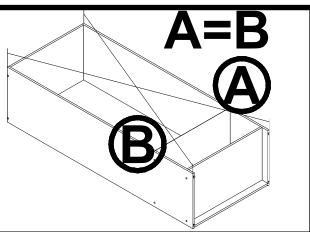
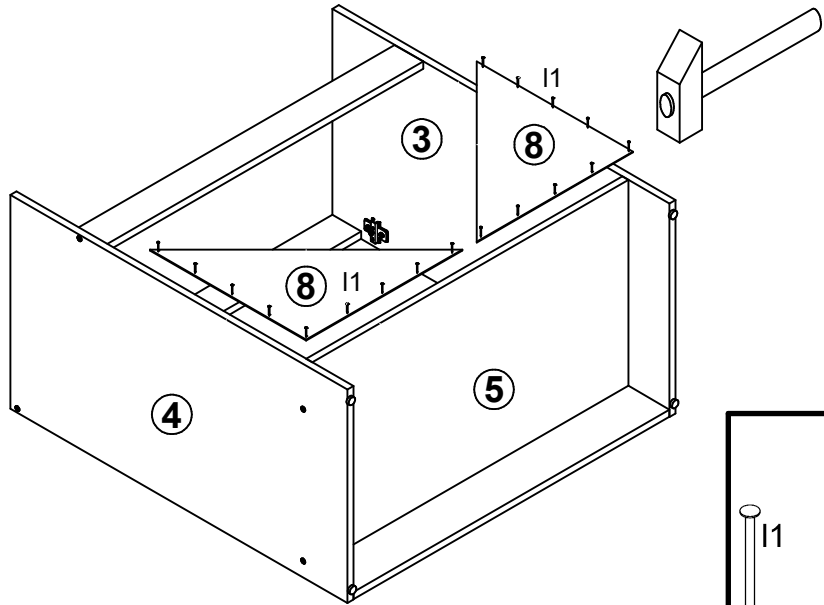
A	B	C	D
1	K22-020	396	713
2	K22-021	396	713
3	K22-116	820	450
4	K22-117	820	450
5	K22-327	769	450
6	K22-417	769	100
7	K22-418	769	70
8	K22-918	380	380

**10**

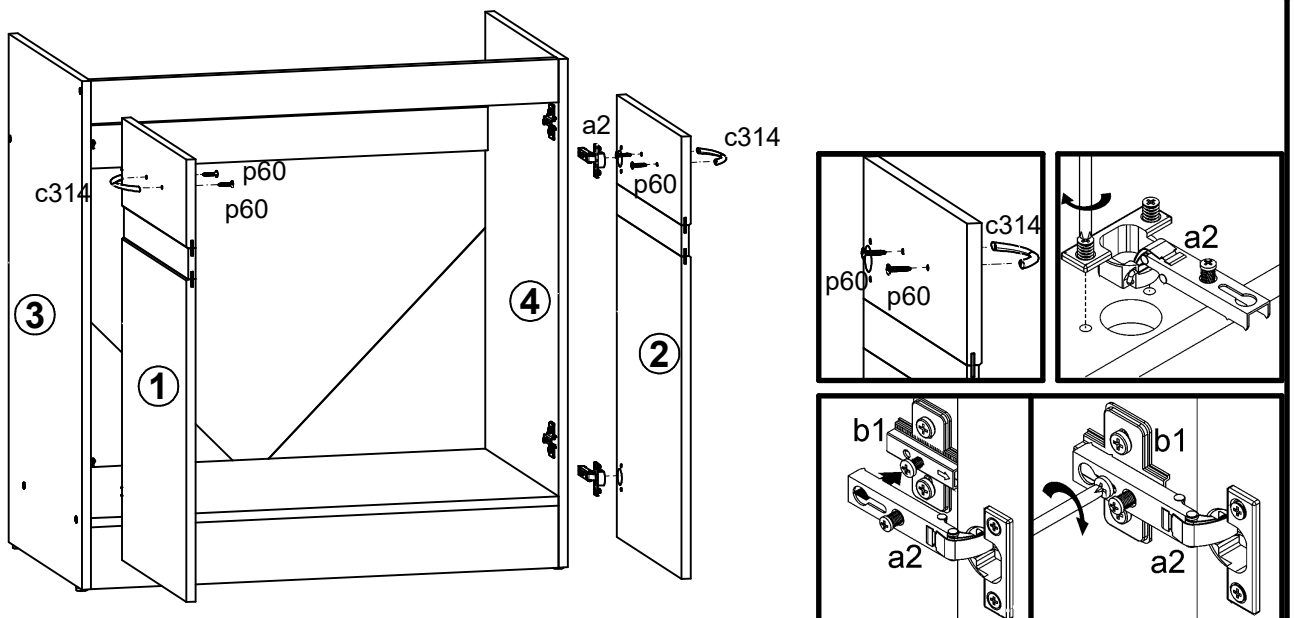
11



12

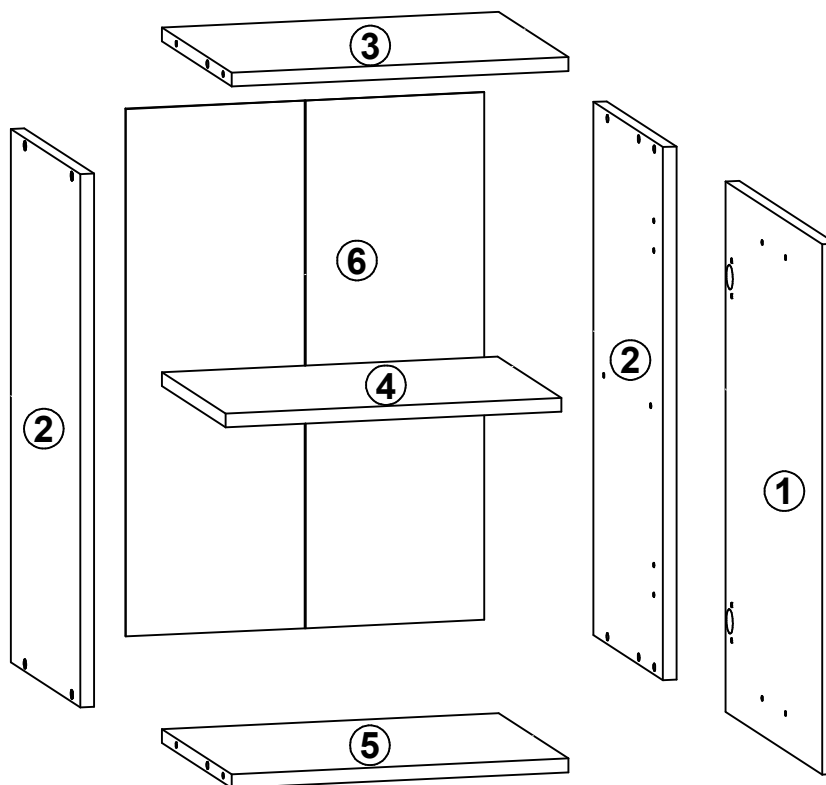
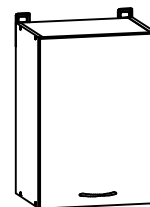
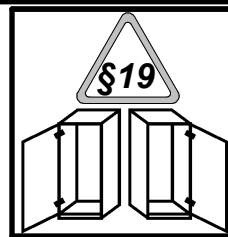
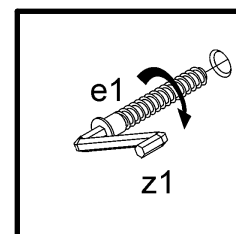
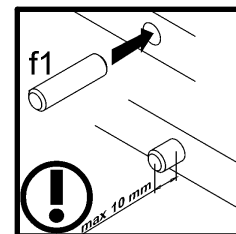
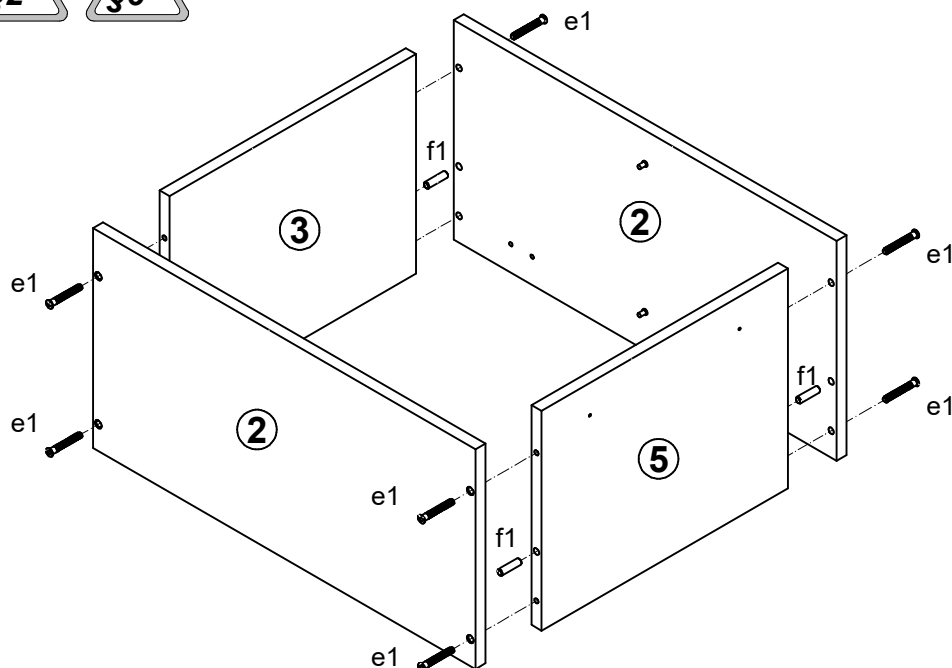


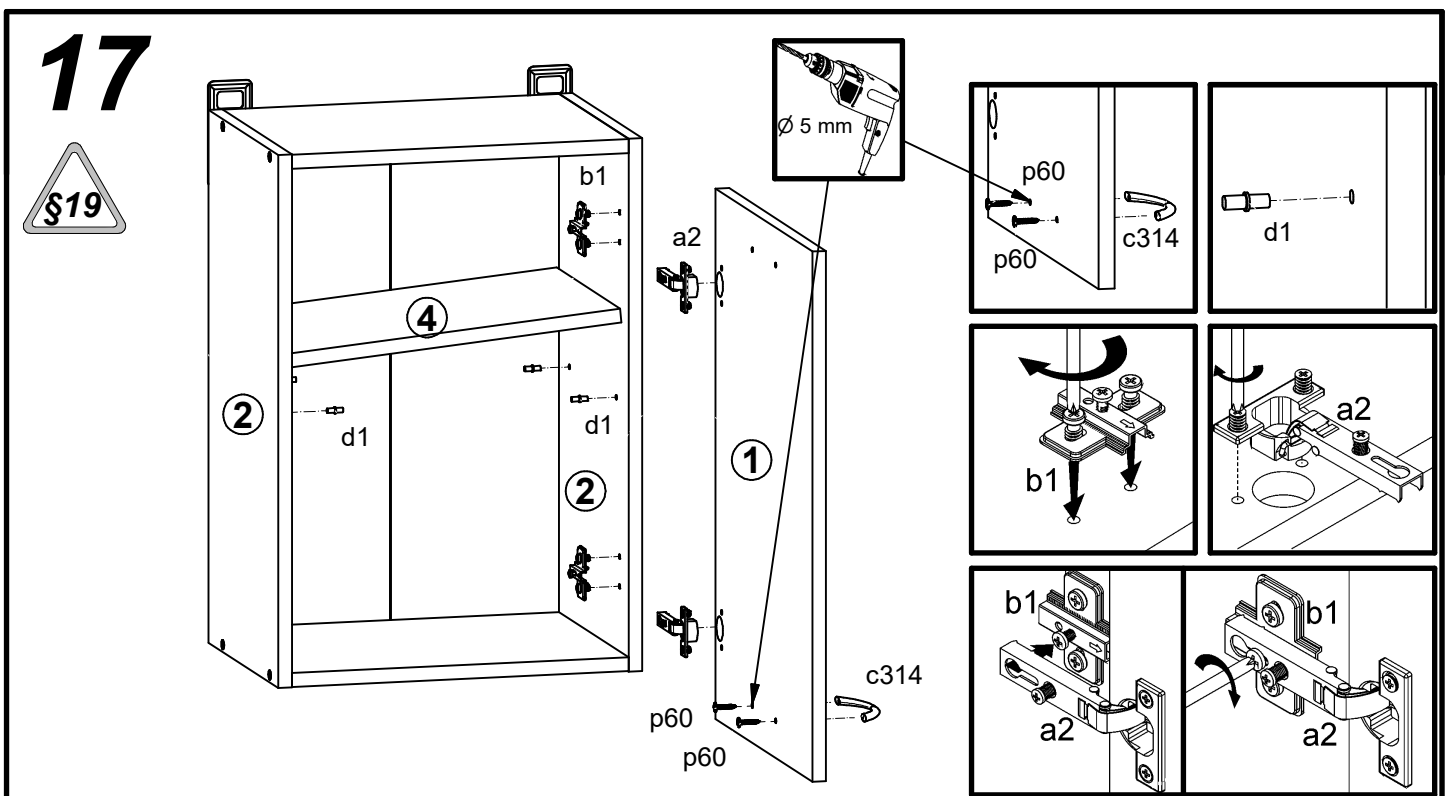
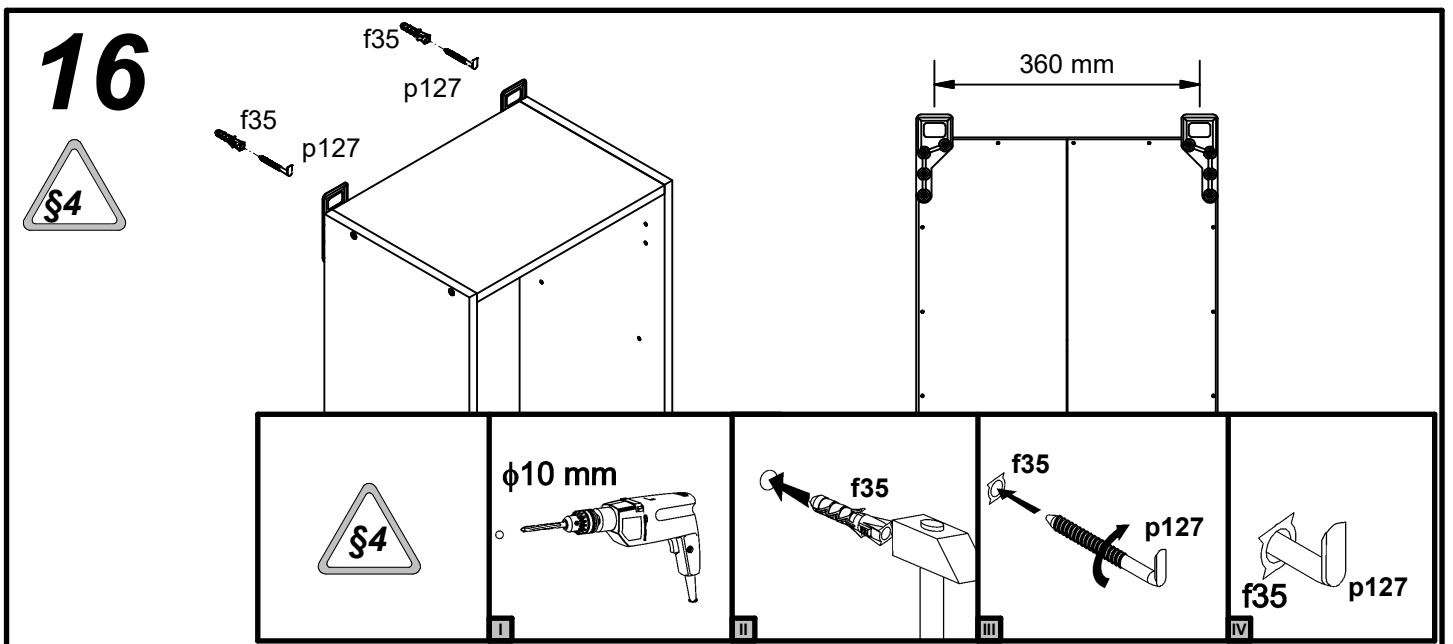
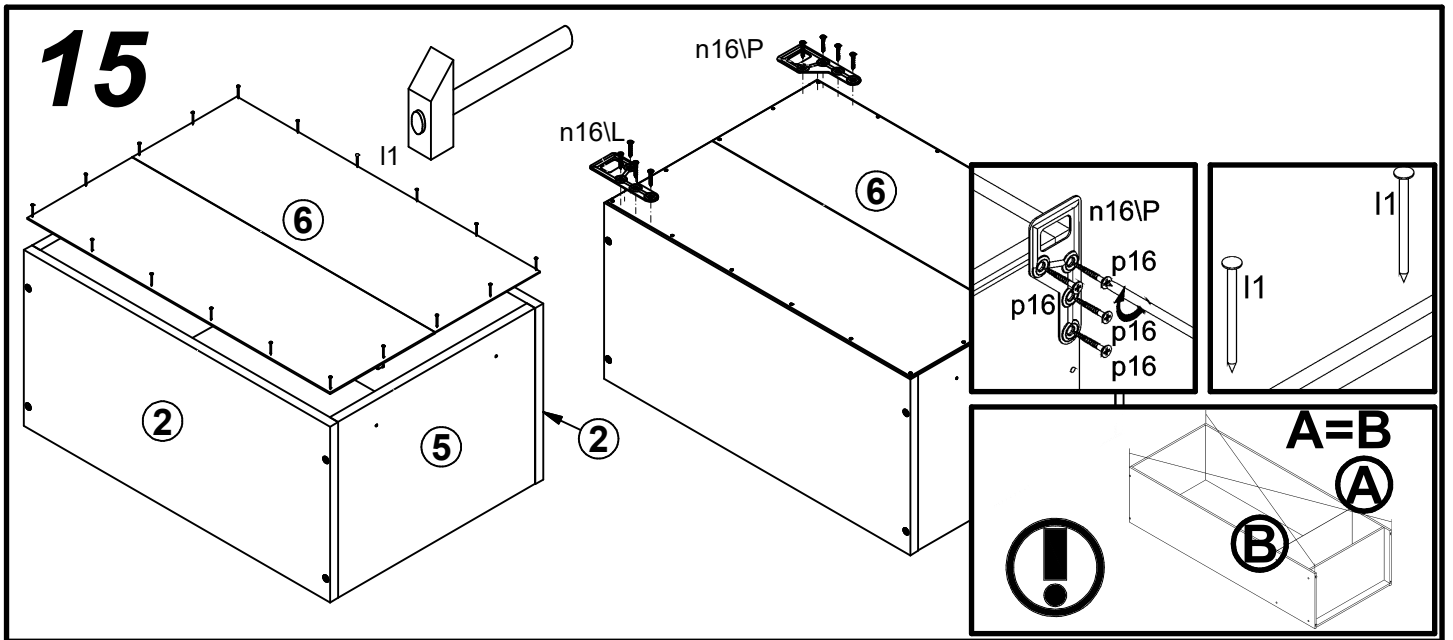
13



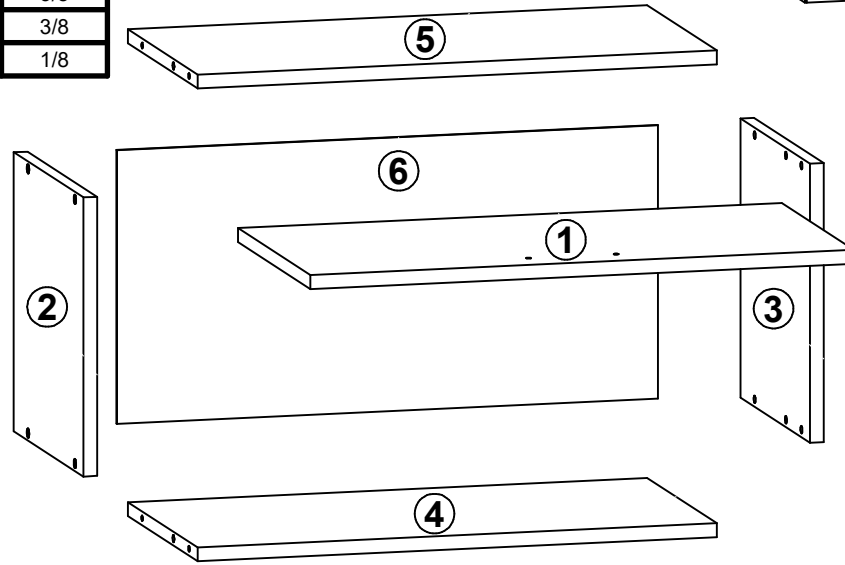
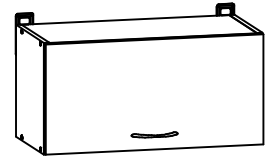
A**JUNONA LINE****K22-G1D/40/57-LP**

A	B	C	D	
1	K22-029	396	570	8/8
2	K22-101	573	285	3/8
3	K22-311	369	285	4/8
4	K22-312	368	260	4/8
5	K22-323	369	285	4/8
6	K22-908	567	393	1/8

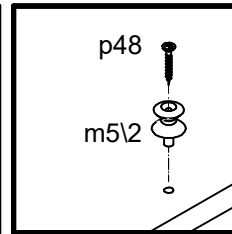
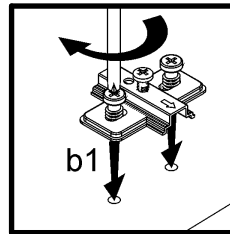
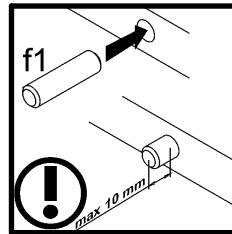
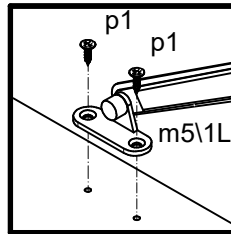
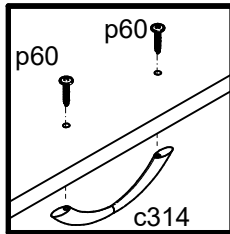
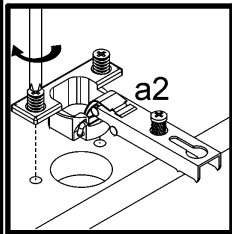
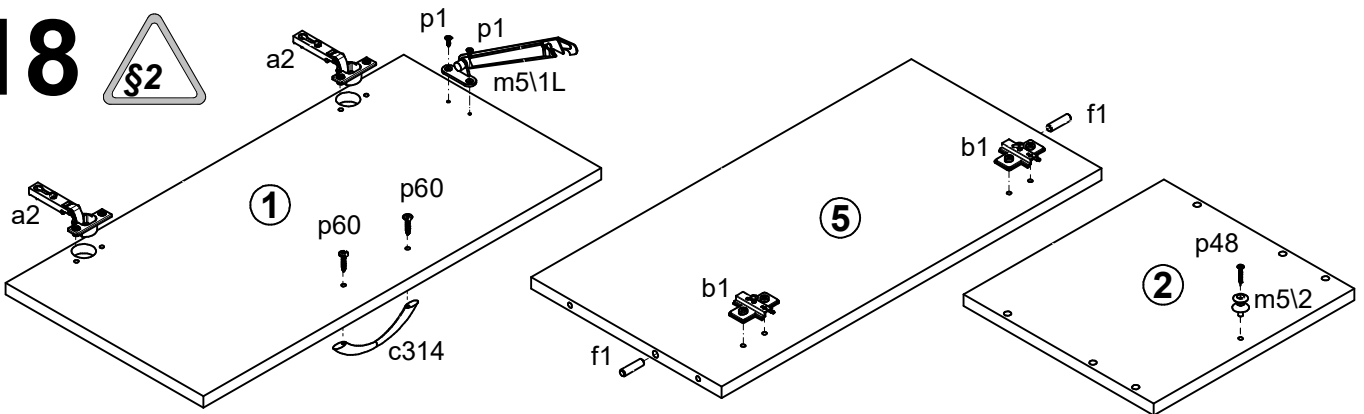
**14**



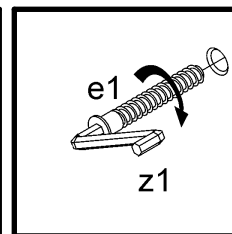
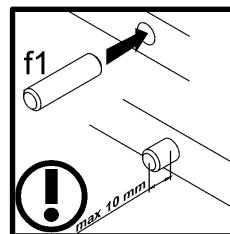
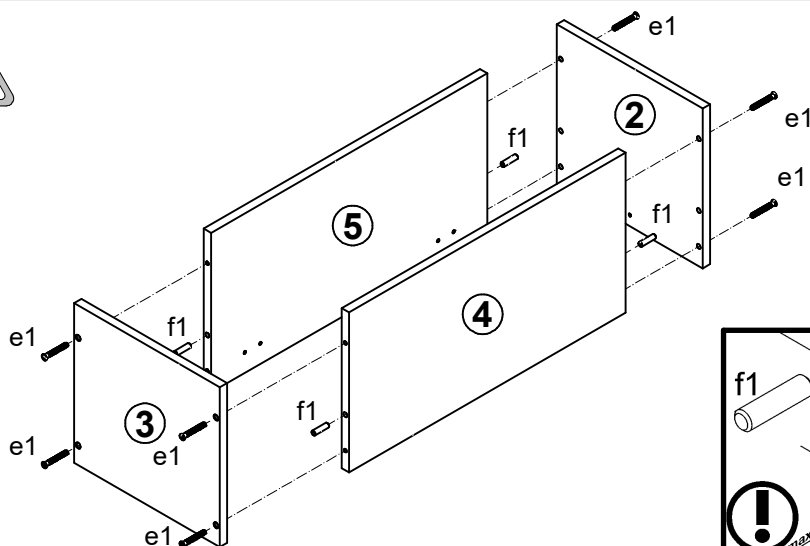
A	B	C	D	
1	K22-019	596	296	8/8
2	K22-118	300	285	4/8
3	K22-119	300	285	4/8
4	K22-330	569	285	3/8
5	K22-331	569	285	3/8
6	K22-920	593	294	1/8

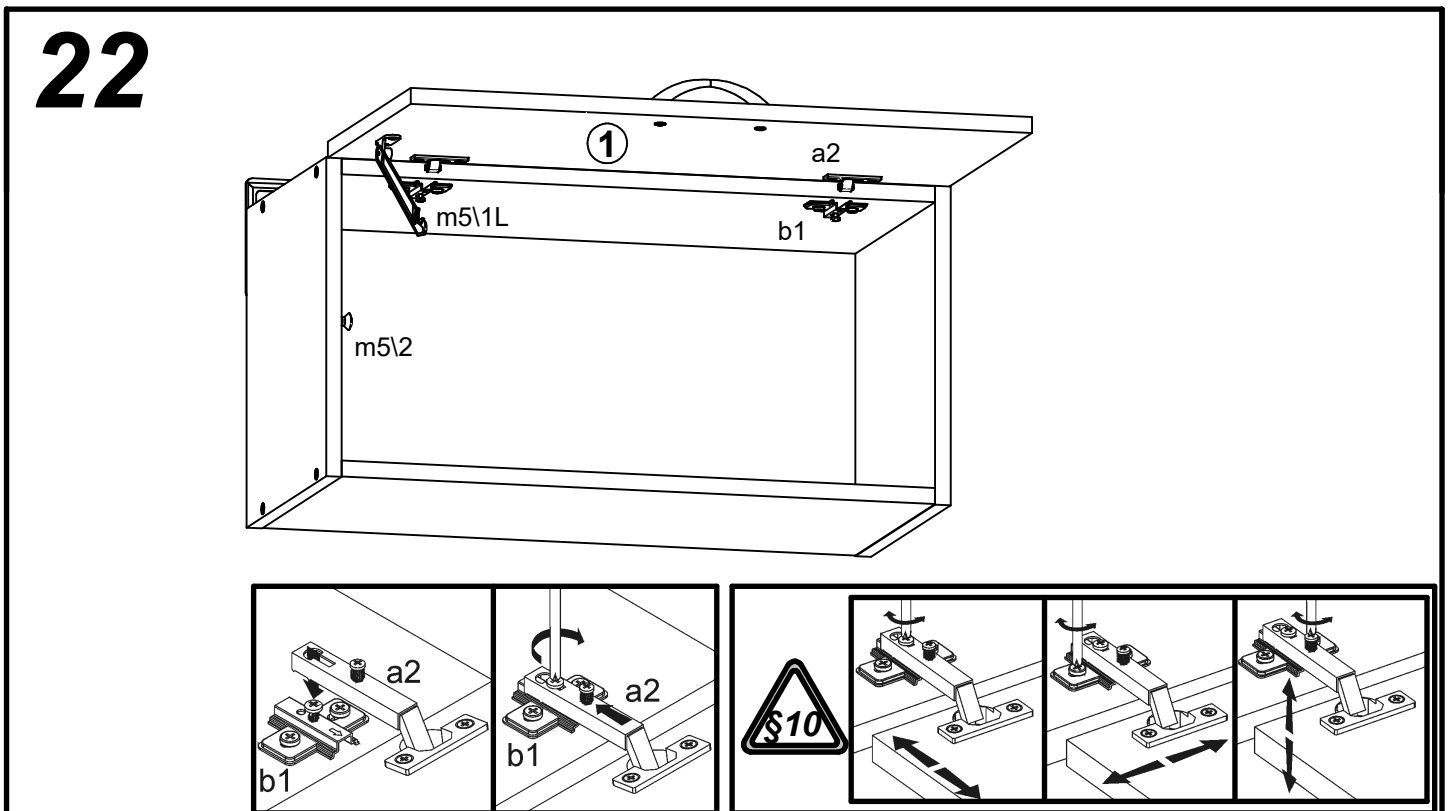
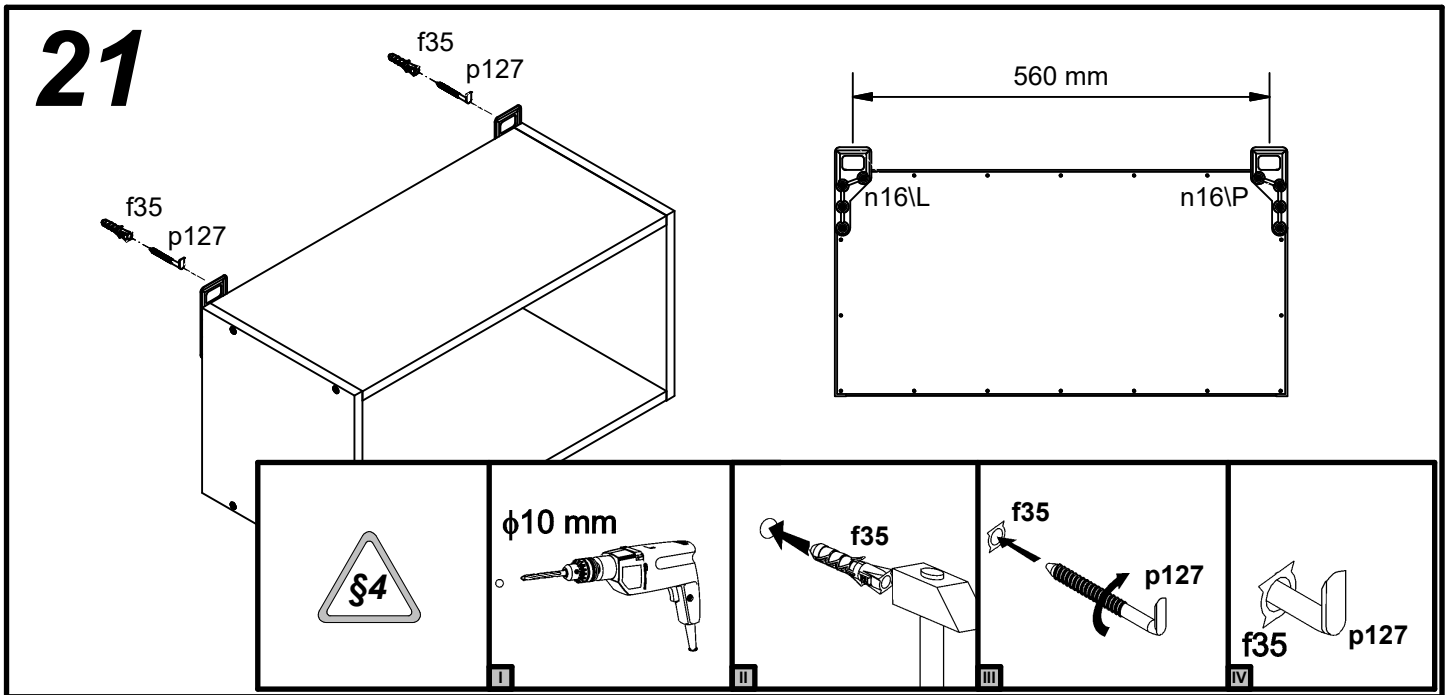
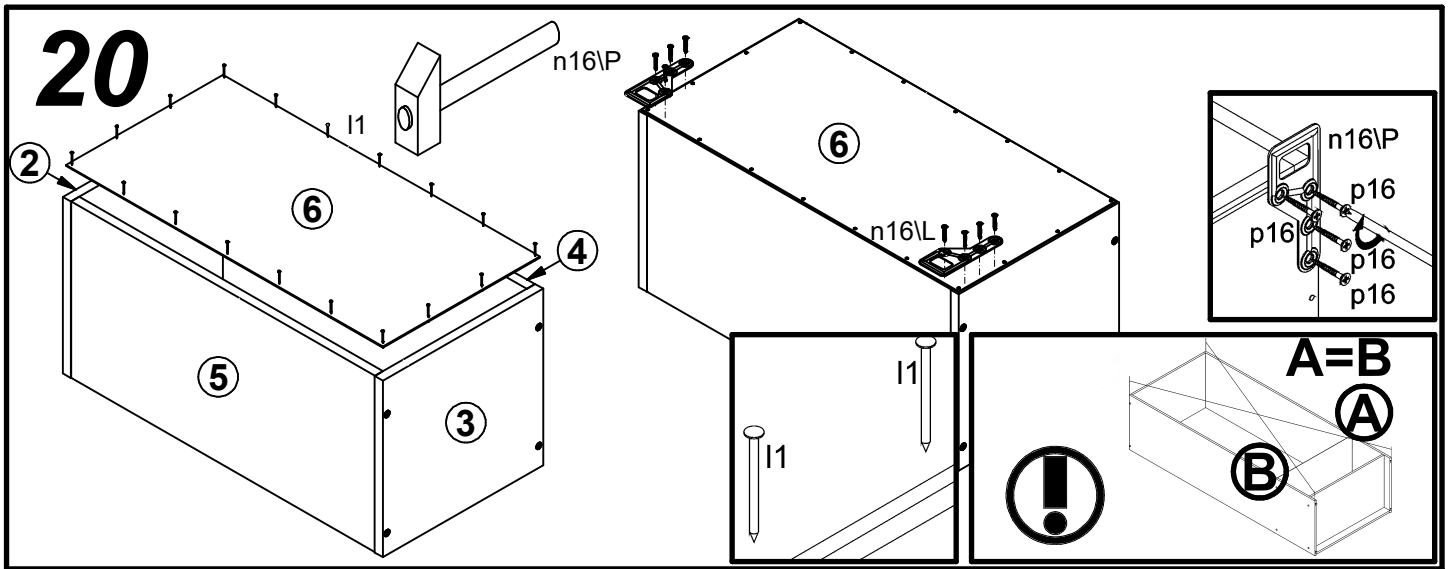


18



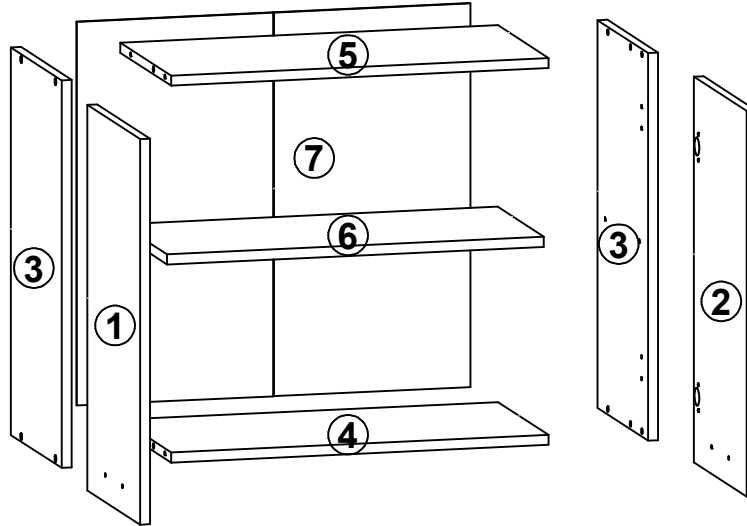
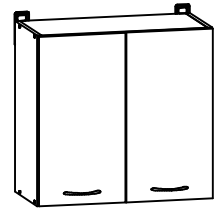
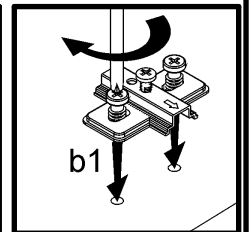
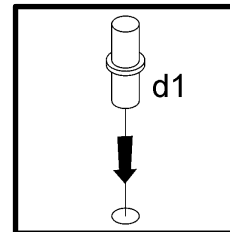
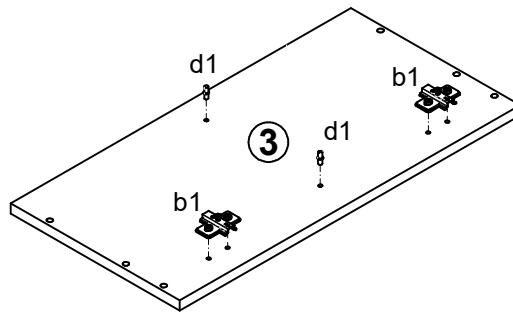
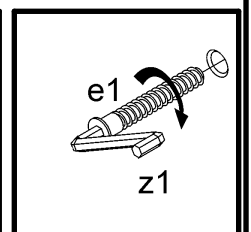
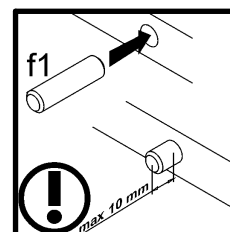
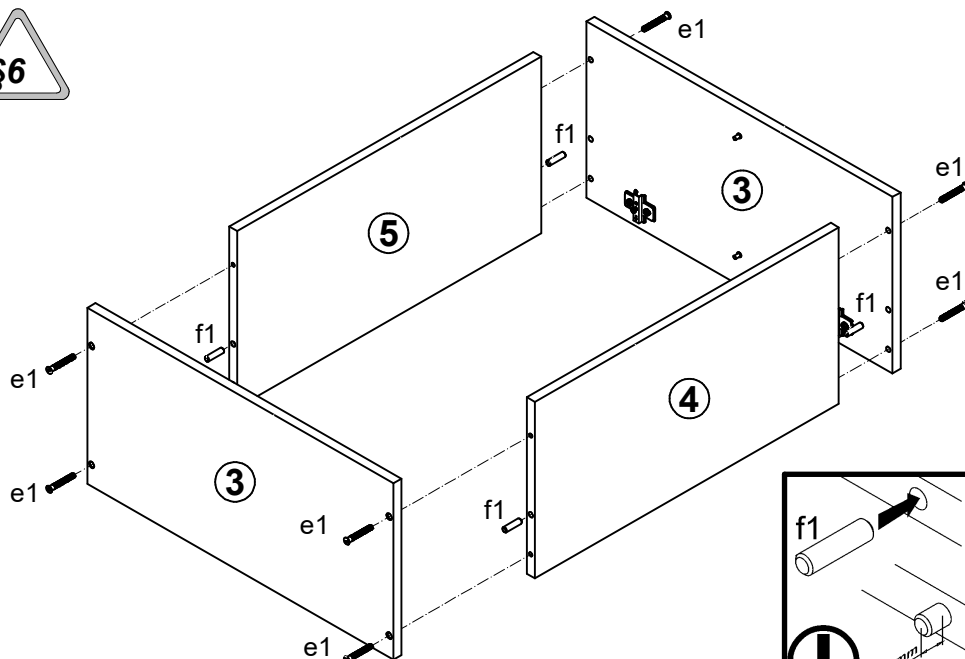
19



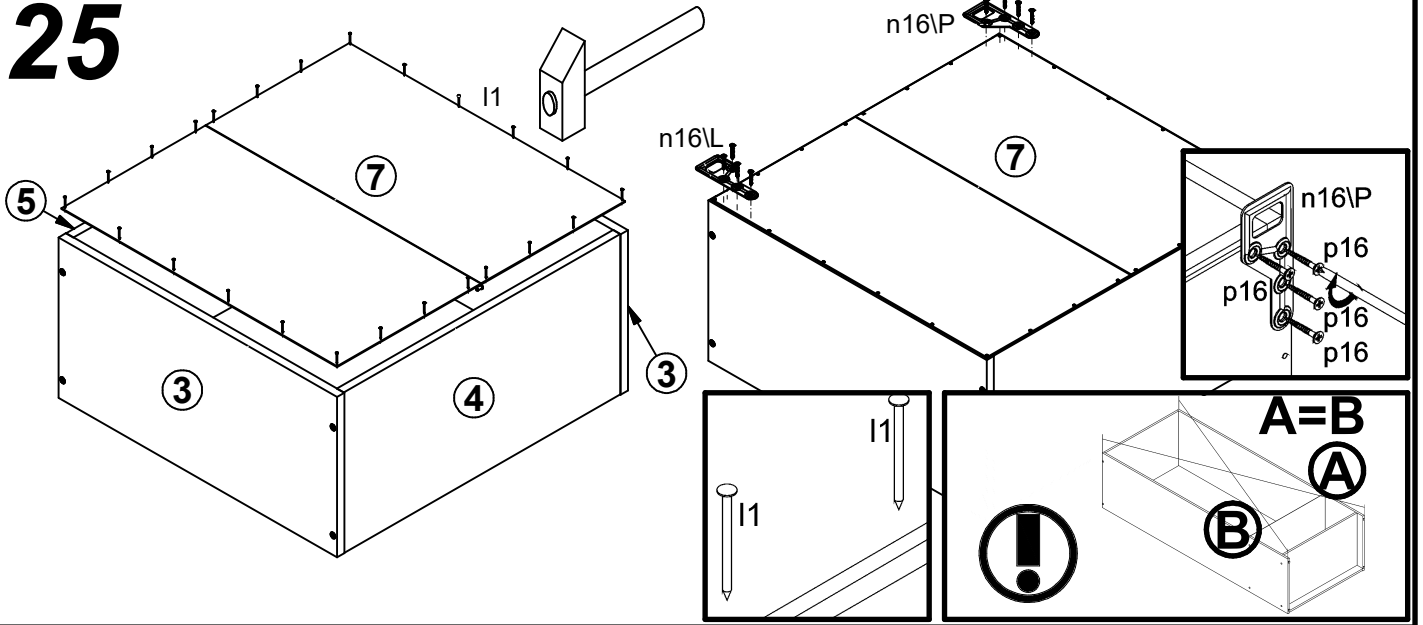


A**JUNONA LINE****K22-G2D/60/57**

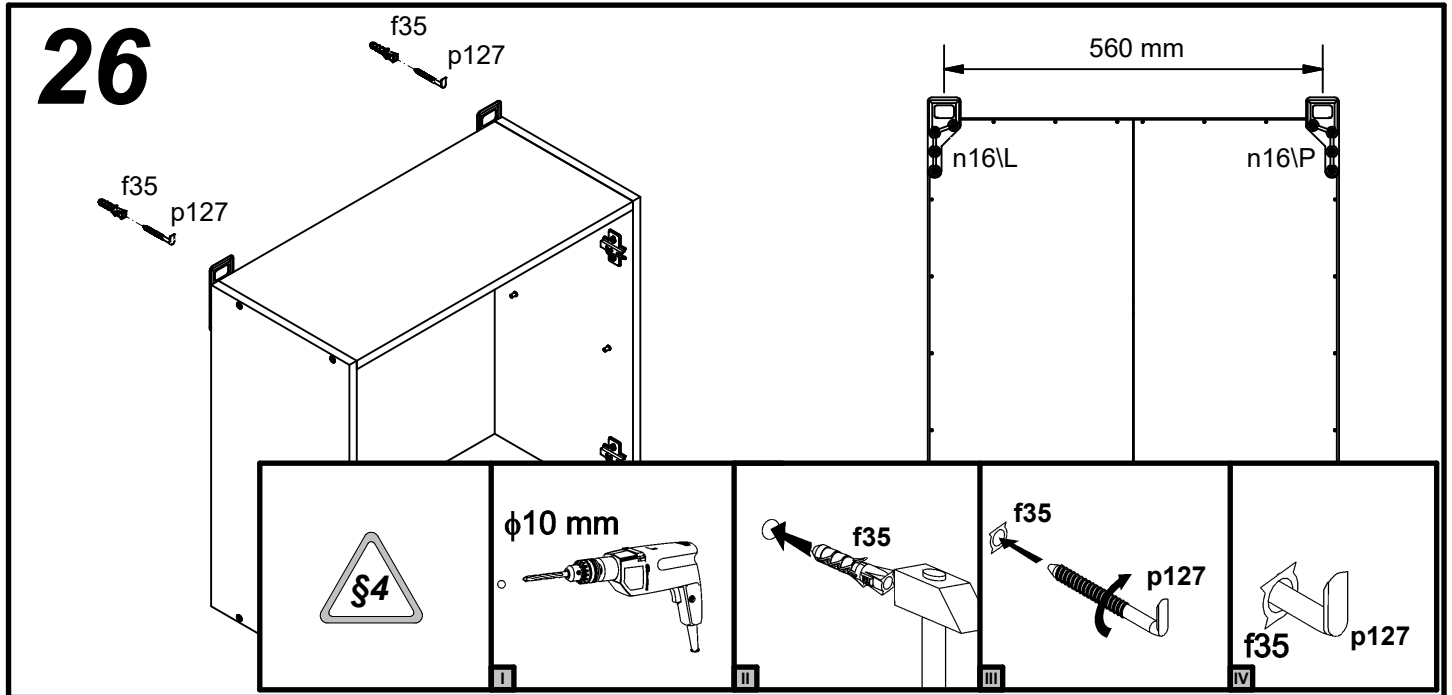
A	B	C	D
1	K22-037	296	570 8/8
2	K22-038	296	570 8/8
3	K22-101	573	285 3/8
4	K22-330	569	285 3/8
5	K22-343	569	285 3/8
6	K22-344	568	260 3/8
7	K22-927	567	593 1/8

**23****24**

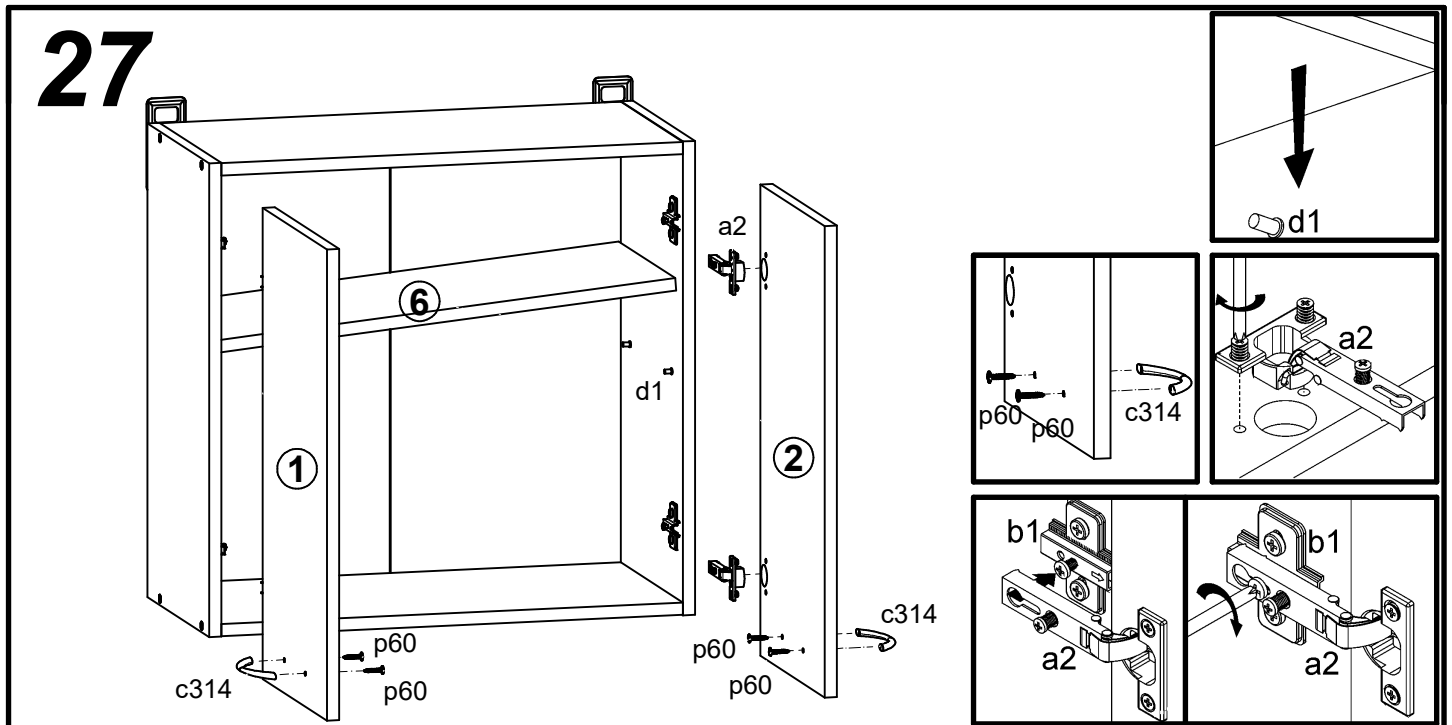
25



26

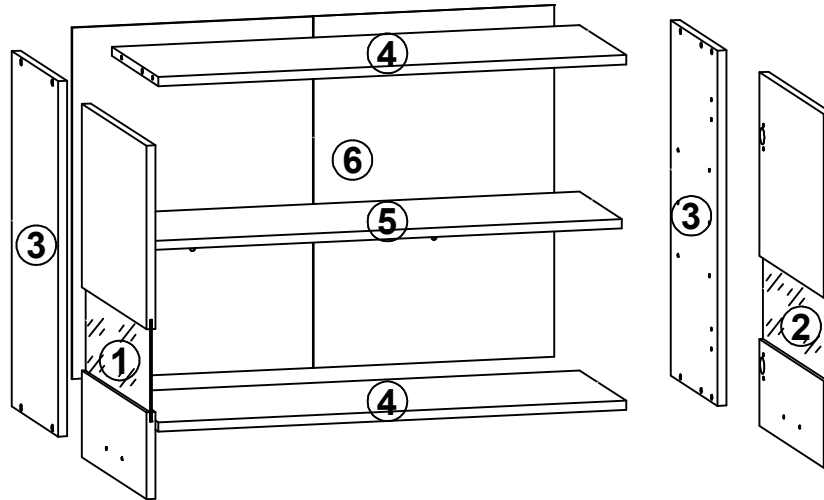
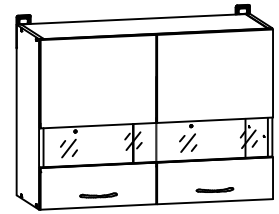
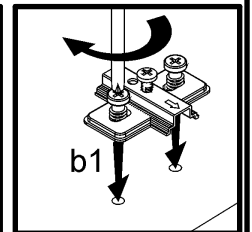
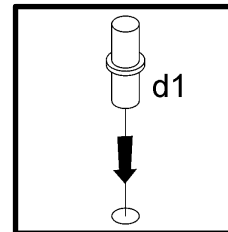
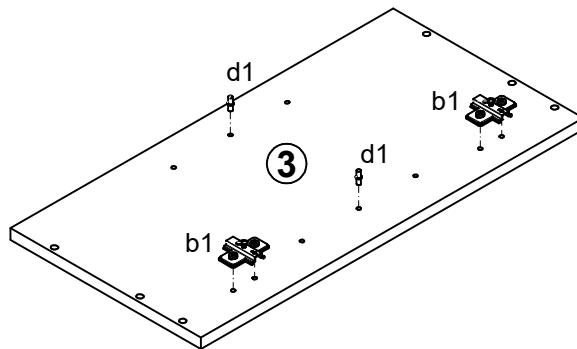
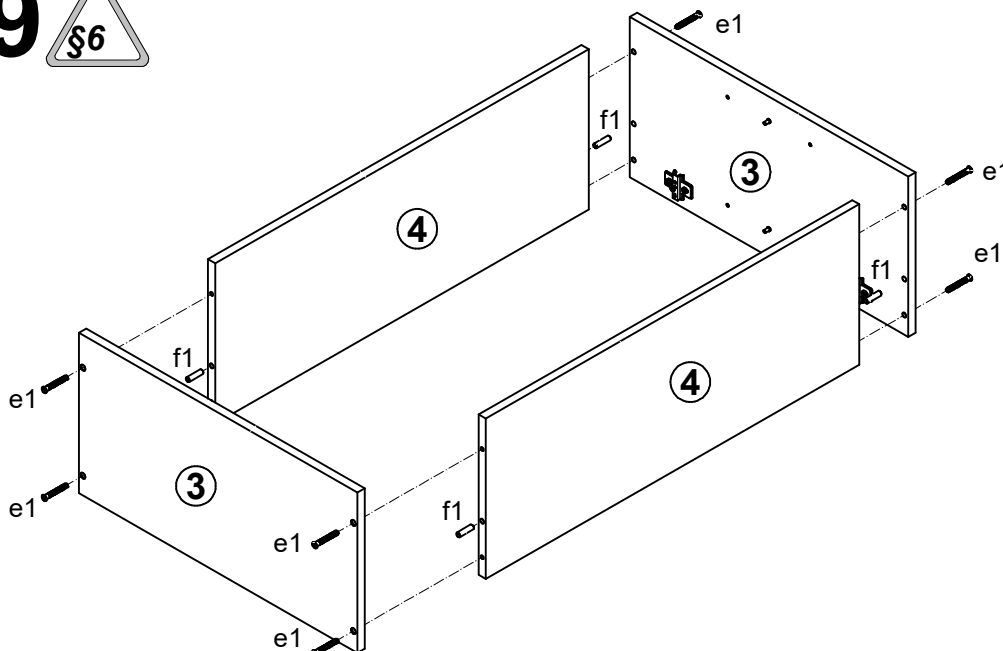


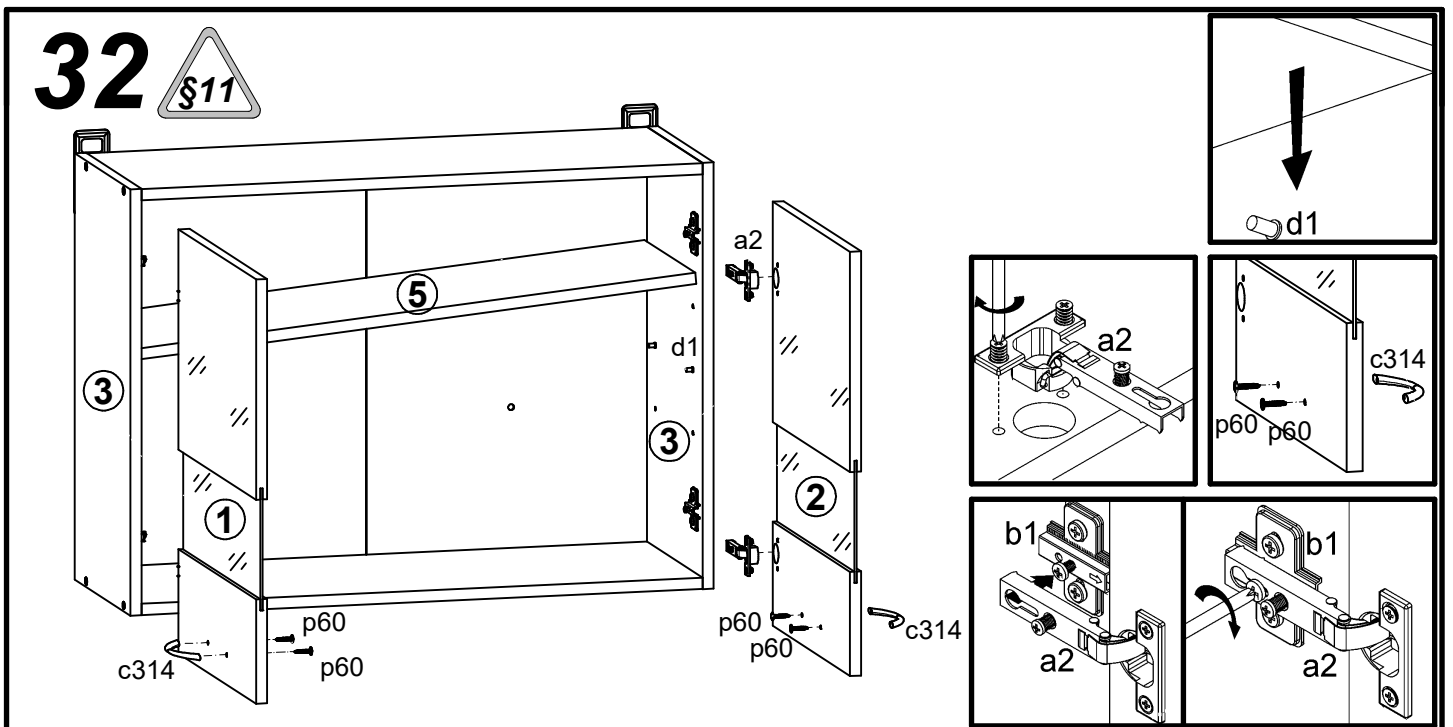
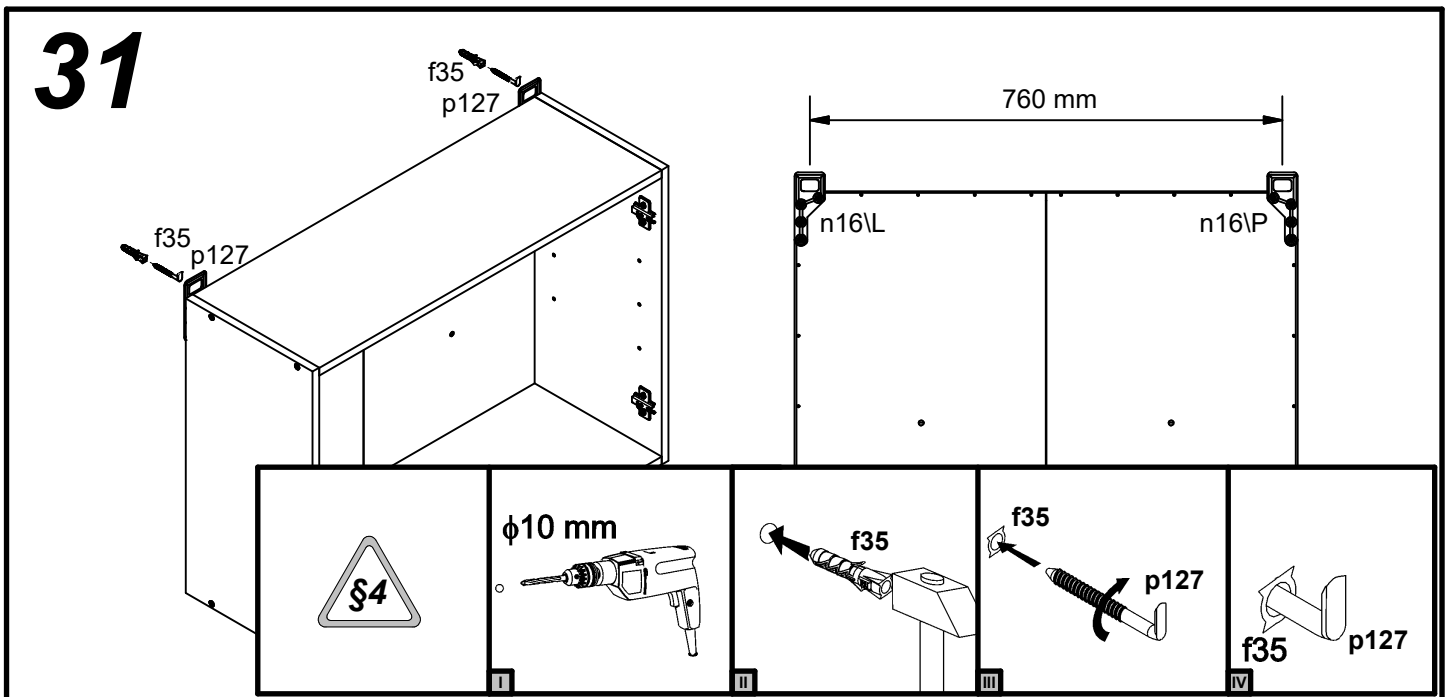
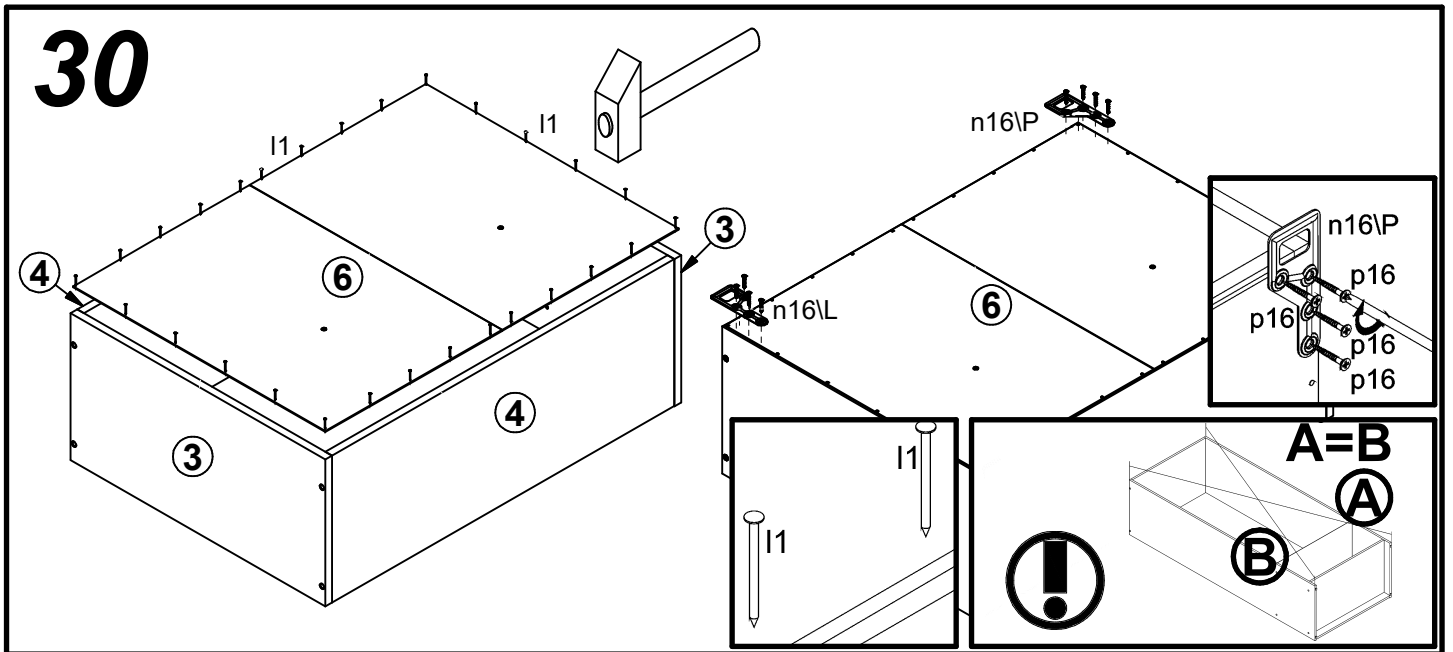
27



A**JUNONA LINE****K22-GW2/80/57**

A	B	C	D
1	K22-017	396	570
2	K22-018	396	570
3	K22-120	573	285
4	K22-328	769	285
5	K22-329	768	260
6	K22-929	567	793

**28****29**



A**K22-JUNONA\240\BL180**

A	B	C	D
1	K22-210	1800	600
			5/8

