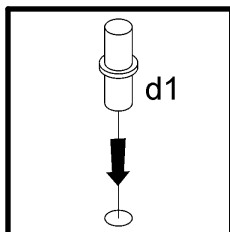
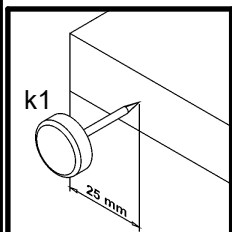
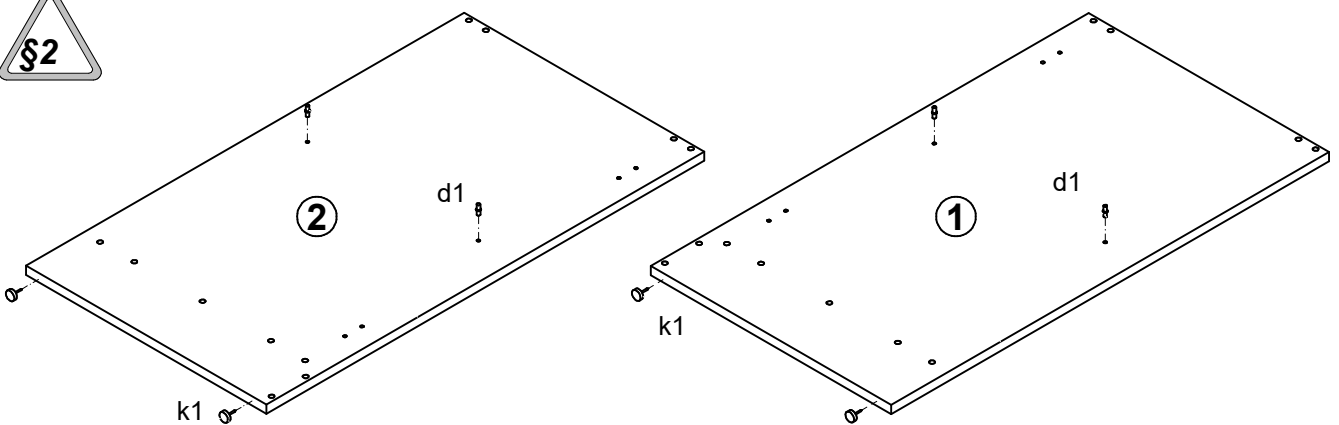
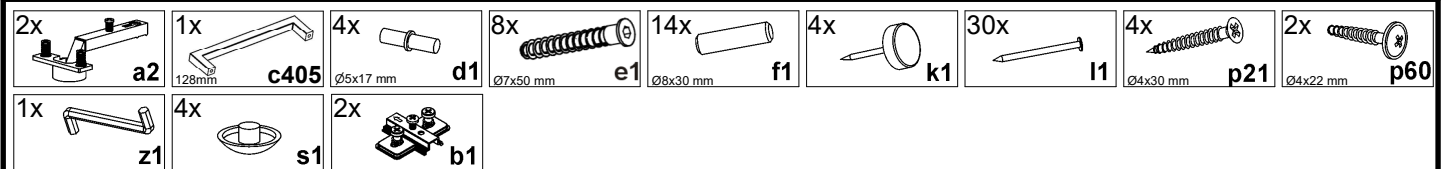
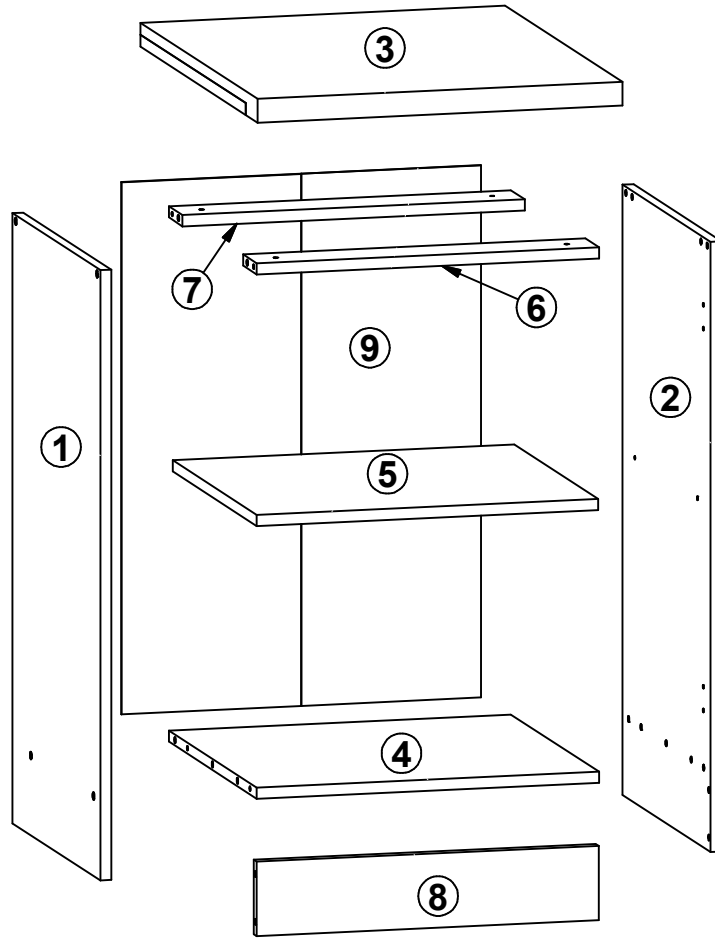
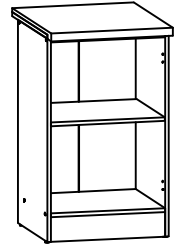


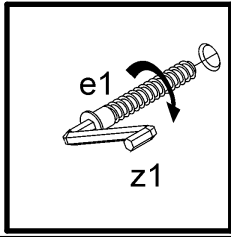
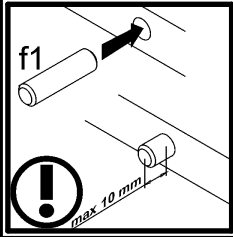
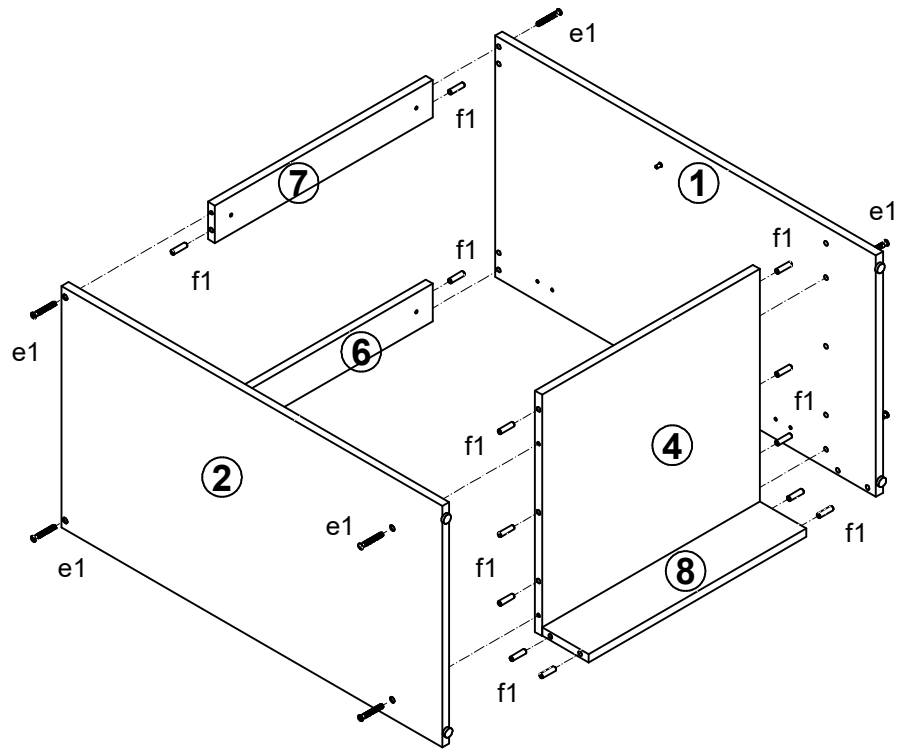
# Junona Line

K24-D1D/50/82 L/P

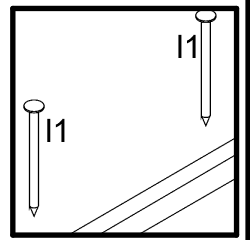
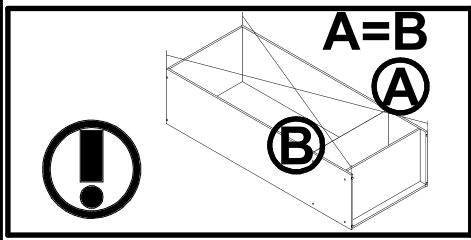
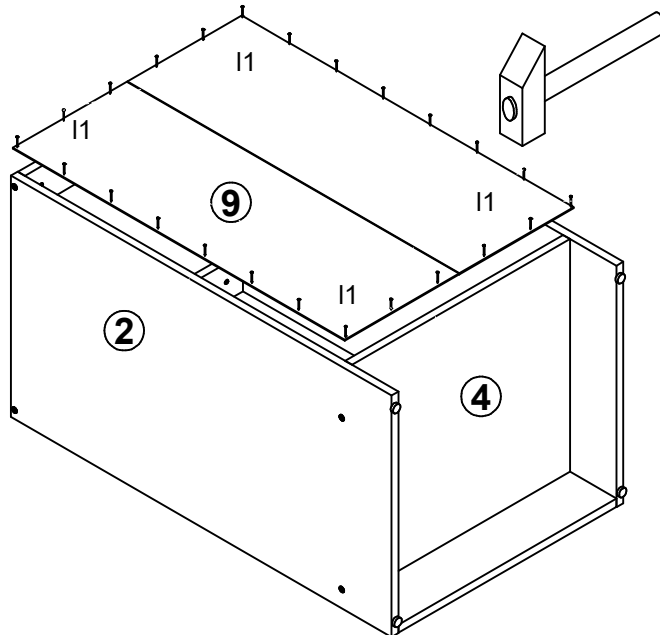
A	B	C	D
1	K24-107	820	450
2	K24-108	820	450
3	K24-201	500	600
4	K24-303	469	450
5	K24-304	468	430
6	K24-402	469	70
7	K24-403	469	70
8	K24-404	469	100
9	K22-916	715	493



**2** 



**3**



**4**

