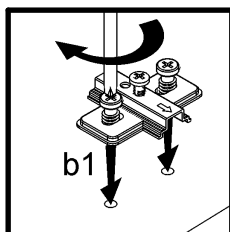
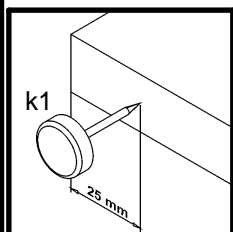
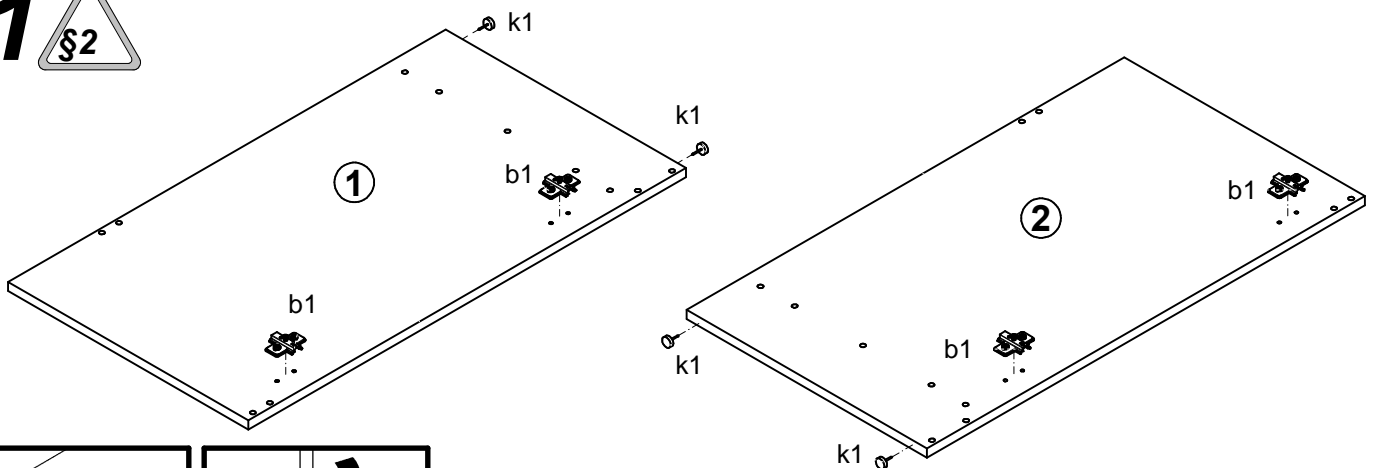
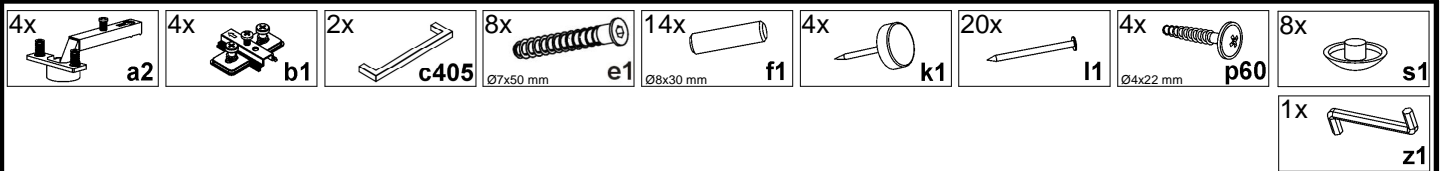
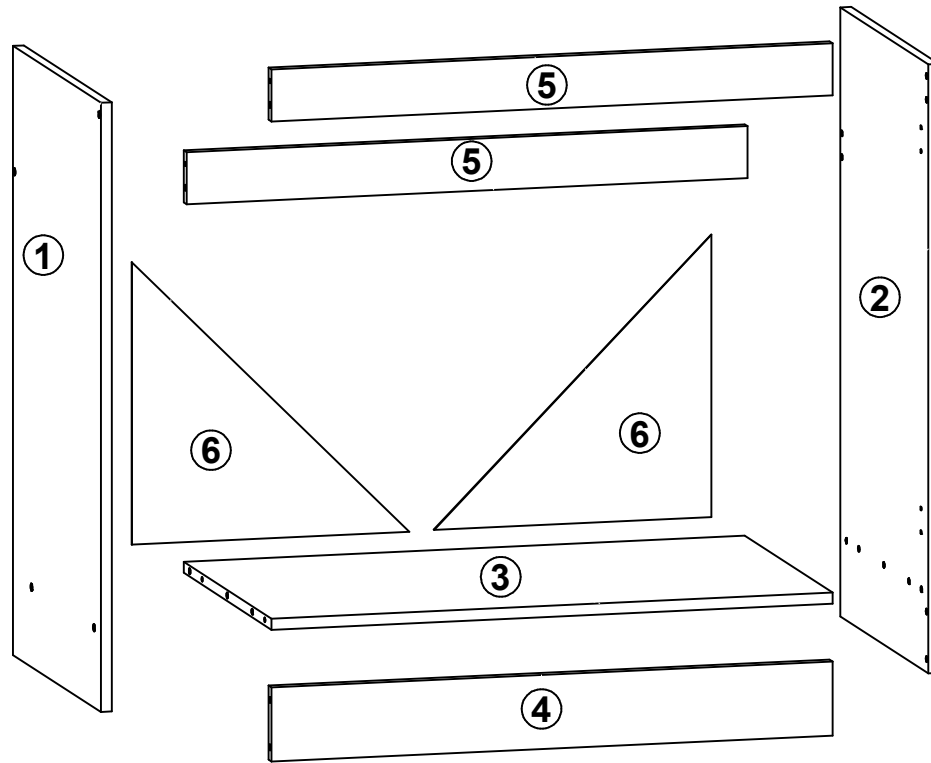
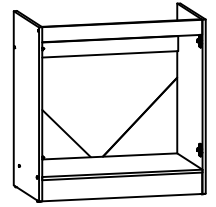


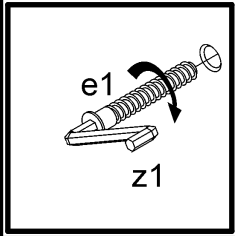
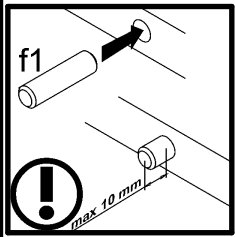
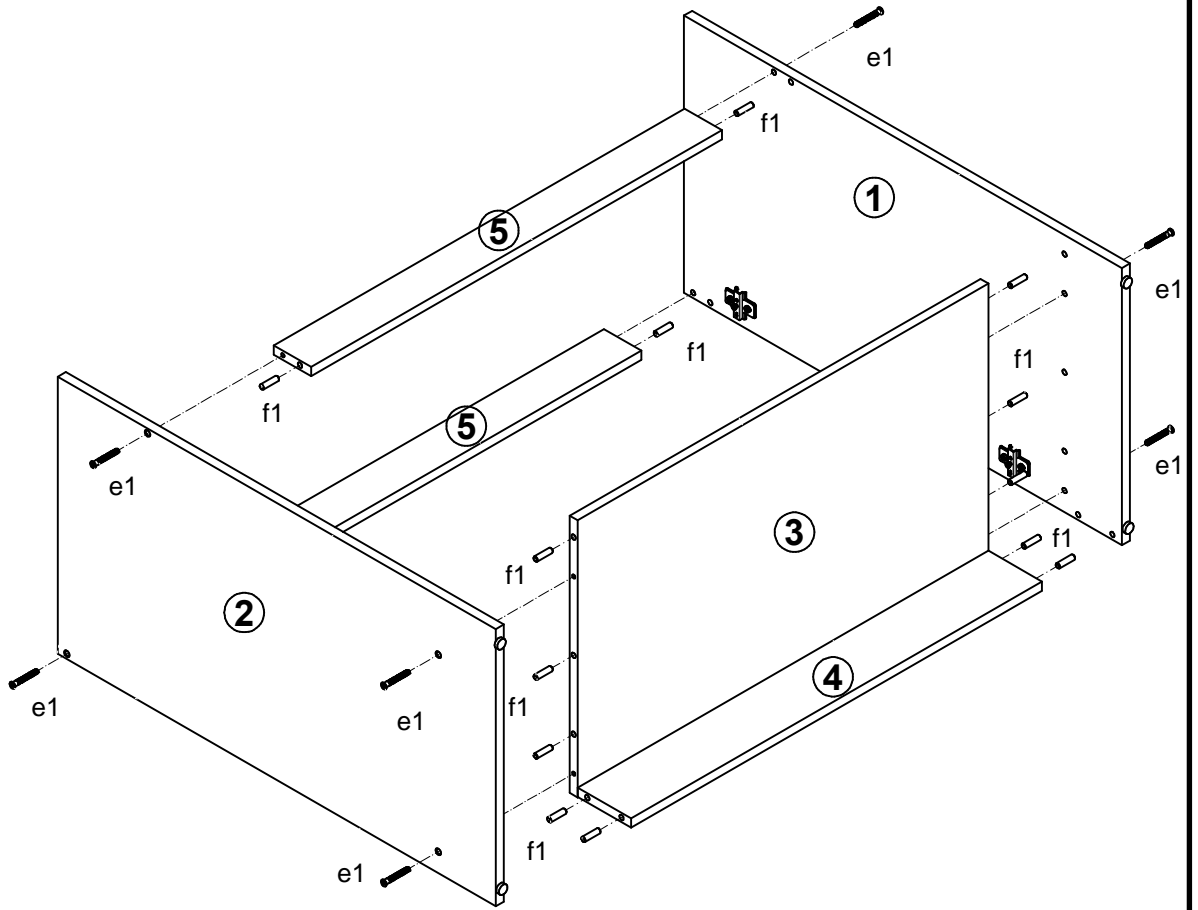
# Junona Line

K24-DK2D/80/82

A	B	C	D
1	K24-116	820	450
2	K24-117	820	450
3	K24-327	769	450
4	K24-417	769	100
5	K24-418	769	70
6	K22-918	380	380



# 2



# 3

