

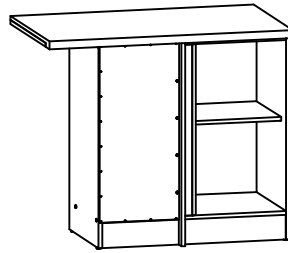
Junona Line

K24-DNW/100/82-L/P

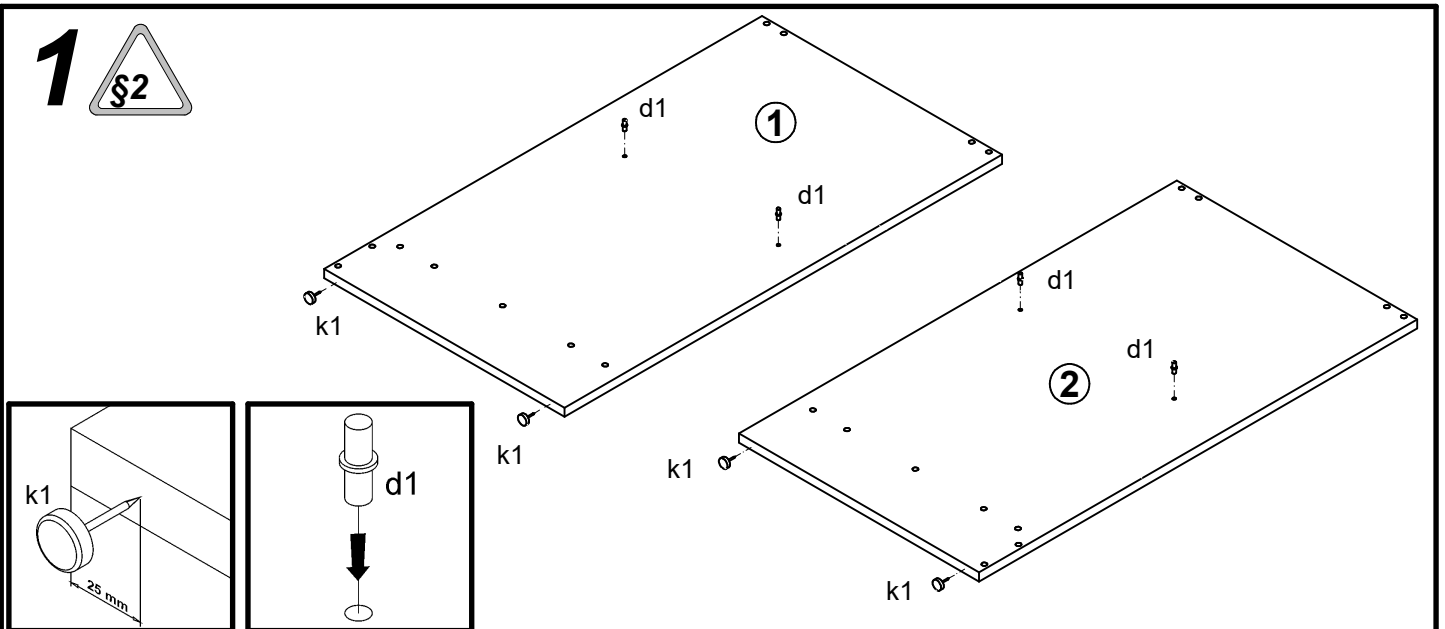
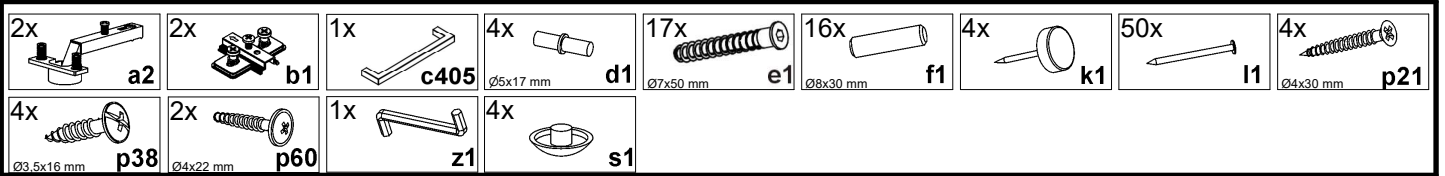
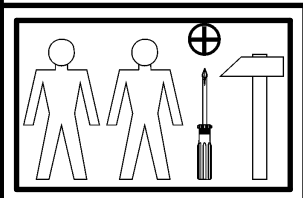
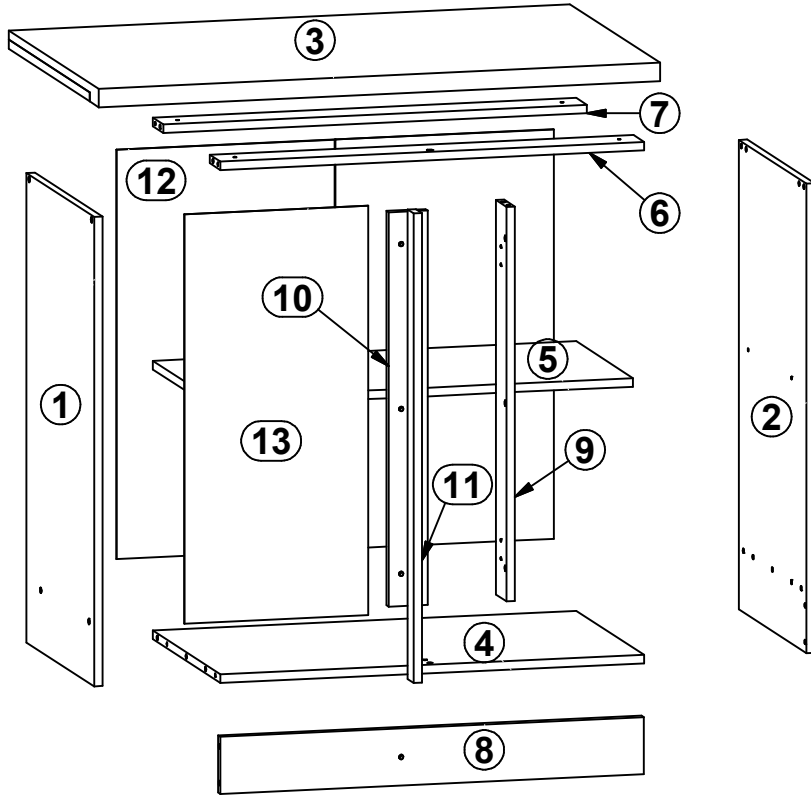
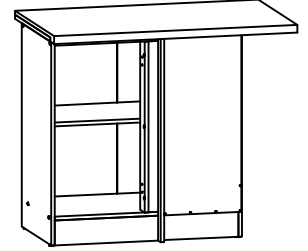
A	B	C	D
1	K24-105	820	450
2	K24-106	820	450
3	K24-202	1000	600
4	K24-305	755	450
5	K24-306	754	378
6	K24-405	755	70
7	K24-406	755	70
8	K24-407	755	100
9	K24-408	689	70
10	K24-409	689	70
11	K24-410	820	40
12	K22-903	715	779
13	K22-905	715	327



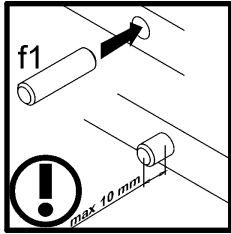
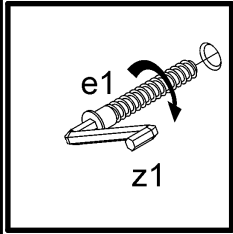
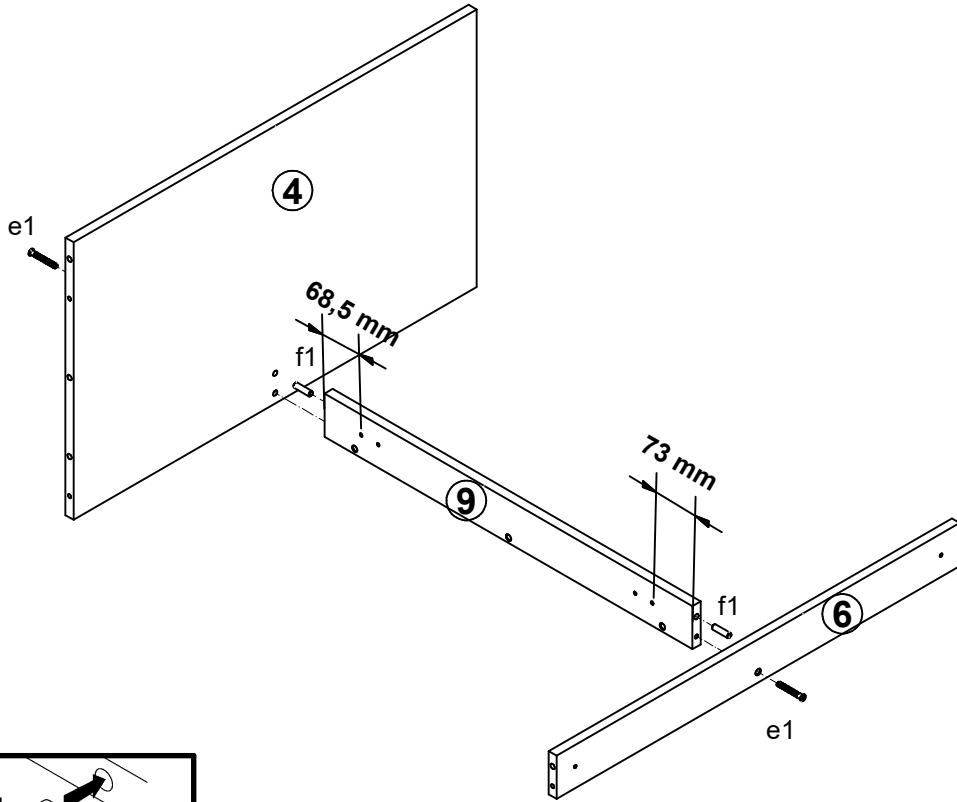
K24-DNW_100_82-L



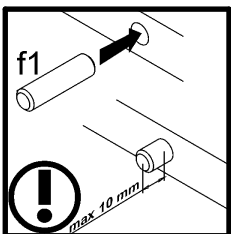
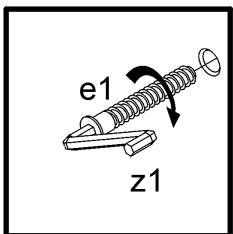
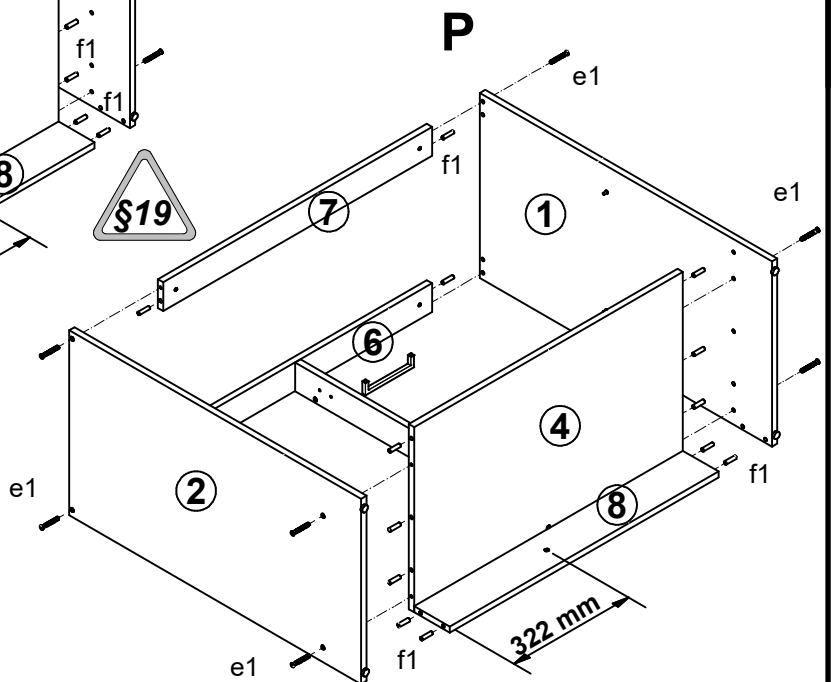
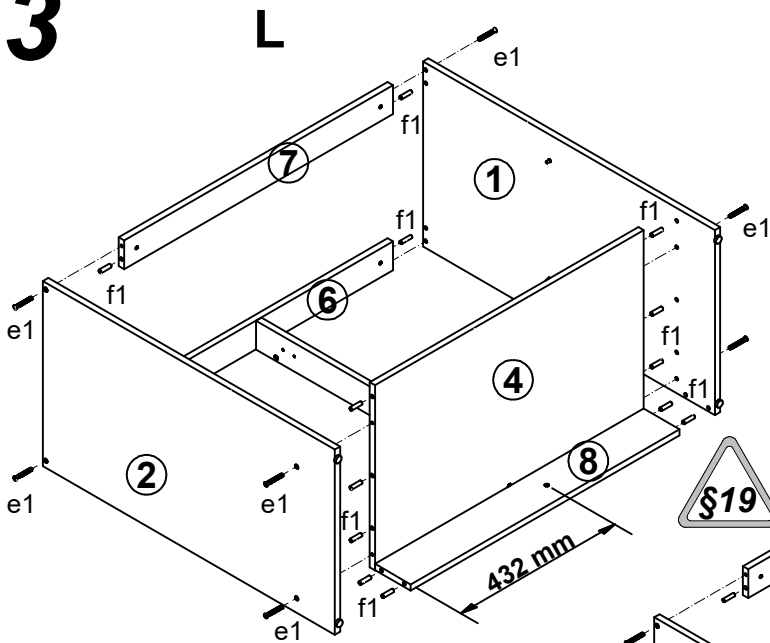
K24-DNW_100_82-P



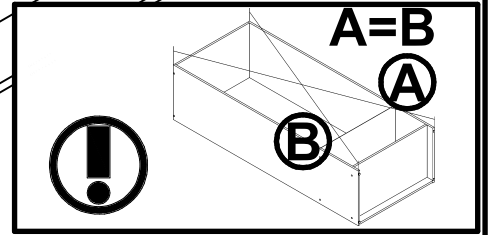
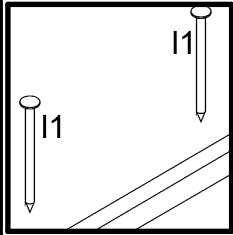
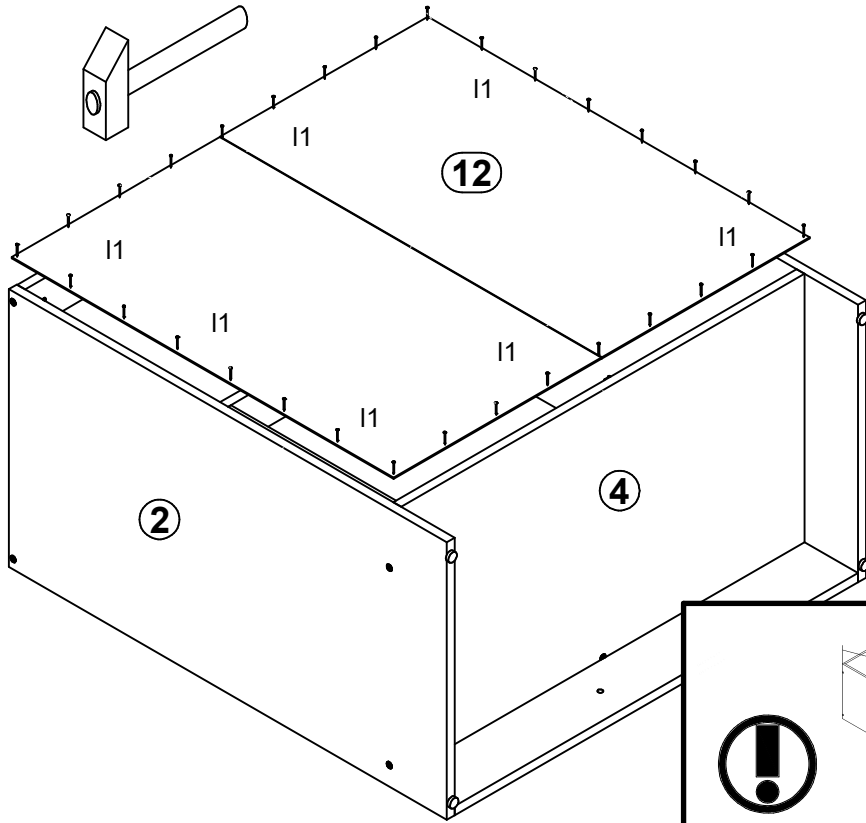
2



3



4



5

