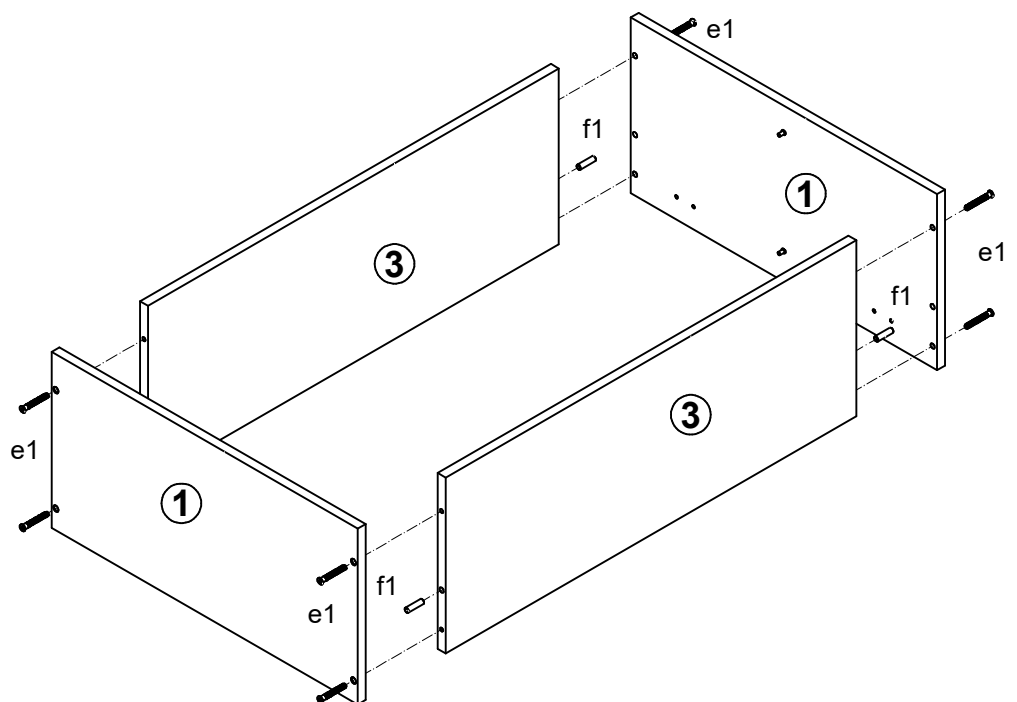
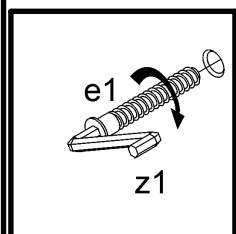
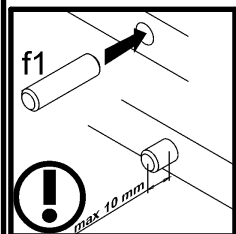
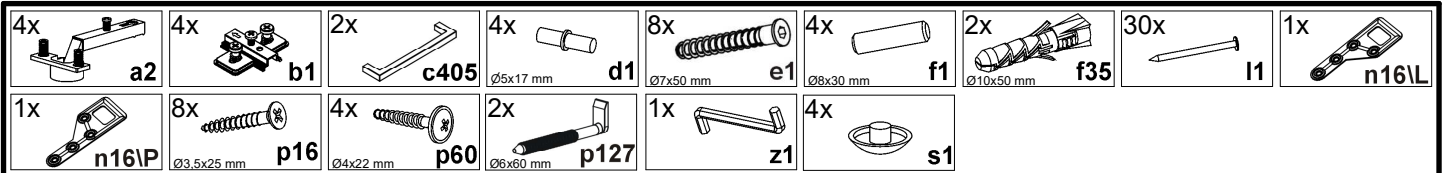
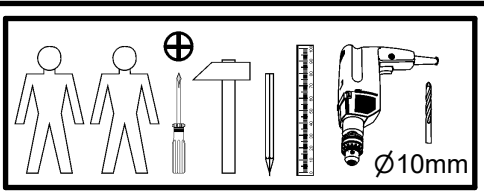
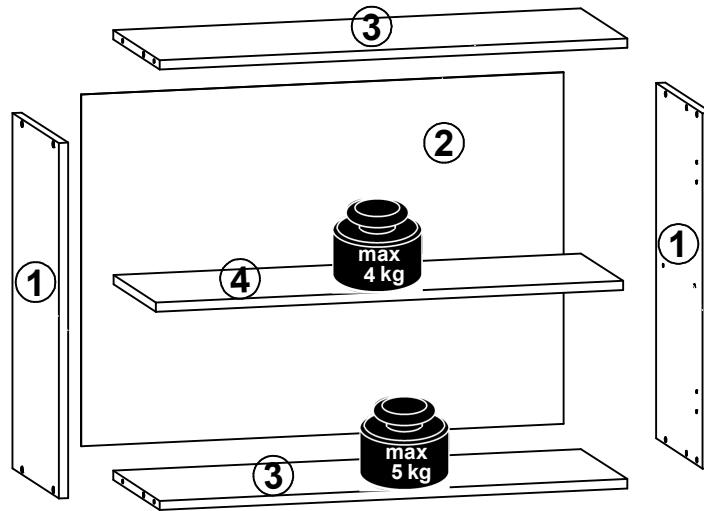
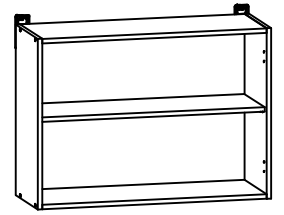


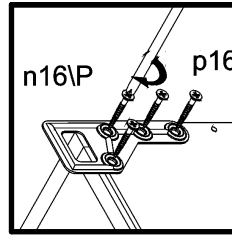
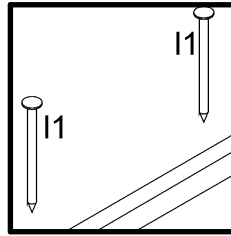
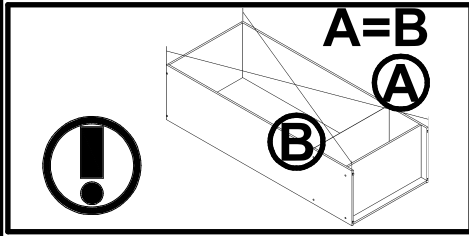
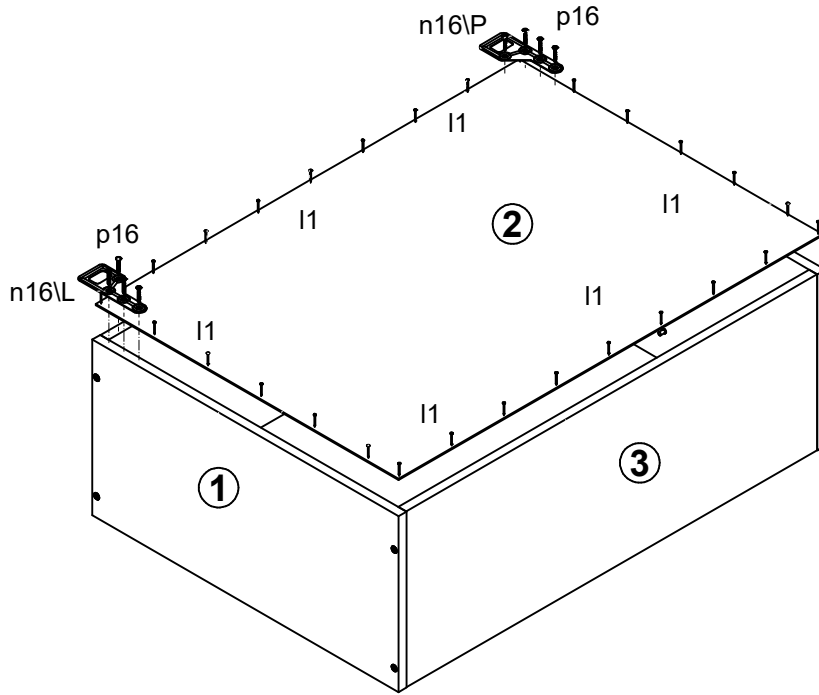
Junona Line

K24-G2D/80/57

A	B	C		D
1	K24-101	573	285	1/2
2	K22-919	567	793	1/2
3	K24-328	769	285	1/2
4	K24-329	768	260	1/2



2 §6



3

