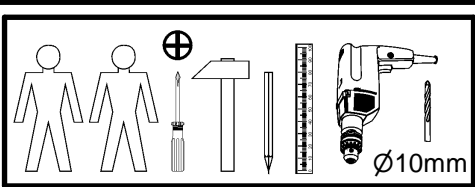
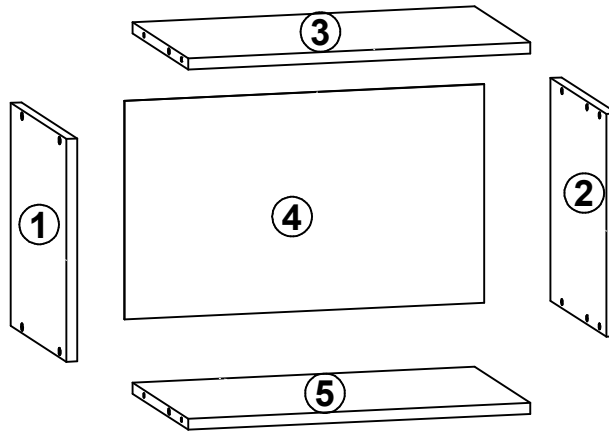
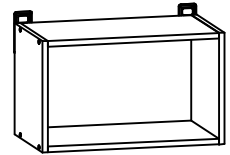


# Junona Line

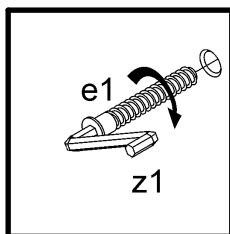
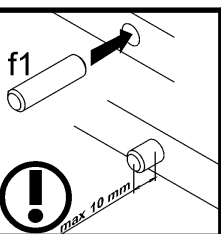
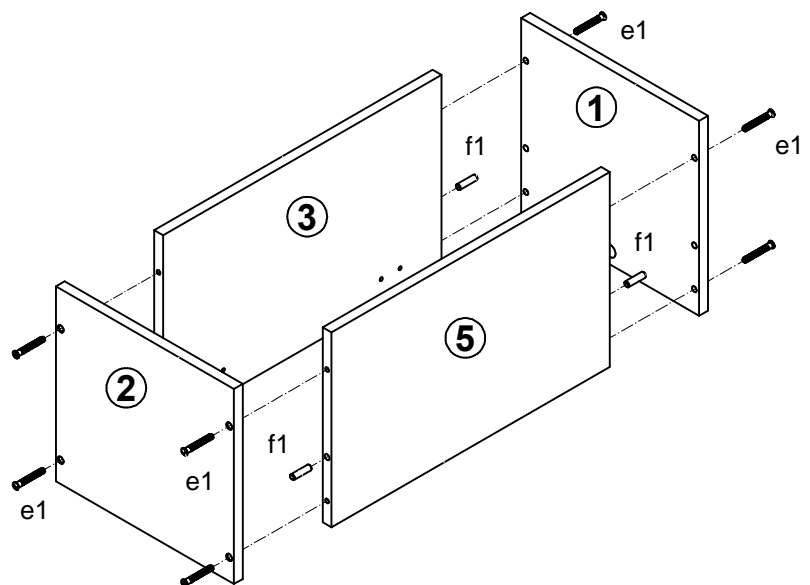
K24-GO/50/30

| A | B       | C   | D   |
|---|---------|-----|-----|
| 4 | K22-924 | 493 | 294 |
| 1 | K24-118 | 300 | 285 |
| 2 | K24-119 | 300 | 285 |
| 5 | K24-314 | 469 | 285 |
| 3 | K24-335 | 469 | 285 |

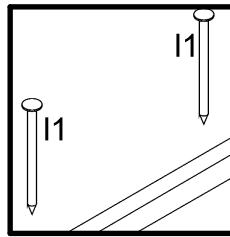
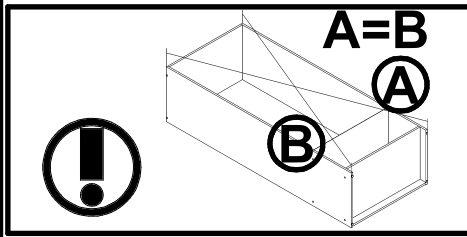
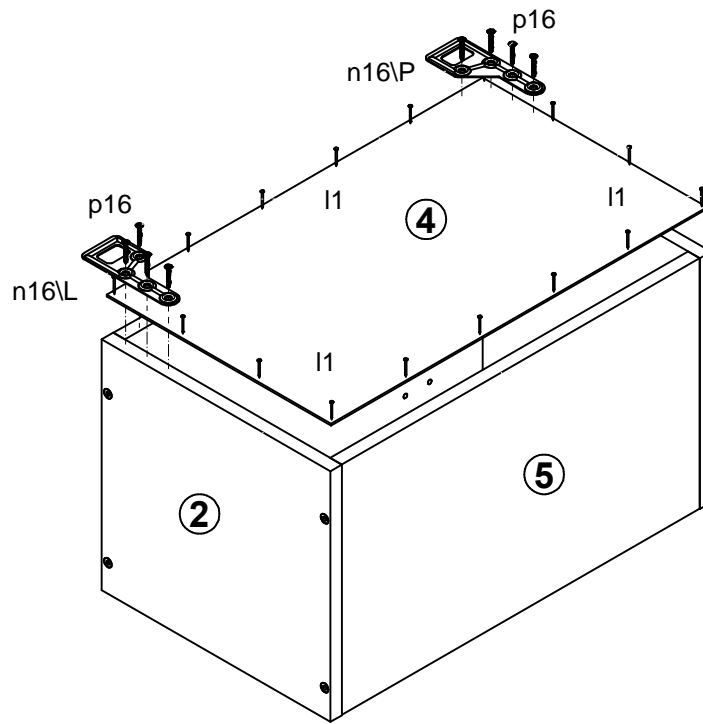


|        |        |        |        |        |        |         |        |        |
|--------|--------|--------|--------|--------|--------|---------|--------|--------|
| 2x<br> | 2x<br> | 1x<br> | 8x<br> | 4x<br> | 2x<br> | 20x<br> | 1x<br> | 1x<br> |
| 1x<br> | 1x<br> | 2x<br> | 8x<br> | 2x<br> | 2x<br> | 1x<br>  | 1x<br> | 4x<br> |

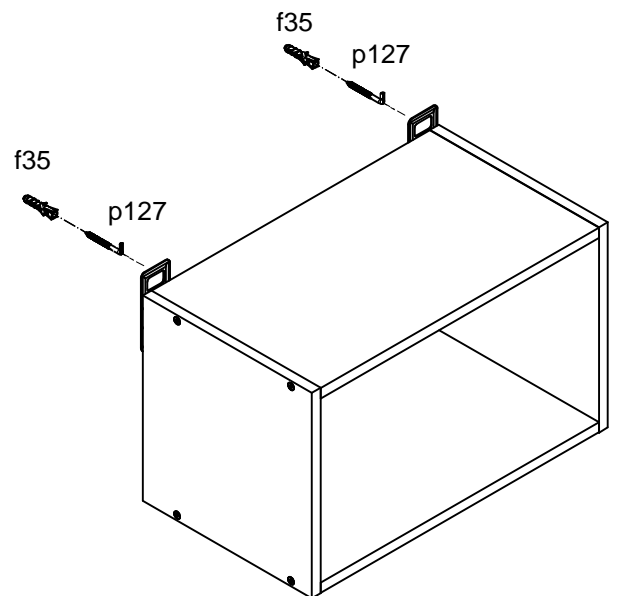
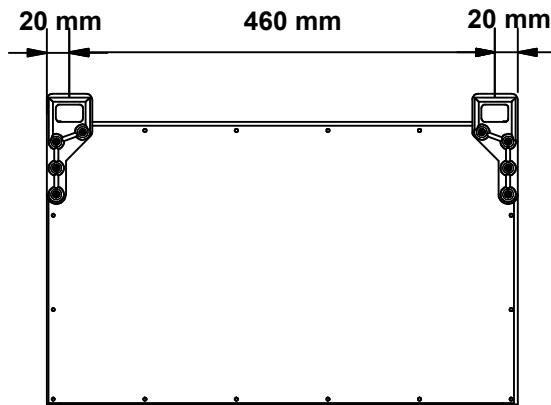
**1** §2



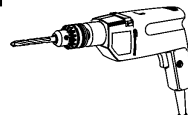
2 §6



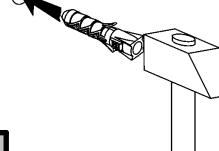
3



φ10 mm



f35



f35



p127



f35