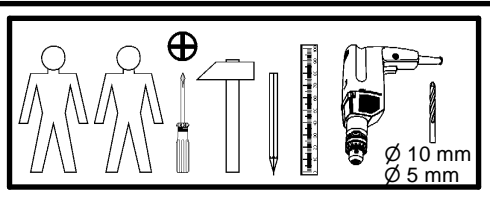
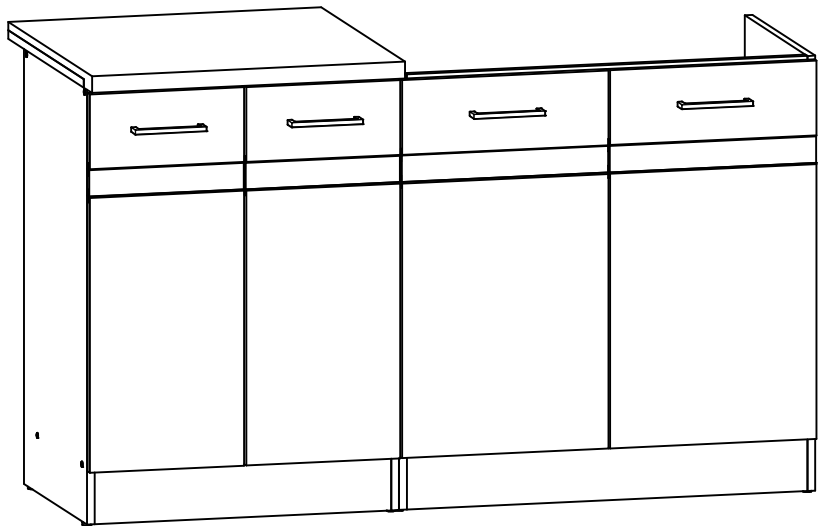
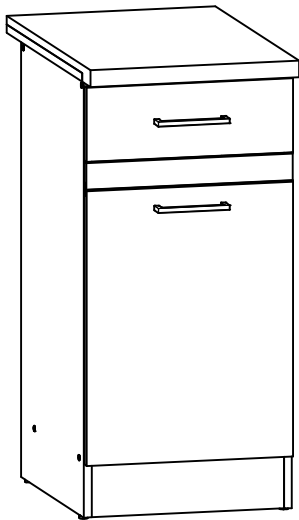
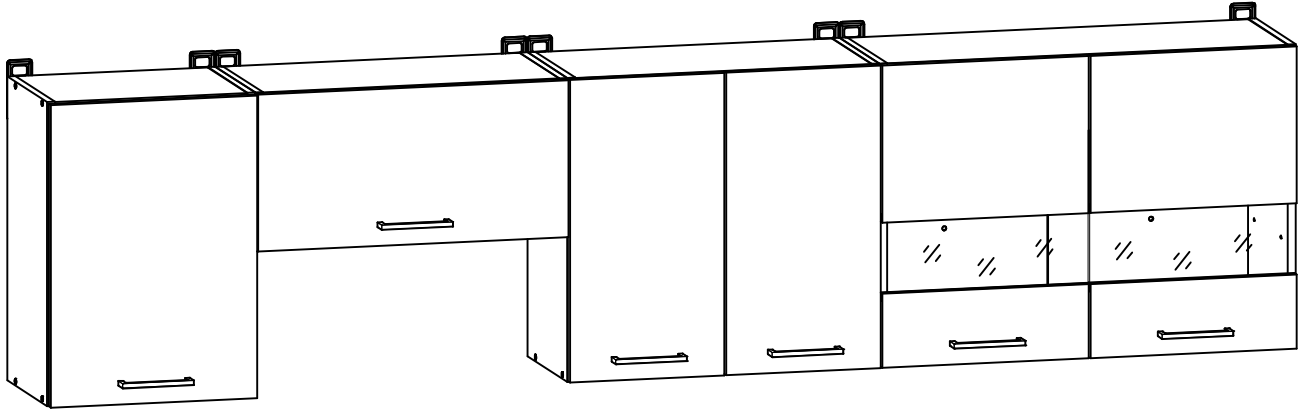
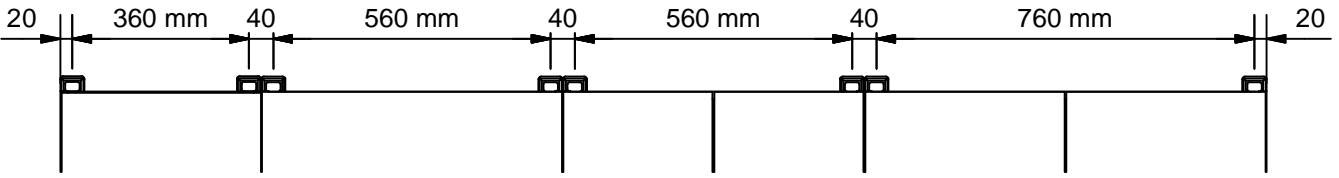


**A**

**K24-JUNONA 240**



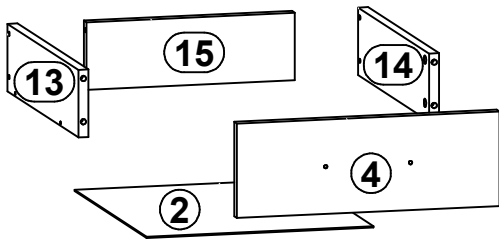
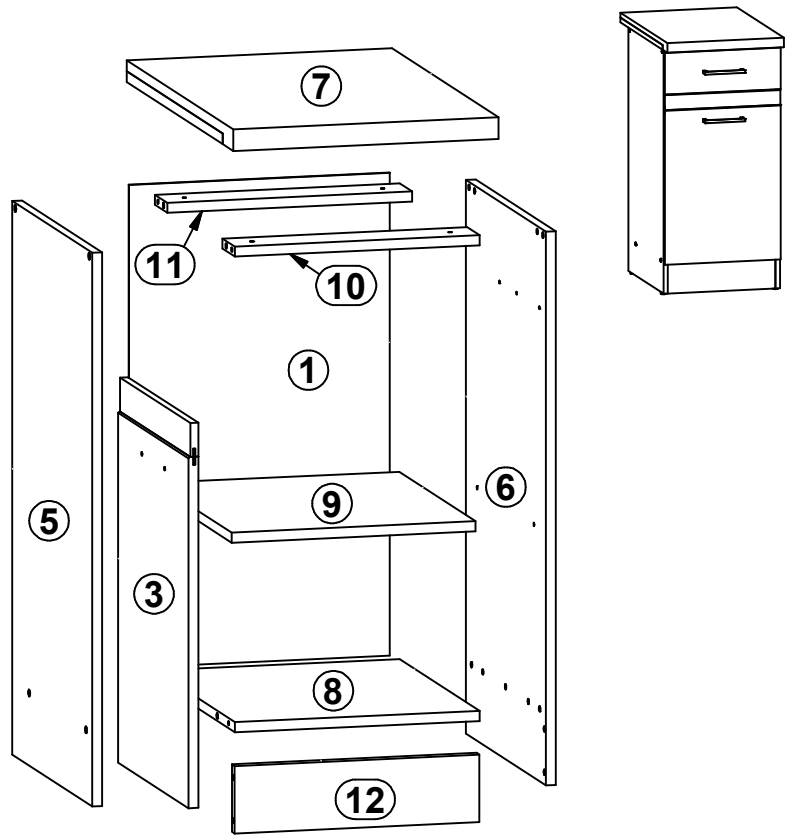
22x  <b>a2</b>	22x  <b>b1</b>	12x  128mm <b>c405</b>	20x  φ5x17 mm <b>d1</b>	56x  φ7x50 mm <b>e1</b>	4x  φ5x9 mm <b>e19</b>	6x  φ6x13 mm <b>e3</b>	58x  φ8x30 mm <b>f1</b>	4x  φ6.5x40 mm <b>f25</b>
8x  φ10x50 mm <b>f35</b>	12x  <b>k1</b>	175x  <b>l1</b>	1x  <b>m5\1L</b>	1x  <b>m5\2</b>	4x  <b>n16\L</b>	4x  <b>n16\P</b>	2x  φ3.5x13 mm <b>p1</b>	8x  Ø6x60 mm <b>p127</b>
32x  φ3.5x25 mm <b>p16</b>	8x  φ4x30 mm <b>p21</b>	3x  Ø3.5x16 mm <b>p38</b>	1x  φ3x25 mm <b>p48</b>	24x  φ4x22 mm <b>p60</b>	4x  Ø12x10.5 mm #12 <b>r15</b>	4x  <b>r42</b>	1x  400 mm <b>w5\CL</b>	1x  400 mm <b>w5\CR</b>
1x  400 mm <b>w5\DL</b>	1x  400 mm <b>w5\DR</b>	28x  <b>s1</b>	2x  <b>z1</b>					

**A**

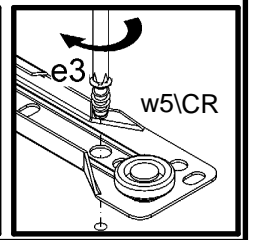
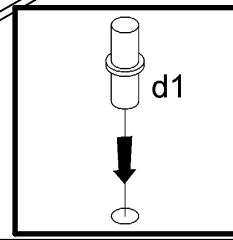
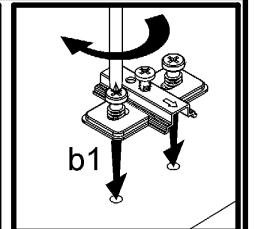
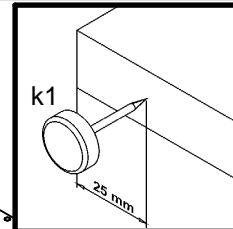
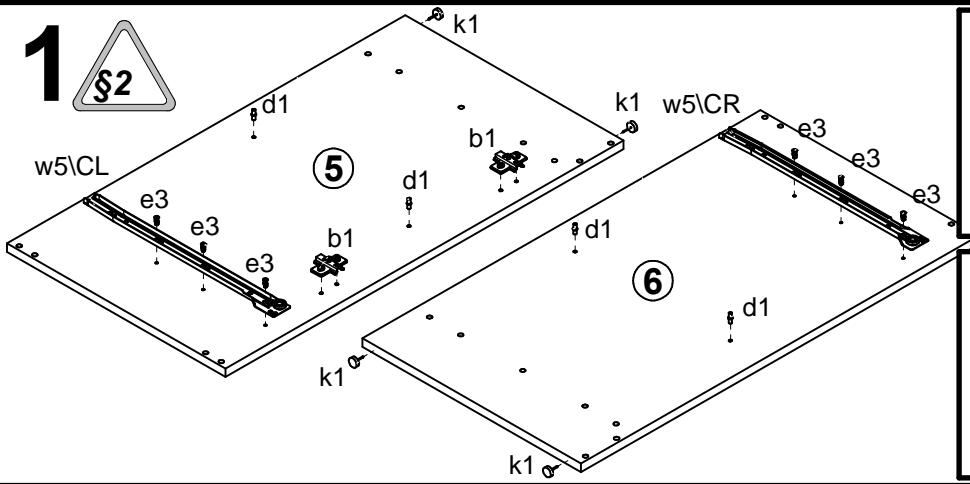
# JUNONA LINE

**K24-D1D1S/40/82**

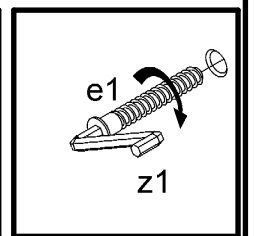
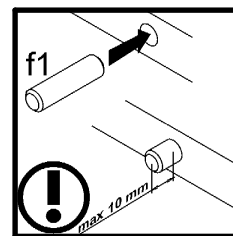
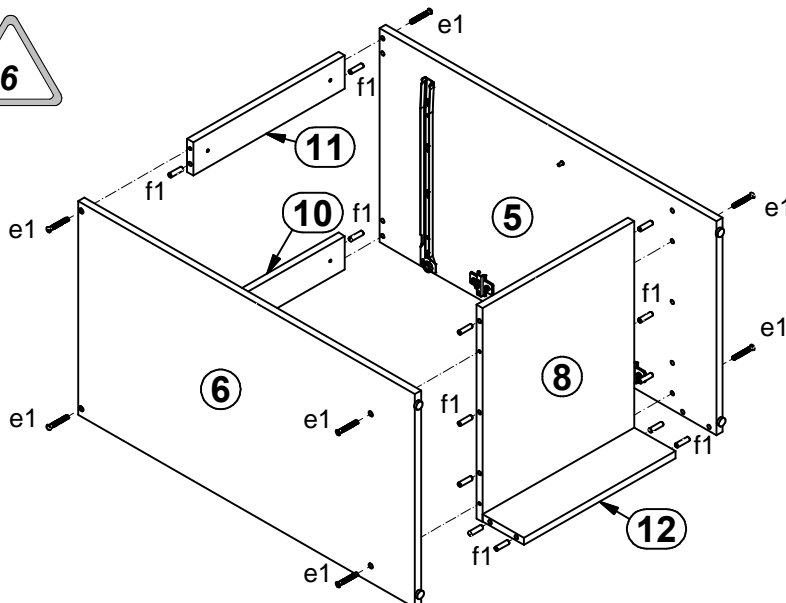
A	B	C	D
1	K22-906	715	393
2	K22-922	406	342
3	K24-024	396	570
4	K24-032	396	140
5	K24-103	820	450
6	K24-104	820	450
7	K24-203	400	600
8	K24-307	369	450
9	K24-308	368	430
10	K24-411	369	70
11	K24-412	369	70
12	K24-413	369	100
13	K24-501	400	100
14	K24-502	400	100
15	ZS3-5527	314	100

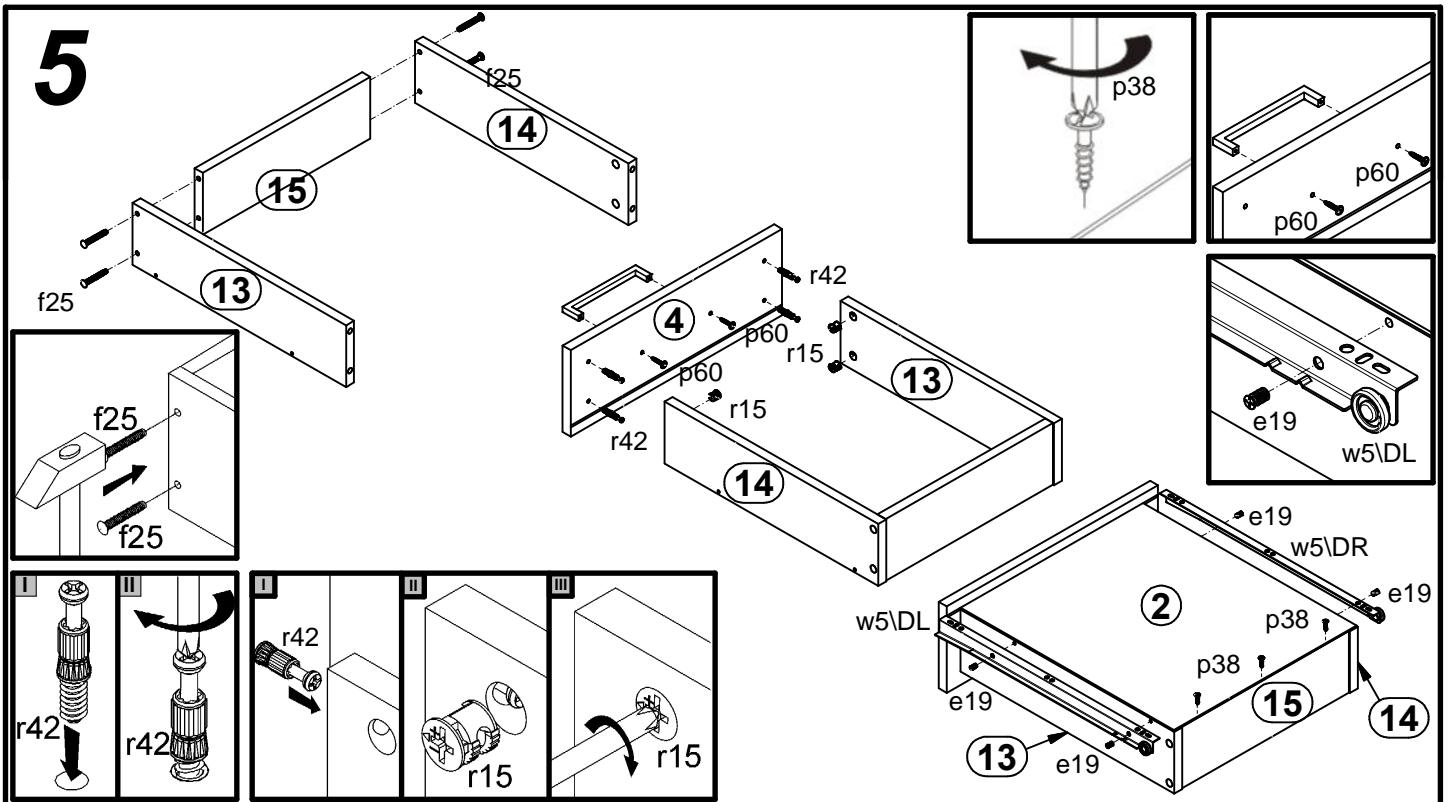
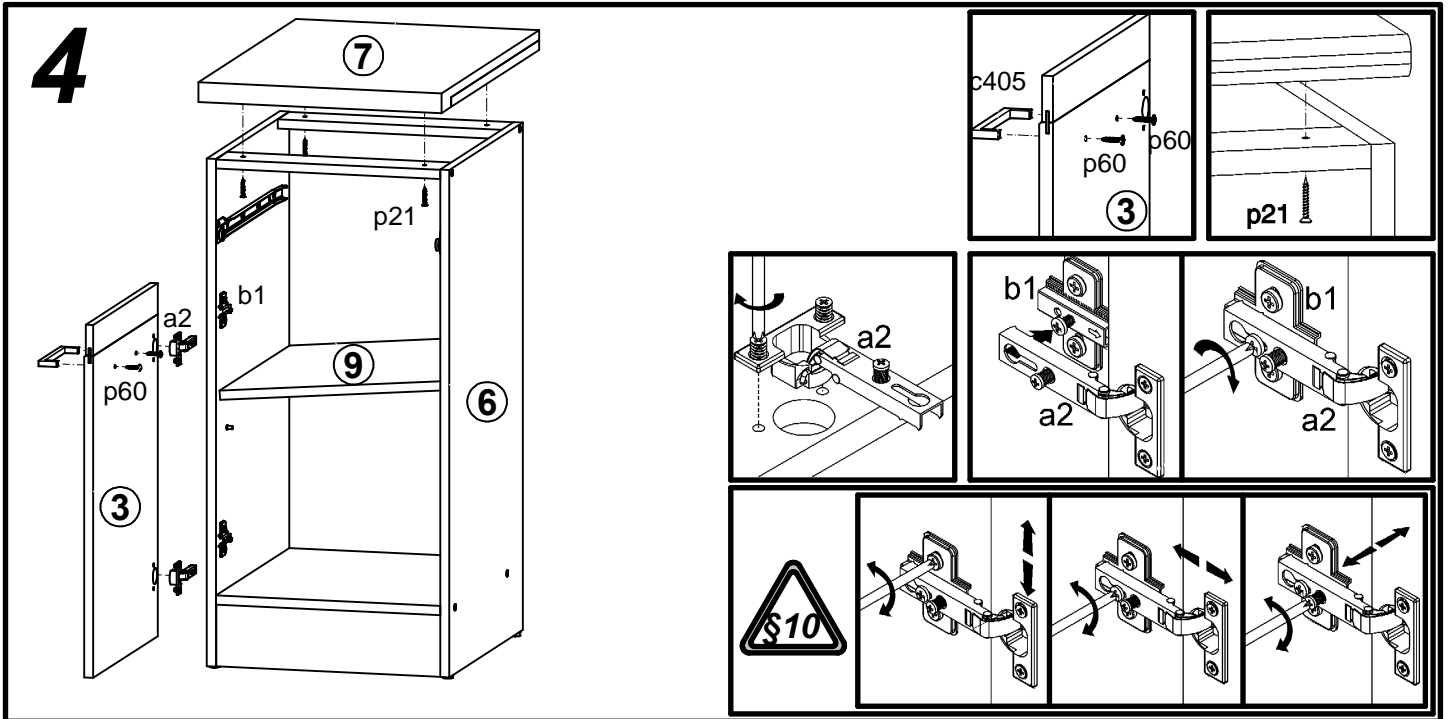
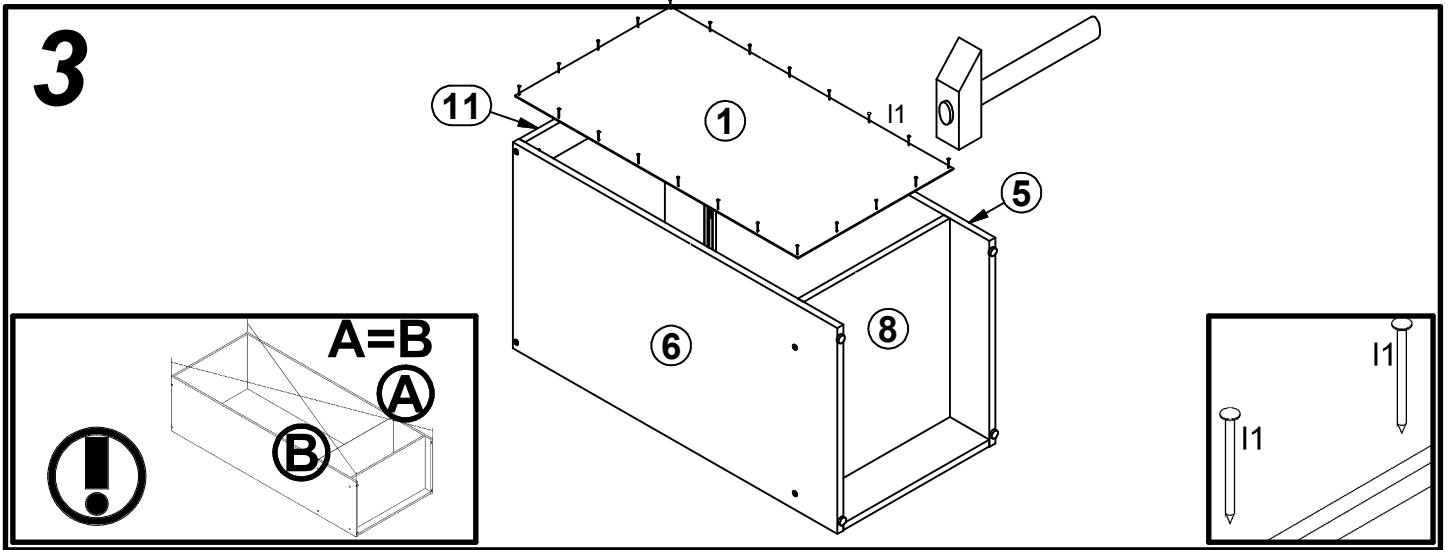


**1** §2



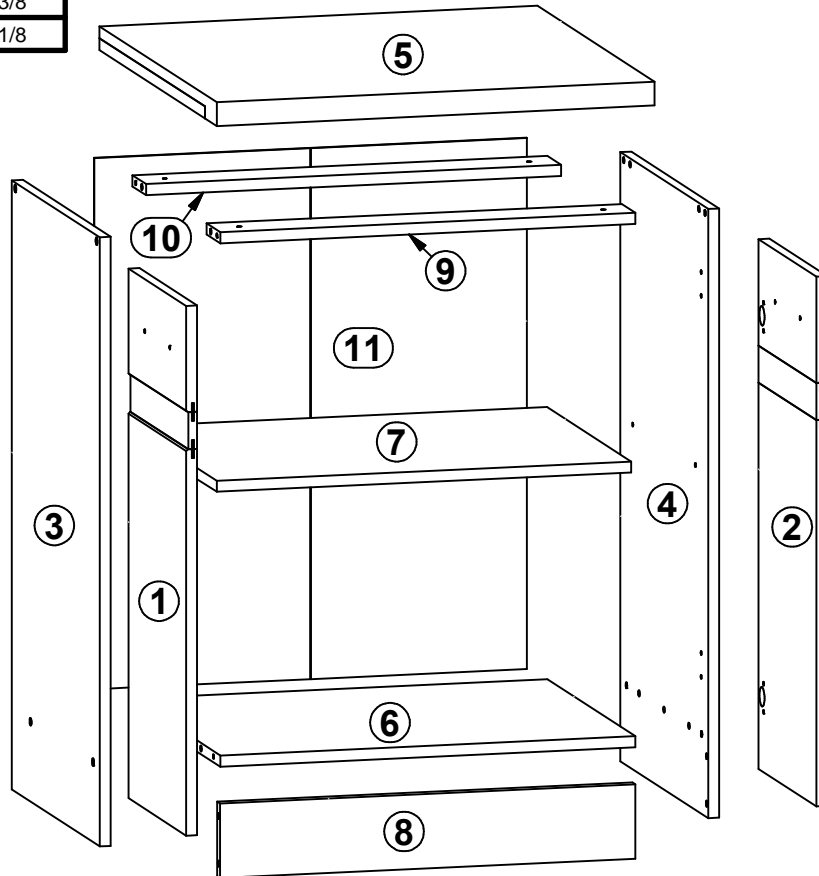
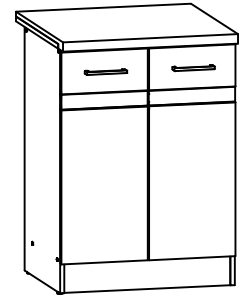
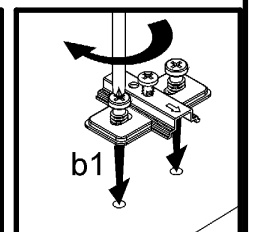
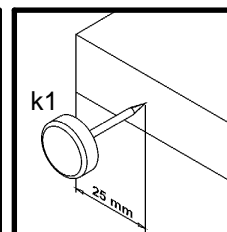
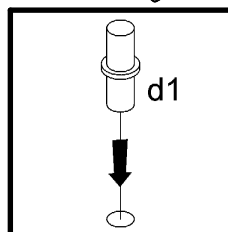
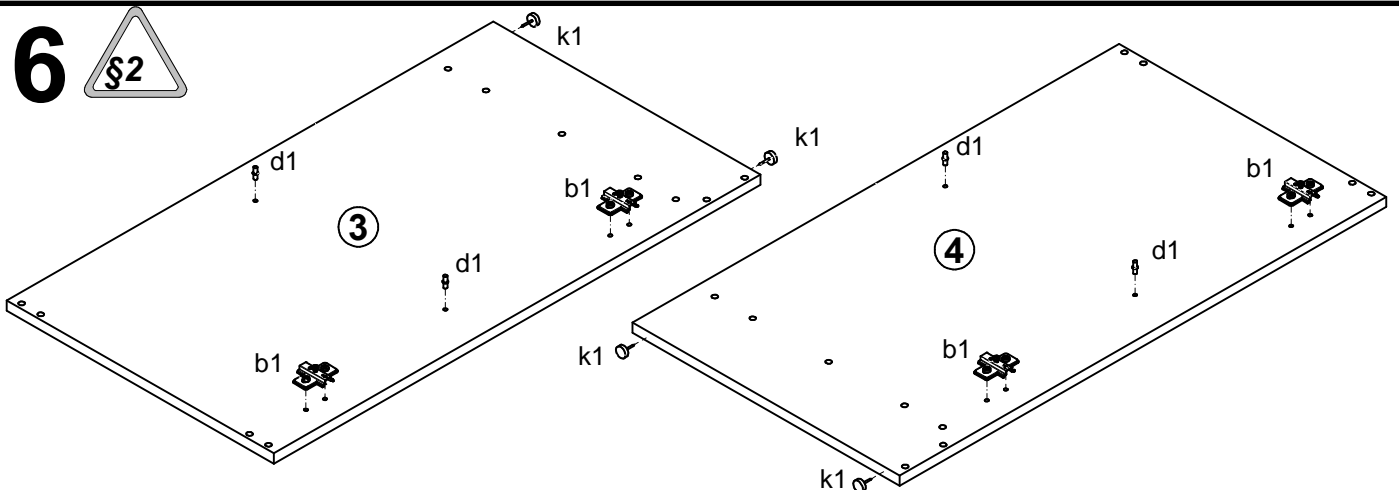
**2** §6

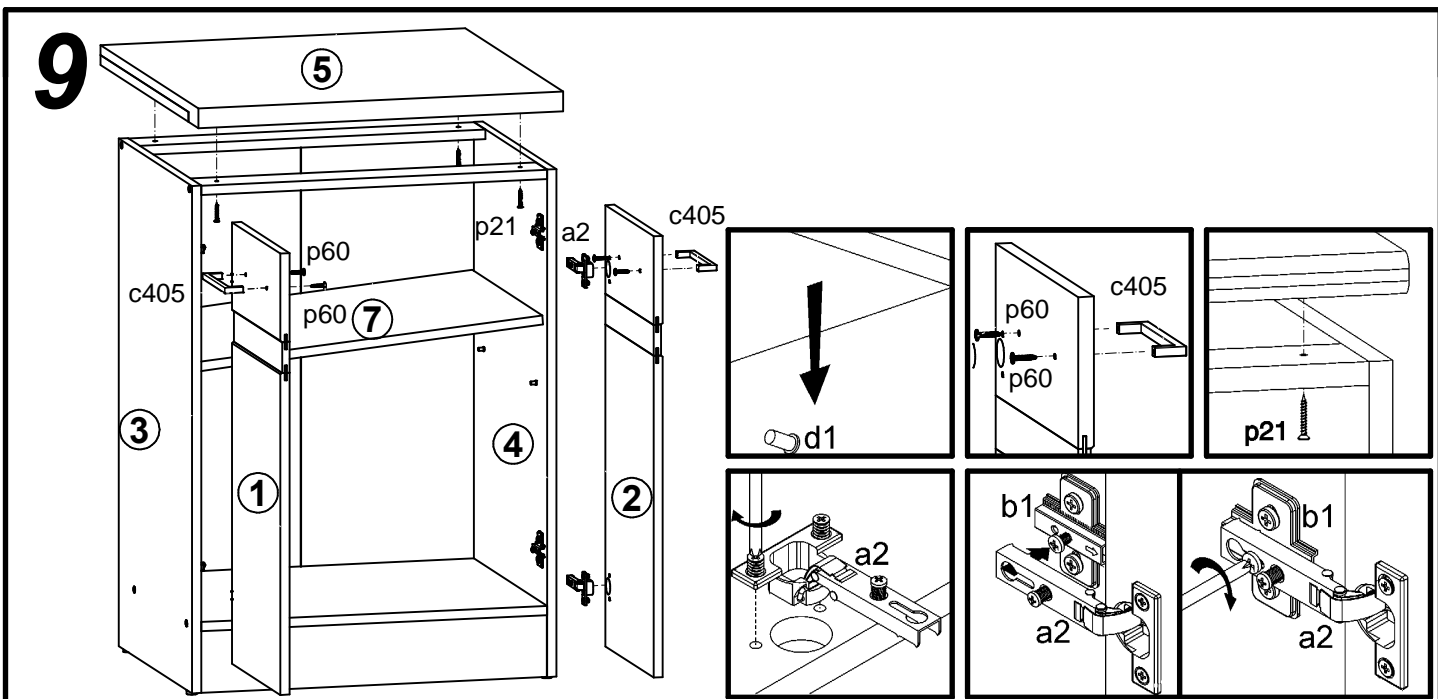
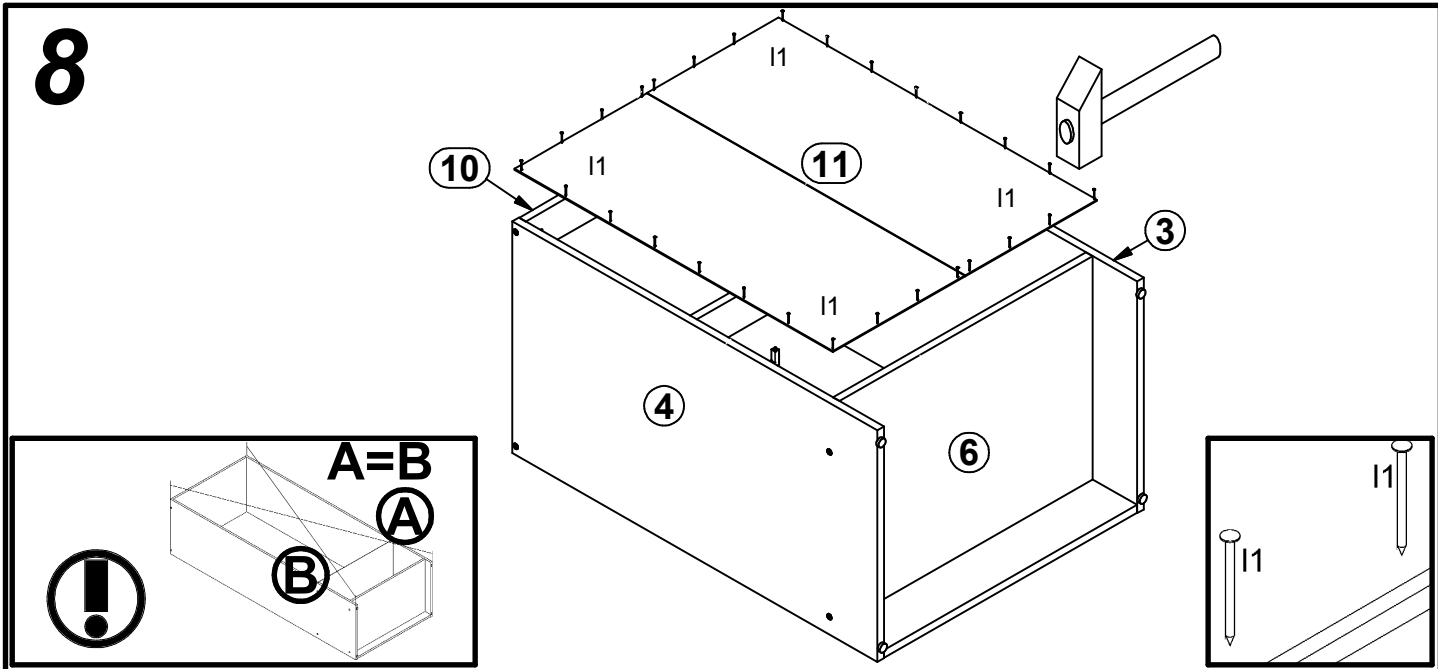
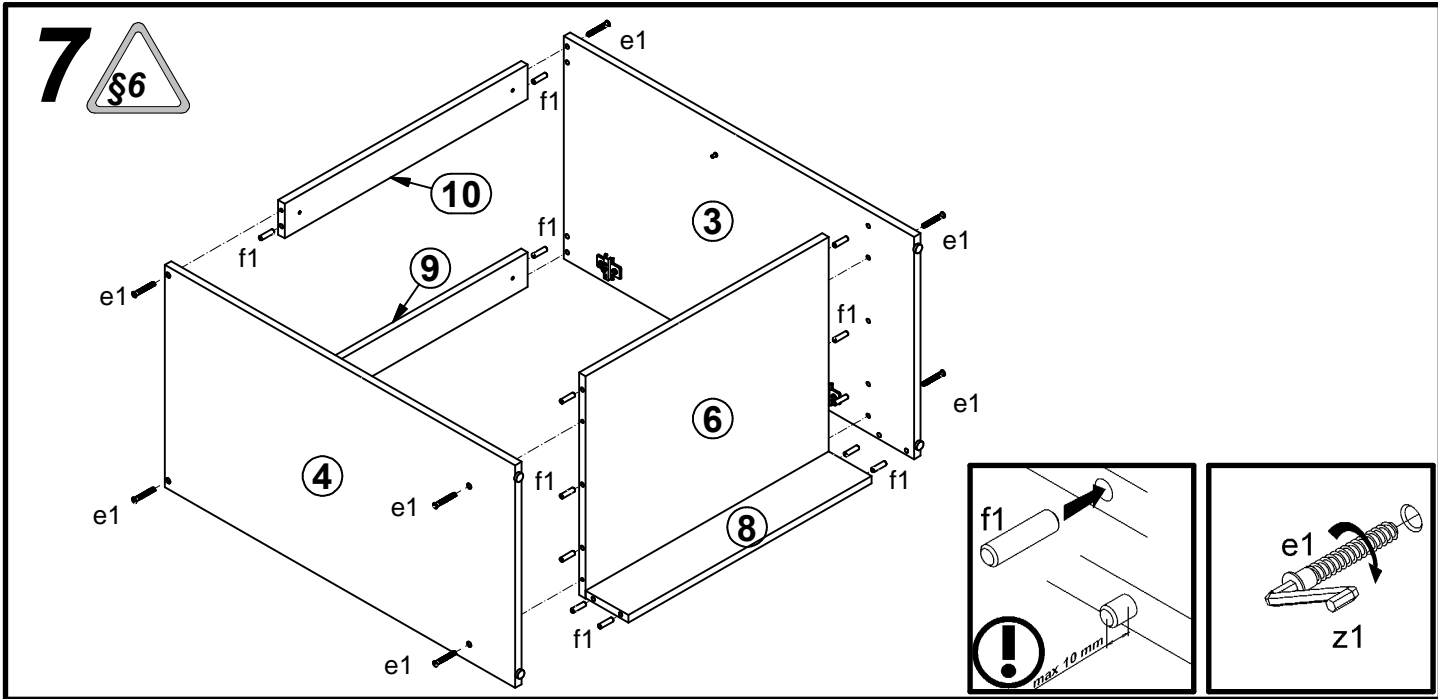




**A****JUNONA LINE****K24-D2D/60/82**

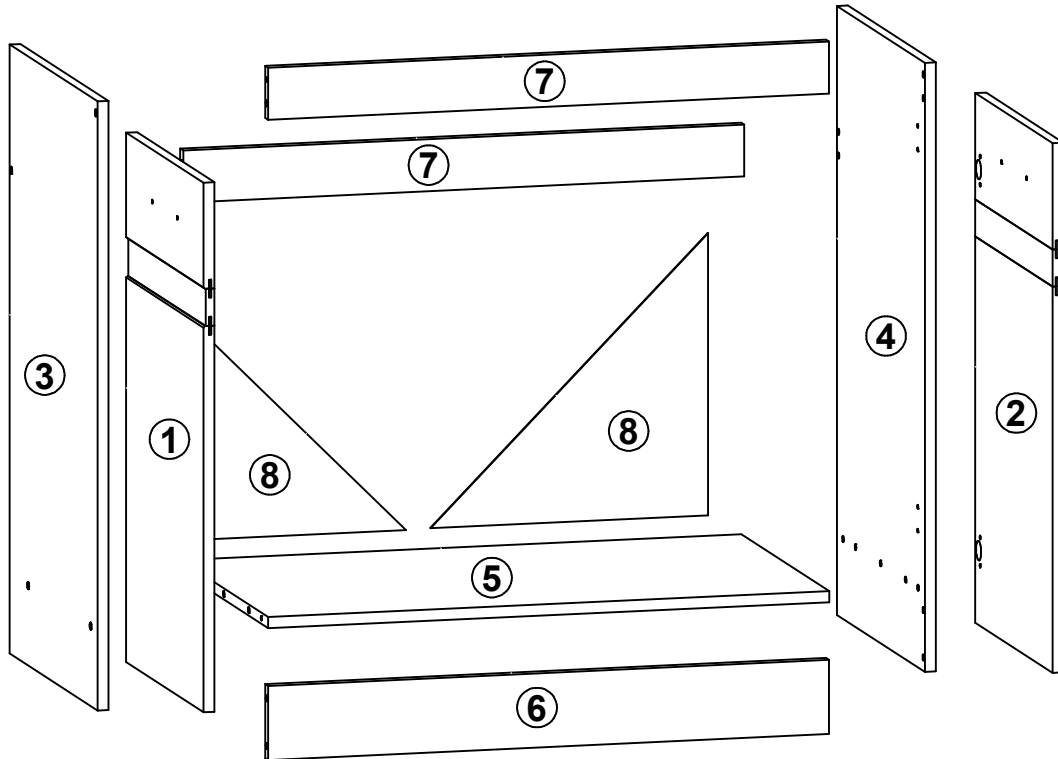
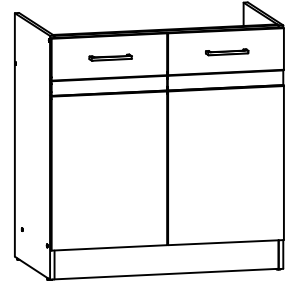
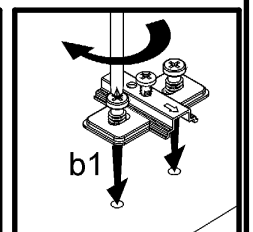
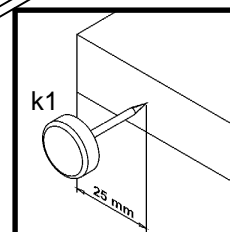
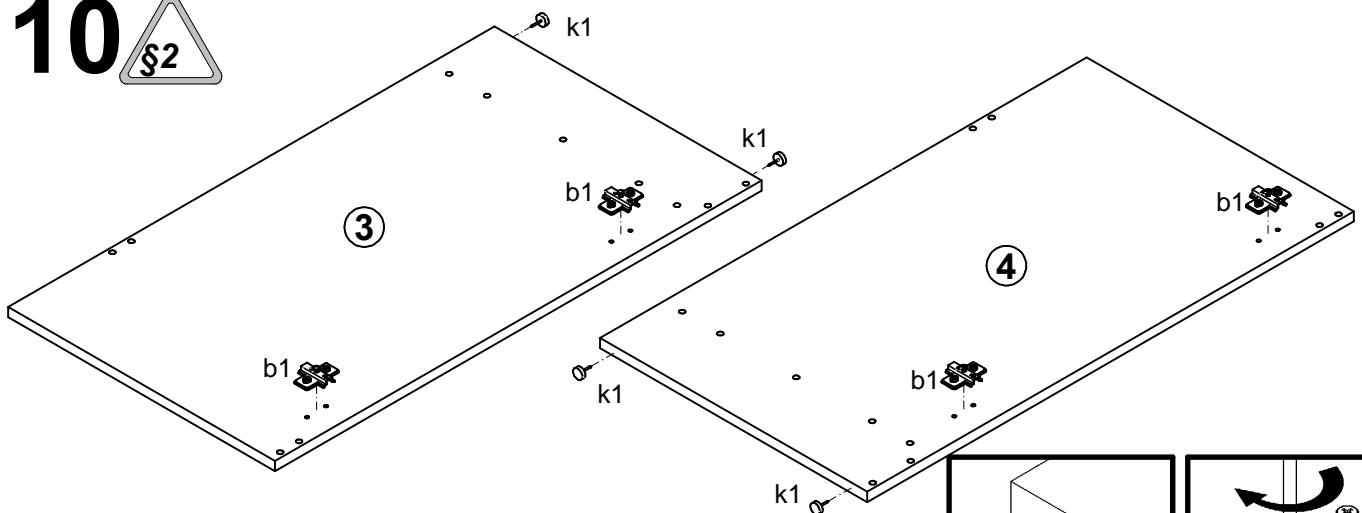
A	B	C	D
1	K24-026	296	713
2	K24-027	296	713
3	K24-107	820	450
4	K24-108	820	450
5	K24-206	600	600
6	K24-341	569	450
7	K24-342	568	430
8	K24-423	569	100
9	K24-424	569	70
10	K24-425	569	70
11	K22-926	715	593

**6**

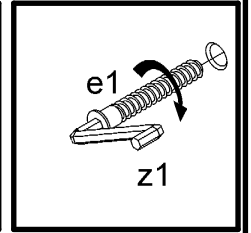
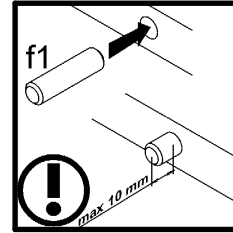
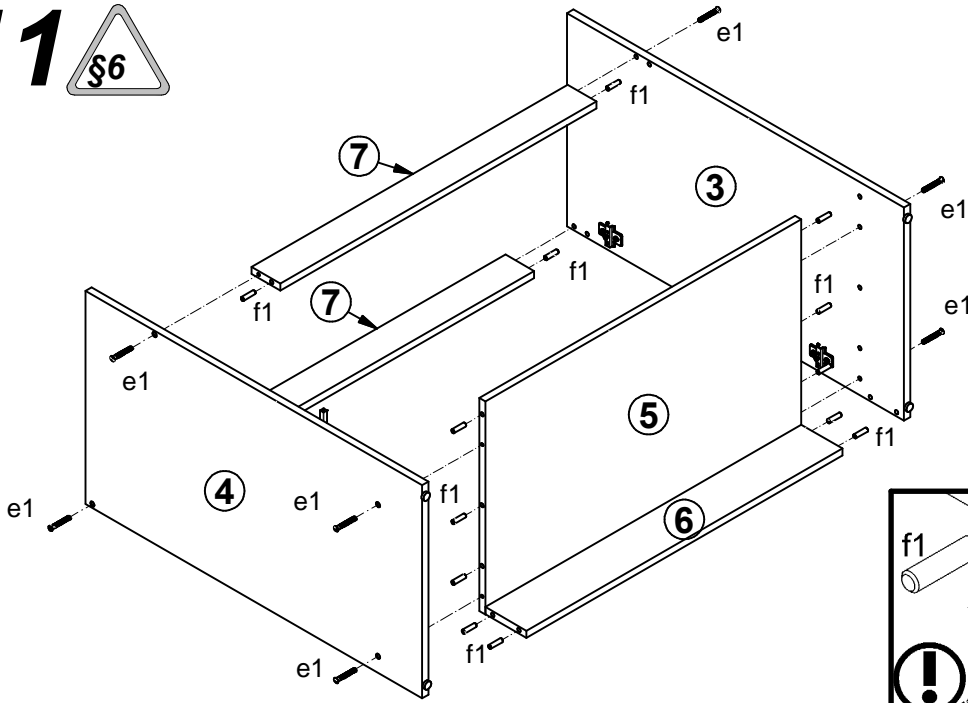


**A****JUNONA LINE****K24-DK2D/80/82**

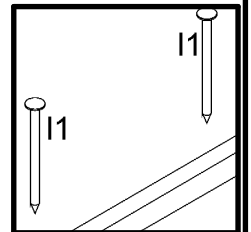
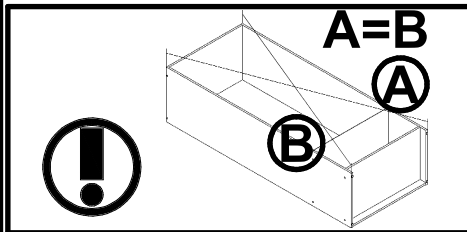
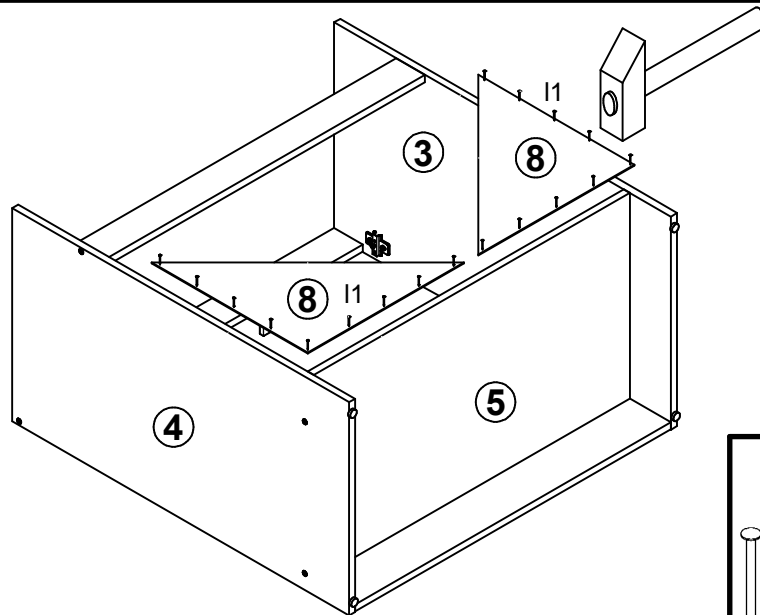
A	B	C	D
1	K24-020	396	713
2	K24-021	396	713
3	K24-116	820	450
4	K24-117	820	450
5	K24-327	769	450
6	K24-417	769	100
7	K24-418	769	70
8	K22-918	380	380

**10**

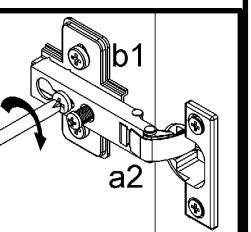
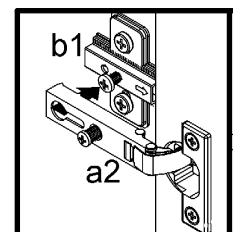
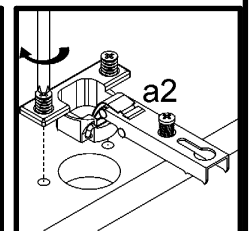
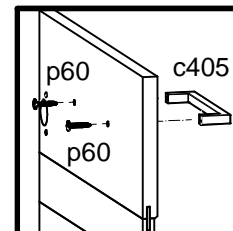
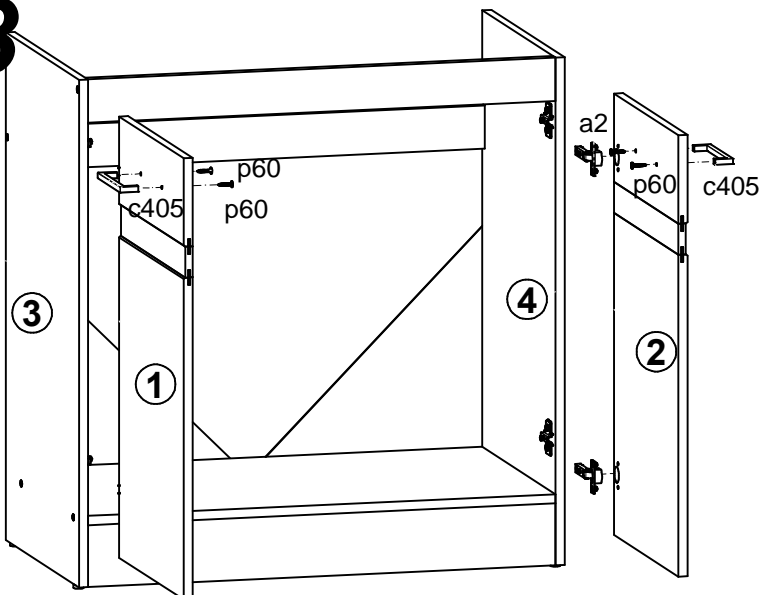
# 11



# 12

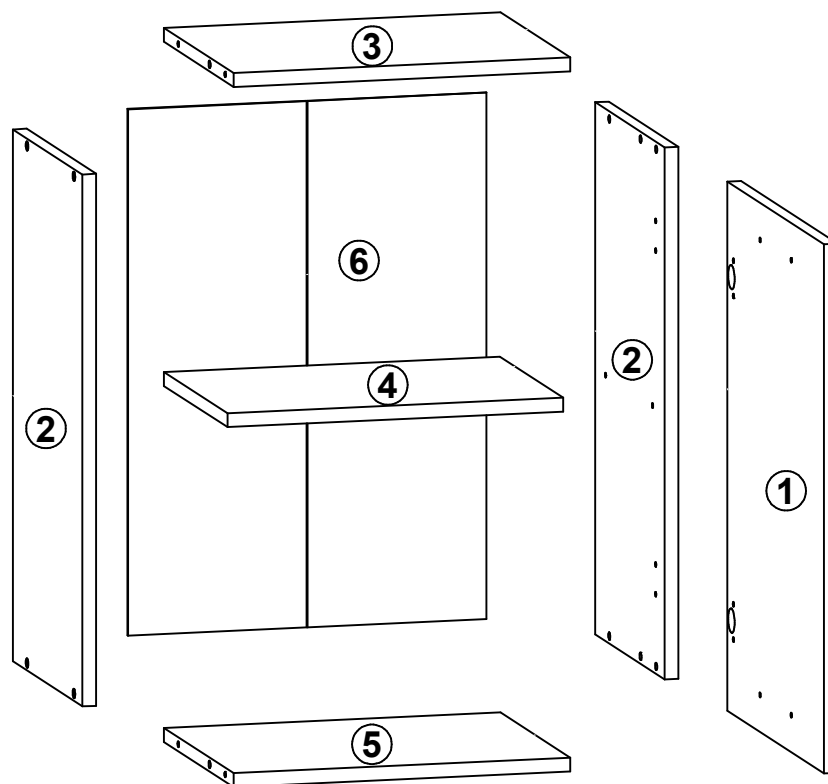
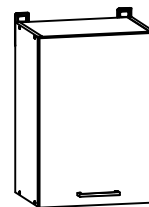
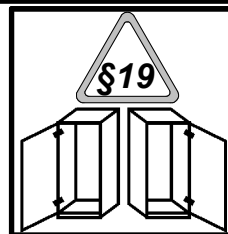
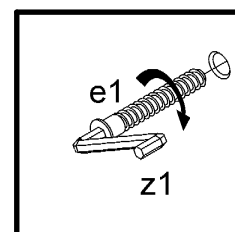
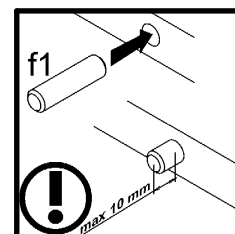
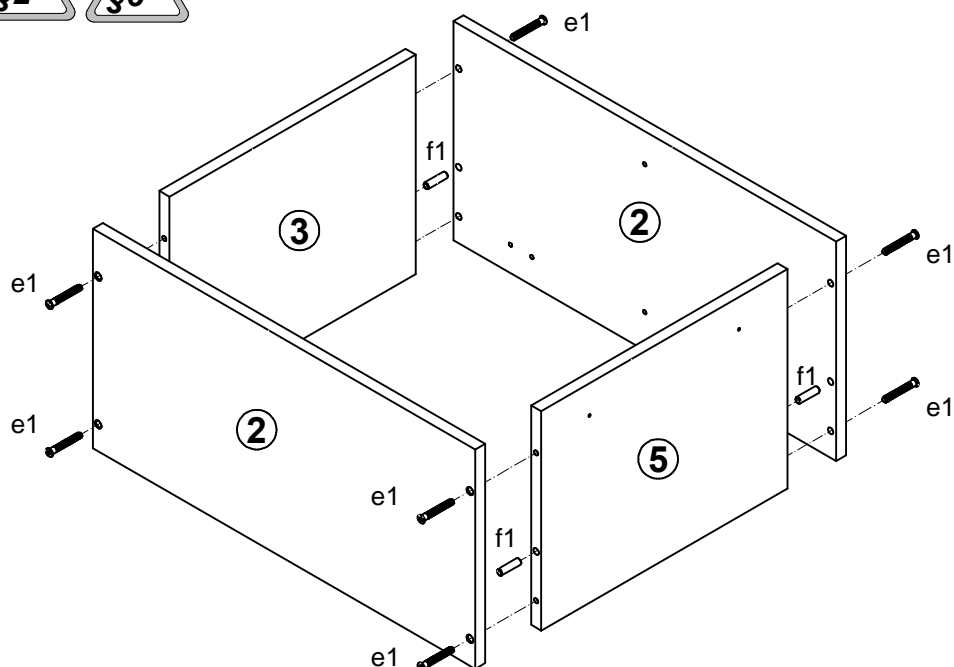


# 13

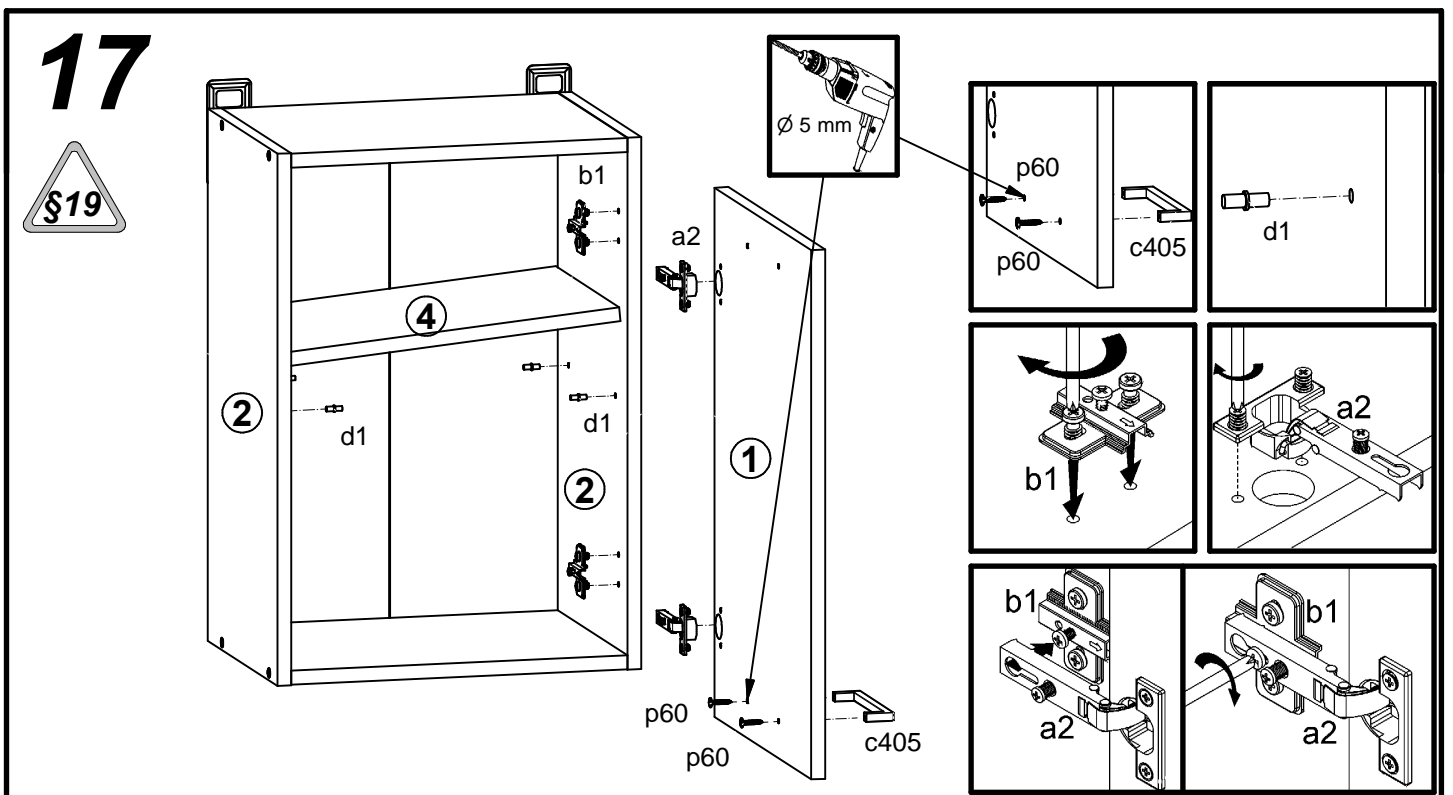
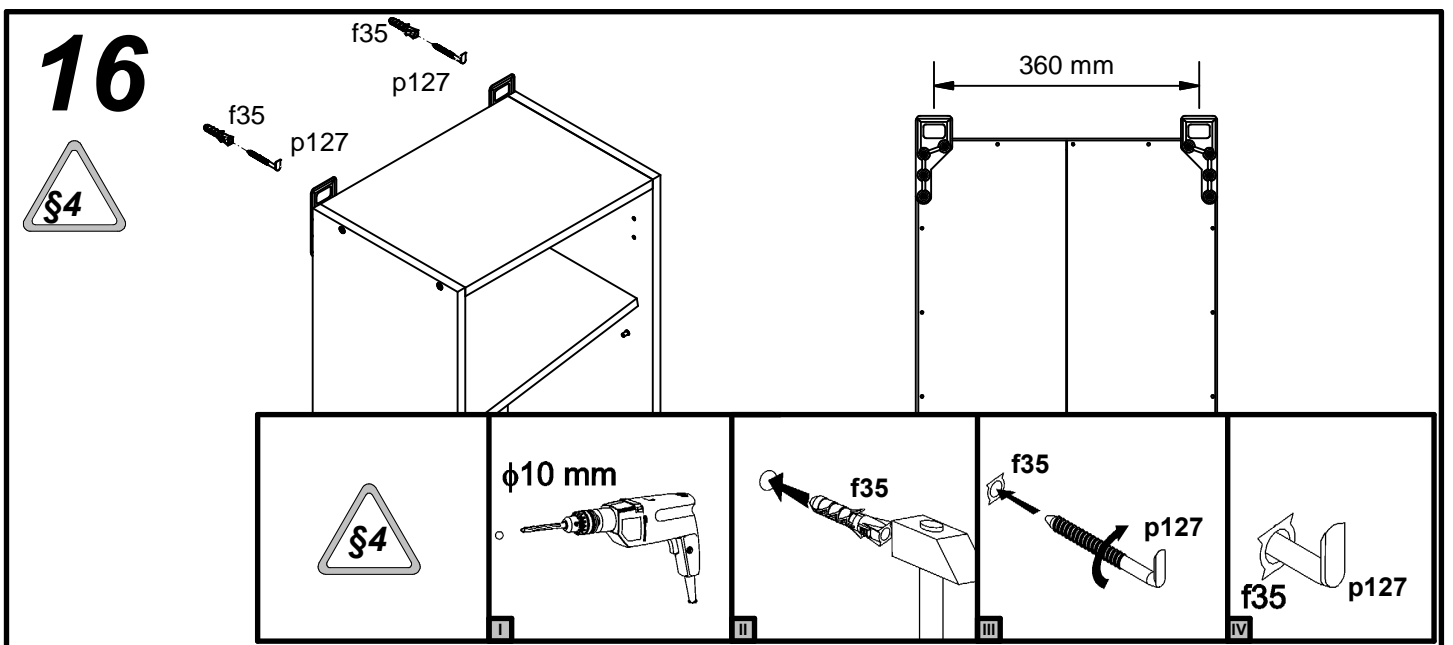
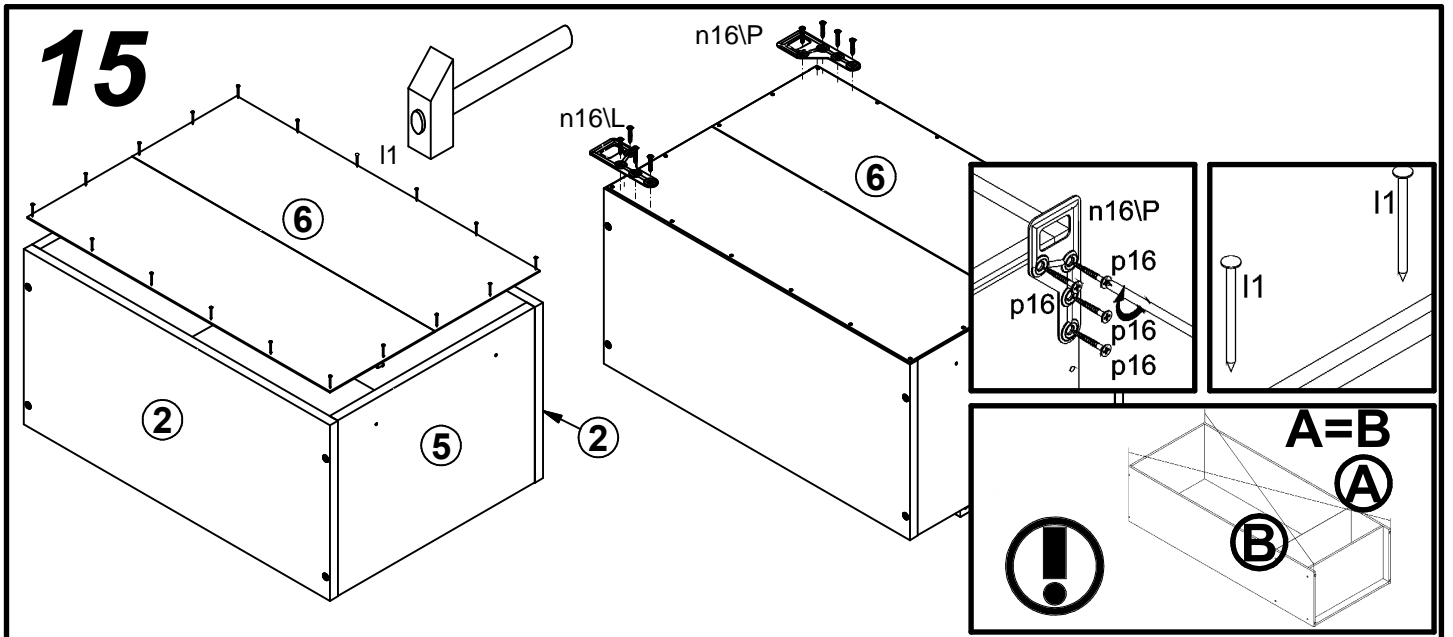


**A****JUNONA LINE****K24-G1D/40/57-LP**

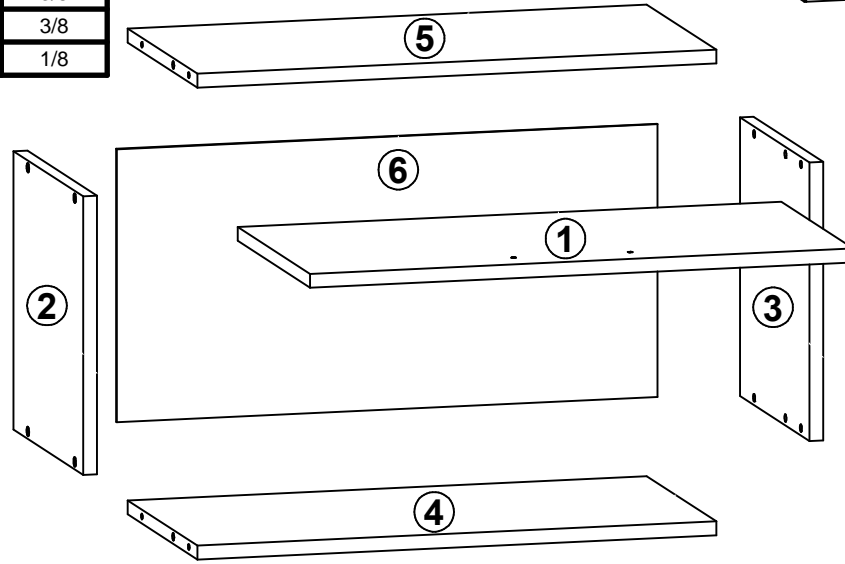
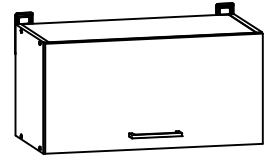
A	B	C	D	
1	K24-029	396	570	8/8
2	K24-101	573	285	3/8
3	K24-311	369	285	4/8
4	K24-312	368	260	4/8
5	K24-323	369	285	4/8
6	K22-908	567	393	1/8

**14**

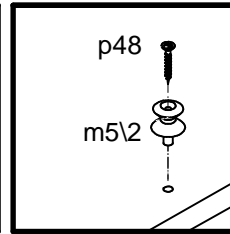
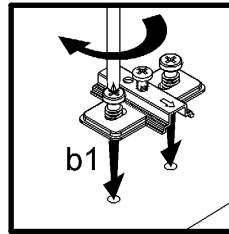
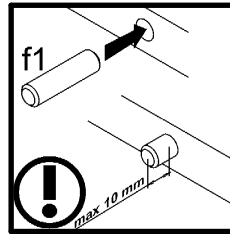
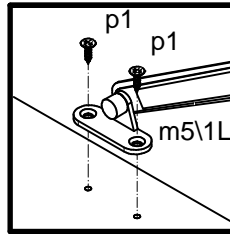
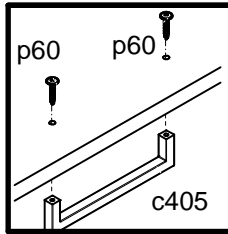
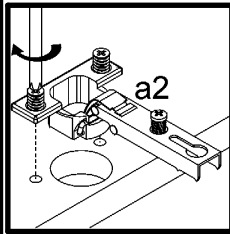
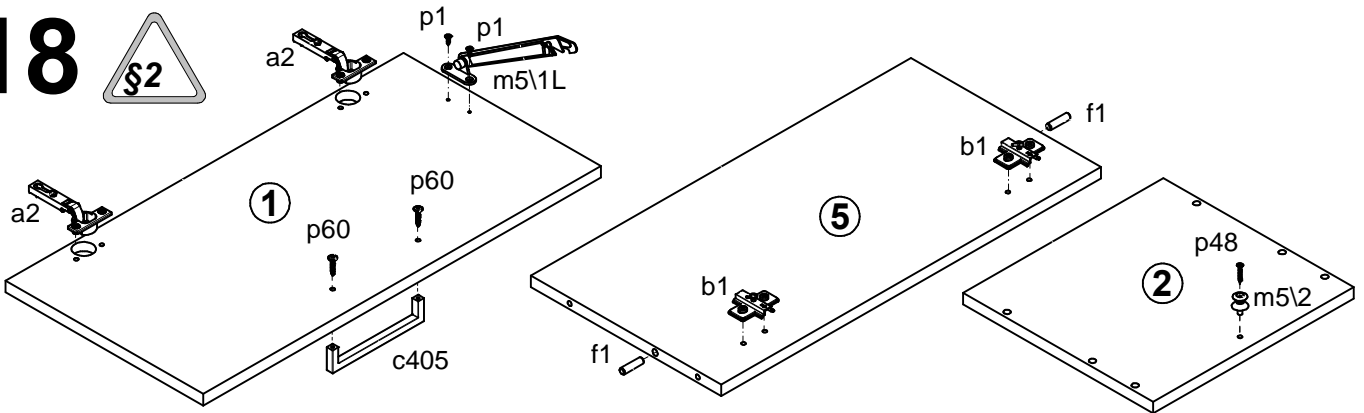




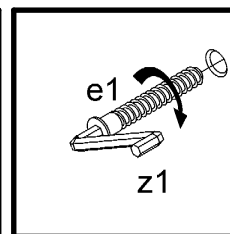
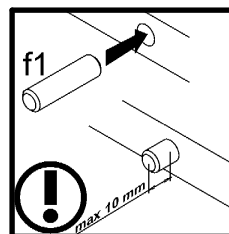
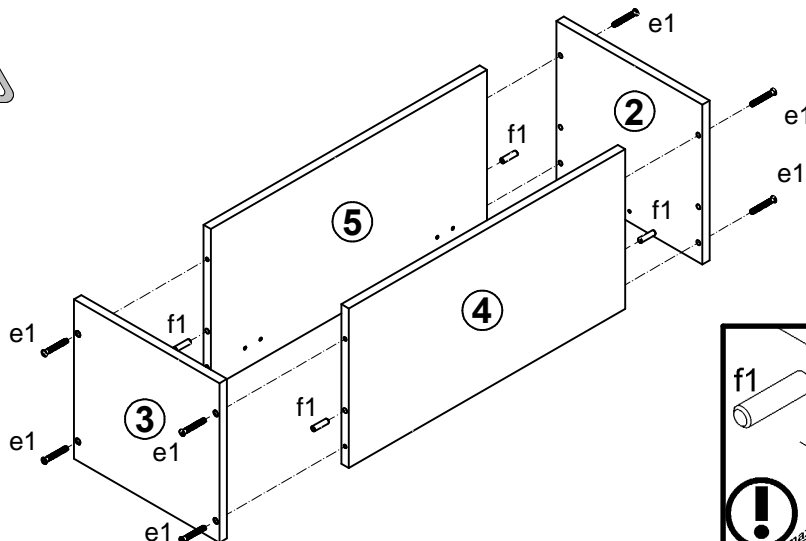
A	B	C	D	
1	K24-019	596	296	8/8
2	K24-118	300	285	4/8
3	K24-119	300	285	4/8
4	K24-330	569	285	3/8
5	K24-331	569	285	3/8
6	K22-920	593	294	1/8

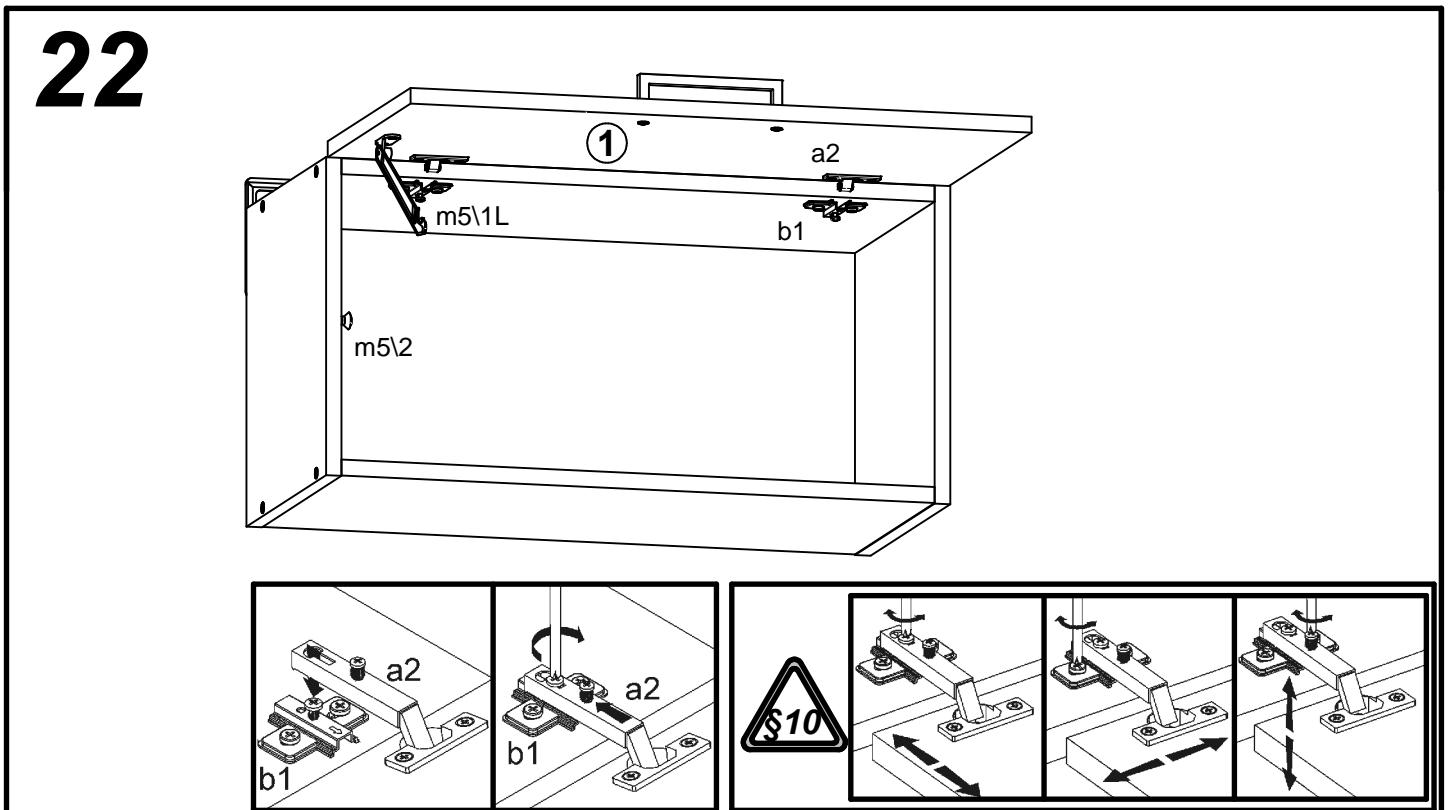
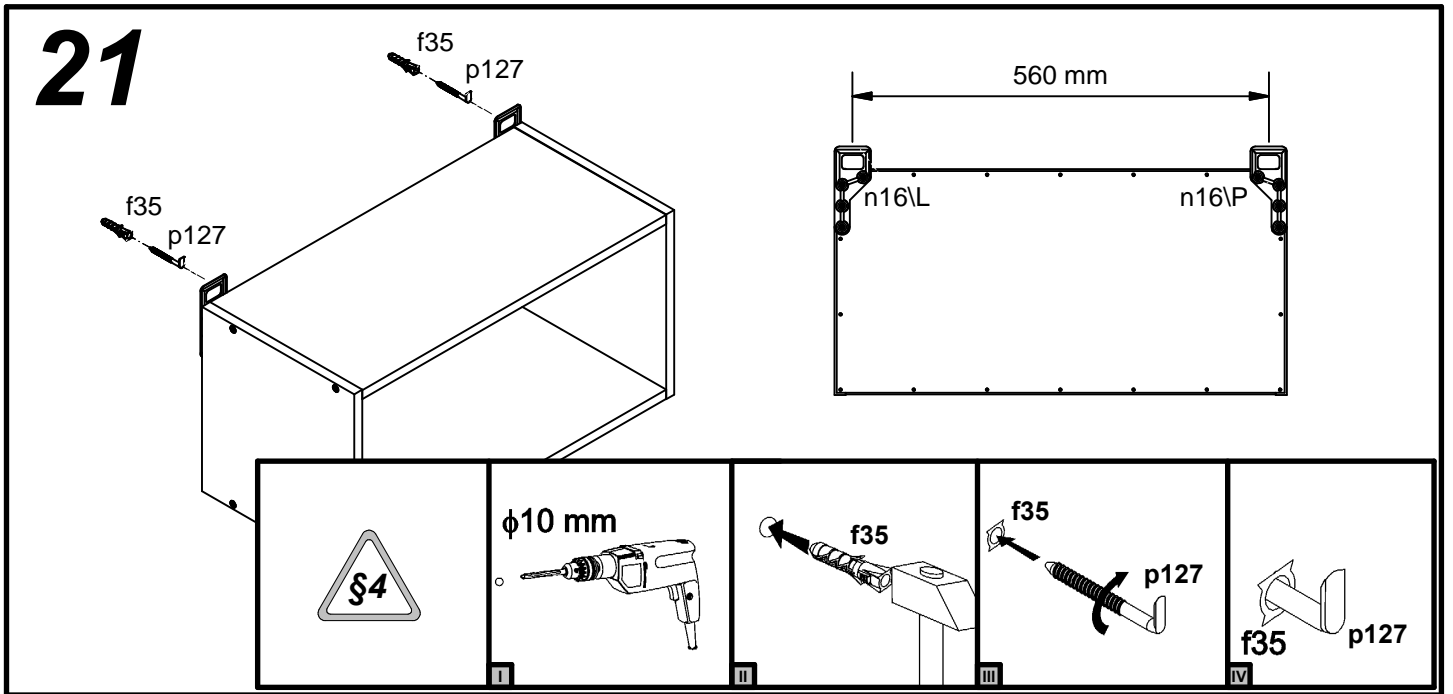
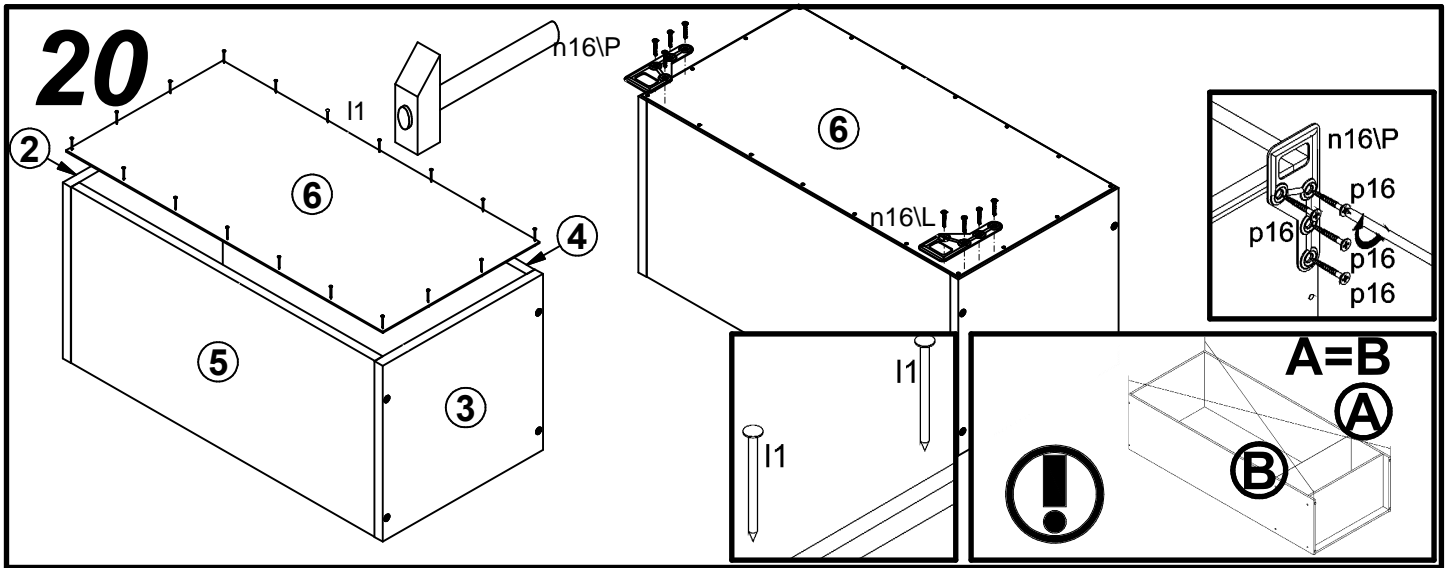


18



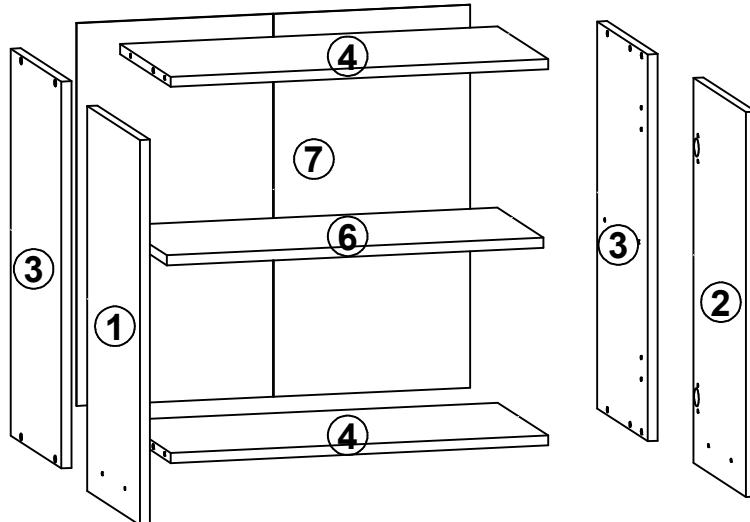
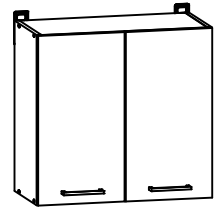
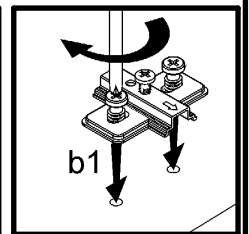
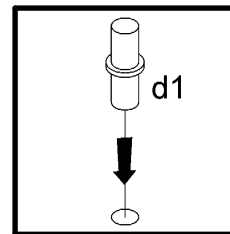
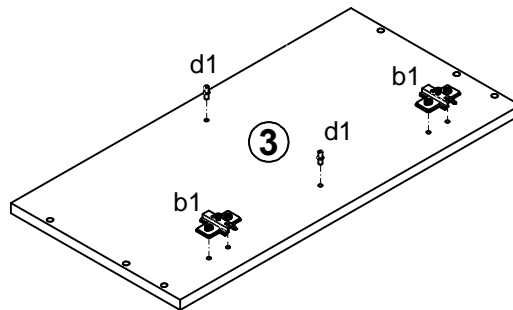
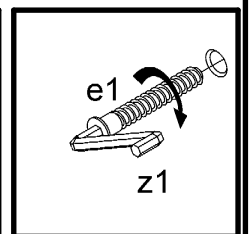
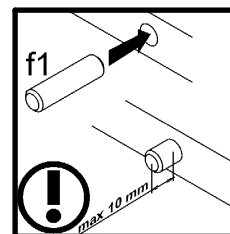
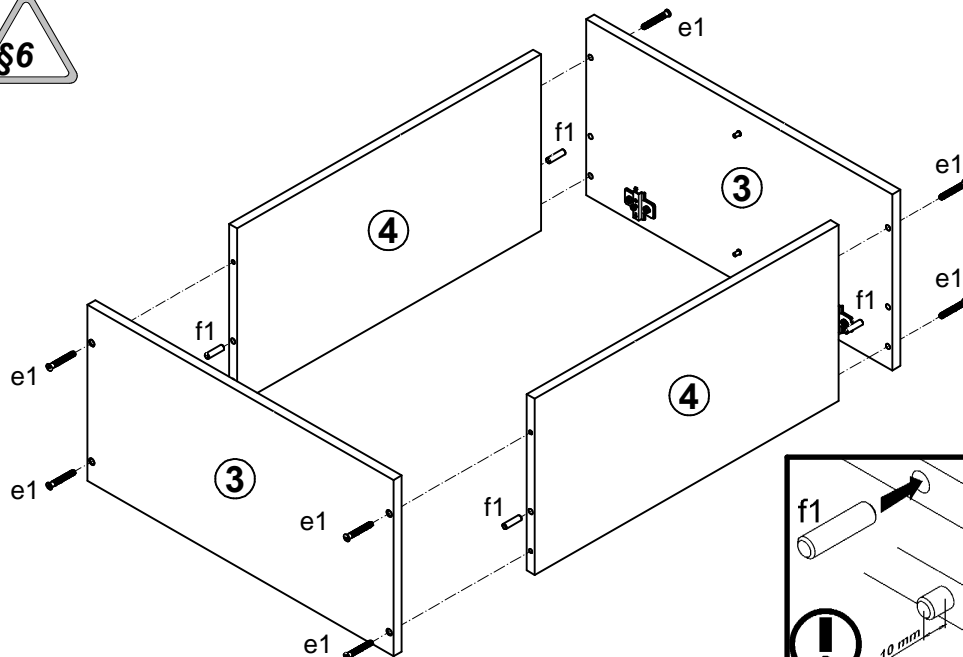
19



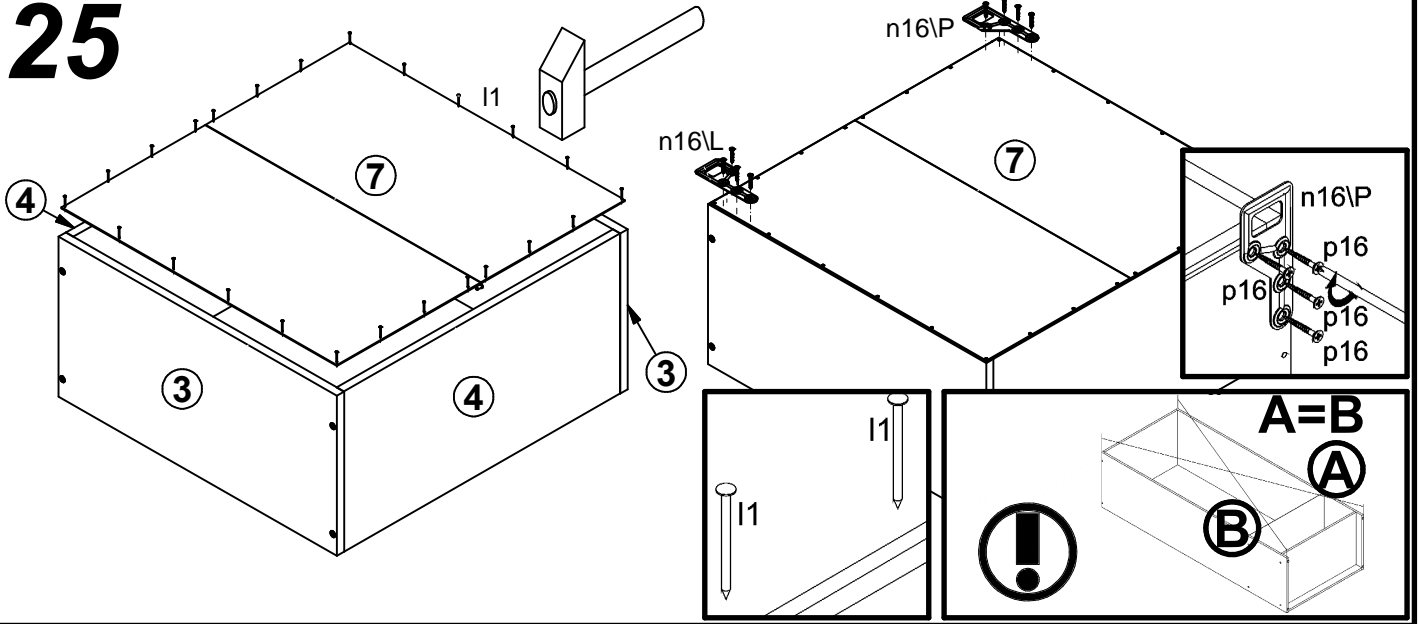


**A****JUNONA LINE****K24-G2D/60/57**

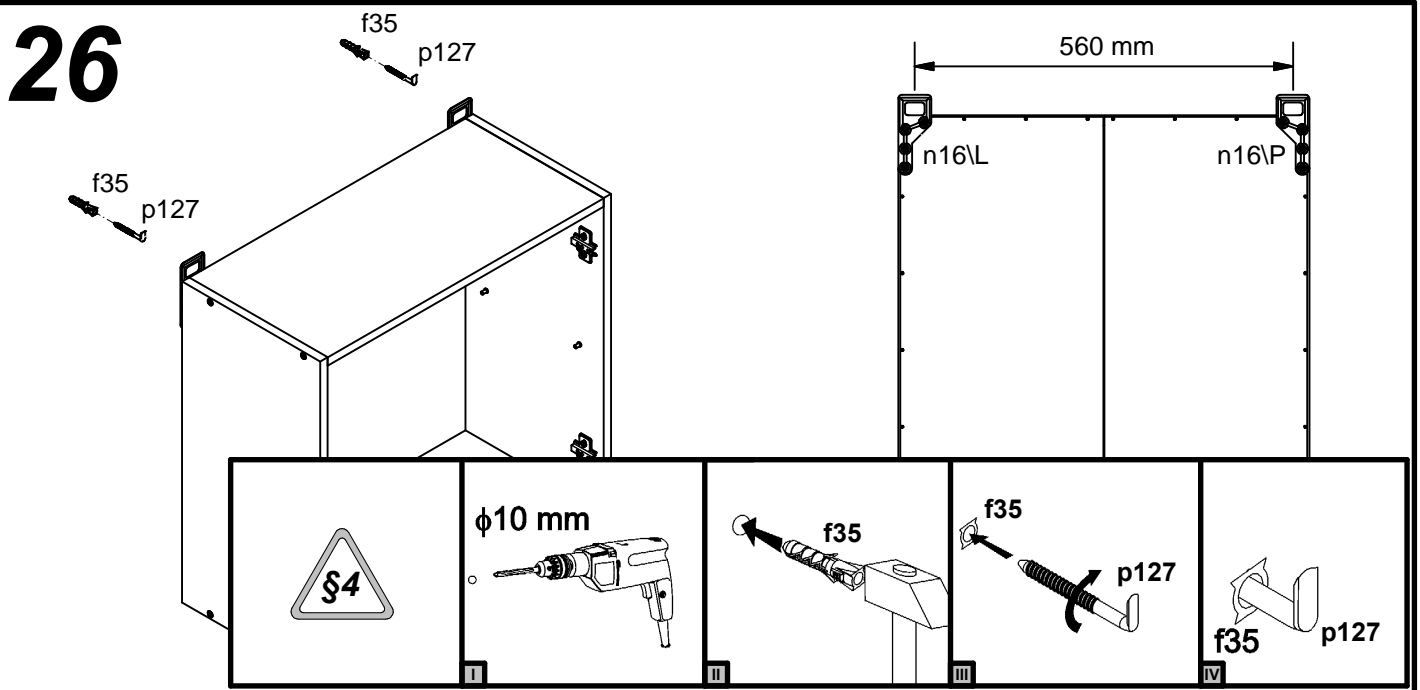
A	B	C	D
1	K24-037	296	570 8/8
2	K24-038	296	570 8/8
3	K24-101	573	285 3/8
4	K24-330	569	285 3/8
6	K24-344	568	260 3/8
7	K22-927	567	593 1/8

**23****24**

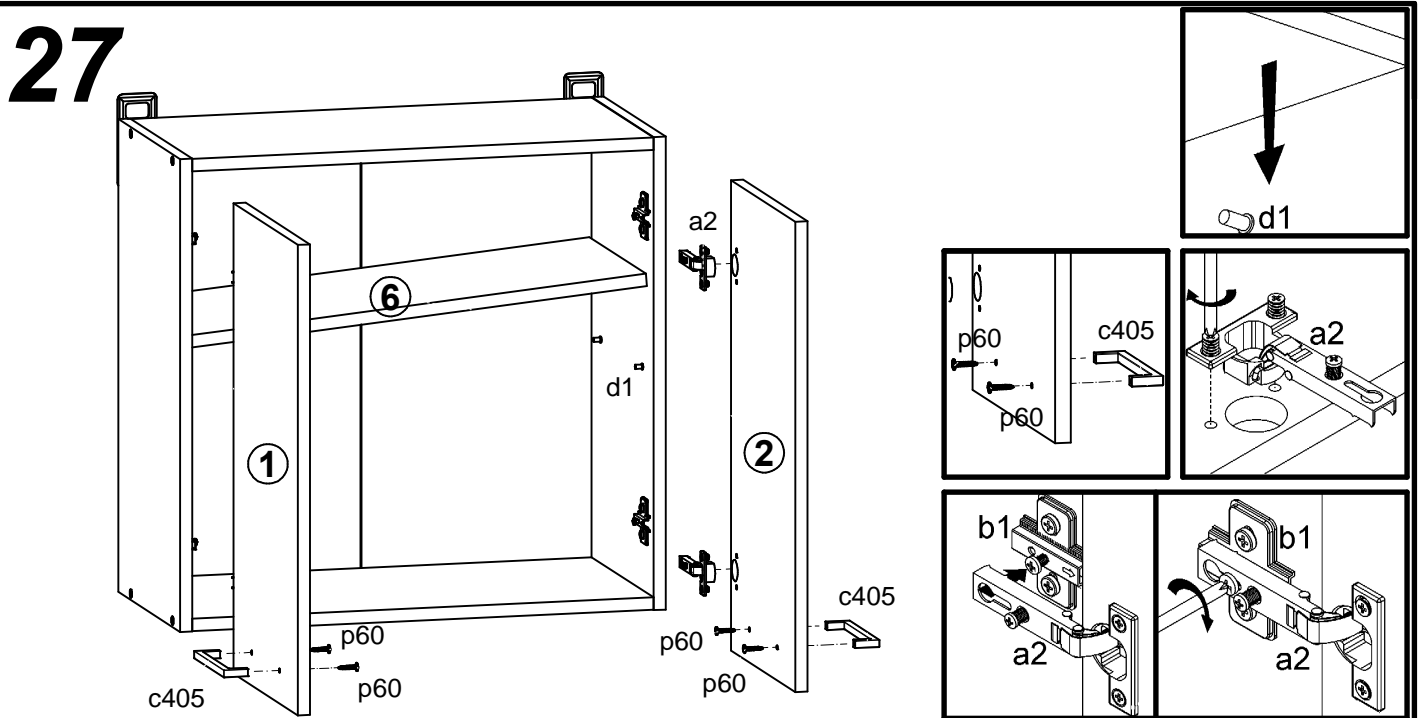
# 25



# 26

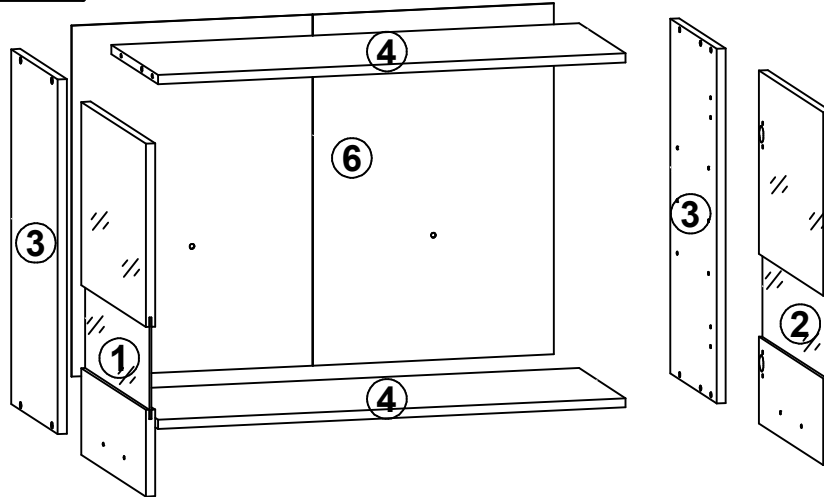
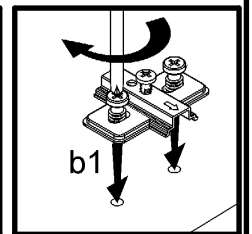
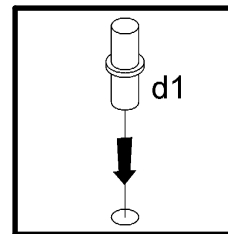
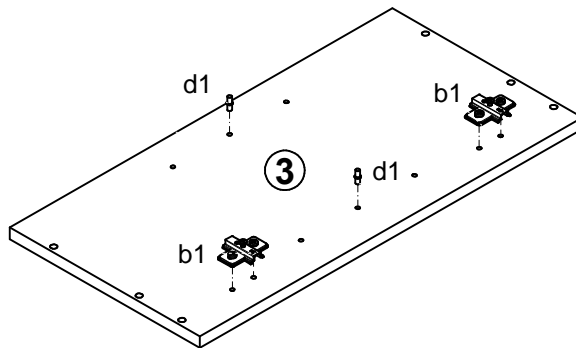
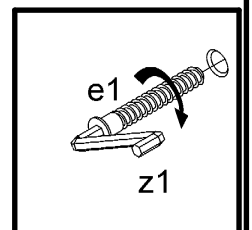
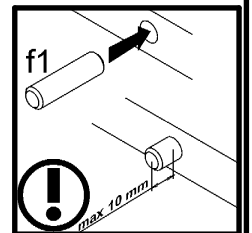
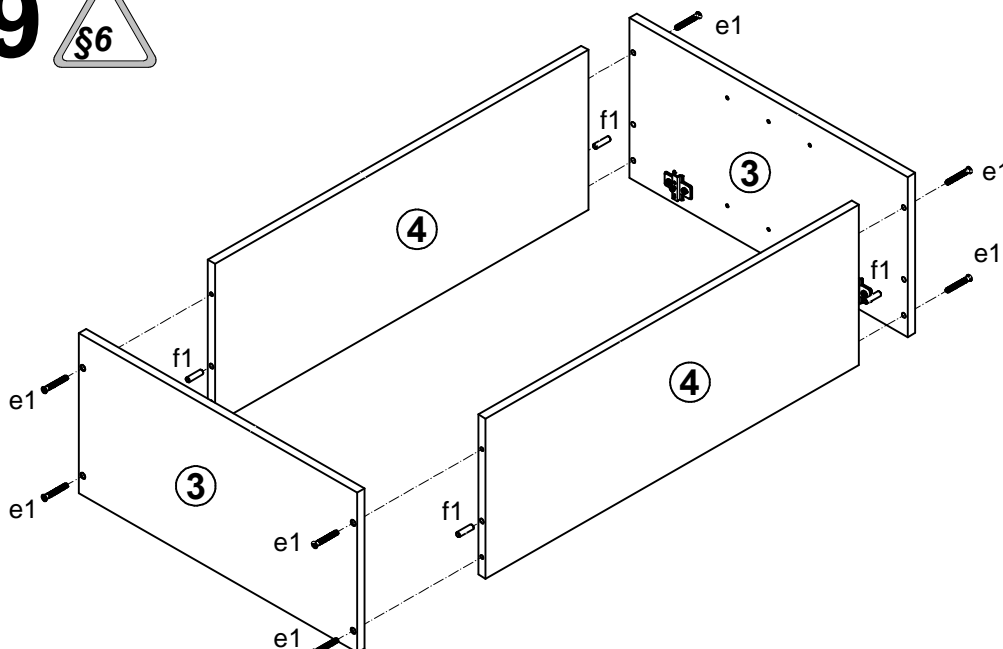


# 27

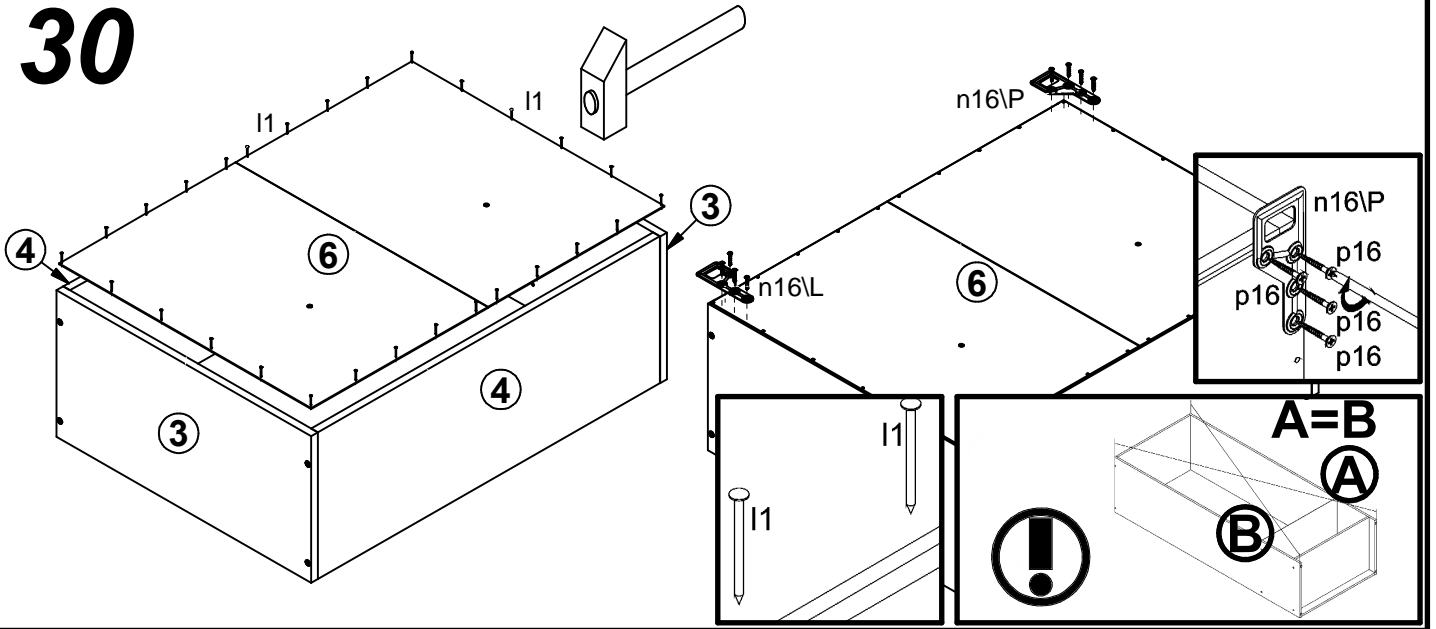


**A****JUNONA LINE****K24-GW2/80/57**

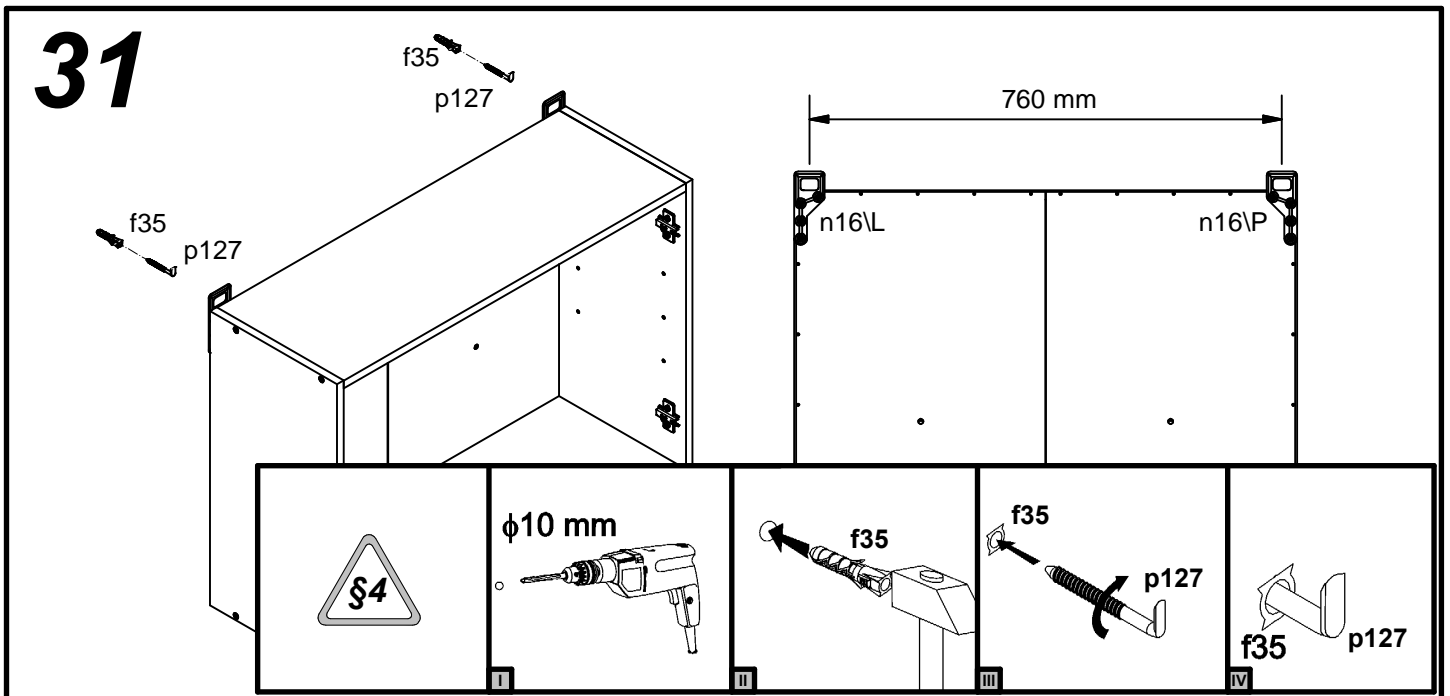
A	B	C	D
1	K24-017	396	570
2	K24-018	396	570
3	K24-120	573	285
4	K24-328	769	285
5	K24-329	768	260
6	K22-929	567	793

**28****29**

# 30



# 31



# 32

