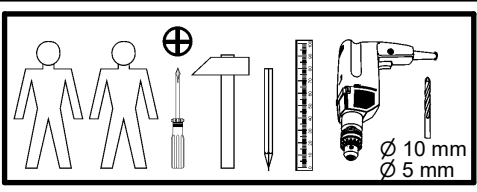
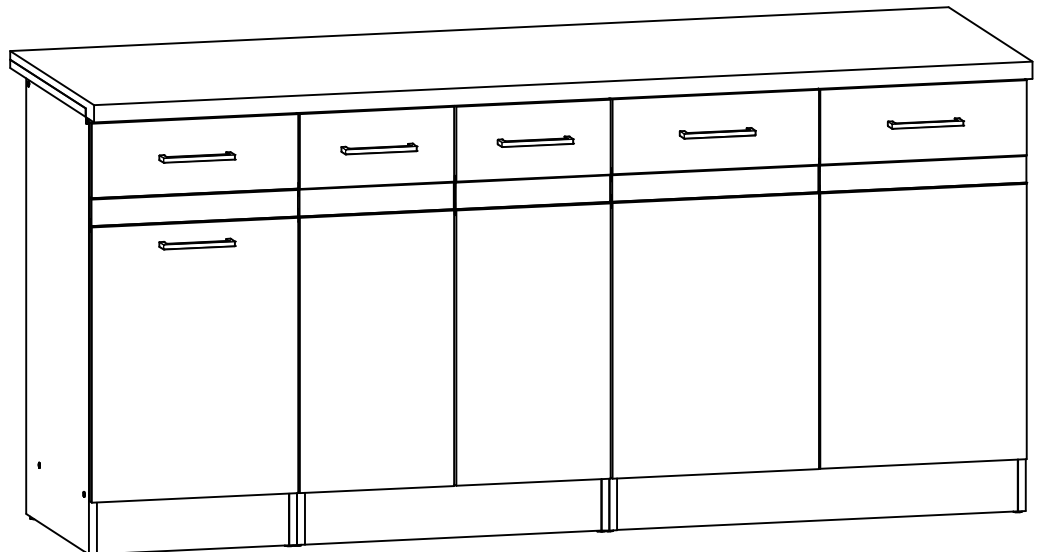
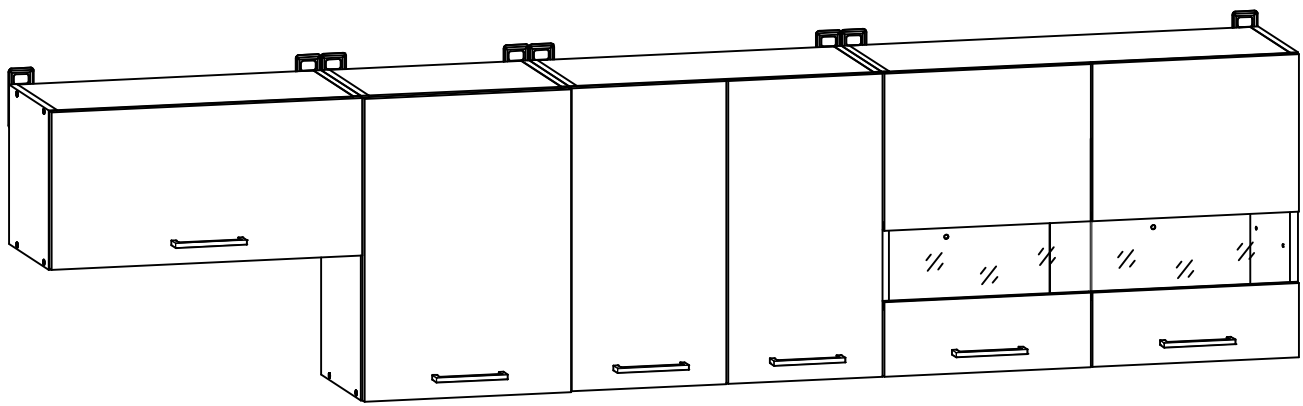
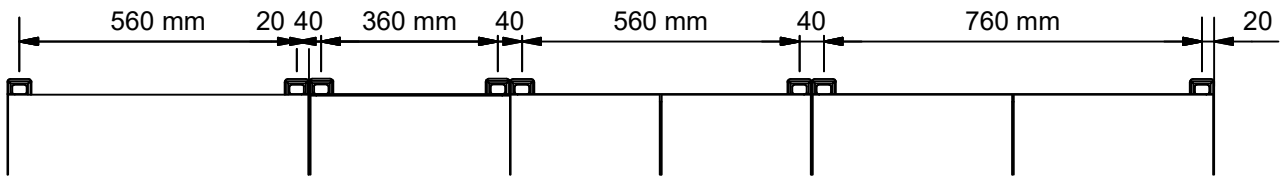


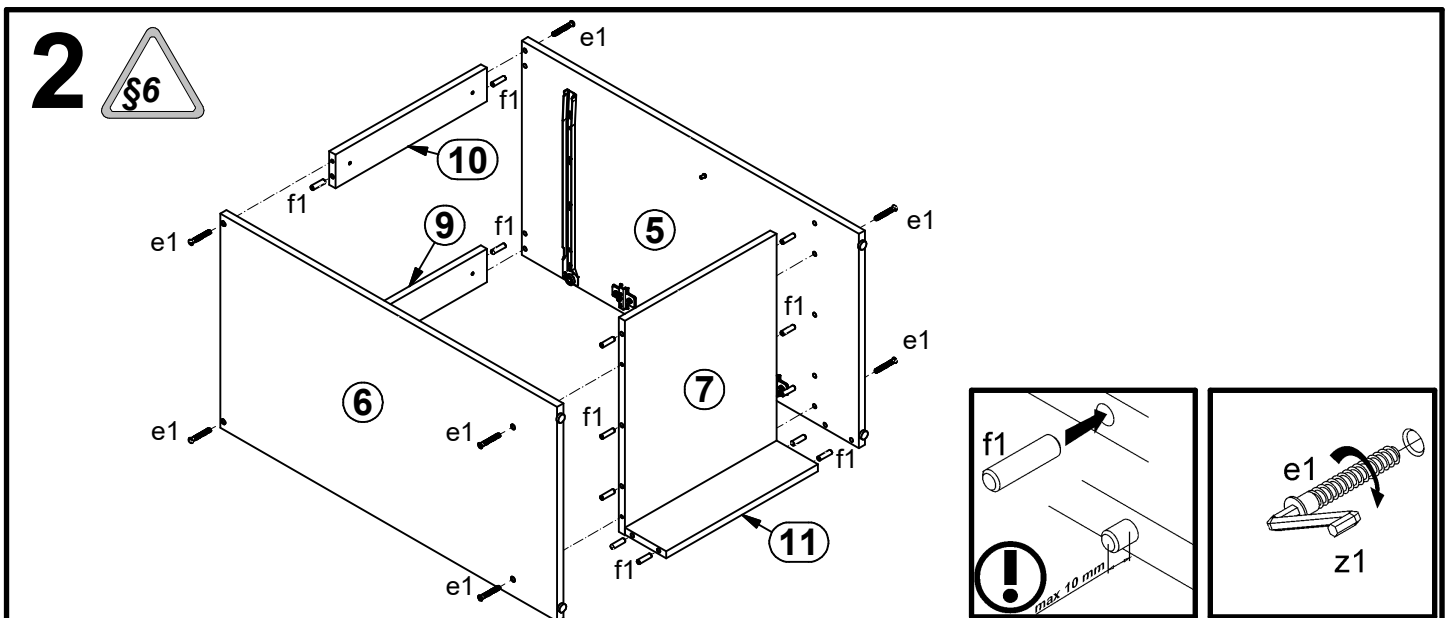
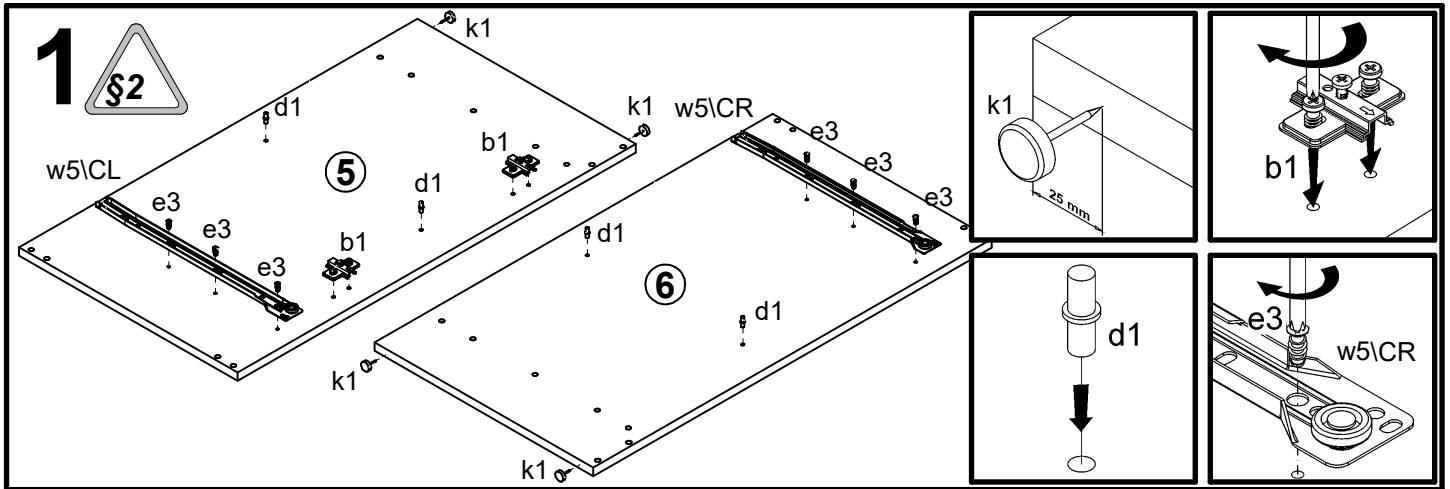
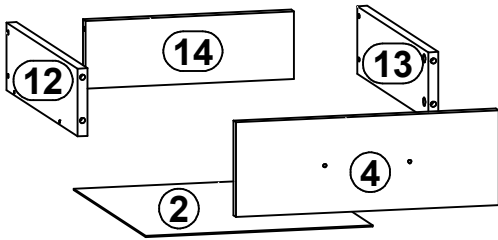
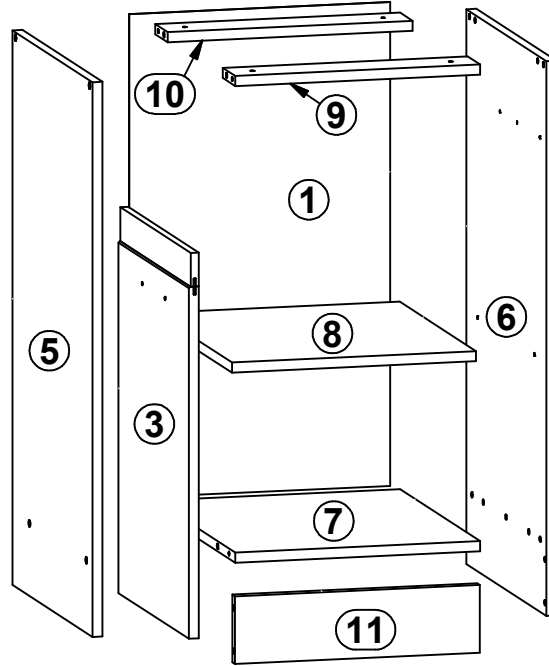
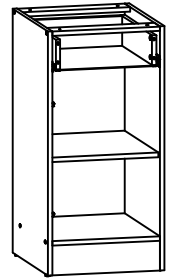
A

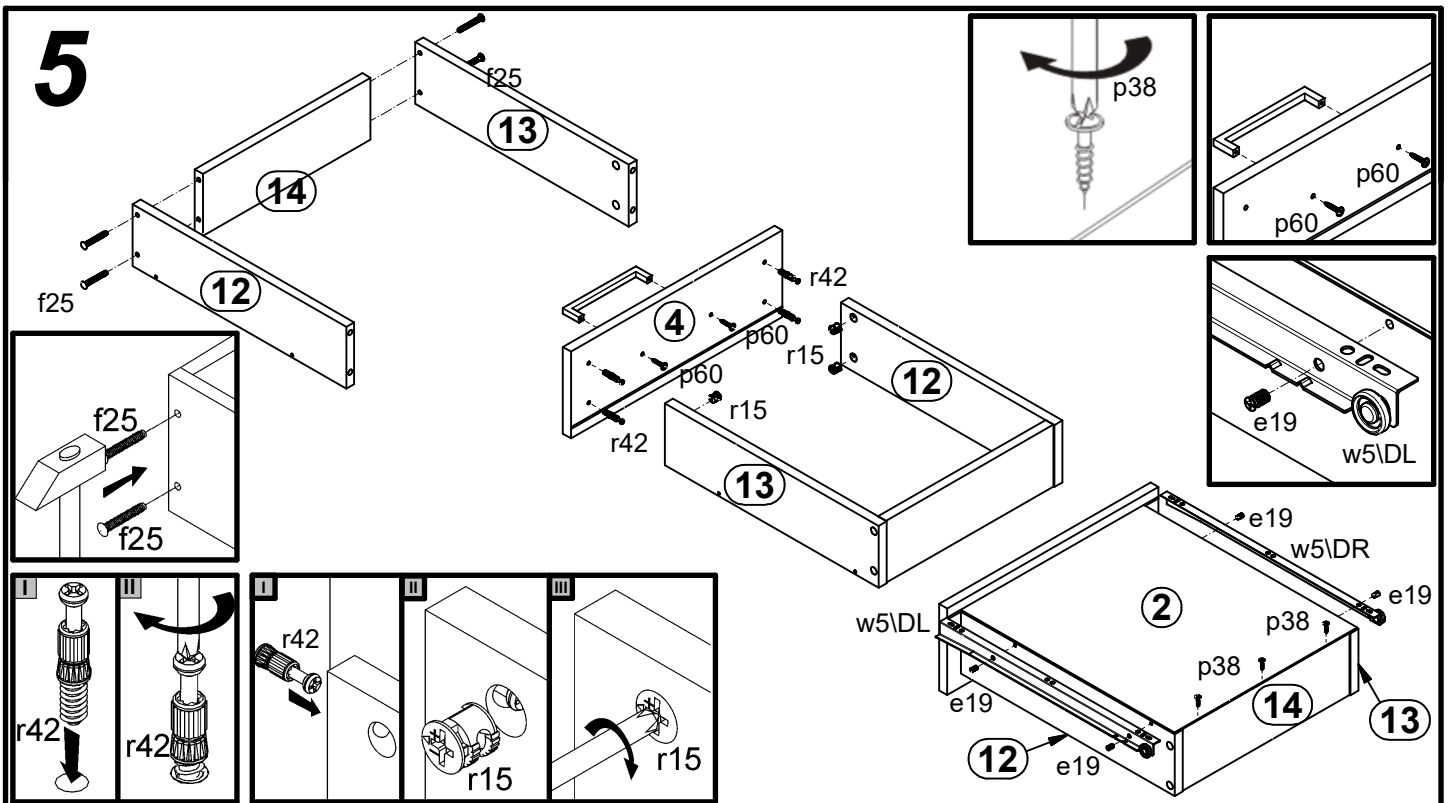
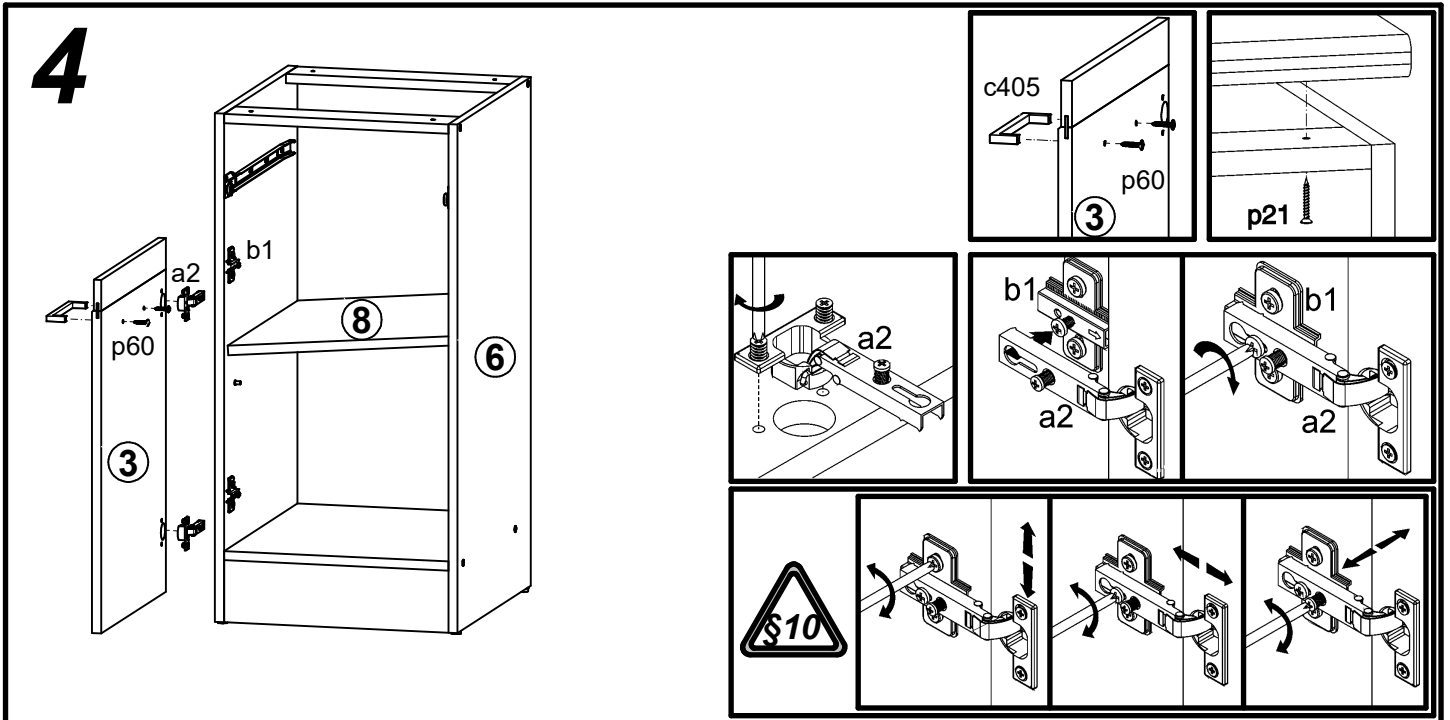
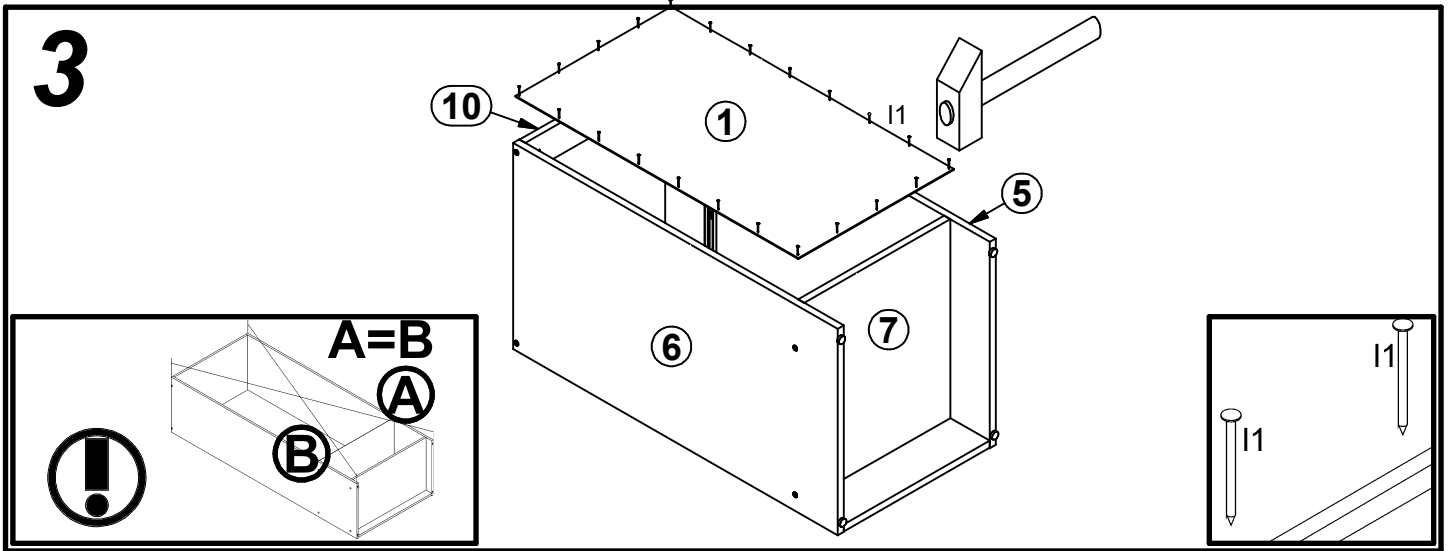
K24-JUNONA 240\BL180



22x a2	22x b1	12x 128mm c405	20x φ5x17 mm d1	56x φ7x50 mm e1	4x φ5x9 mm e19	6x φ6x13 mm e3	58x φ8x30 mm f1	4x φ6.5x40 mm f25
8x φ10x50 mm f35	12x k1	175x l1	1x m5\1L	1x m5\2	2x 88x21x15\1.5 n14\2	4x n16\L	4x n16\P	2x φ3.5x13 mm p1
8x Ø6x60 mm p127	32x φ3.5x25 mm p16	8x φ4x30 mm p21	9x Ø3.5x16 mm p38	1x φ3x25 mm p48	24x φ4x22 mm p60	4x Ø12x10.5 mm #12 r15	4x r42	1x 400 mm w5\CL
1x 400 mm w5\CR	1x 400 mm w5\DL	1x 400 mm w5\DR	18x s1	2x z1				

A	B	C	D
1	K22-906	715	393
2	K22-922	406	342
3	K24-024	396	570
4	K24-032	396	140
5	K24-103	820	450
6	K24-104	820	450
7	K24-307	369	450
8	K24-308	368	430
9	K24-411	369	70
10	K24-412	369	70
11	K24-413	369	100
12	K24-501	400	100
13	K24-502	400	100
14	ZS3-5527	314	100



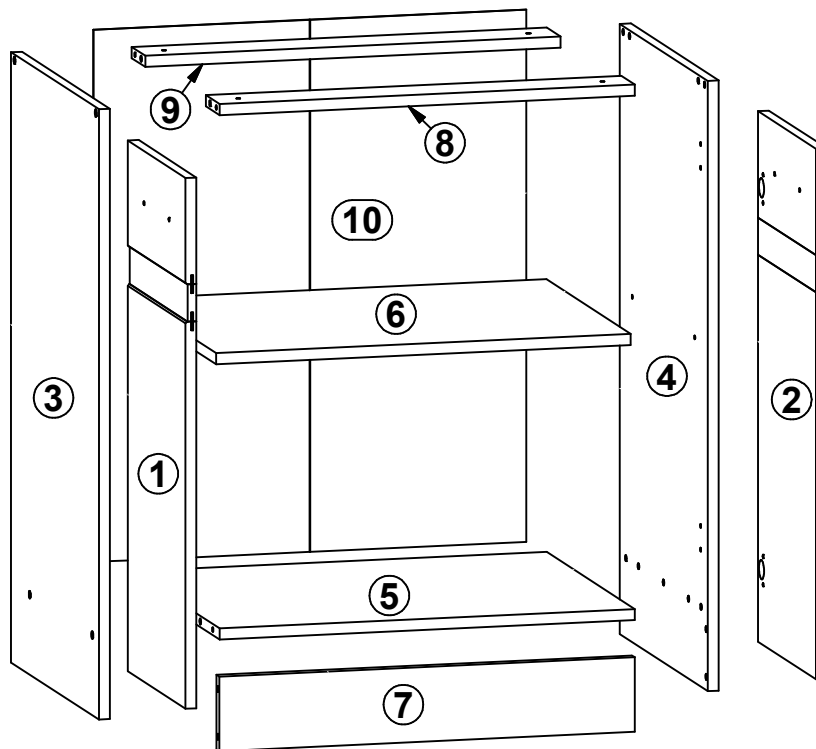
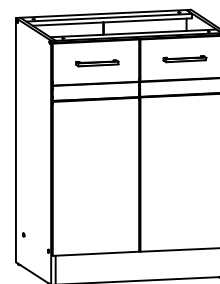


A

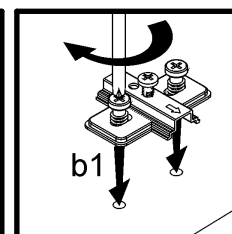
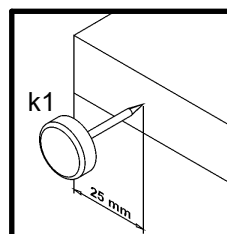
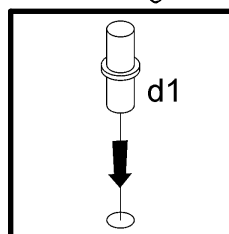
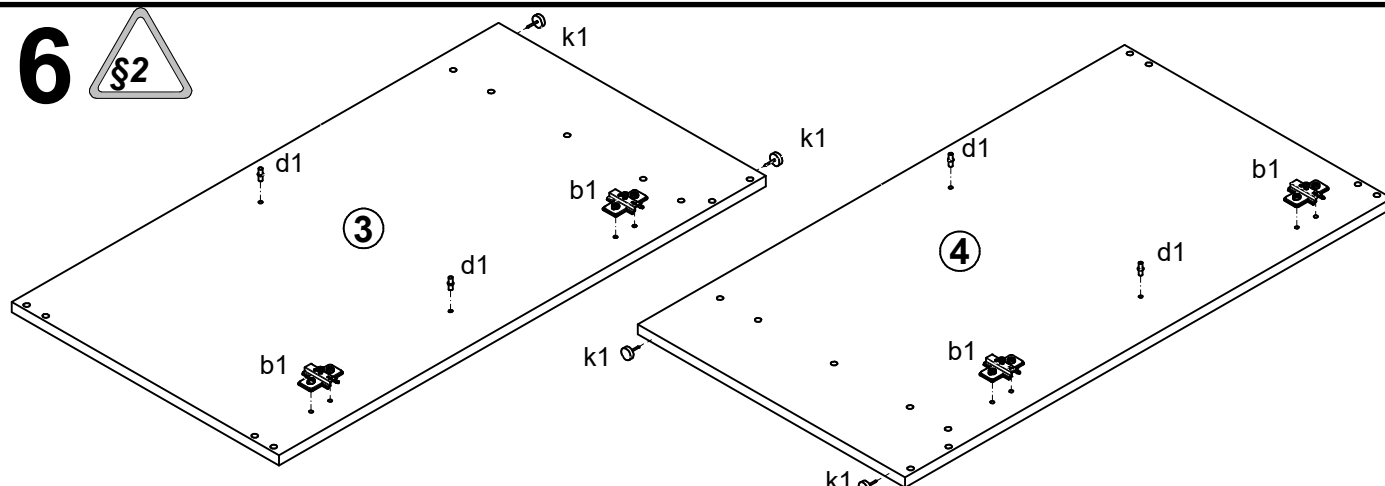
JUNONA LINE

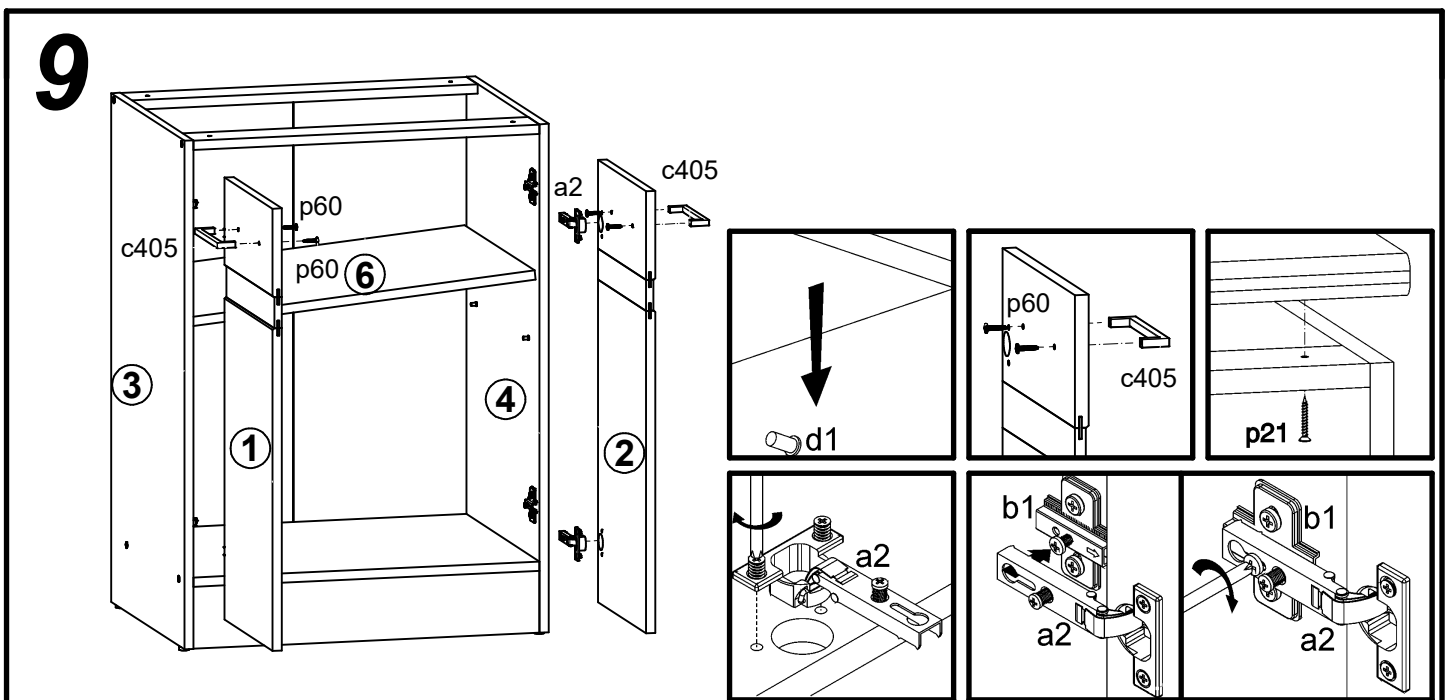
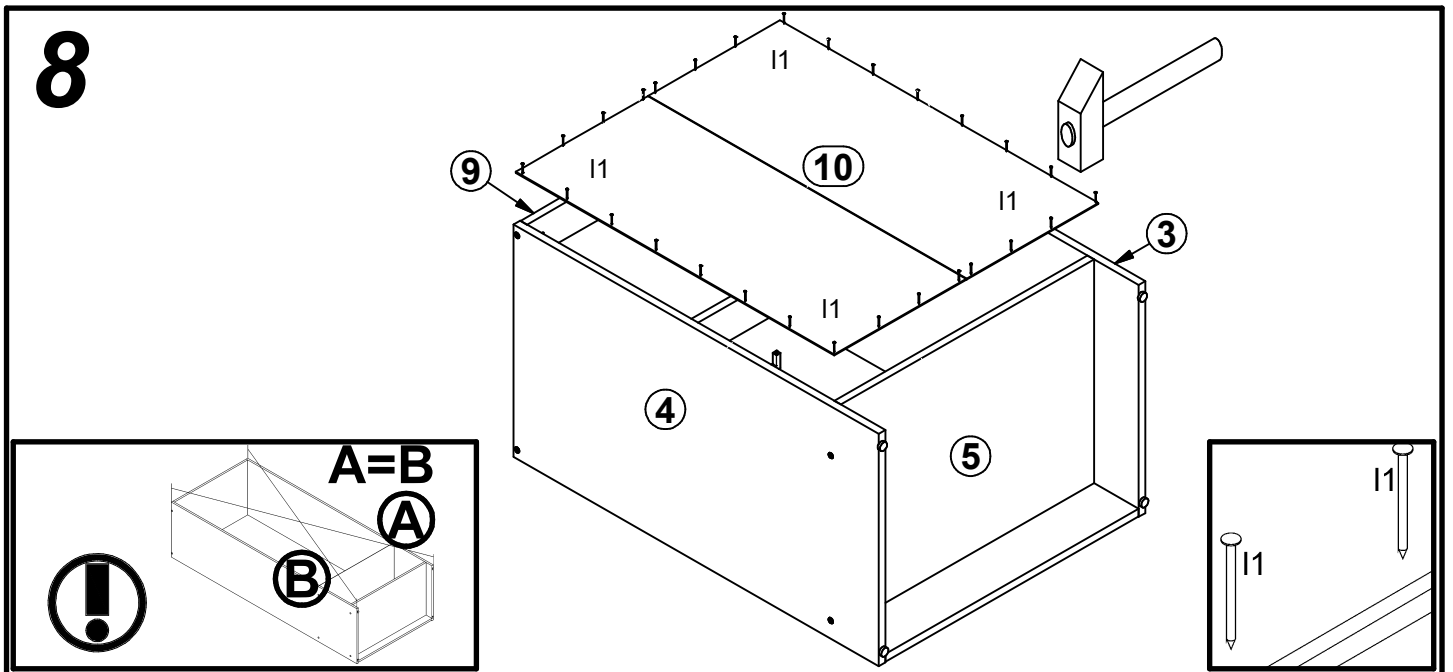
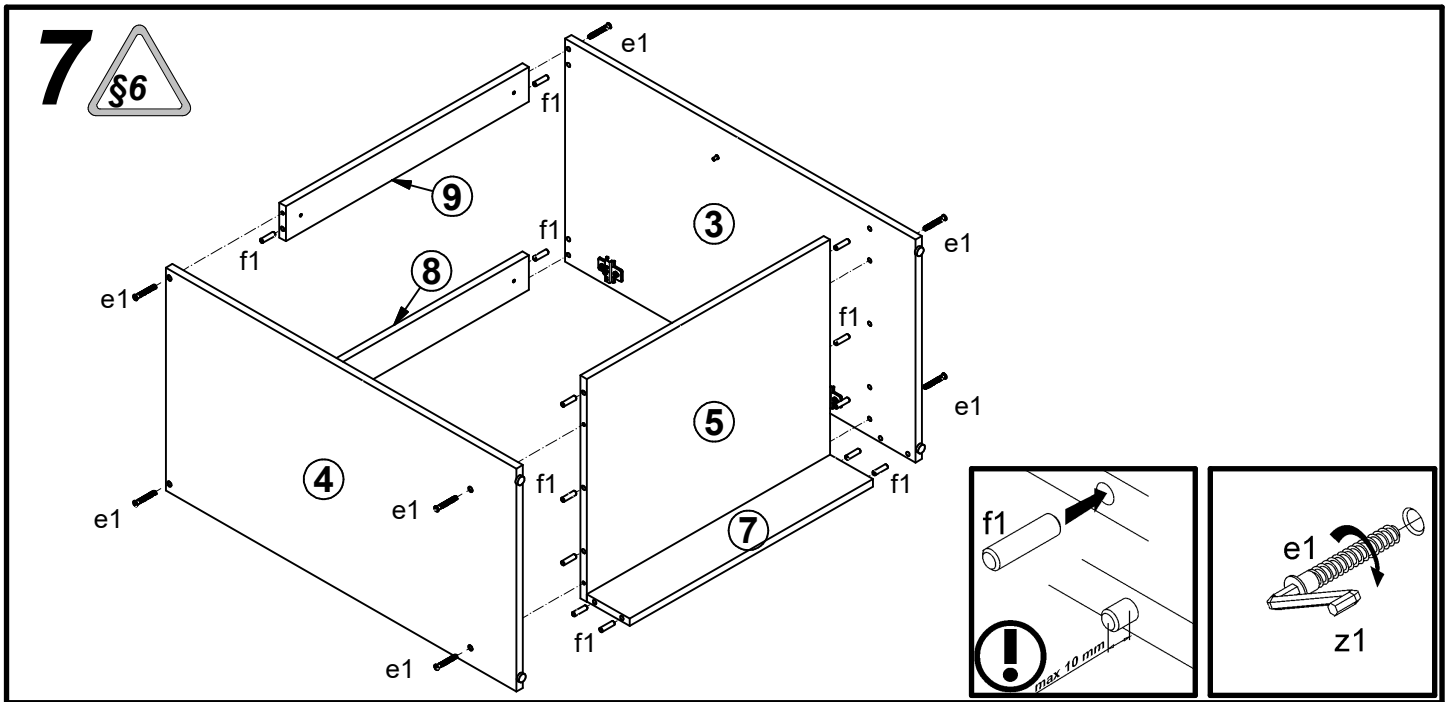
K24-D2D/60/82

A	B	C	D
1	K24-026	296,	713, 7/8
2	K24-027	296,	713, 7/8
3	K24-107	820	450 1/8
4	K24-108	820	450 1/8
5	K24-341	569	450 2/8
6	K24-342	568	430 2/8
7	K24-423	569	100 3/8
8	K24-424	569	70 3/8
9	K24-425	569	70 3/8
10	K22-926	715	593 1/8



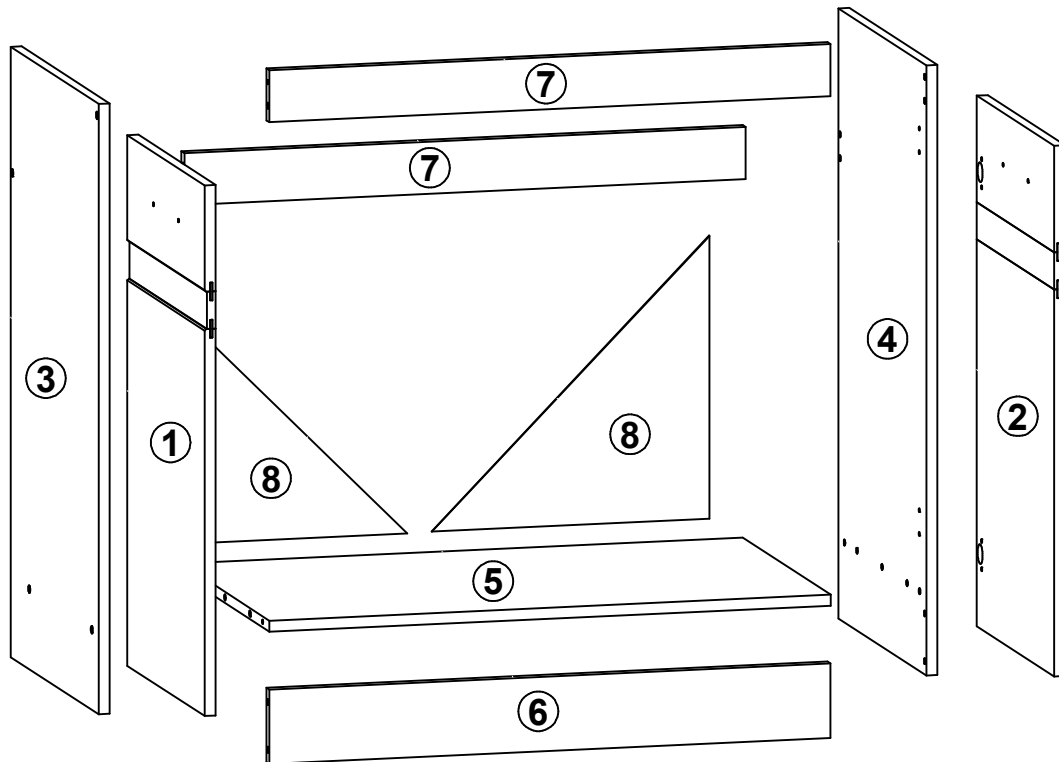
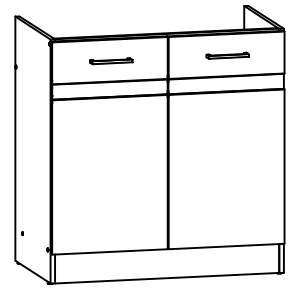
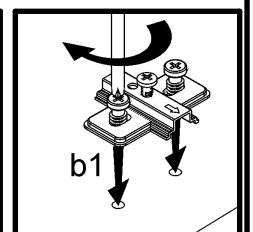
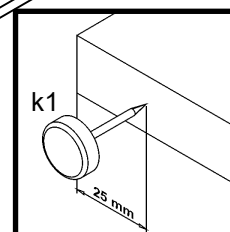
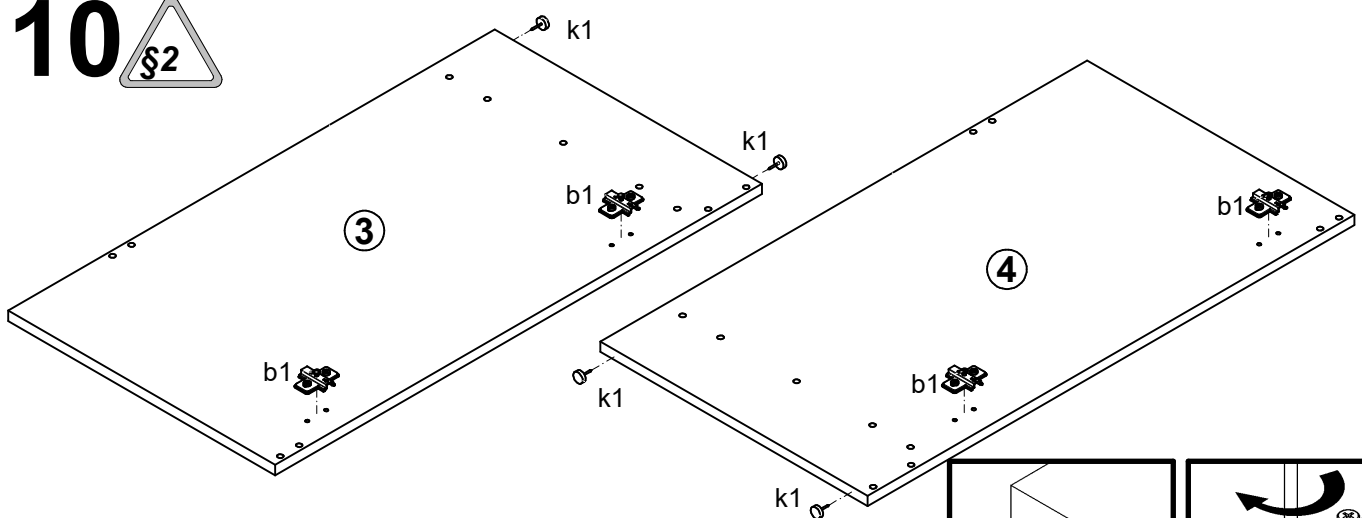
6



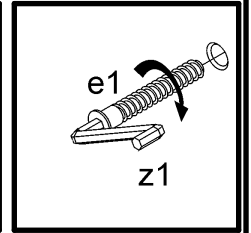
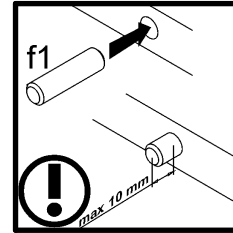
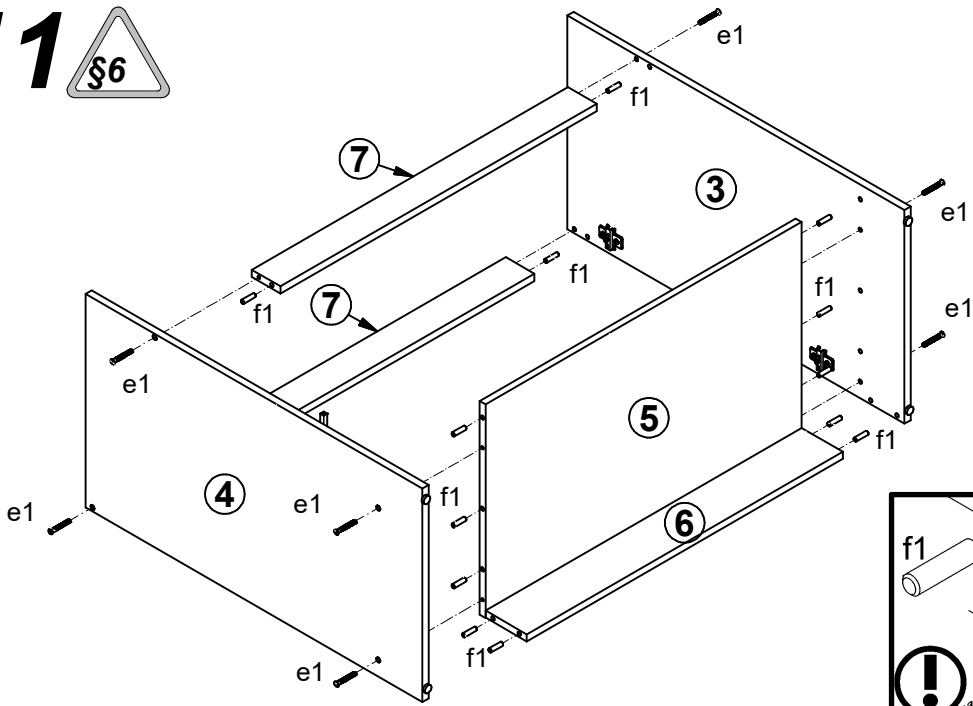


A**JUNONA LINE****K24-DK2D/80/82**

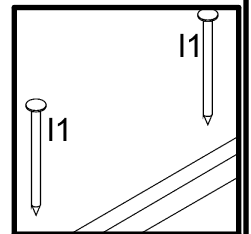
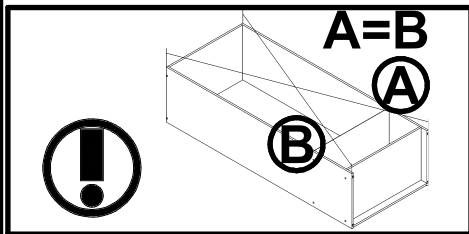
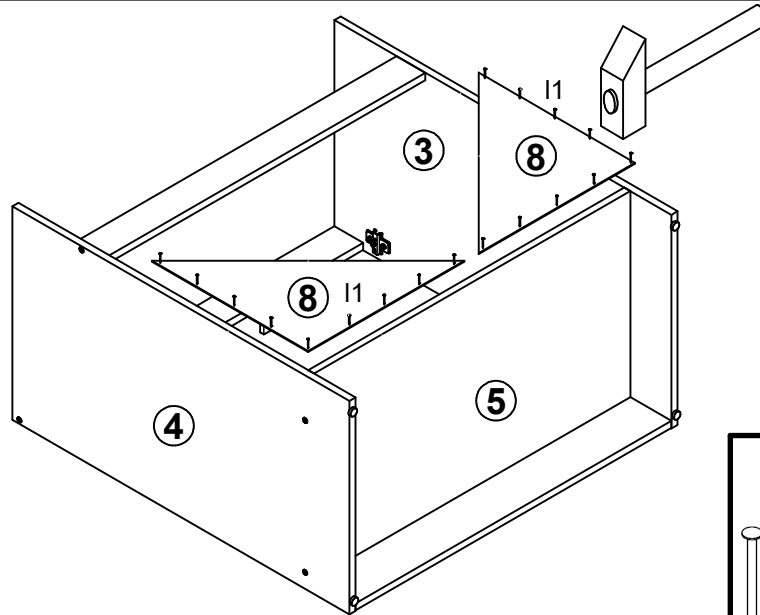
A	B	C	D
1	K24-020	396	713 7/8
2	K24-021	396,	713, 7/8
3	K24-116	820	450 1/8
4	K24-117	820	450 1/8
5	K24-327	769	450 2/8
6	K24-417	769	100 4/8
7	K24-418	769	70 4/8
8	K22-918	380	380 1/8

**10**

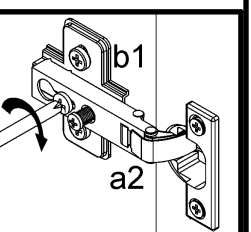
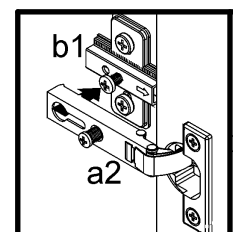
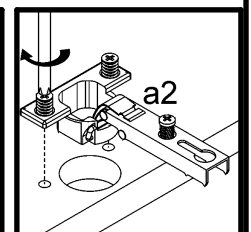
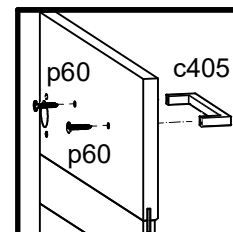
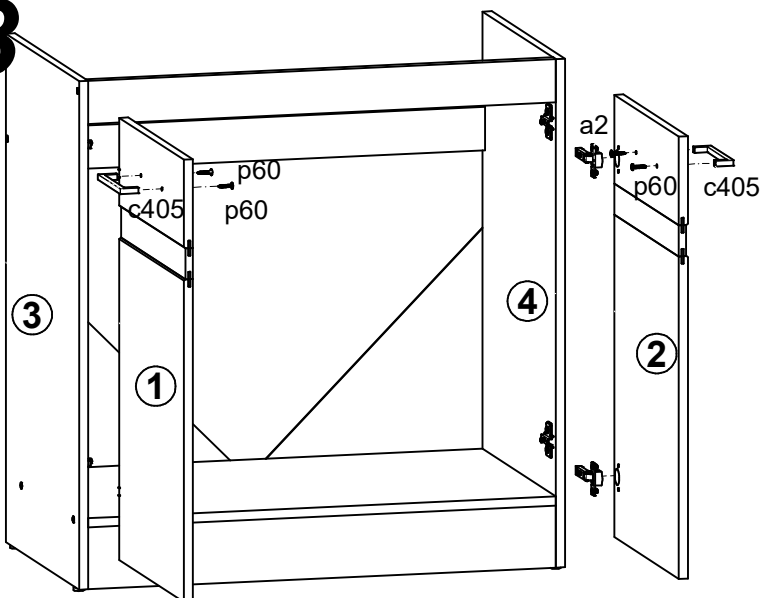
11



12

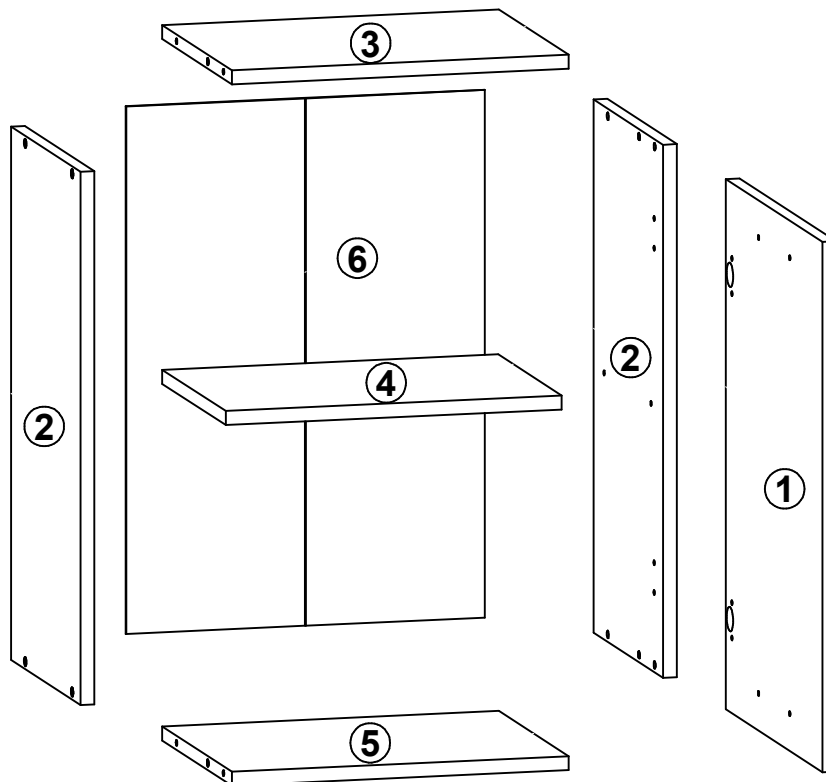
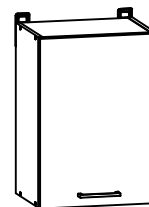
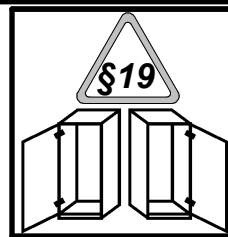
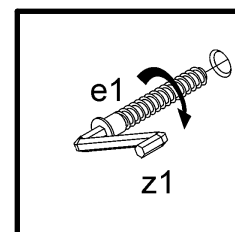
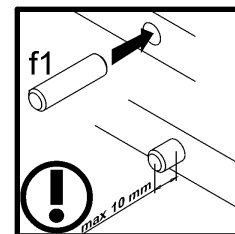
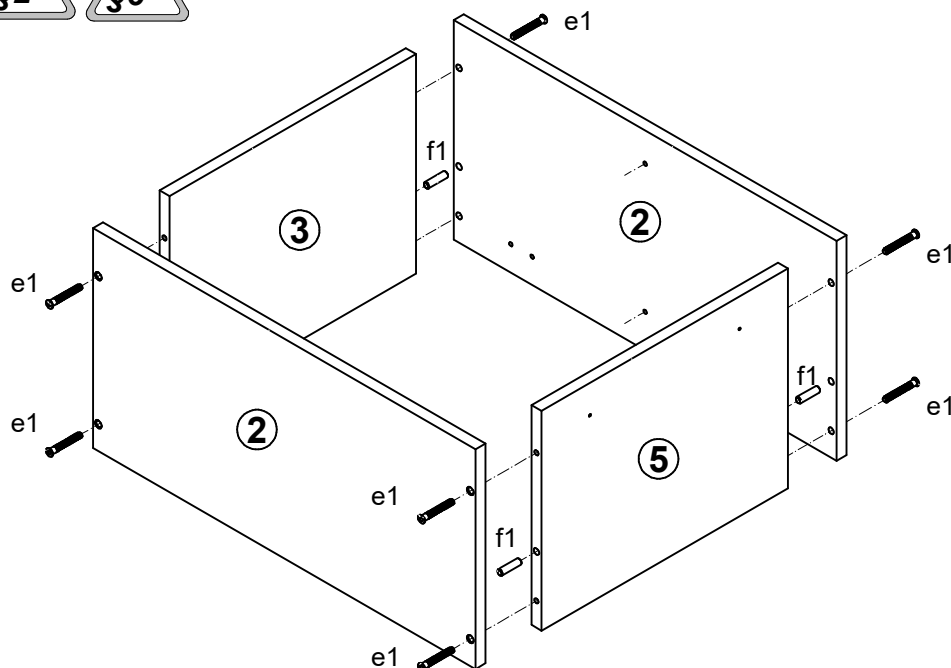


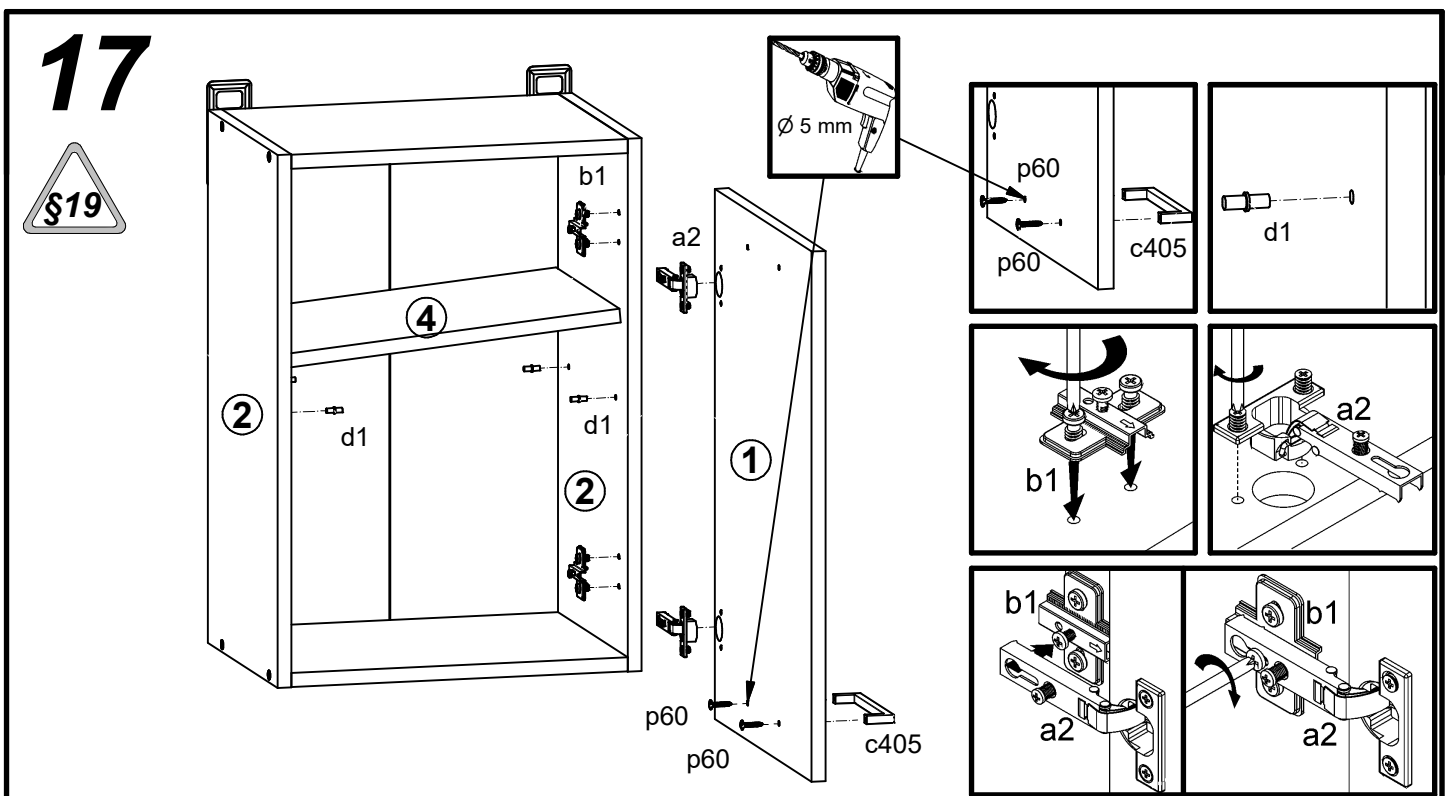
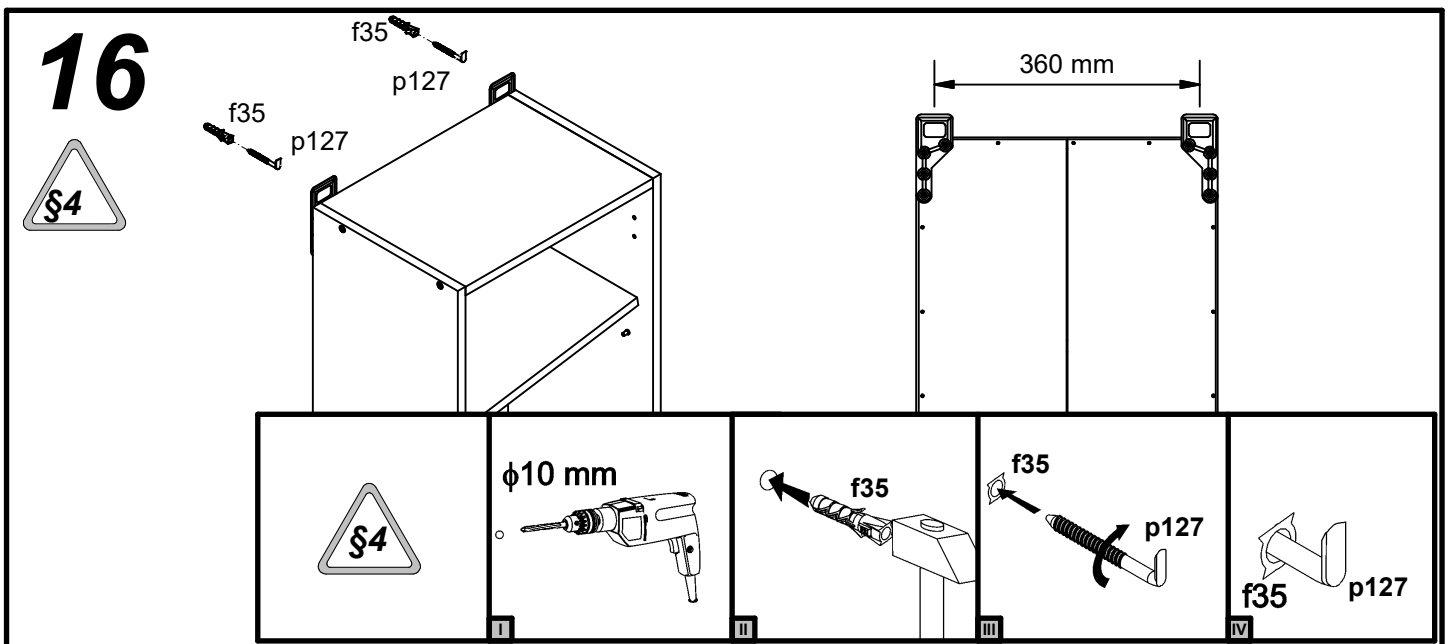
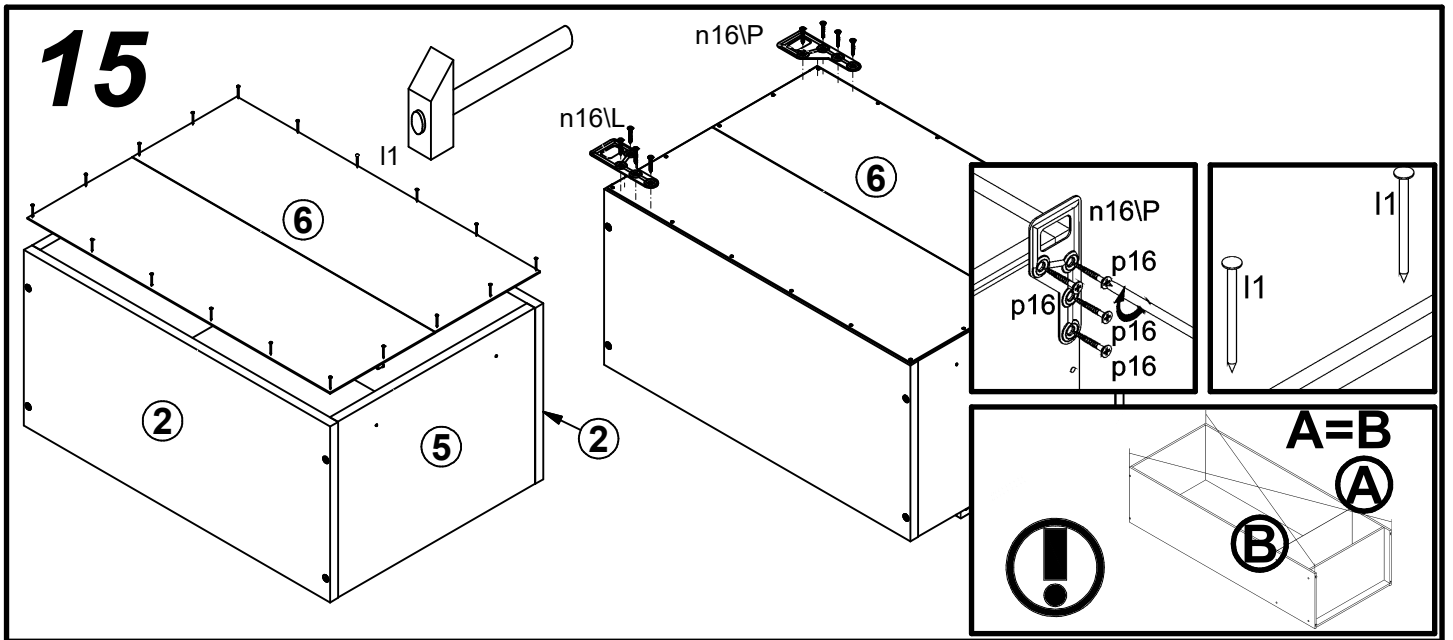
13



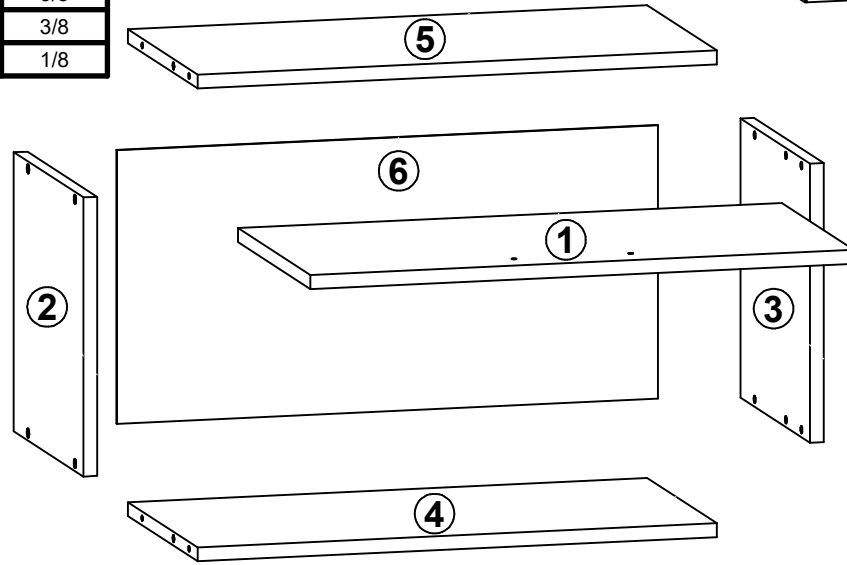
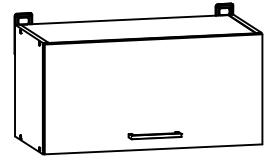
A**Junona Line****K24-G1D/40/57-LP**

A	B	C	D
1	K24-029	396	570 8/8
2	K24-101	573	285 3/8
3	K24-311	369	285 4/8
4	K24-312	368	260 4/8
5	K24-323	369	285 4/8
6	K22-908	567	393 1/8

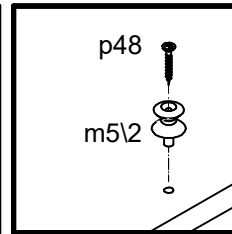
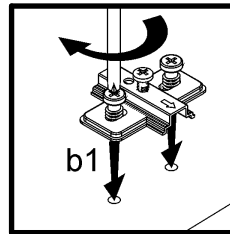
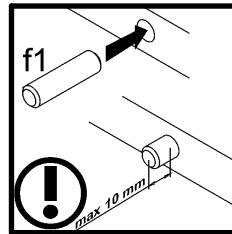
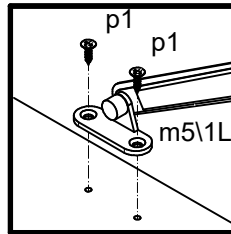
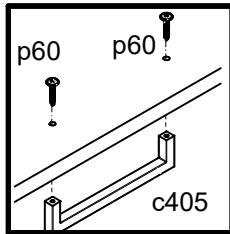
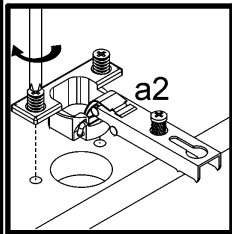
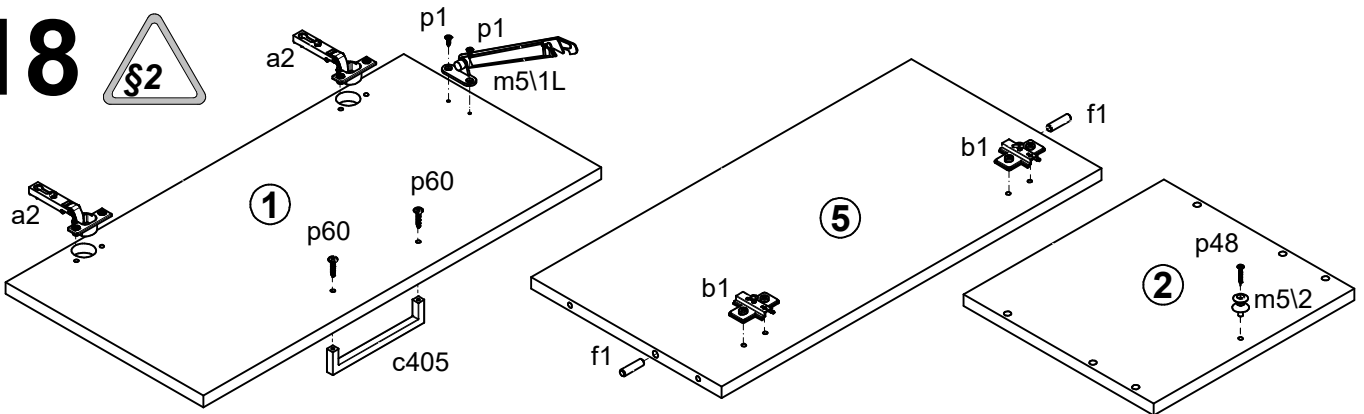
**14**



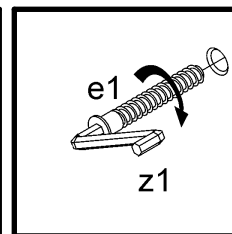
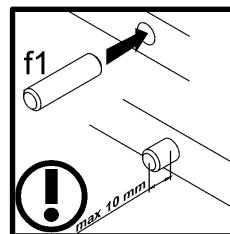
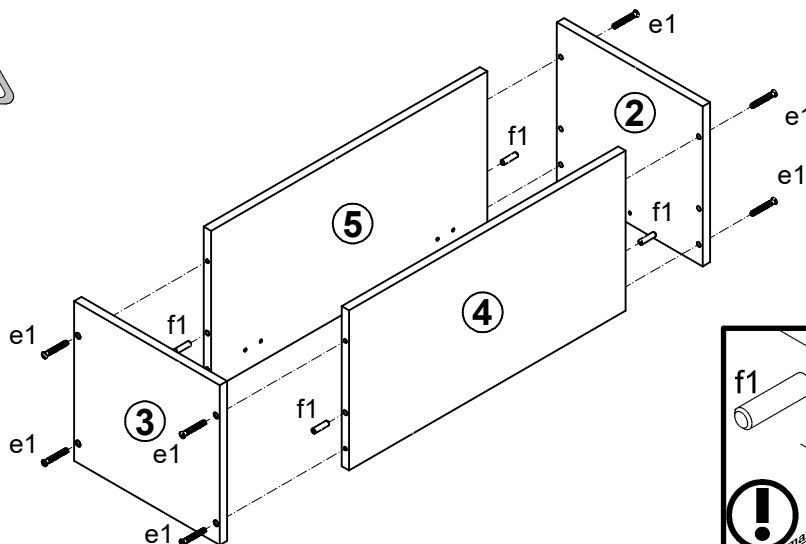
A	B	C	D	
1	K24-019	596	296	8/8
2	K24-118	300	285	4/8
3	K24-119	300	285	4/8
4	K24-330	569	285	3/8
5	K24-331	569	285	3/8
6	K22-920	593	294	1/8

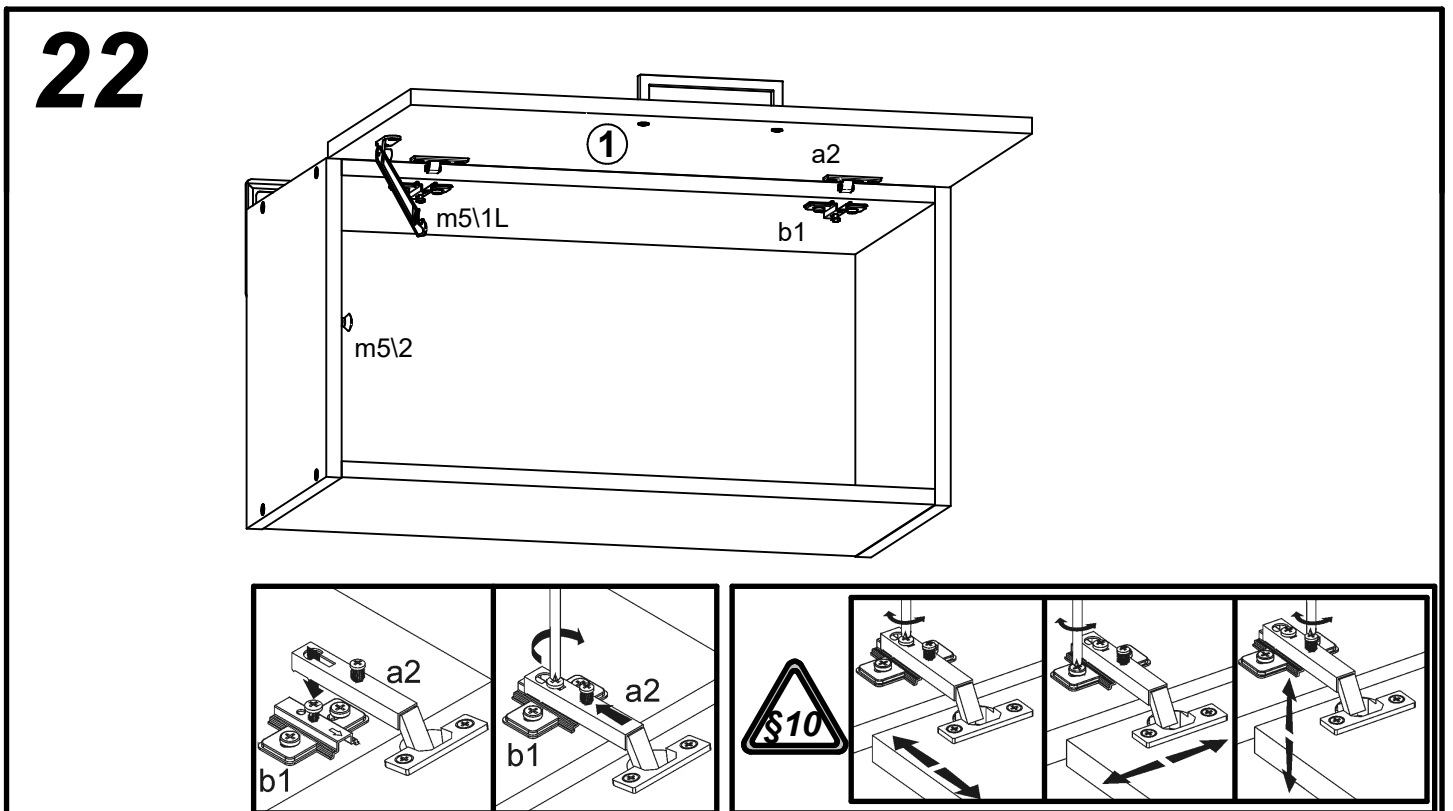
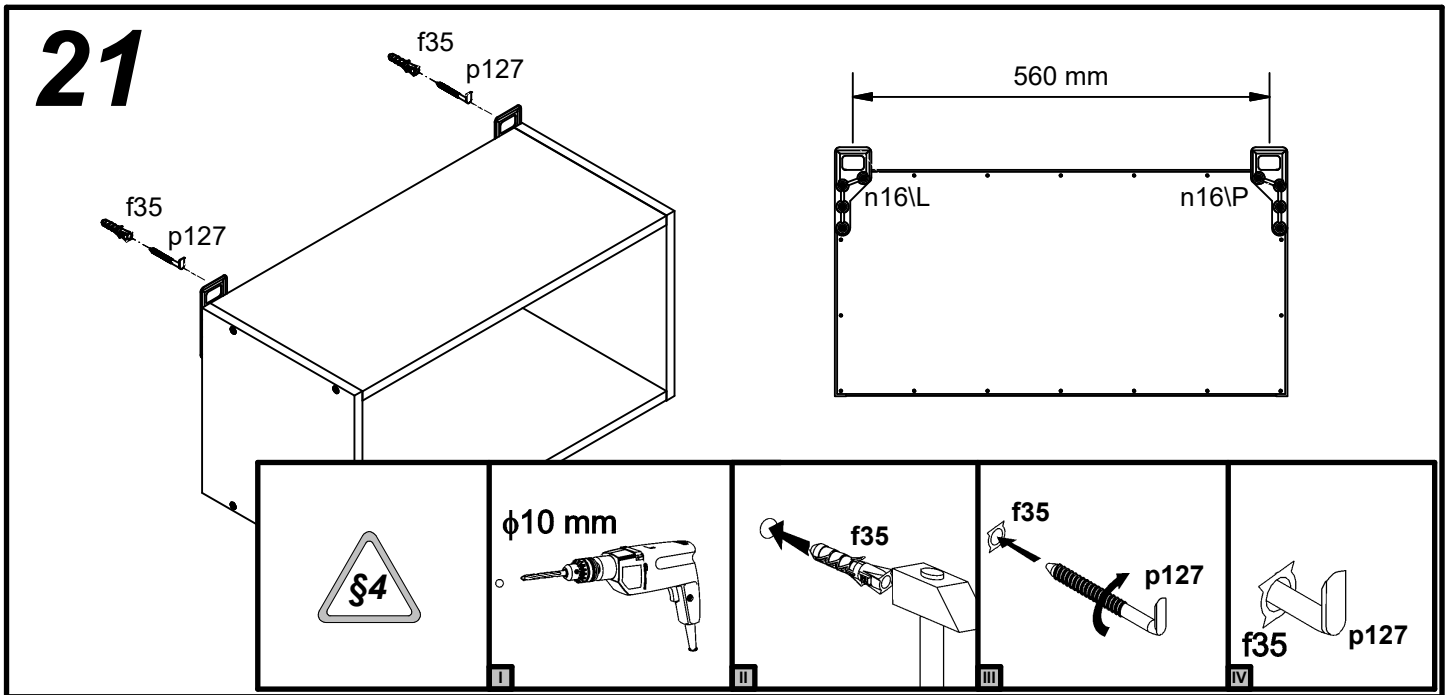
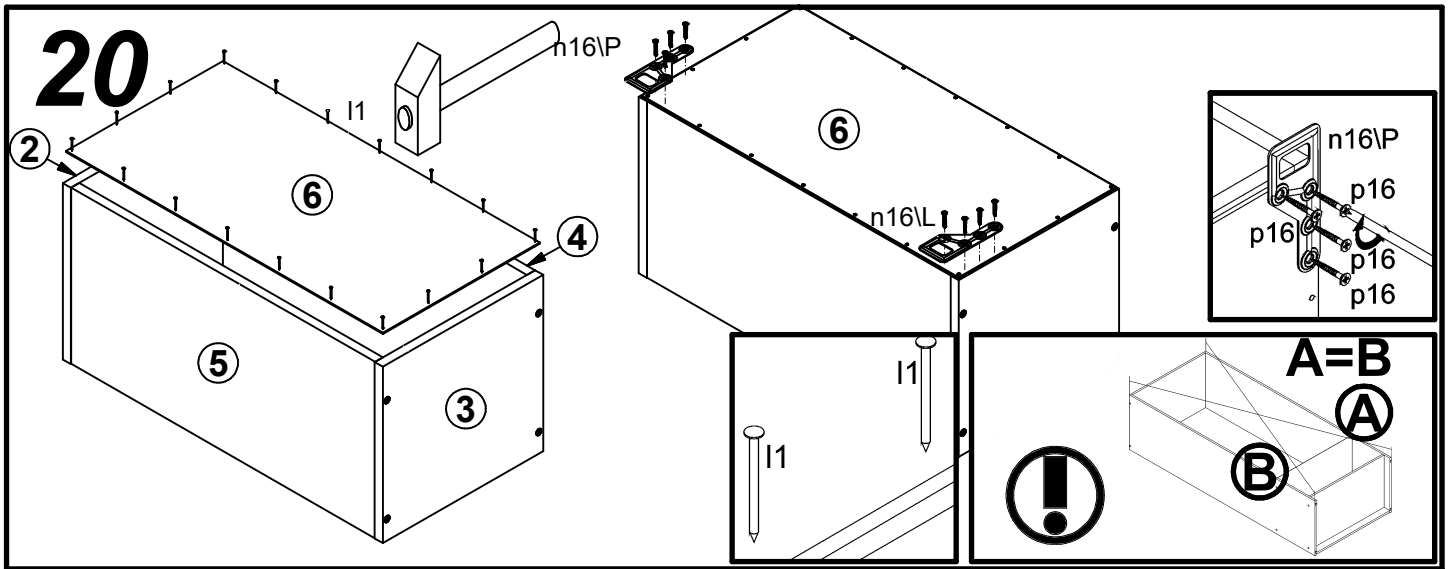


18



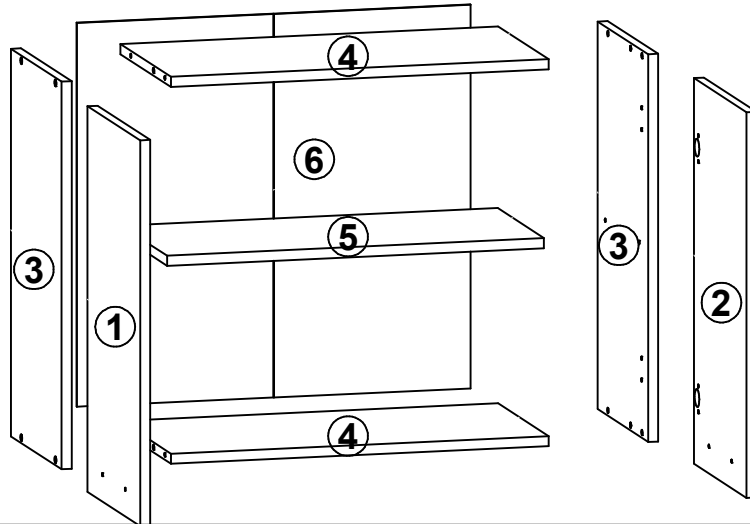
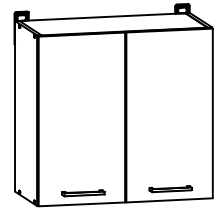
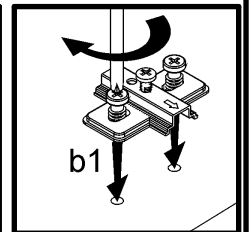
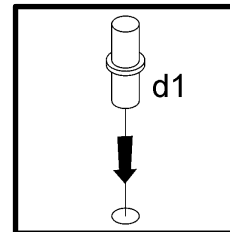
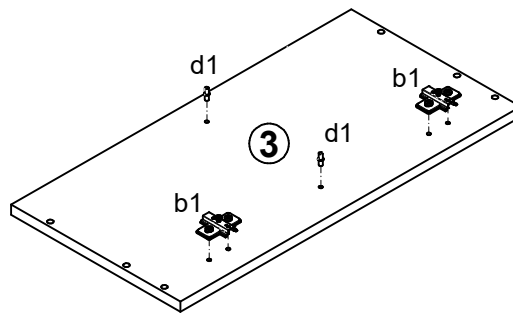
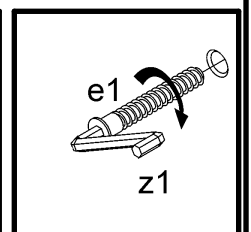
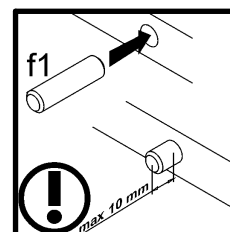
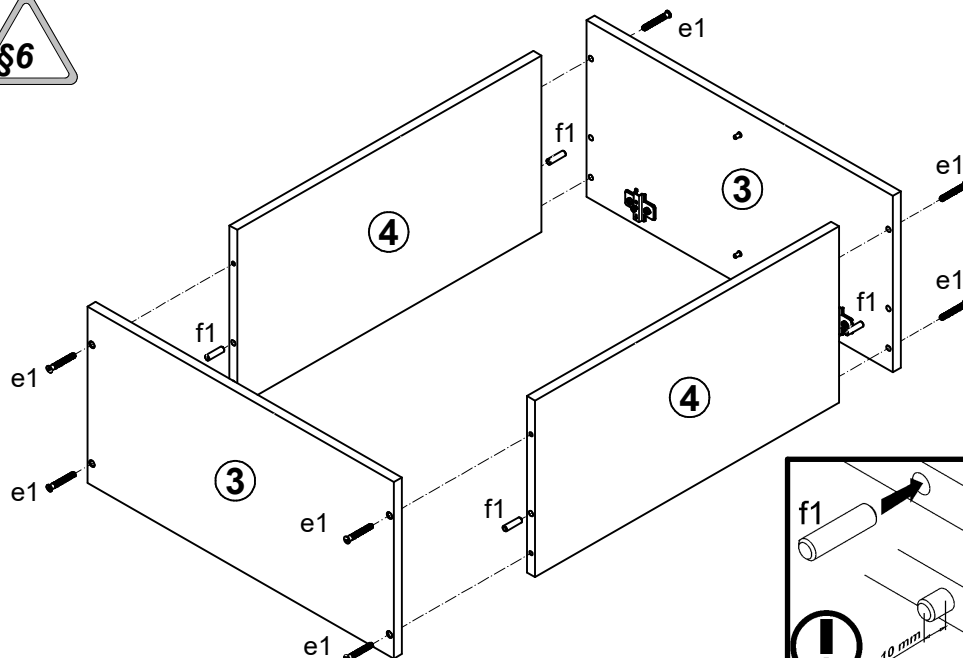
19



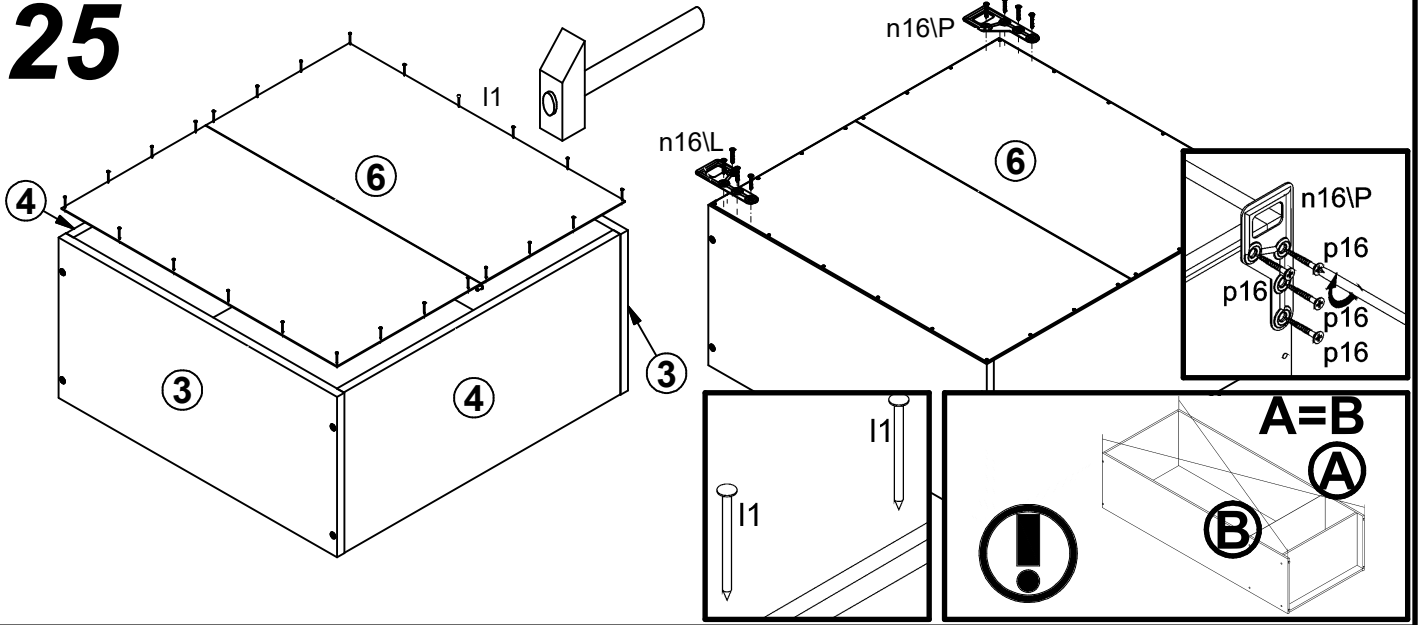


A**JUNONA LINE****K24-G2D/60/57**

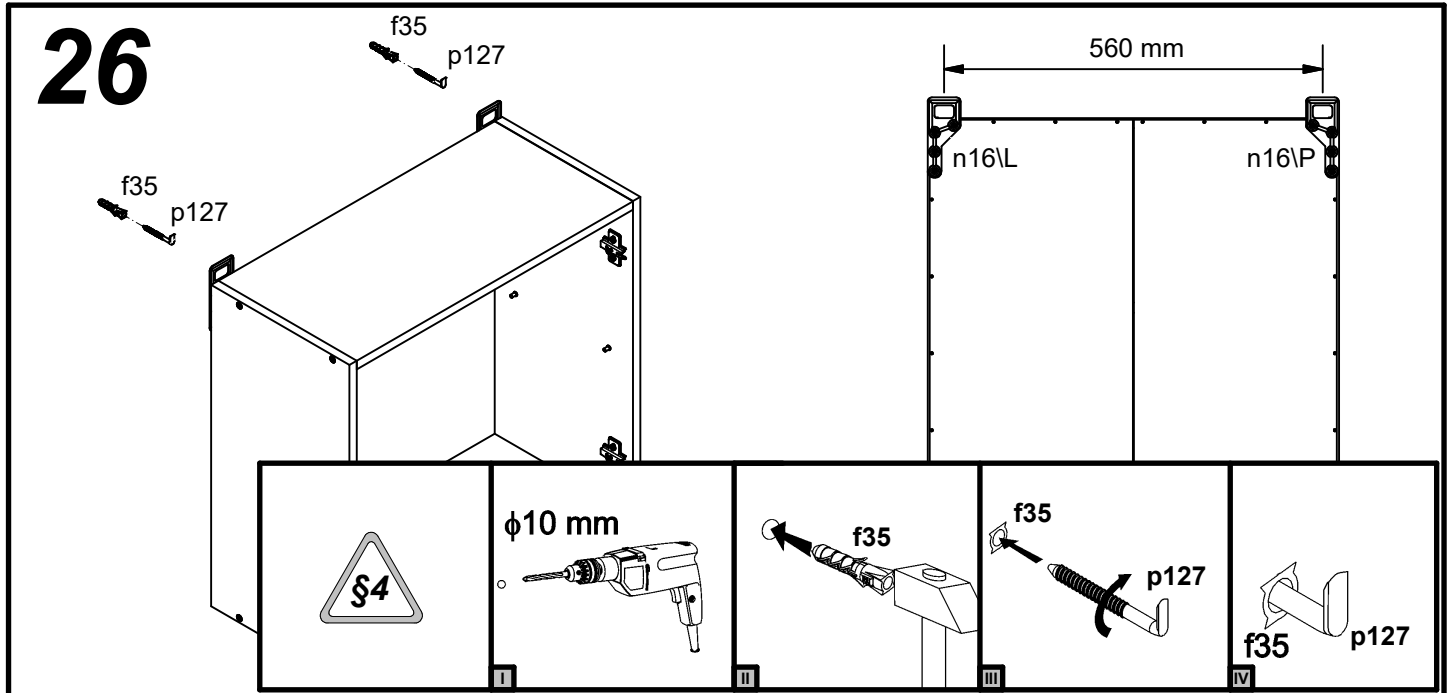
A	B	C	D
1	K24-037	296	570 8/8
2	K24-038	296	570 8/8
3	K24-101	573	285 3/8
4	K24-330	569	285 3/8
5	K24-344	568	260 3/8
6	K22-927	567	593 1/8

**23****24**

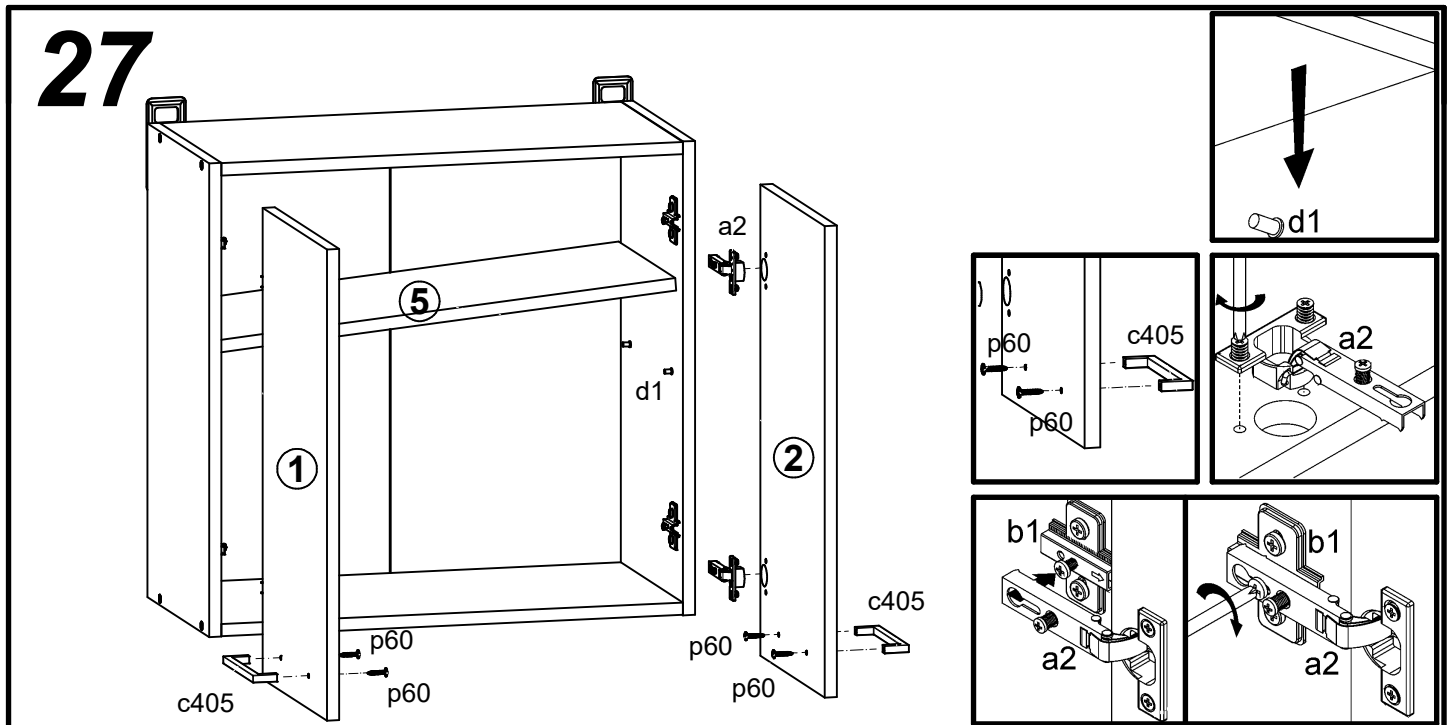
25



26

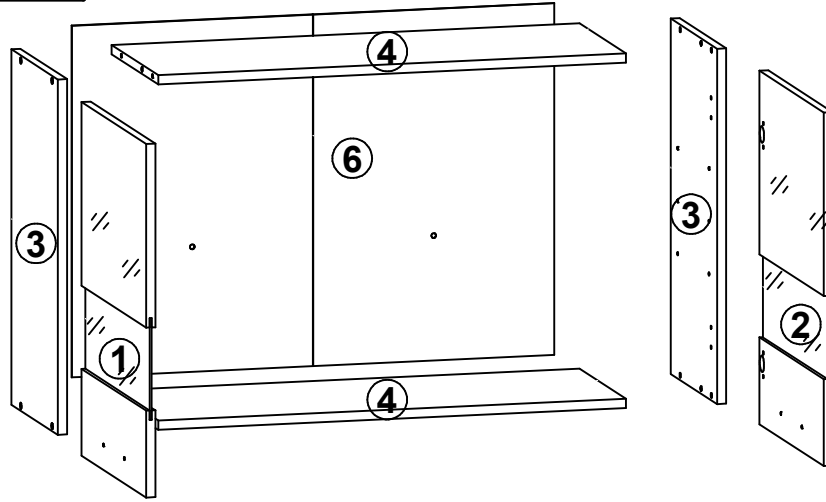
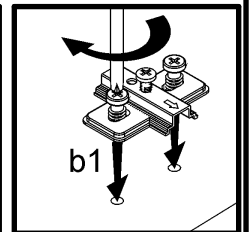
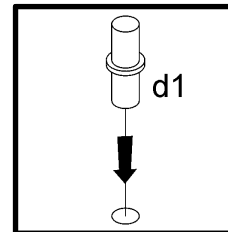
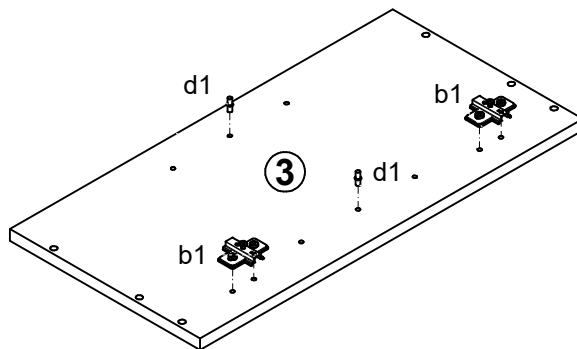
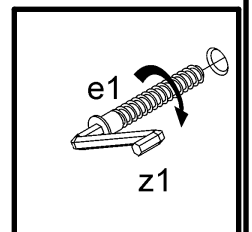
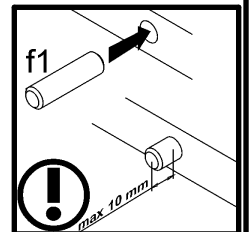
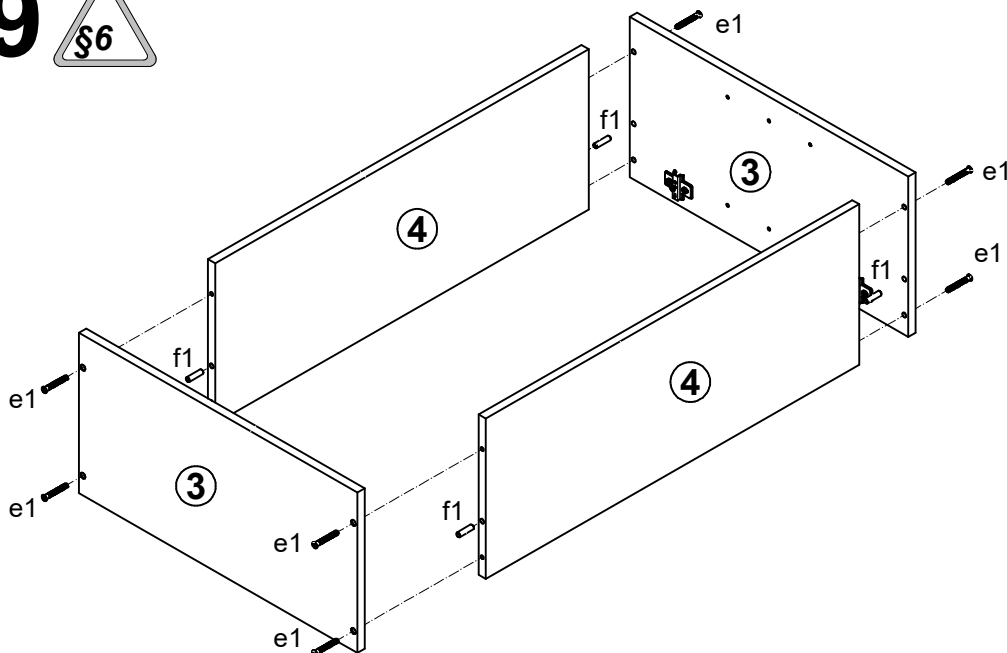


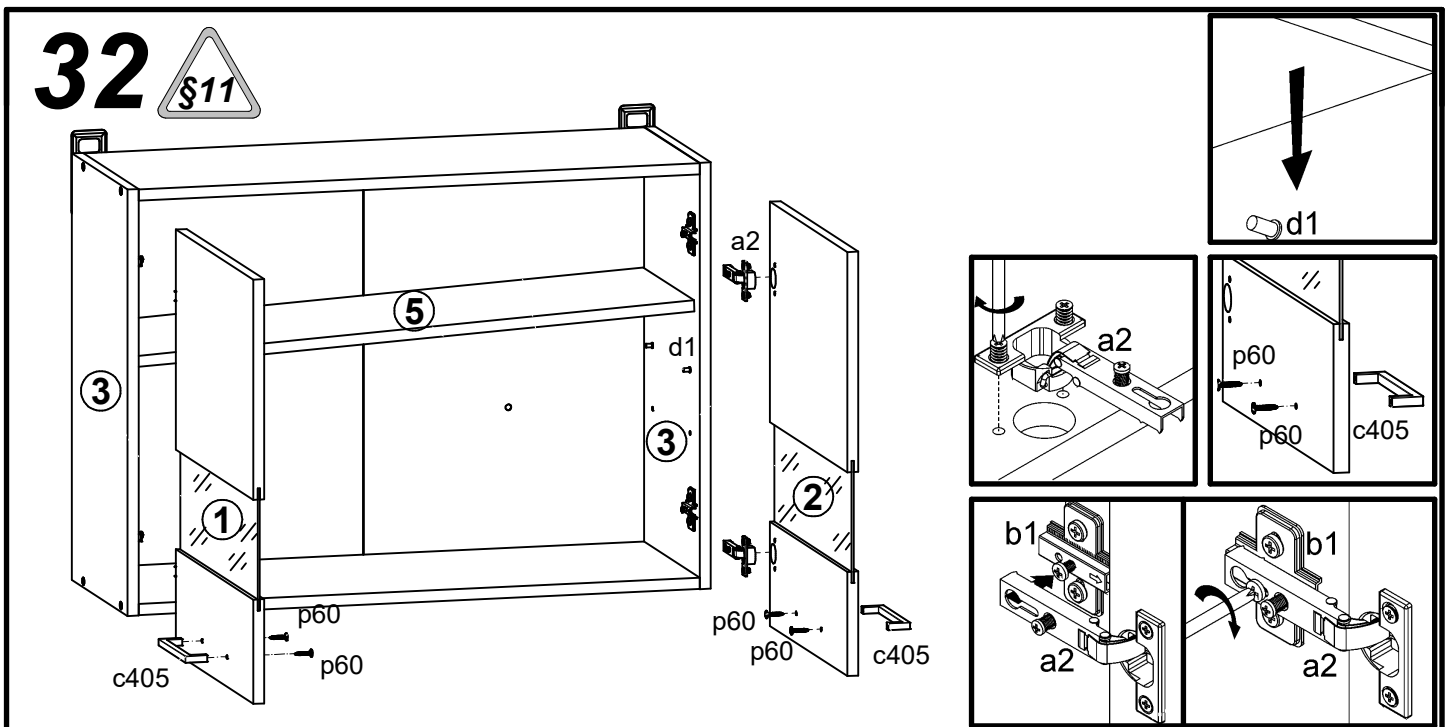
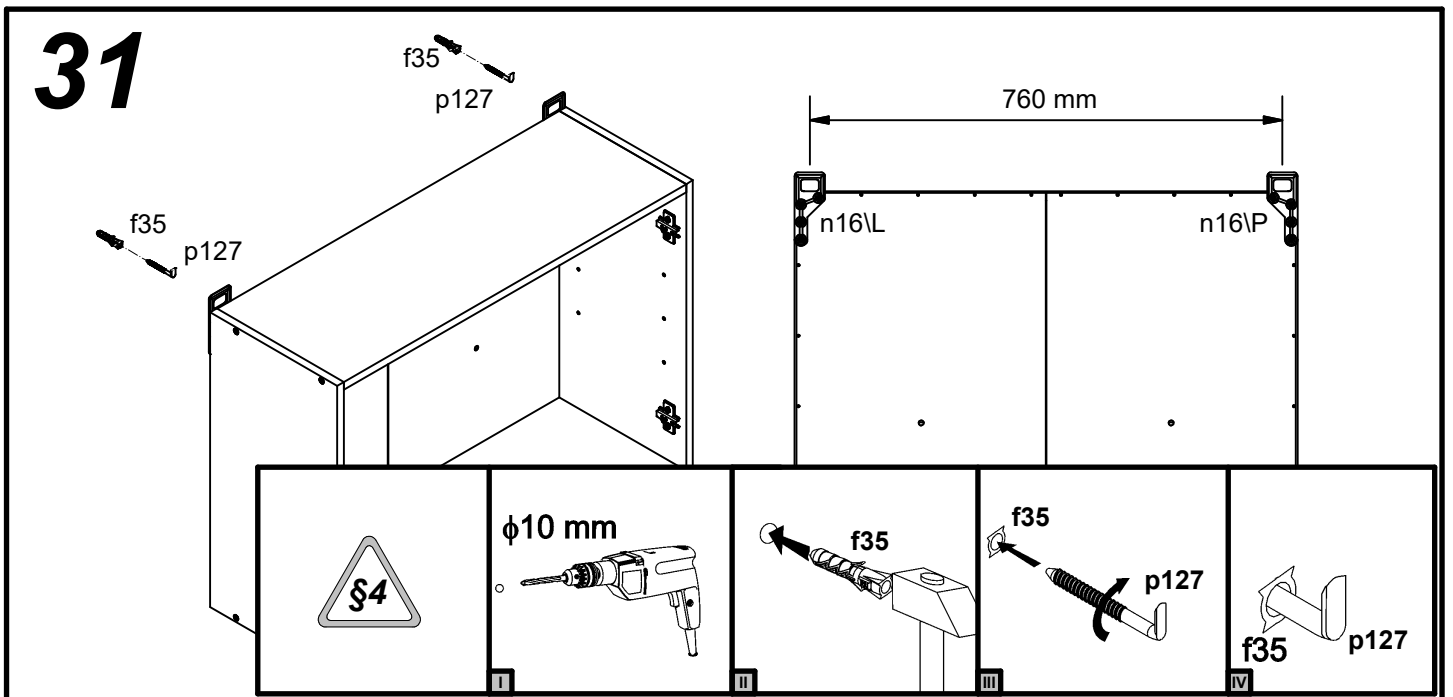
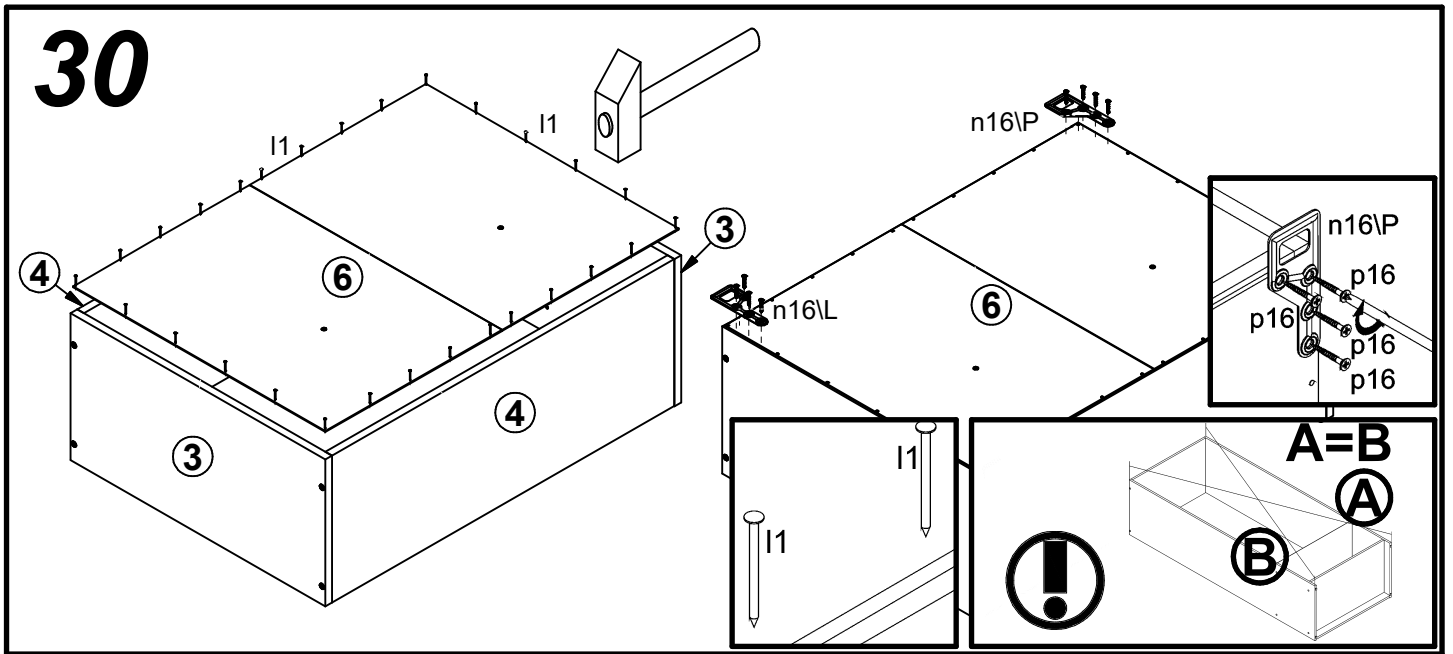
27



A**JUNONA LINE****K24-GW2/80/57**

A	B	C	D
1	K24-017	396	570 8/8
2	K24-018	396	570 8/8
3	K24-120	573	285 3/8
4	K24-328	769	285 4/8
5	K24-329	768	260 4/8
6	K22-929	567	793 1/8

**28** §2**29** §6



A**K24-JUNONA 240\BL180**

A	B	C	D	
1	K22-210	1800	600	5/8

