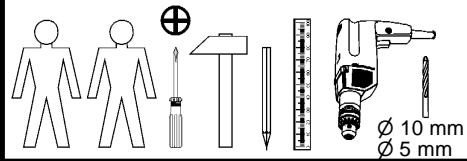
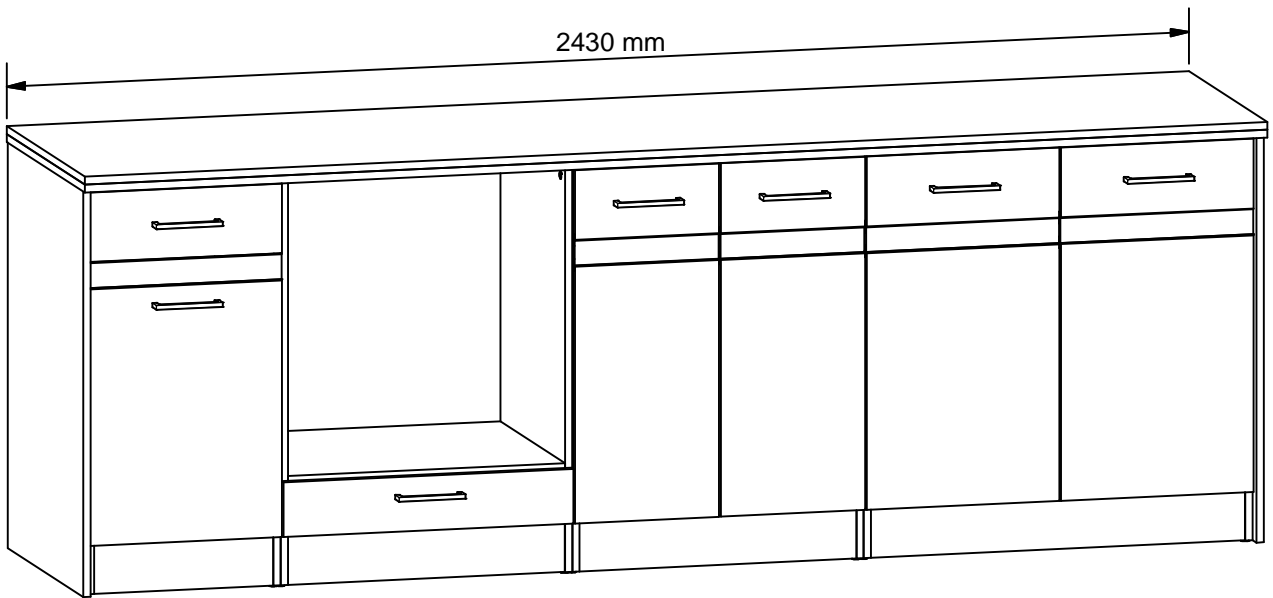
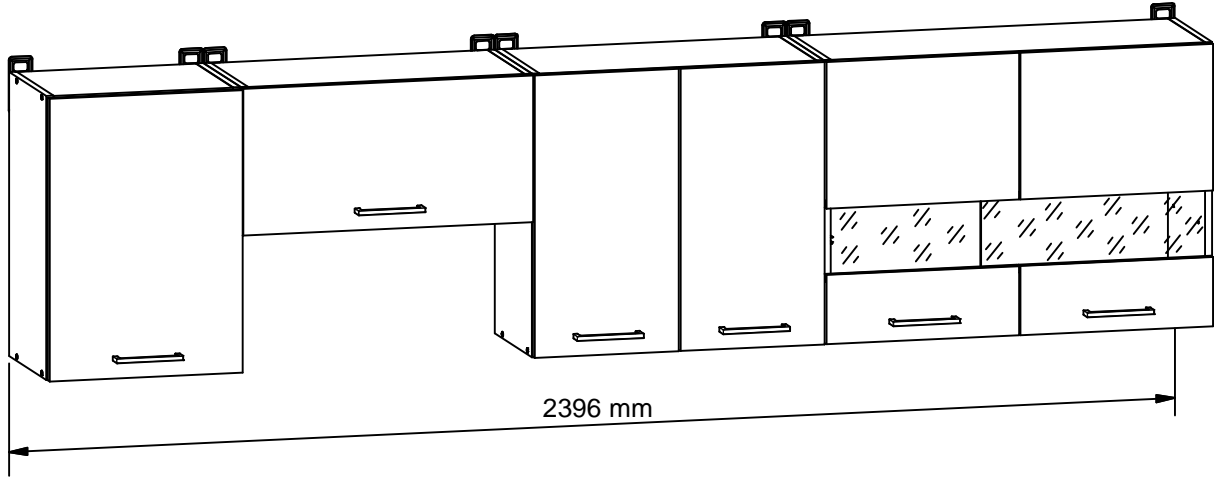
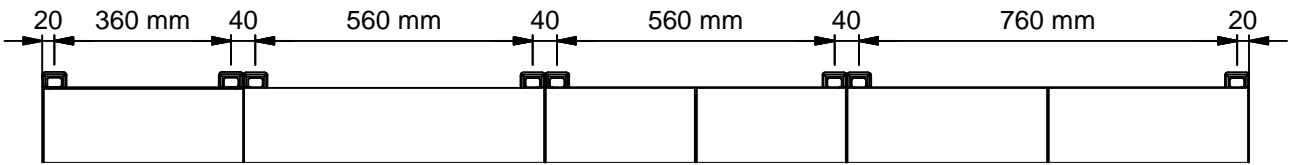


**A**

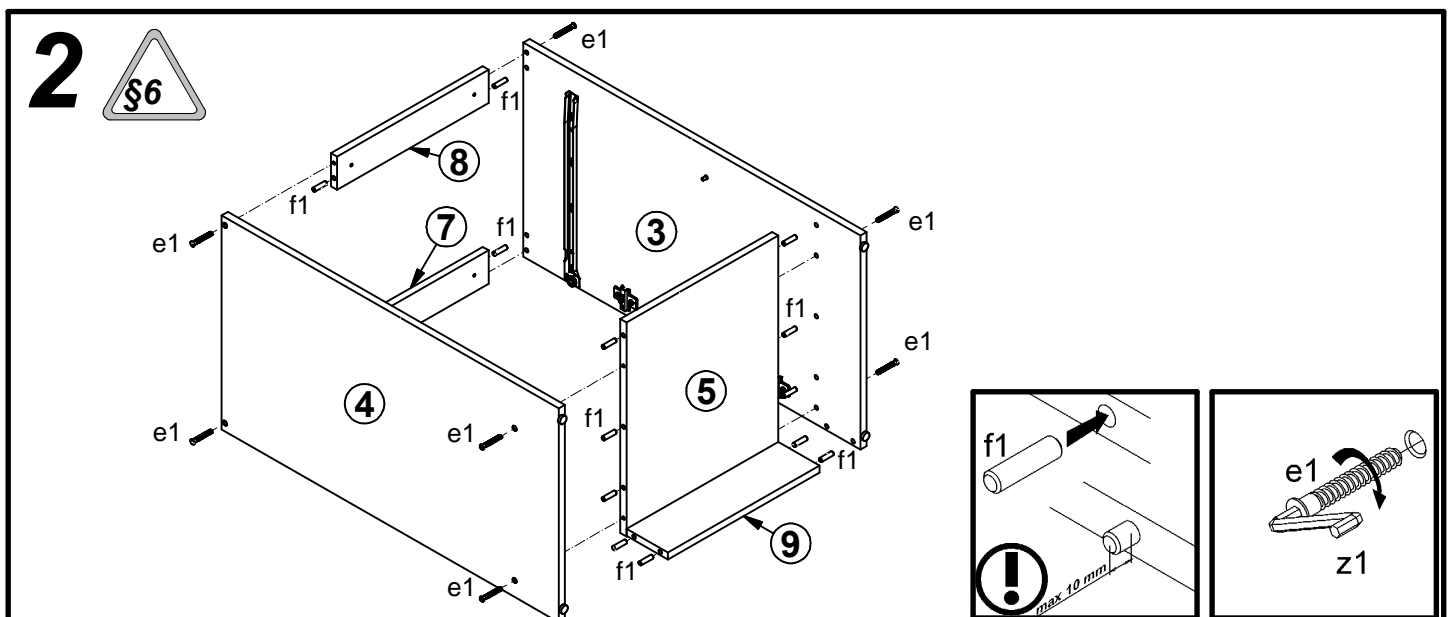
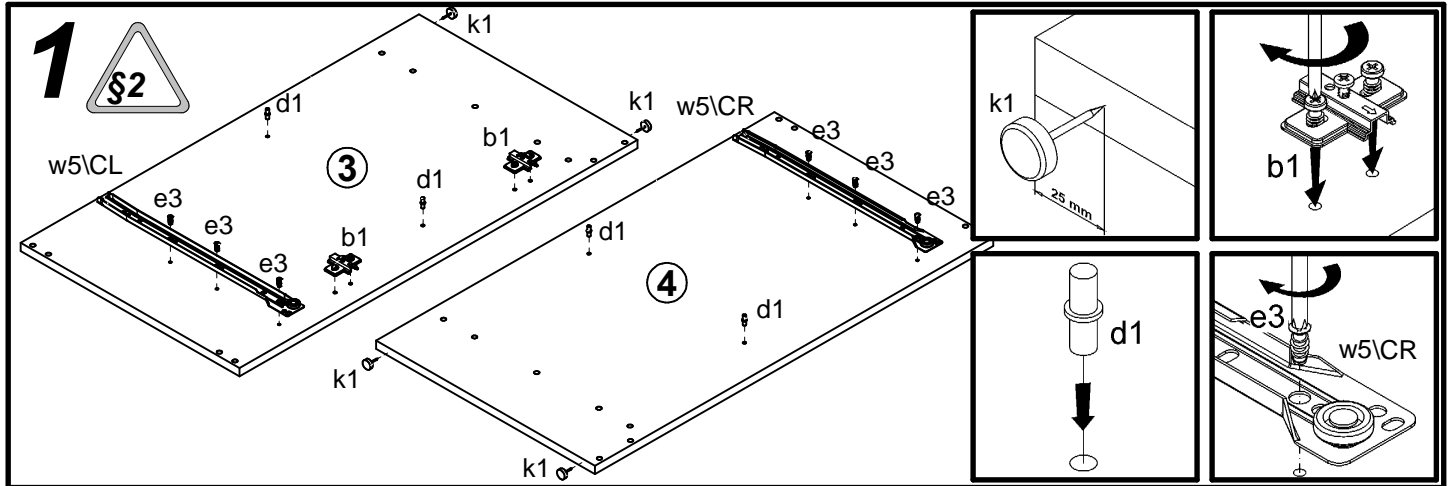
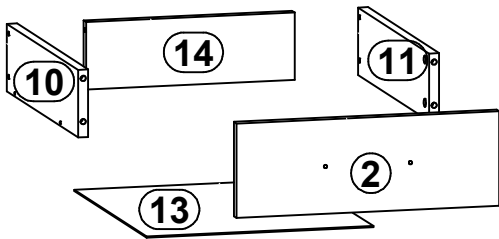
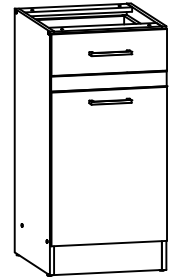
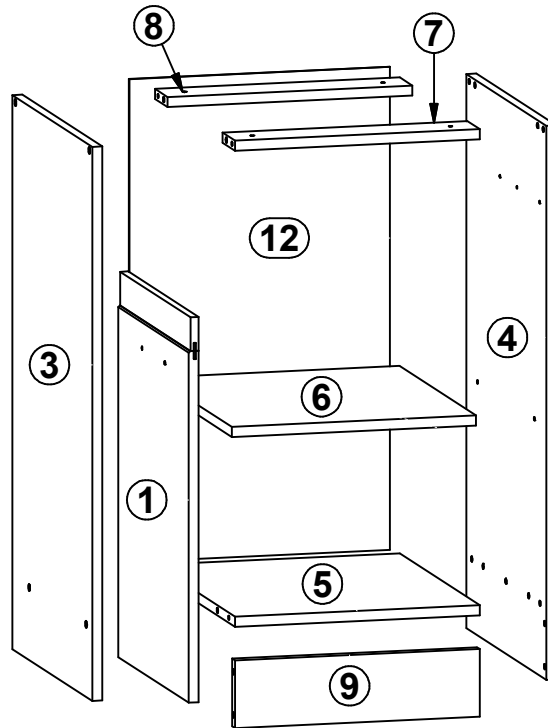
**K24-JUNONA 240 LB**

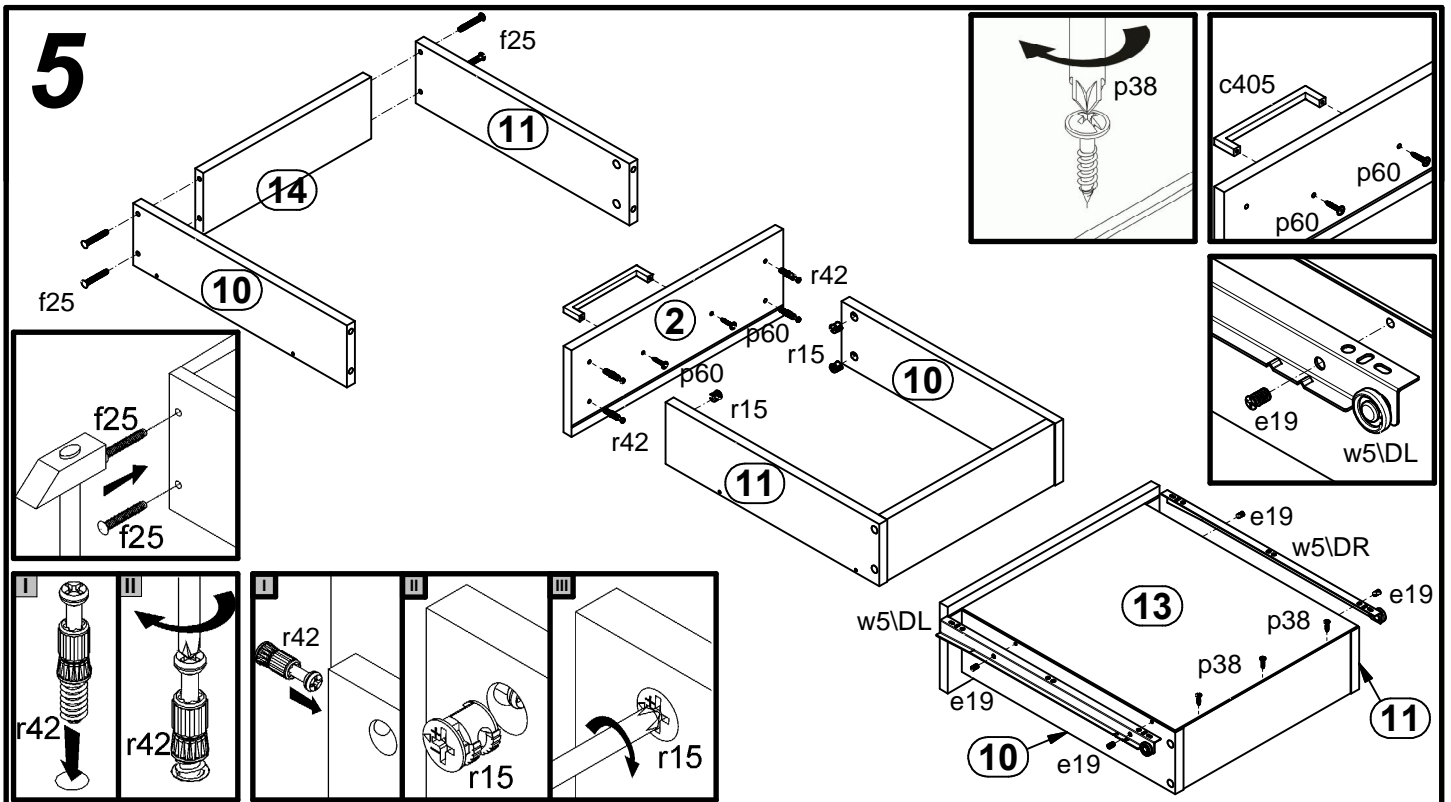
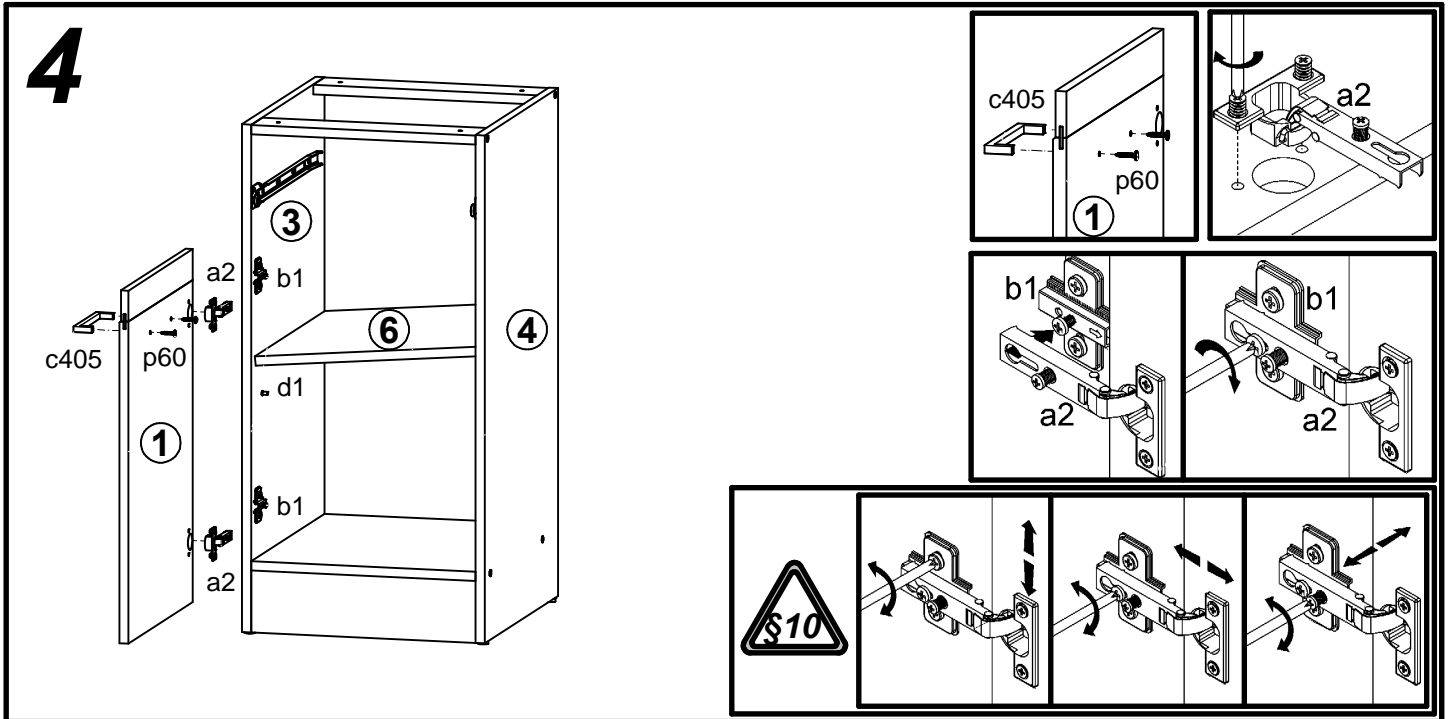
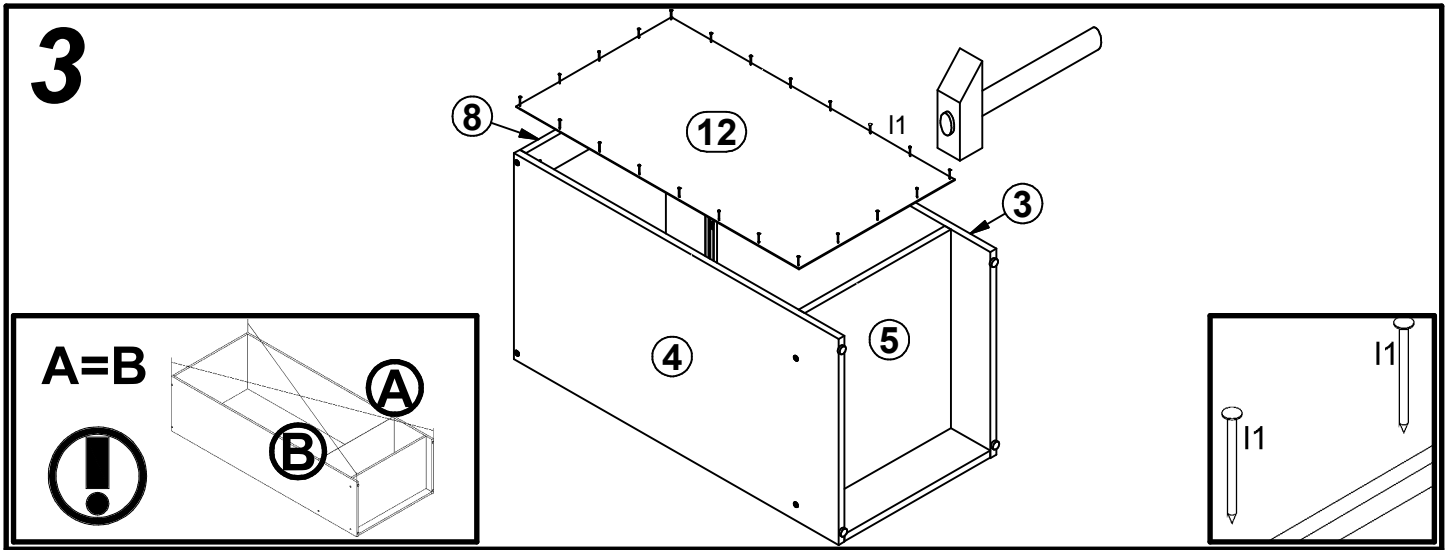


24x  a2	24x  b1	13x 128mm  c405	20x  d1 φ5x17 mm	64x  e1 φ7x50 mm	4x  e19 φ5x9 mm	6x  e3 φ6x13 mm	82x  f1 φ8x30 mm	4x  f25 φ6.5x40 mm
8x  f35 φ10x50 mm	16x  k1	195x  l1	1x  m5\1L	1x  m5\2	4x  n16\L	4x  n16\P	2x  p1 φ3.5x13 mm	8x  p127 φ6x60 mm
32x  p16 φ3.5x25 mm	8x  p21 φ4x30 mm	3x  p38 φ3.5x16 mm	1x  p48 φ3x25 mm	26x  p60 φ4x22 mm	8x  p94 φ4x28 mm	4x  r1 φ15x12 mm #16	4x  r15 φ12x10.5 mm #12	8x  r42
1x 400 mm  w5\CL	1x 400 mm  w5\CR	1x 400 mm  w5\DL	1x 400 mm  w5\DR	16x  s1	3x  z1			

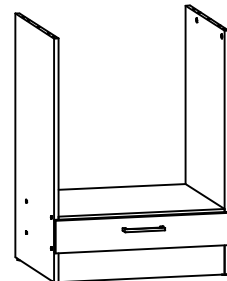
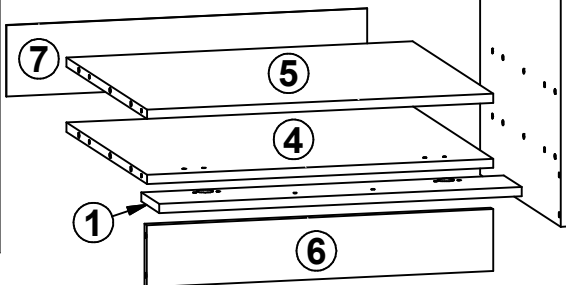
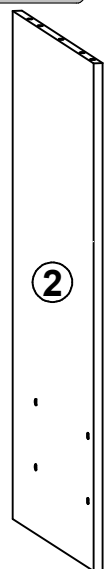
# K24-D1D1S/40/82

A	B	C	D
1	K24-024	396	570
2	K24-032	396	140
3	K24-103	820	450
4	K24-104	820	450
5	K24-307	369	450
6	K24-308	368	430
7	K24-411	369	70
8	K24-412	369	70
9	K24-413	369	100
10	K24-501	400	100
11	K24-502	400	100
12	K22-906	715	393
13	K22-922	406	342
14	ZS3-5527	314	100

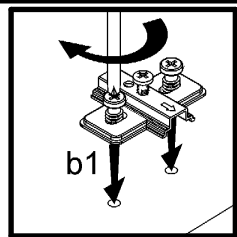
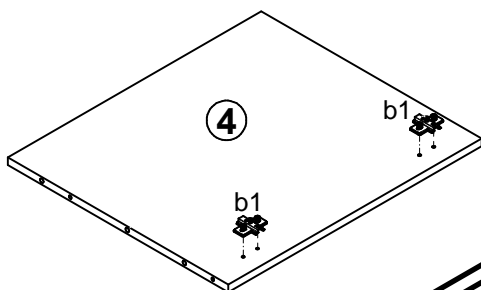




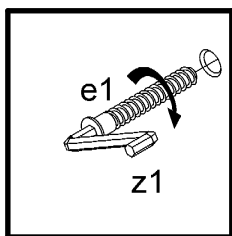
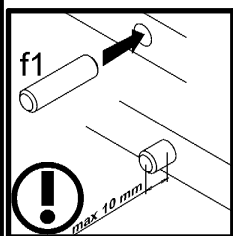
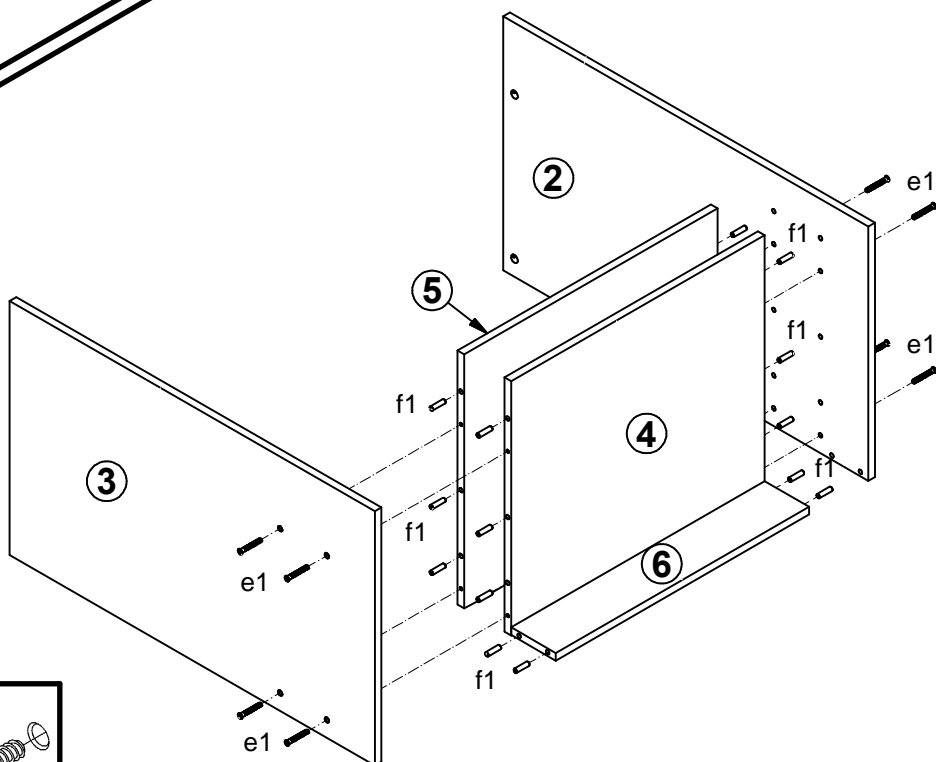
A	B	C	D
1	K24-036	596	110
2	K24-124	820	495
3	K24-125	820	495
4	K24-339	569	495
5	K24-340	569	495
6	K24-423	569	100
7	K22-925	593	115



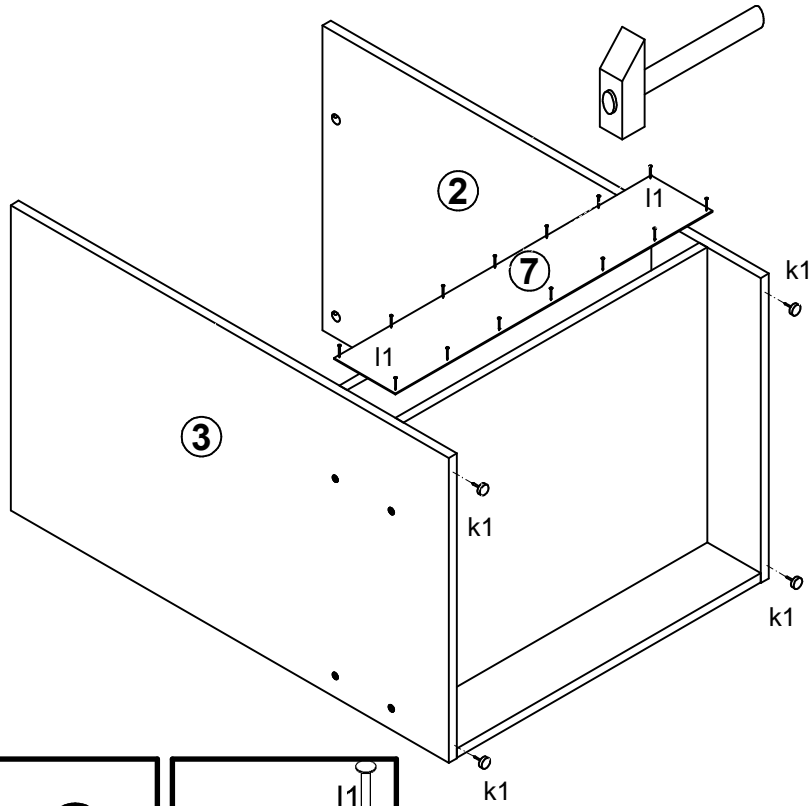
## 6



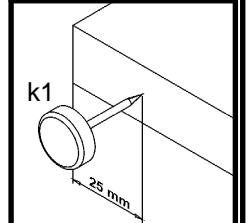
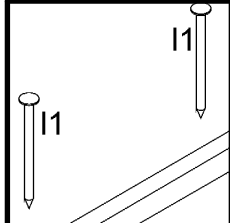
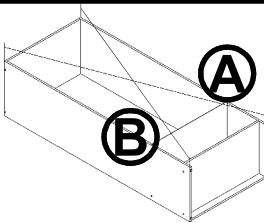
## 7



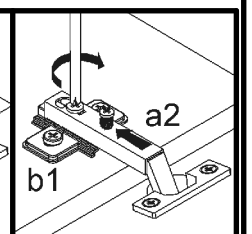
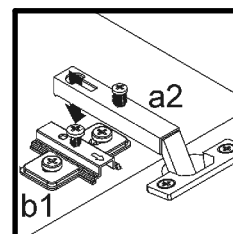
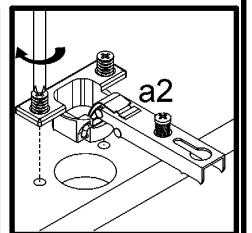
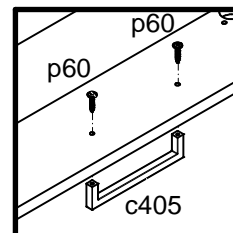
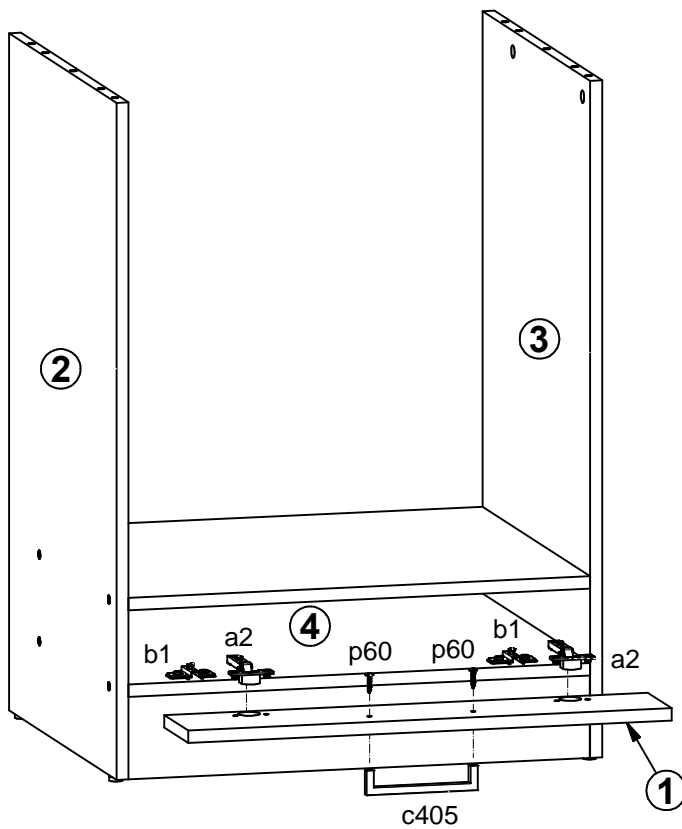
# 8



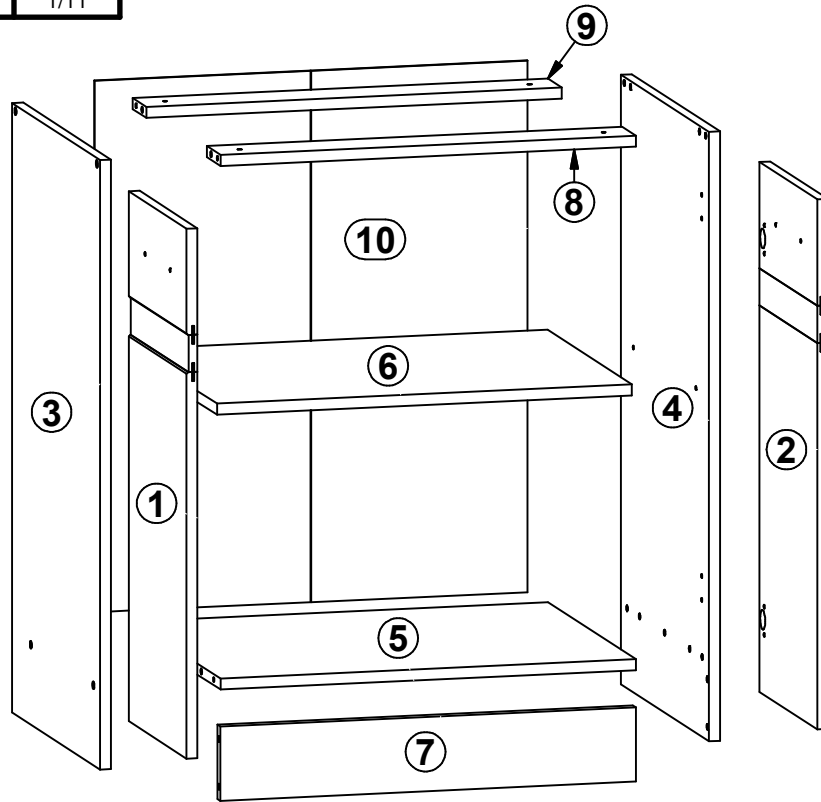
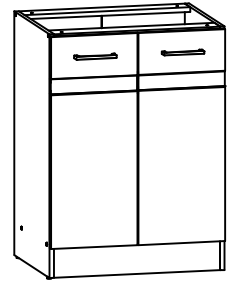
A=B



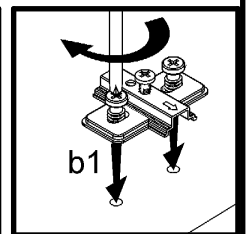
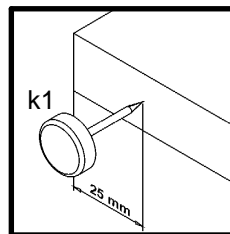
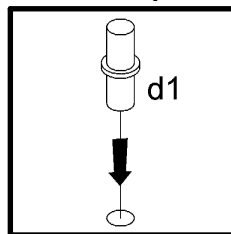
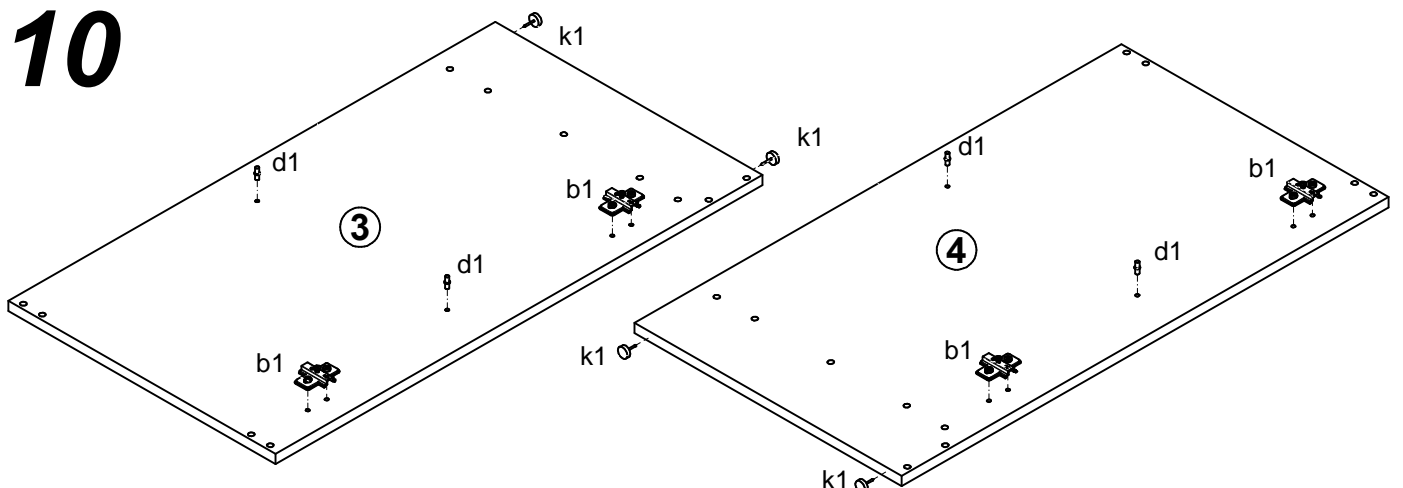
# 9



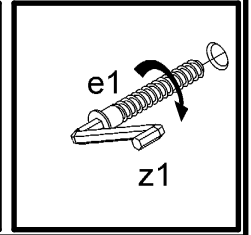
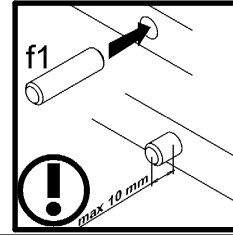
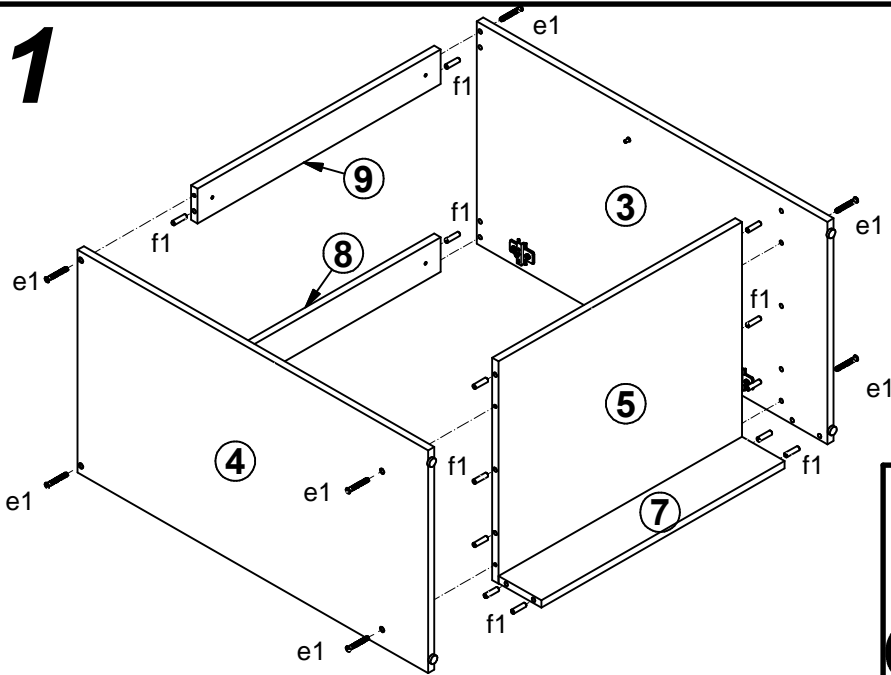
A	B	C	D	
1	K24-026	296	713	9/11
2	K24-027	296	713	9/11
3	K24-107	820	450	1/11
4	K24-108	820	450	1/11
5	K24-341	569	450	2/11
6	K24-342	568	430	2/11
7	K24-423	569	100	3/11
8	K24-424	569	70	3/11
9	K24-425	569	70	3/11
10	K22-926	715	593	1/11



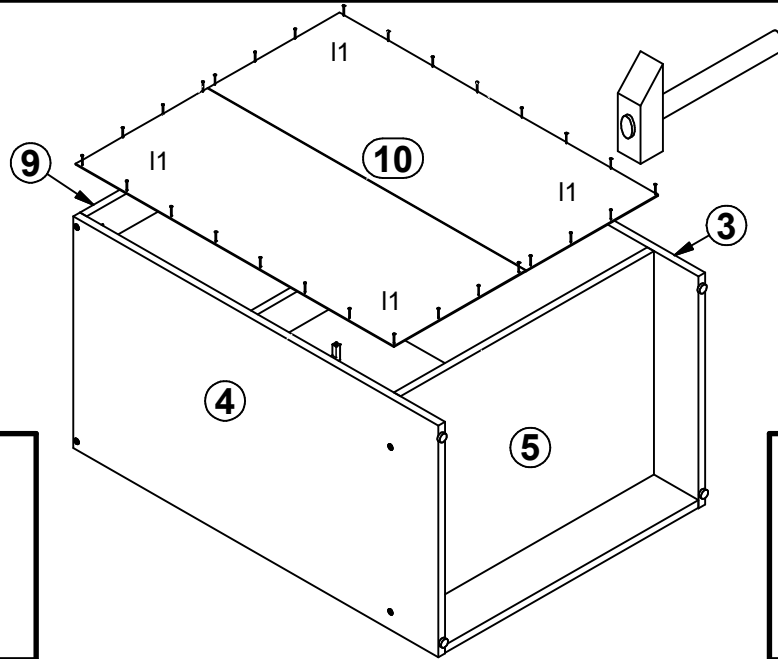
# 10



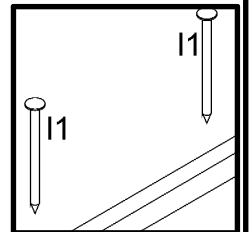
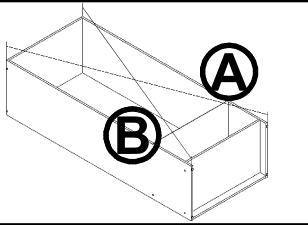
# 11



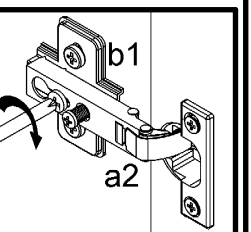
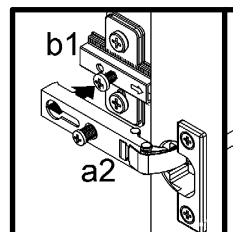
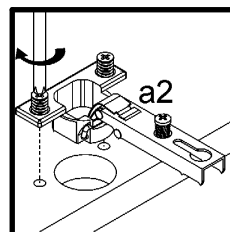
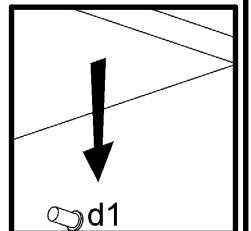
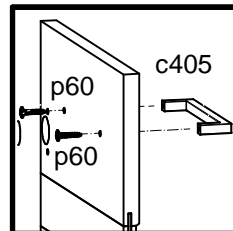
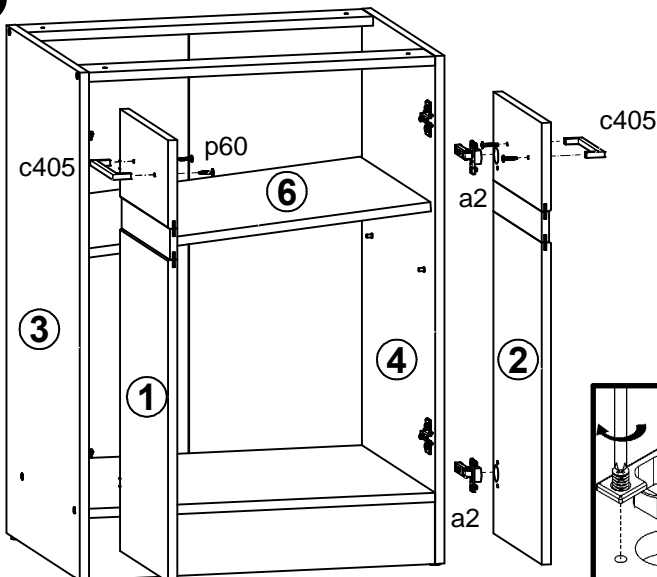
# 12



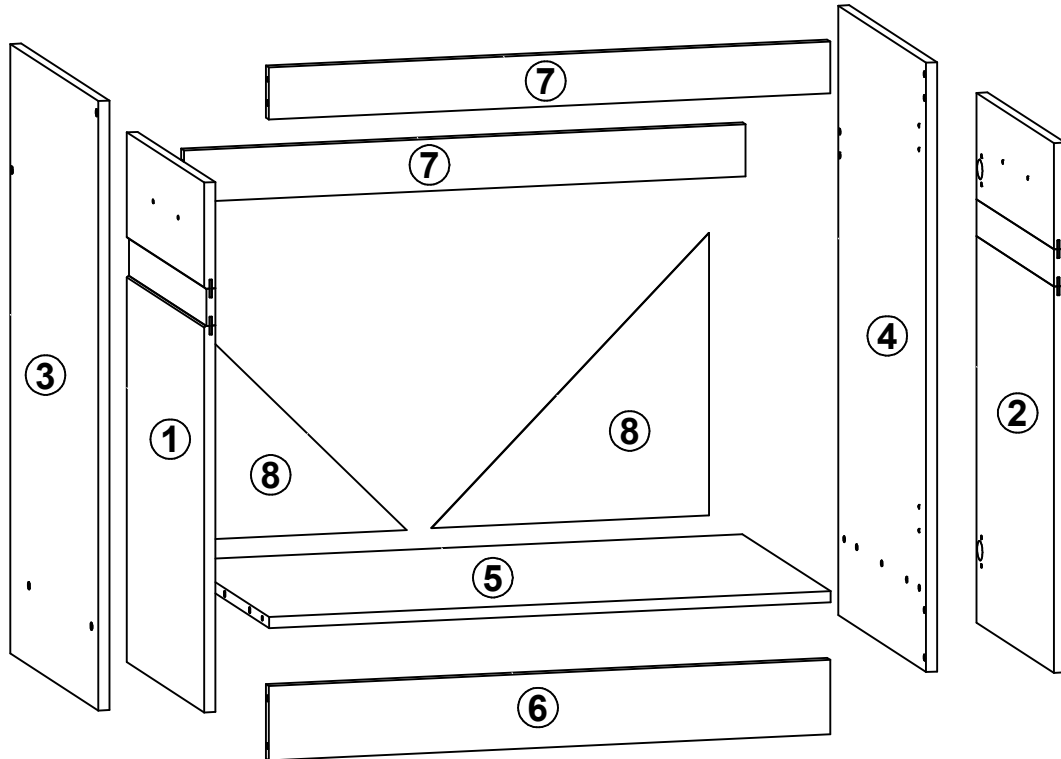
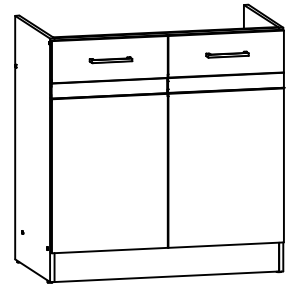
A=B



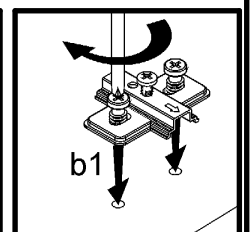
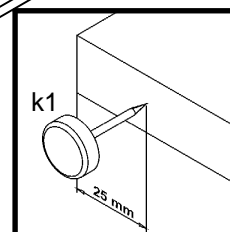
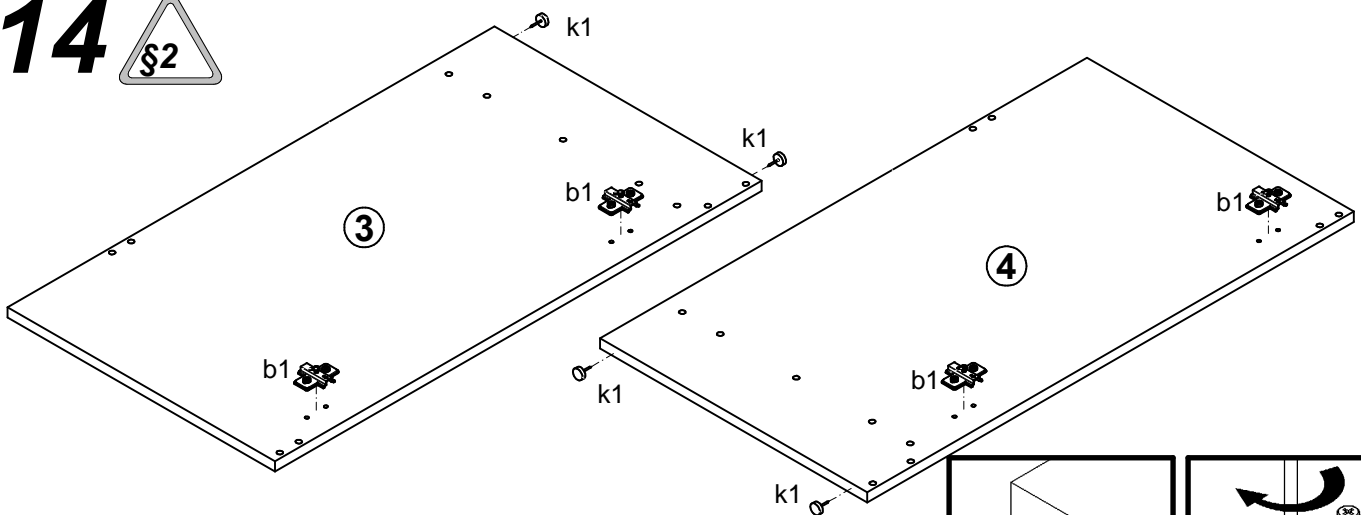
# 13



A	B	C	D	
1	K24-020	396	713	9/11
2	K24-021	396	713	9/11
3	K24-116	820	450	1/11
4	K24-117	820	450	1/11
5	K24-327	769	450	2/11
6	K24-417	769	100	4/11
7	K24-418	769	70	4/11
8	K22-918	380	380	1/11

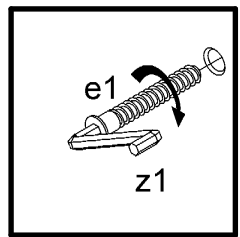
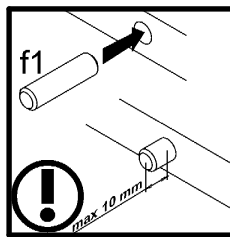
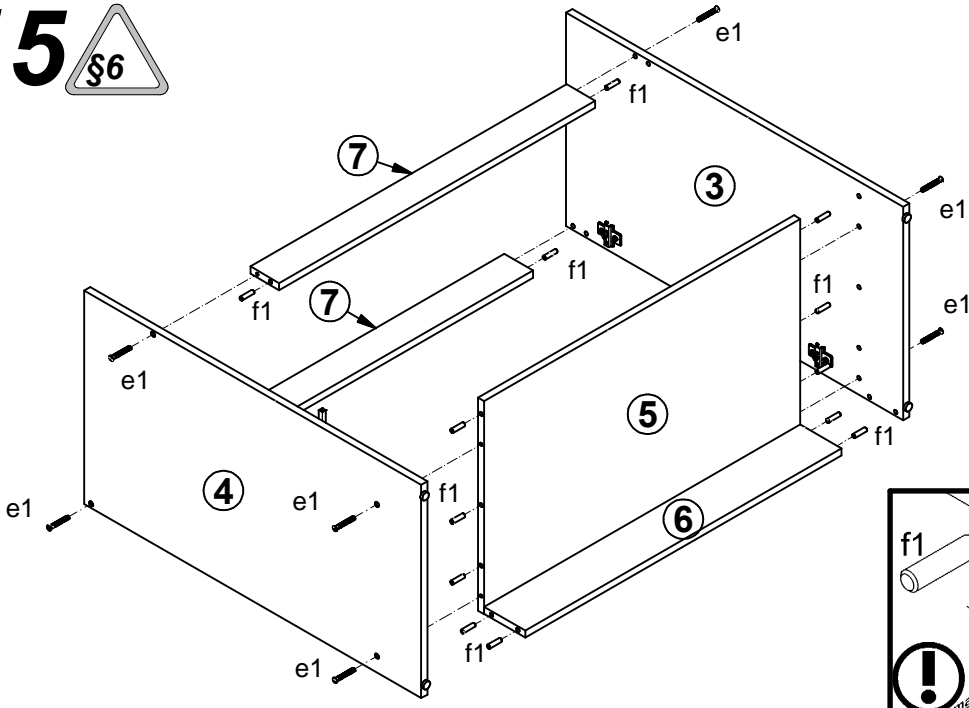


## 14

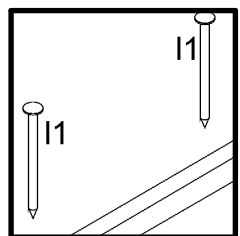
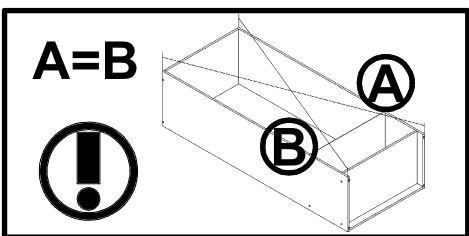
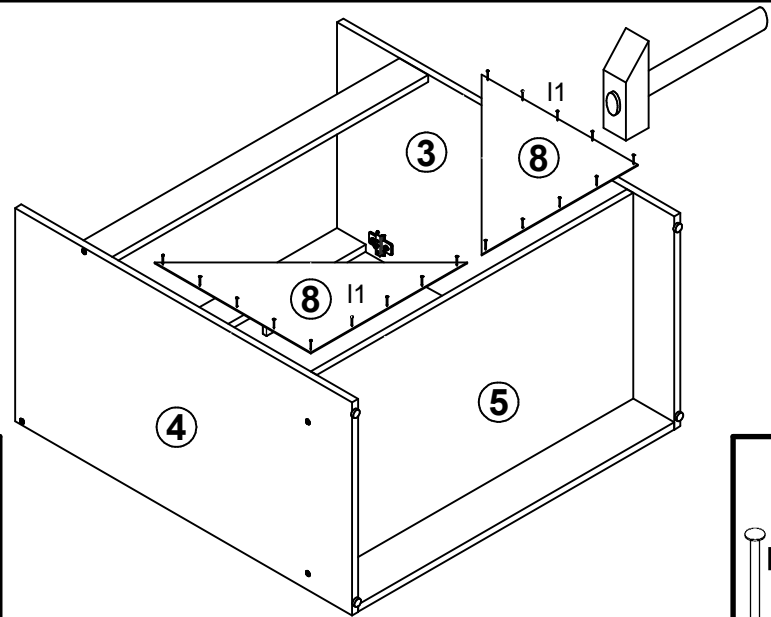




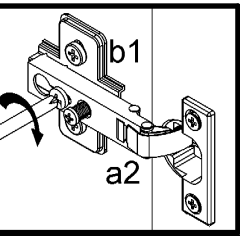
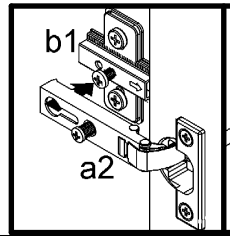
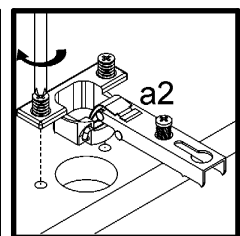
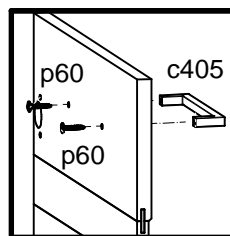
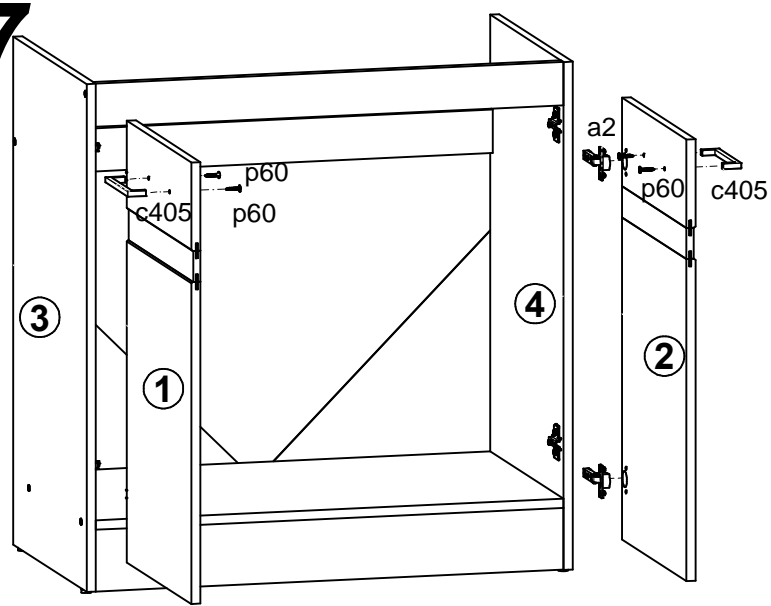
# 15



# 16

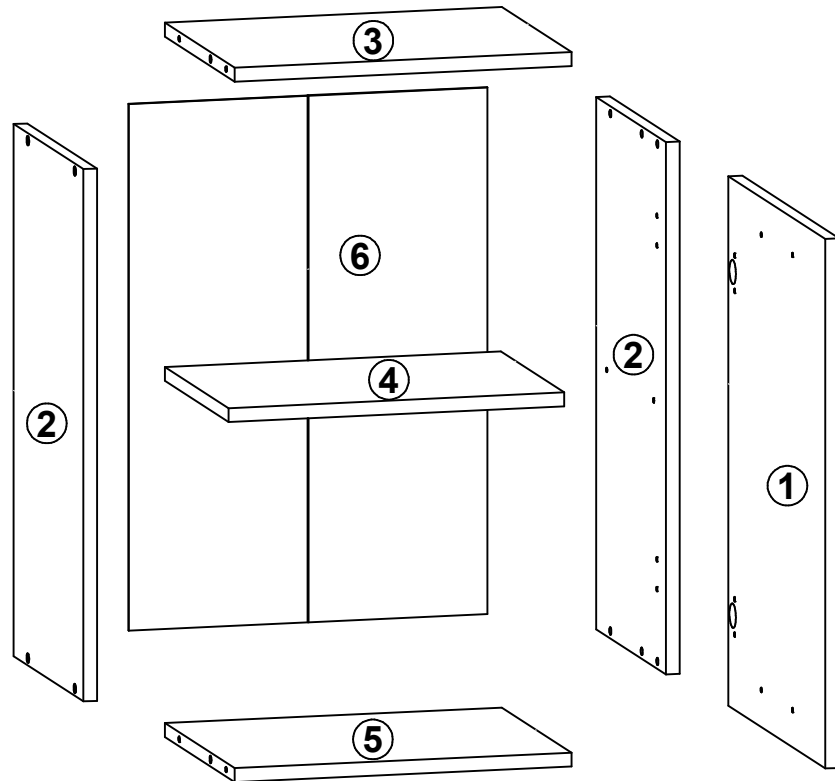
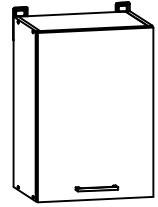
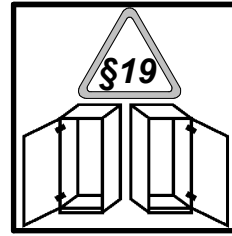


# 17

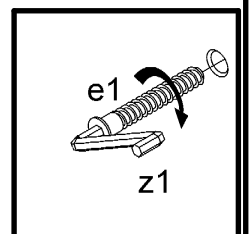
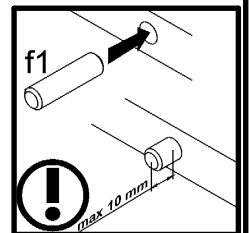
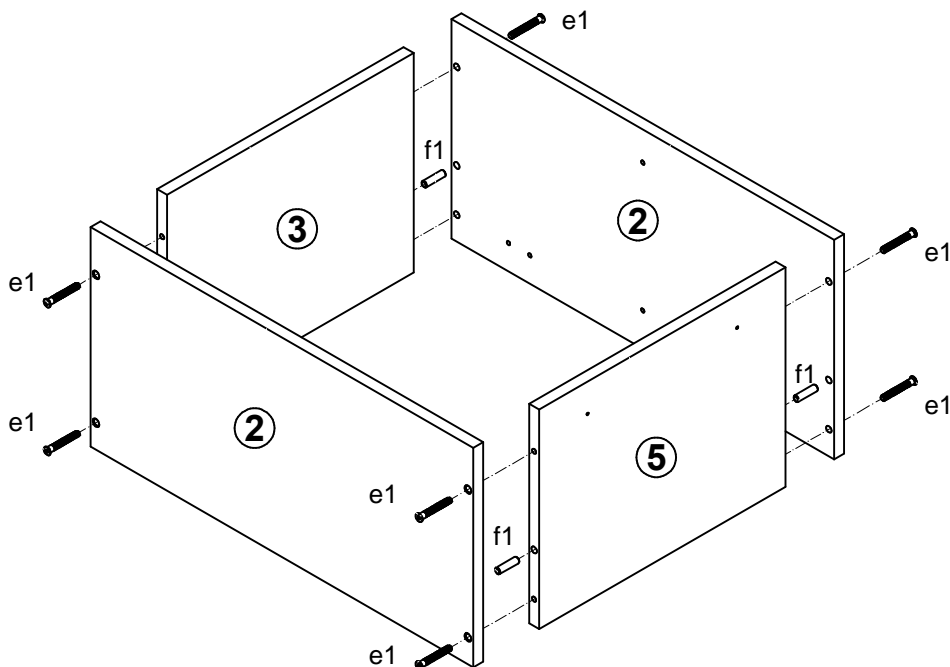


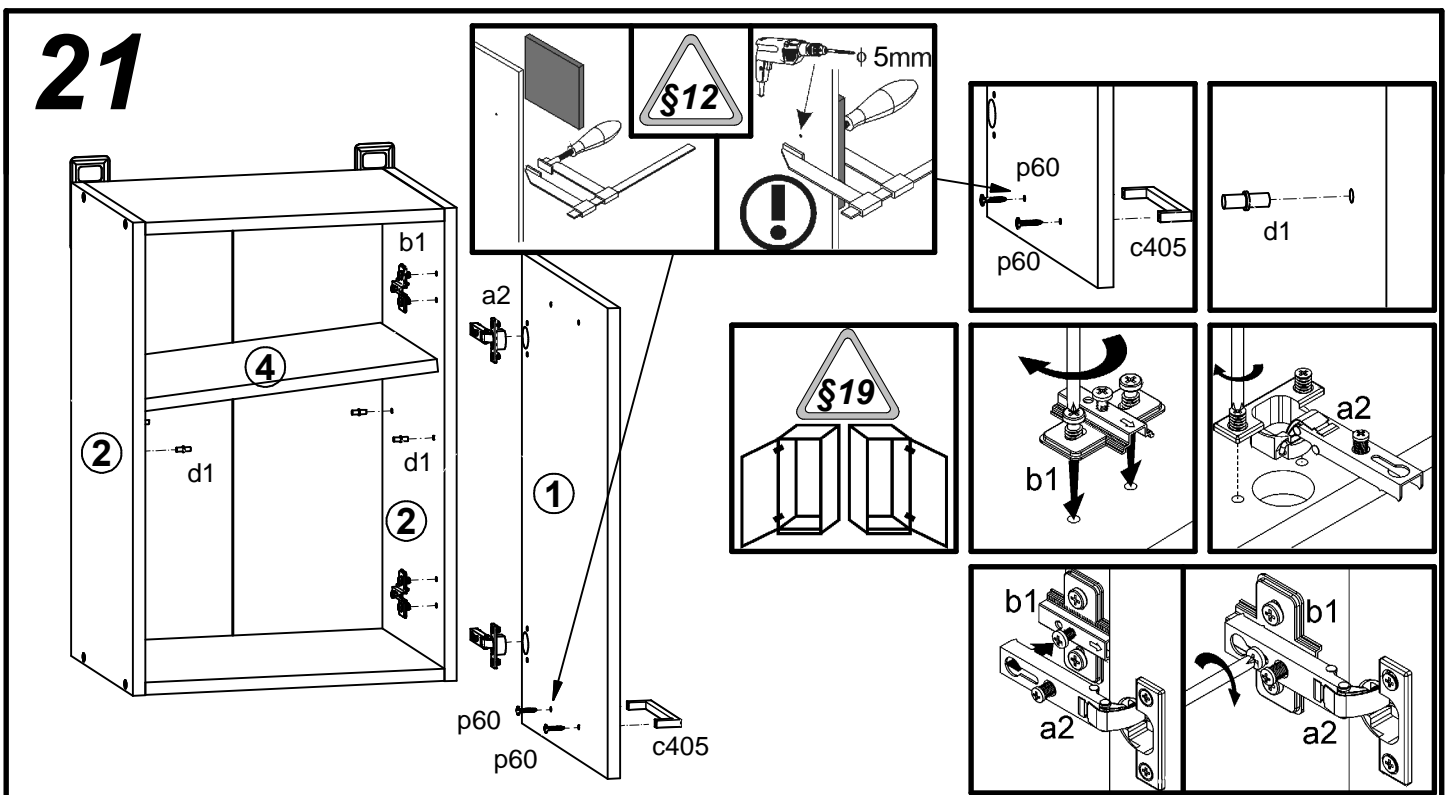
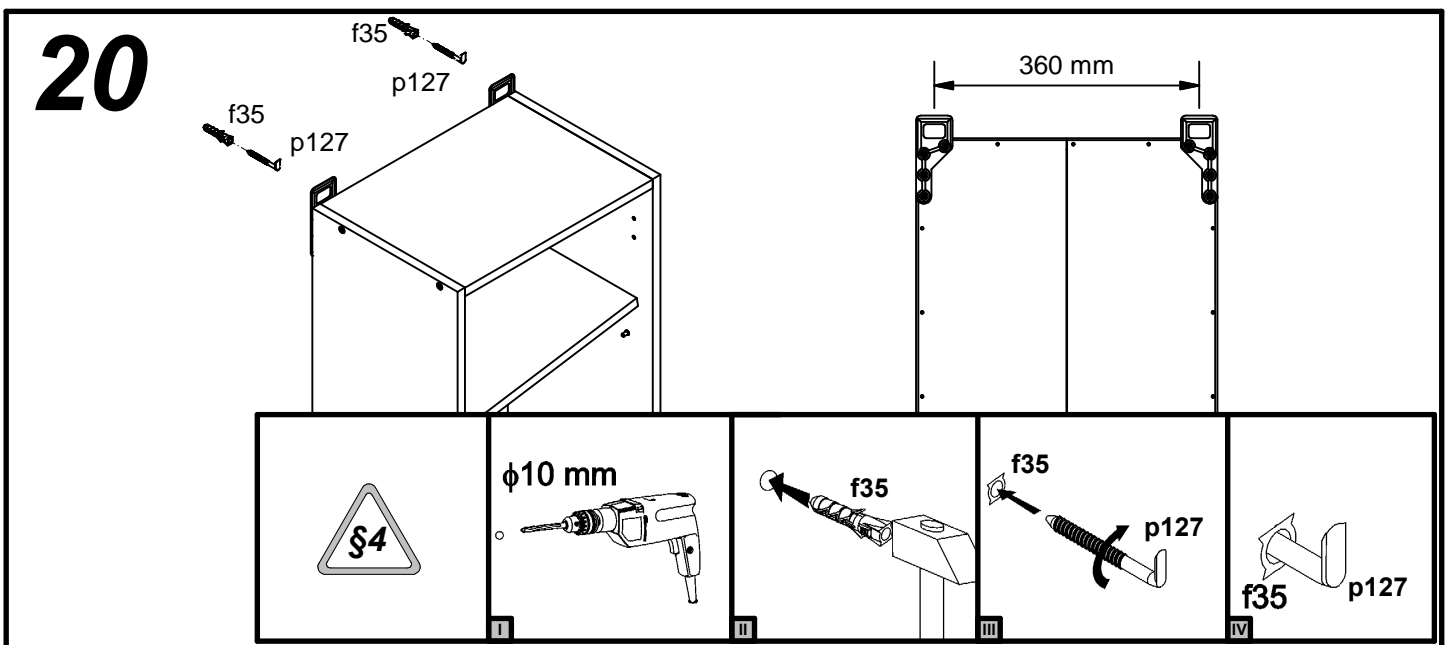
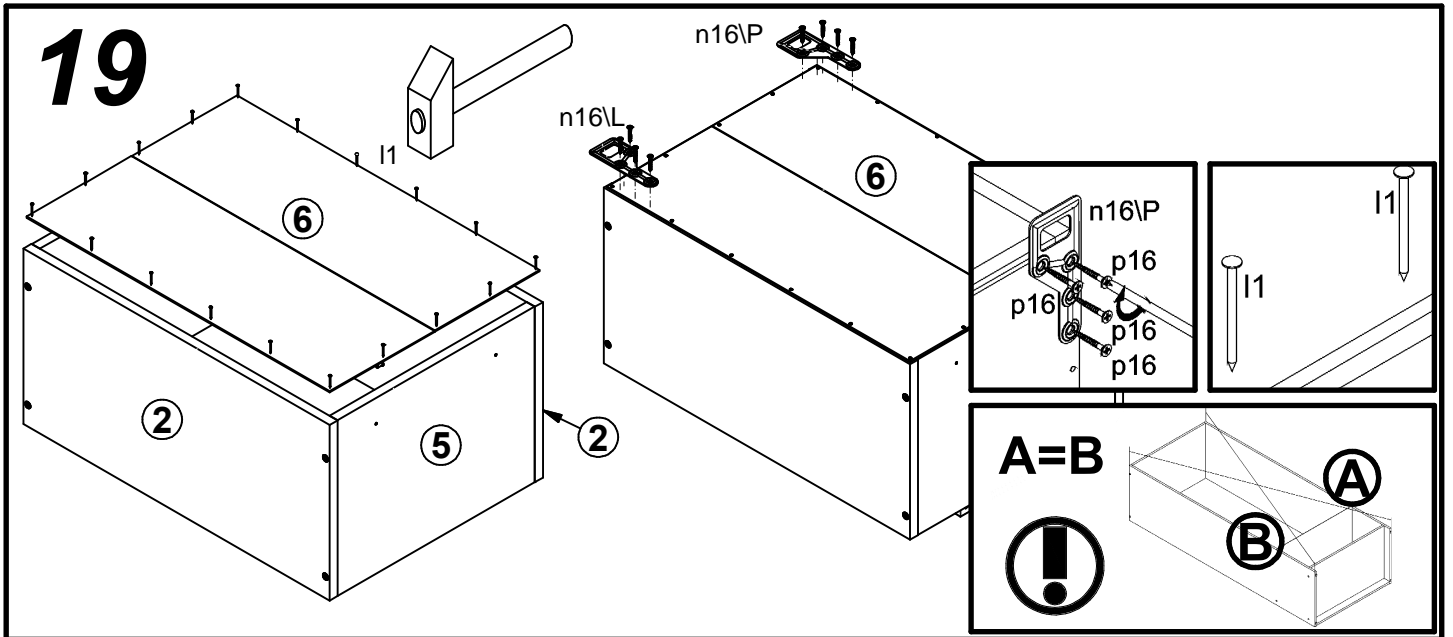
# K24-G1D/40/57-LP

A	B	C	D	
1	K24-029	396	570	10/11
2	K24-101	573	285	3/11
3	K24-311	369	285	4/11
4	K24-312	368	260	4/11
5	K24-323	369	285	4/11
6	K22-908	567	393	1/11

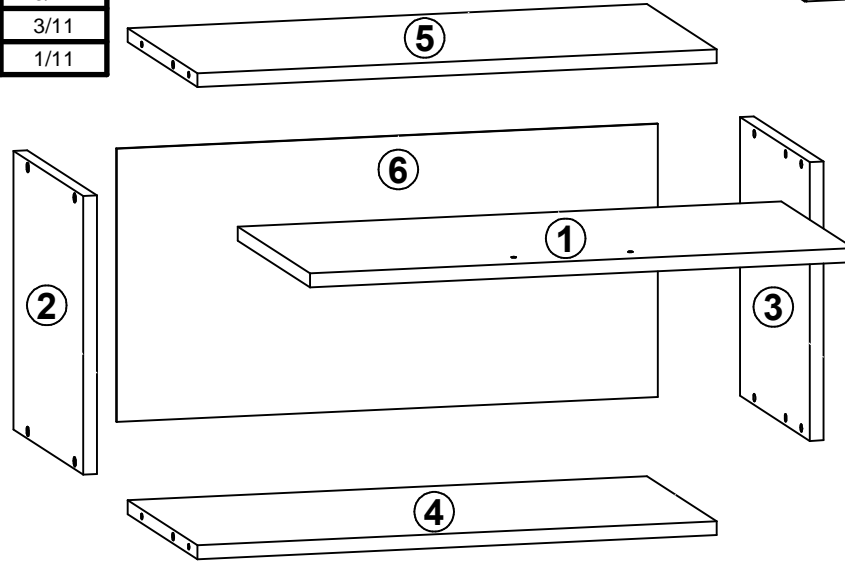
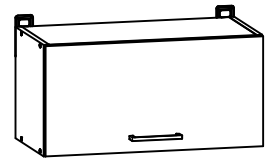


## 18

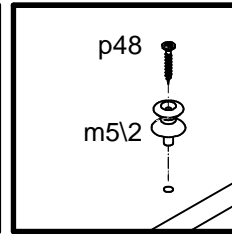
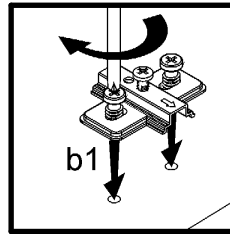
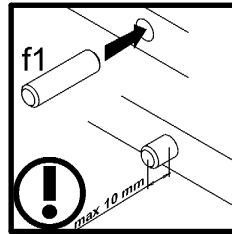
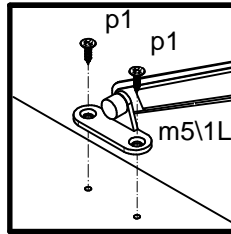
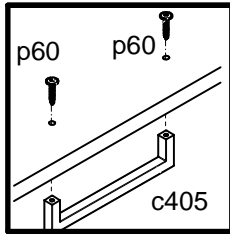
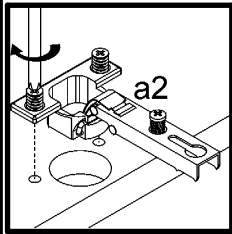
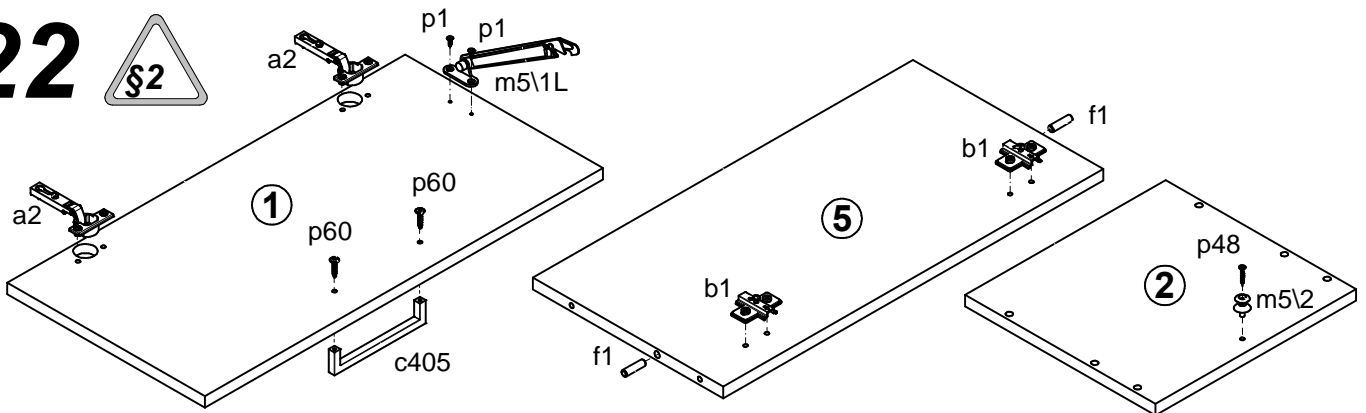




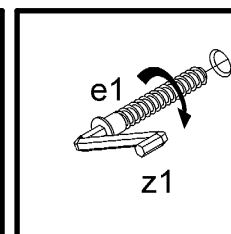
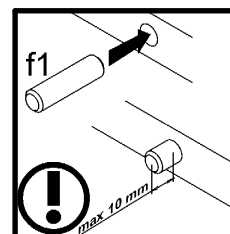
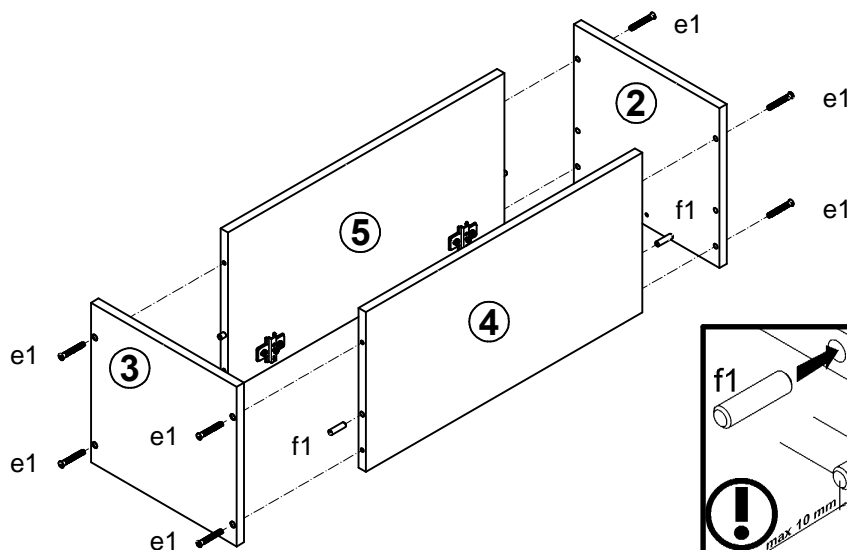
A	B	C	D	
1	K24-019	596	296	10/11
2	K24-118	300	285	4/11
3	K24-119	300	285	4/11
4	K24-330	569	285	3/11
5	K24-331	569	285	3/11
6	K22-920	593	294	1/11

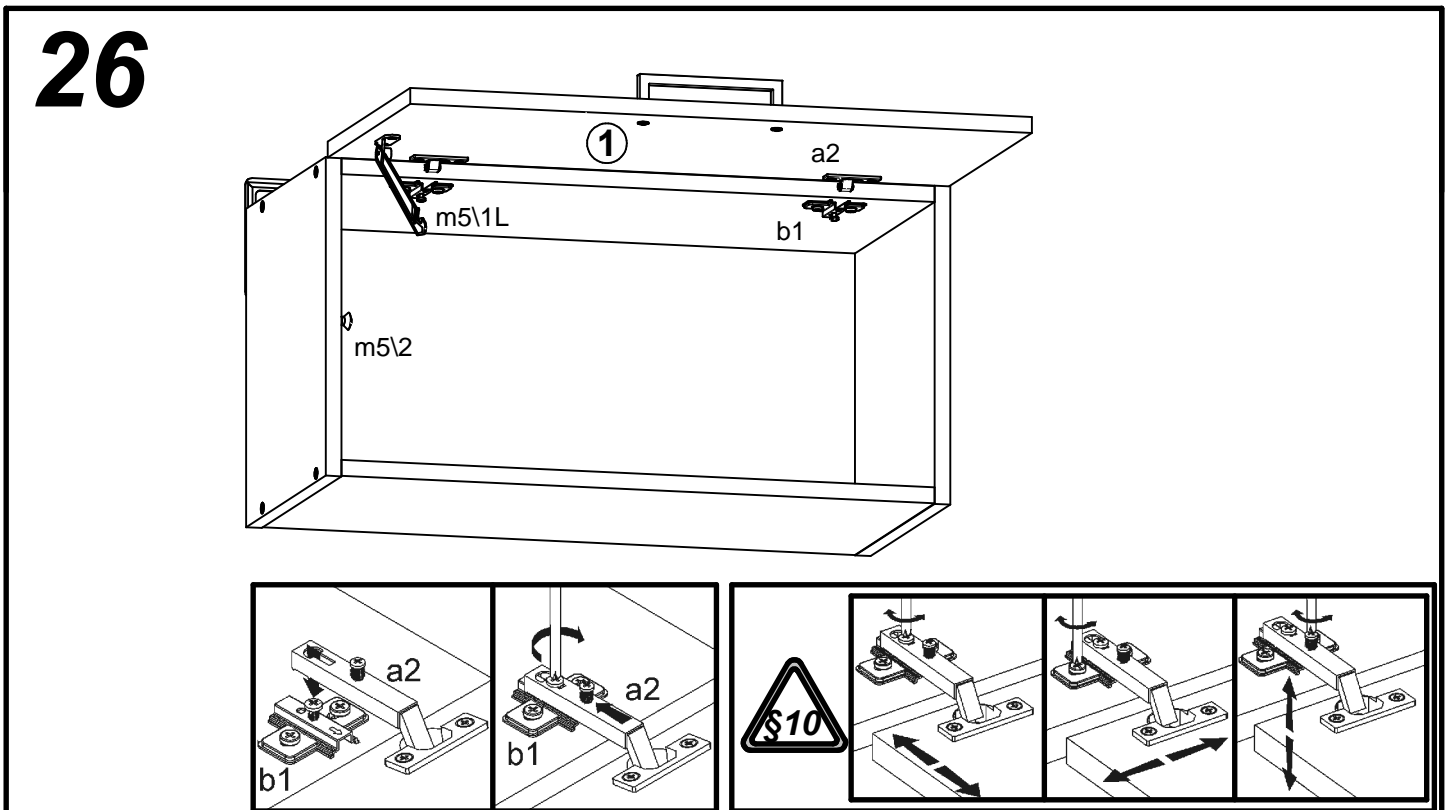
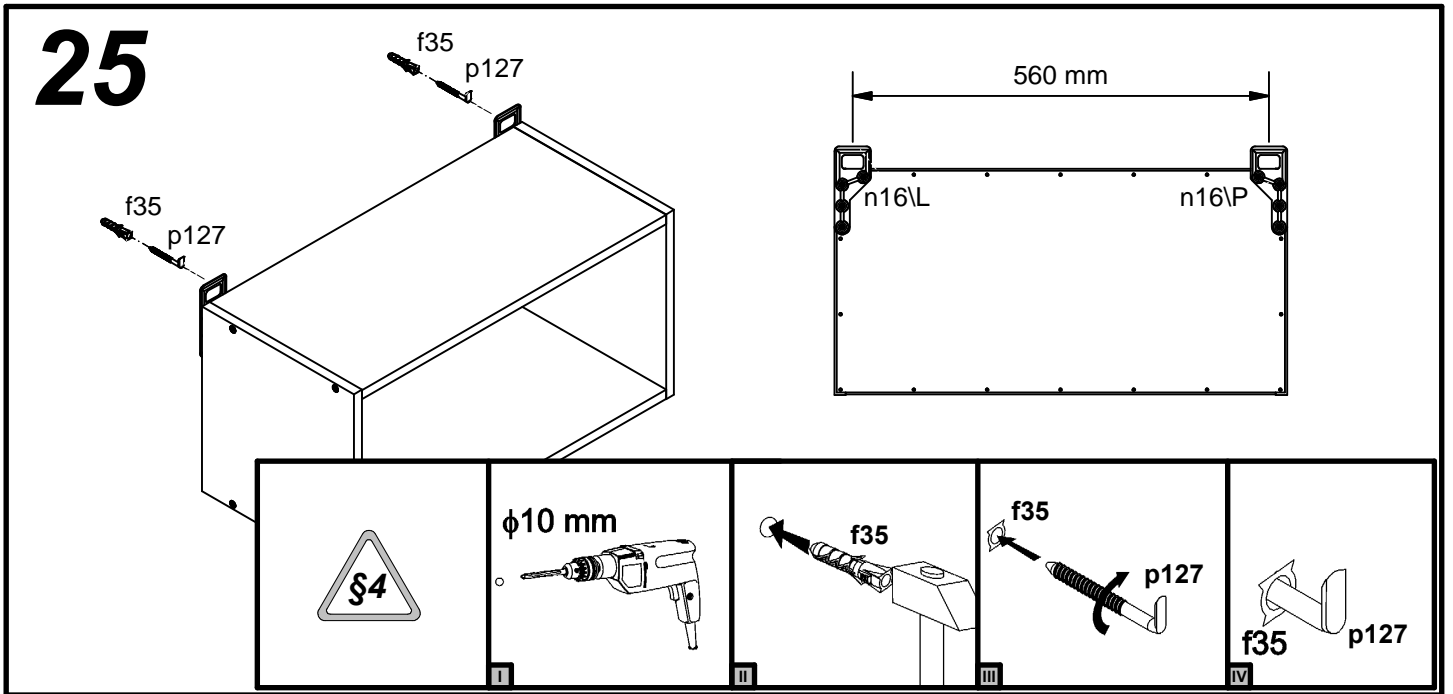
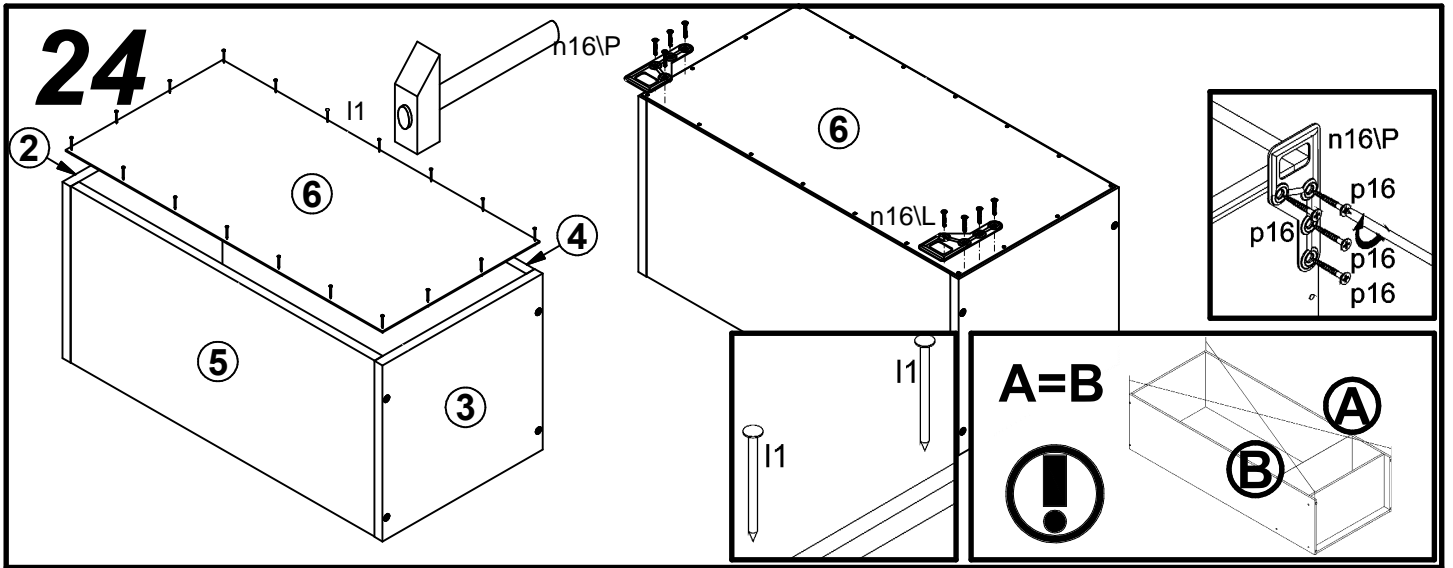


## 22

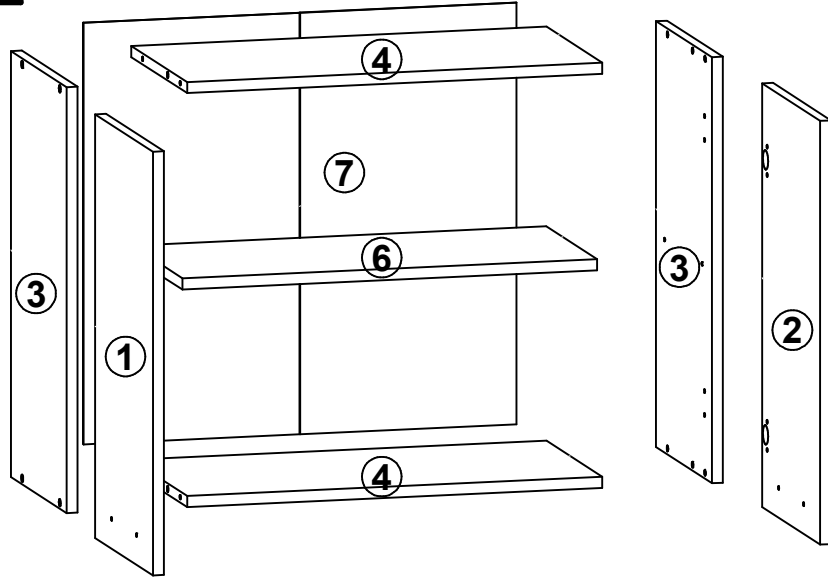
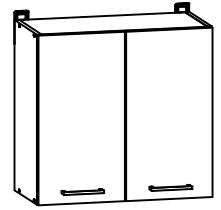


## 23

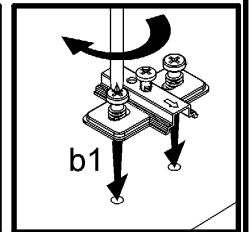
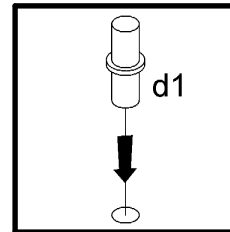
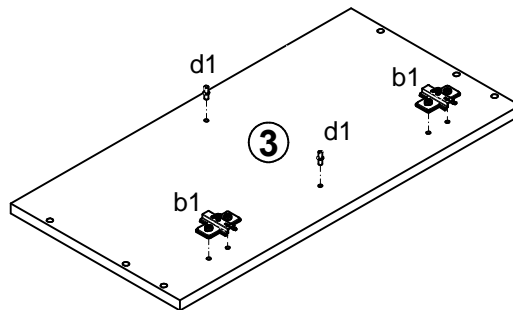




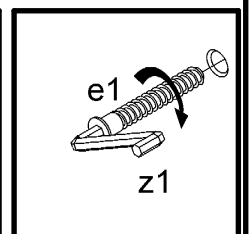
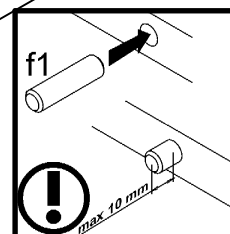
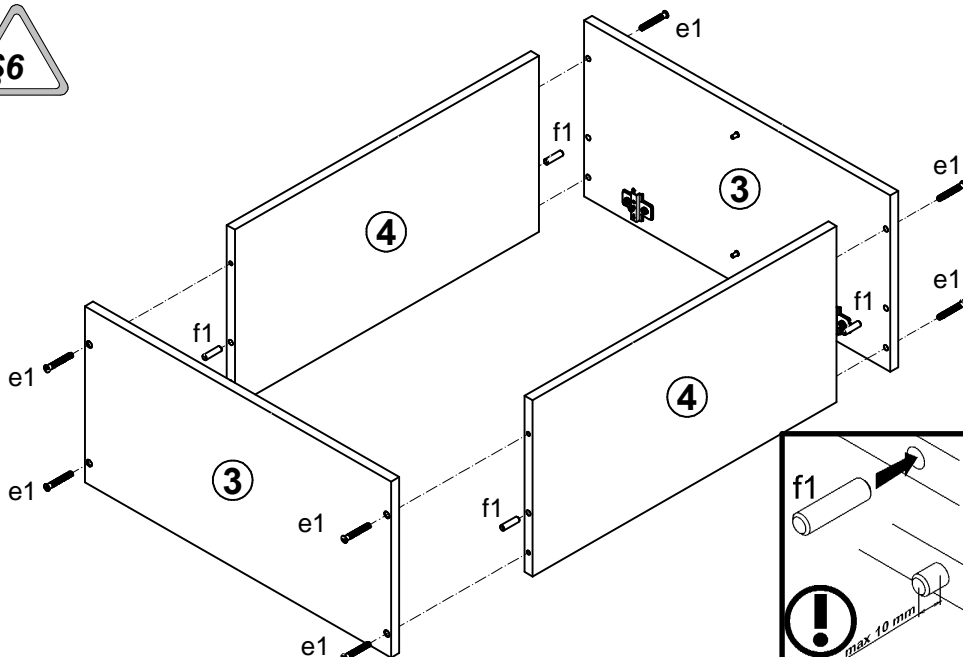
A	B	C	D	
1	K24-037	296	570	10/11
2	K24-038	296	570	10/11
3	K24-101	573	285	3/11
4	K24-330	569	285	3/11
6	K24-344	568	260	3/11
7	K22-927	567	593	1/11



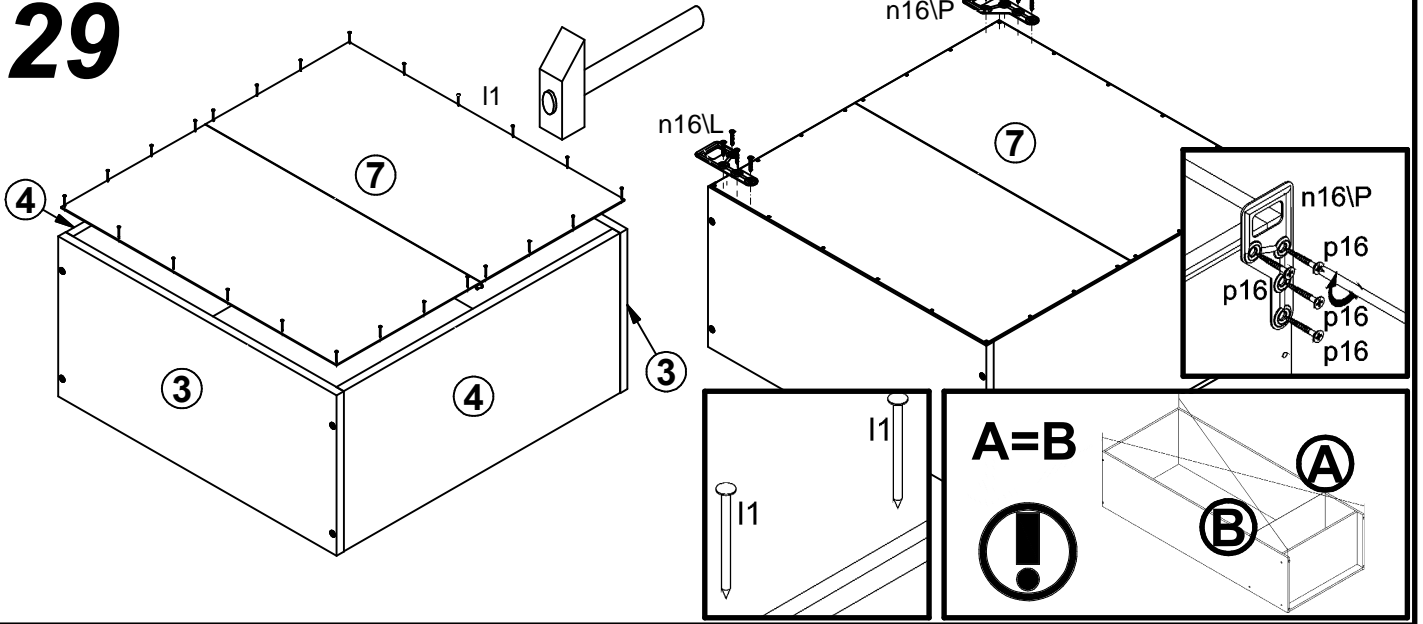
## 27



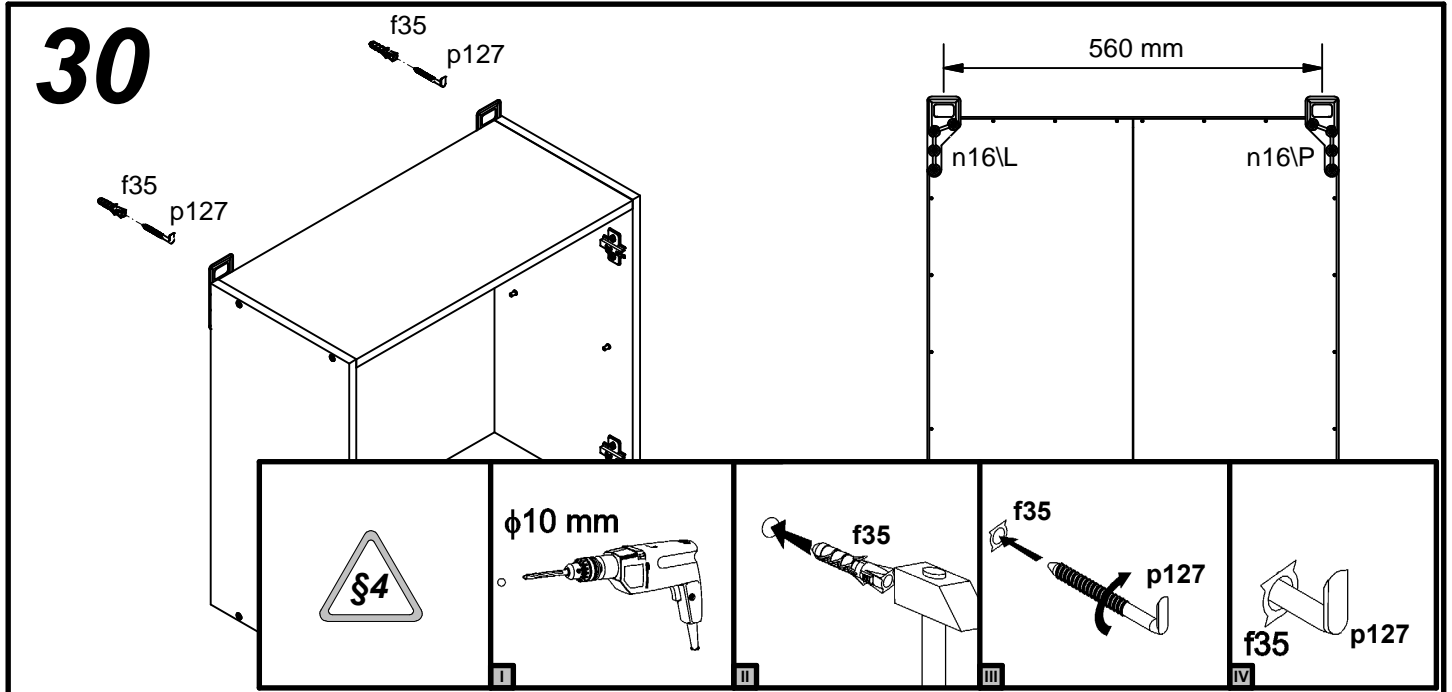
## 28



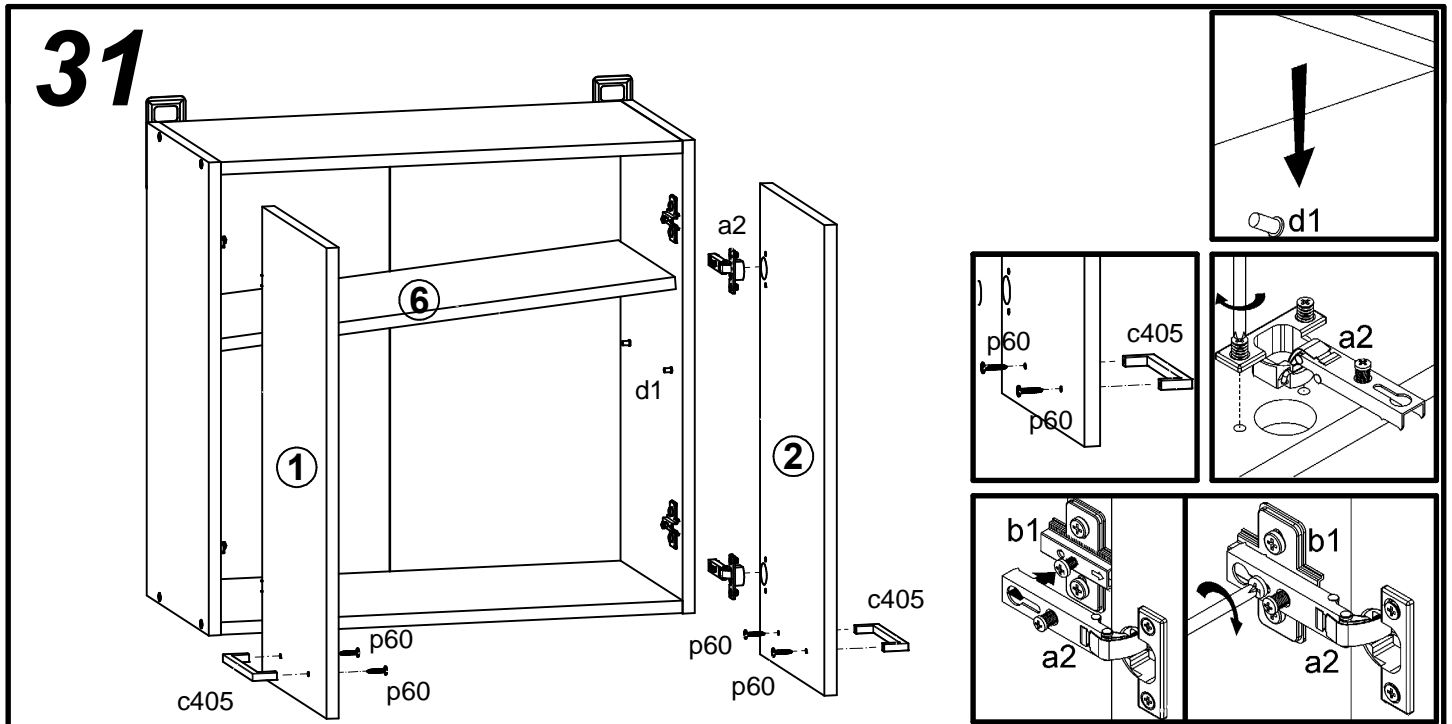
# 29



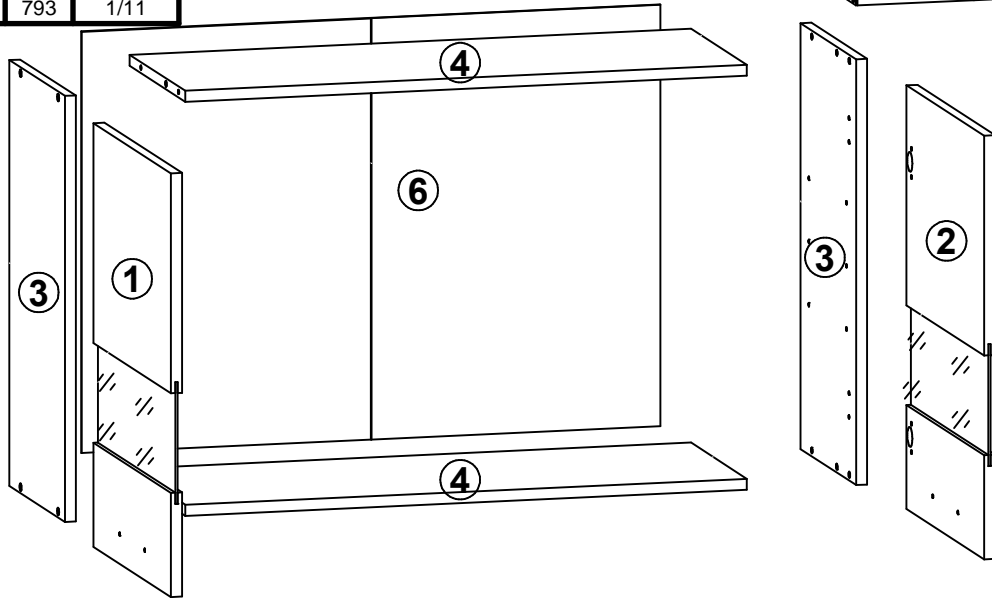
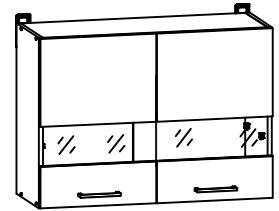
# 30



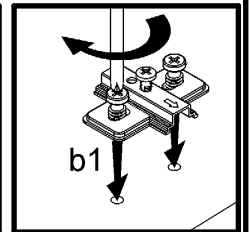
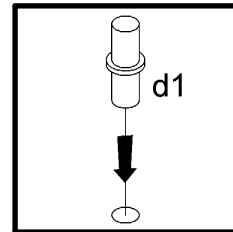
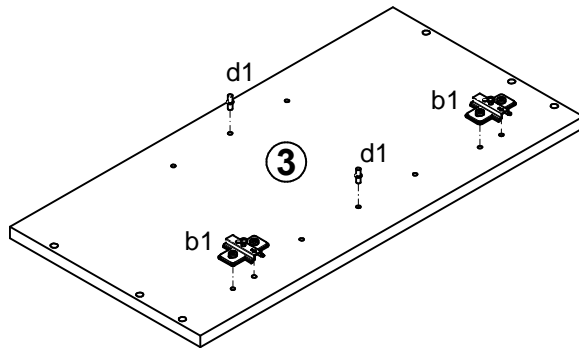
# 31



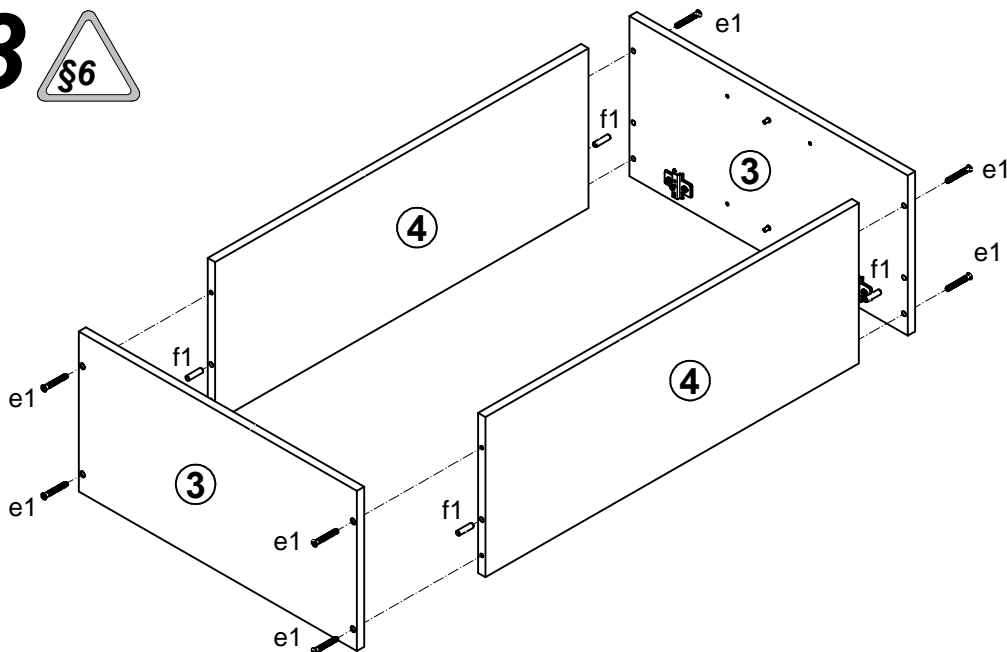
A	B	C	D
1	K24-017	396	570
2	K24-018	396	570
3	K24-120	573	285
4	K24-328	769	285
5	K24-329	768	260
6	K22-928	567	793



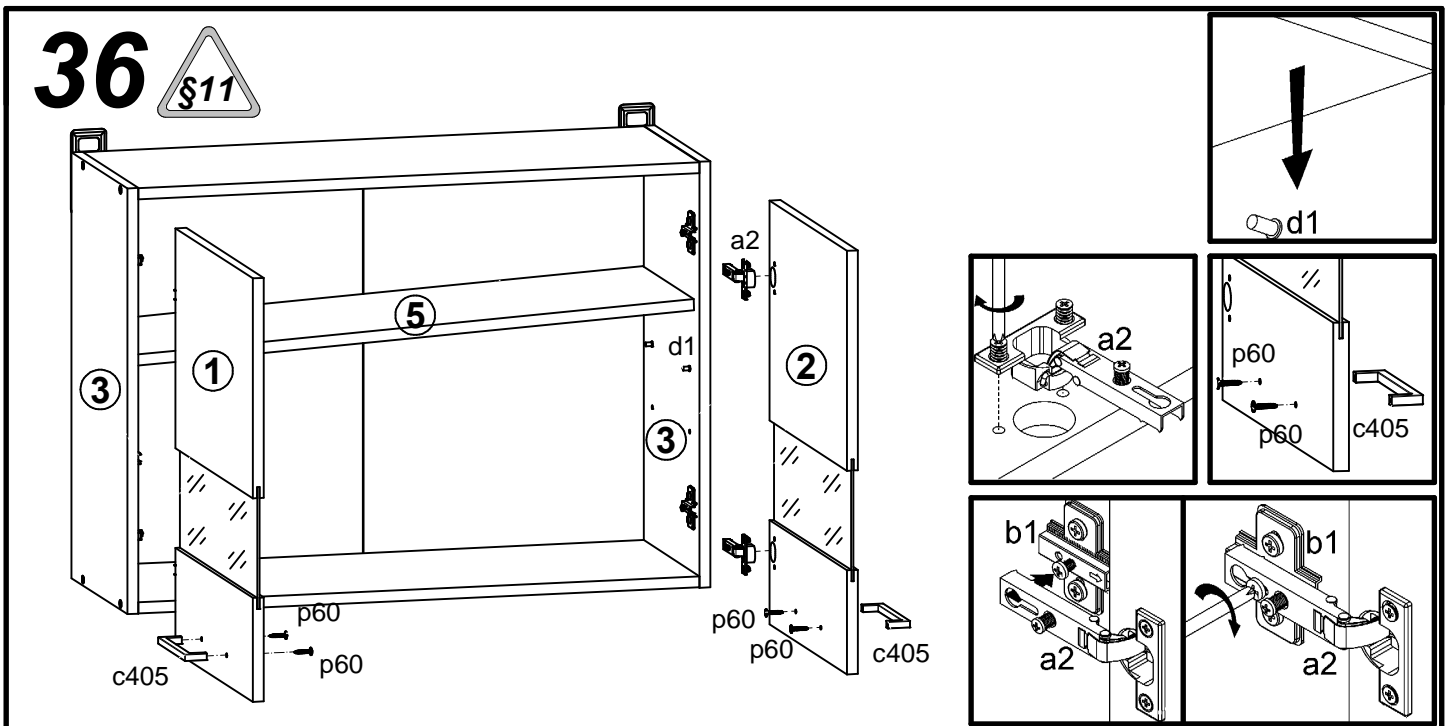
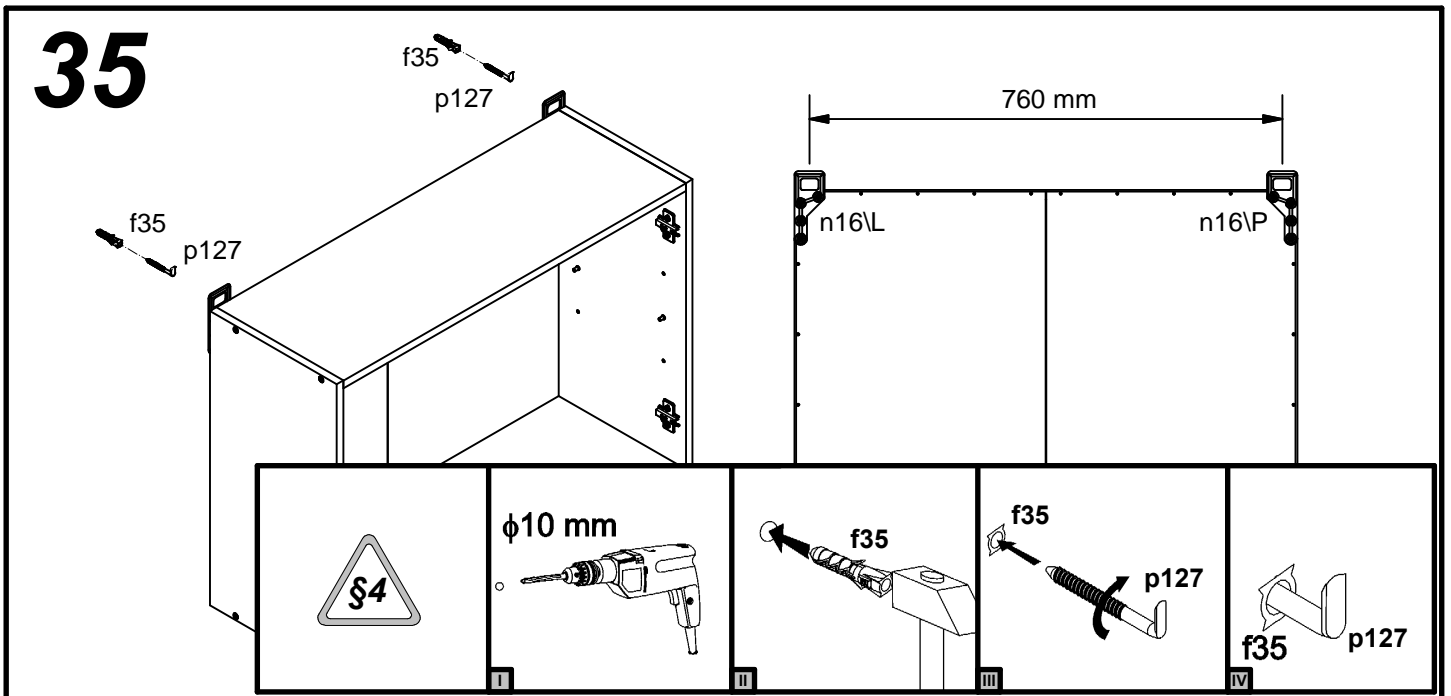
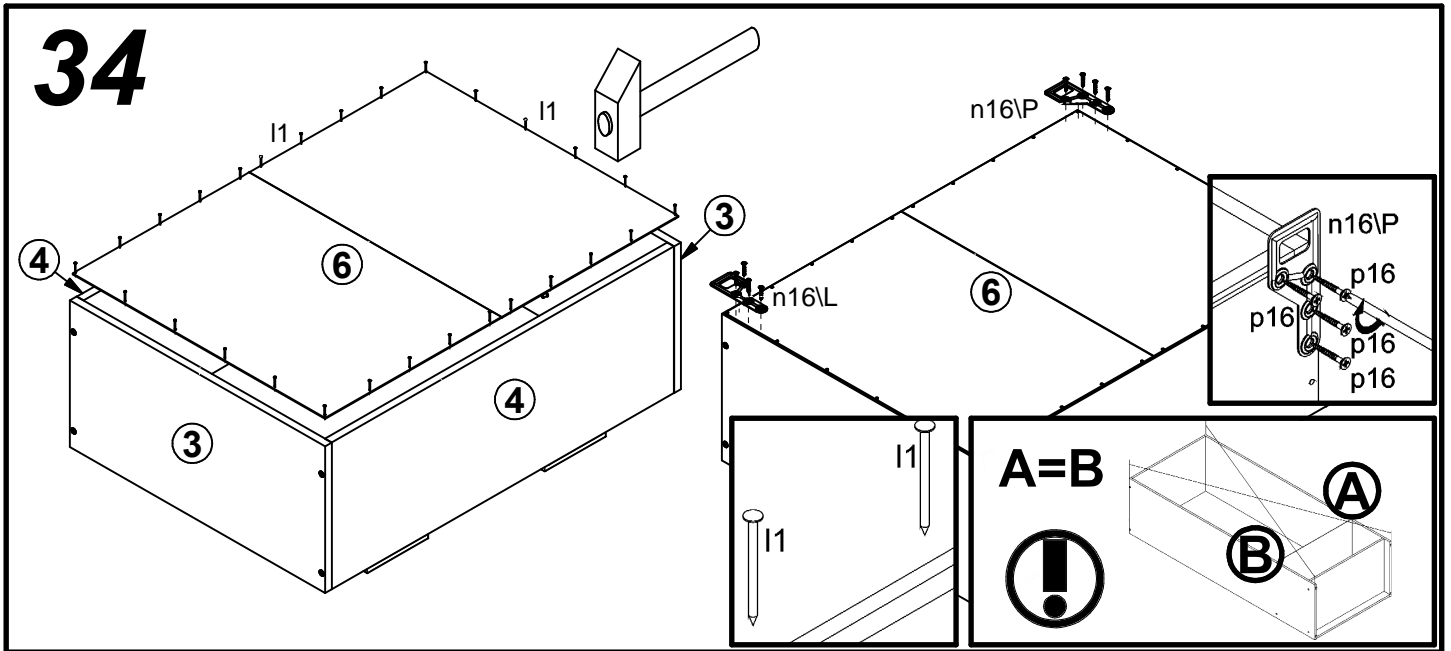
## 32



## 33

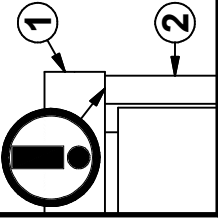






# K24-JUNONA 240 LB

A	B	C	D
1	K24-208	2430	600
2	K24-426	580	820



## 37

