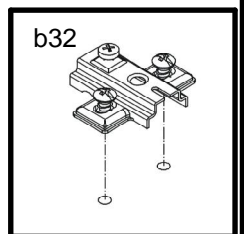
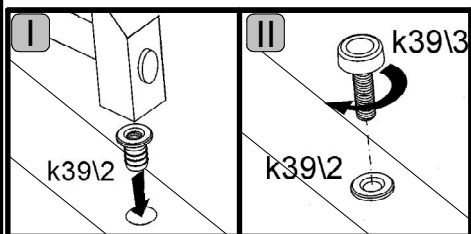
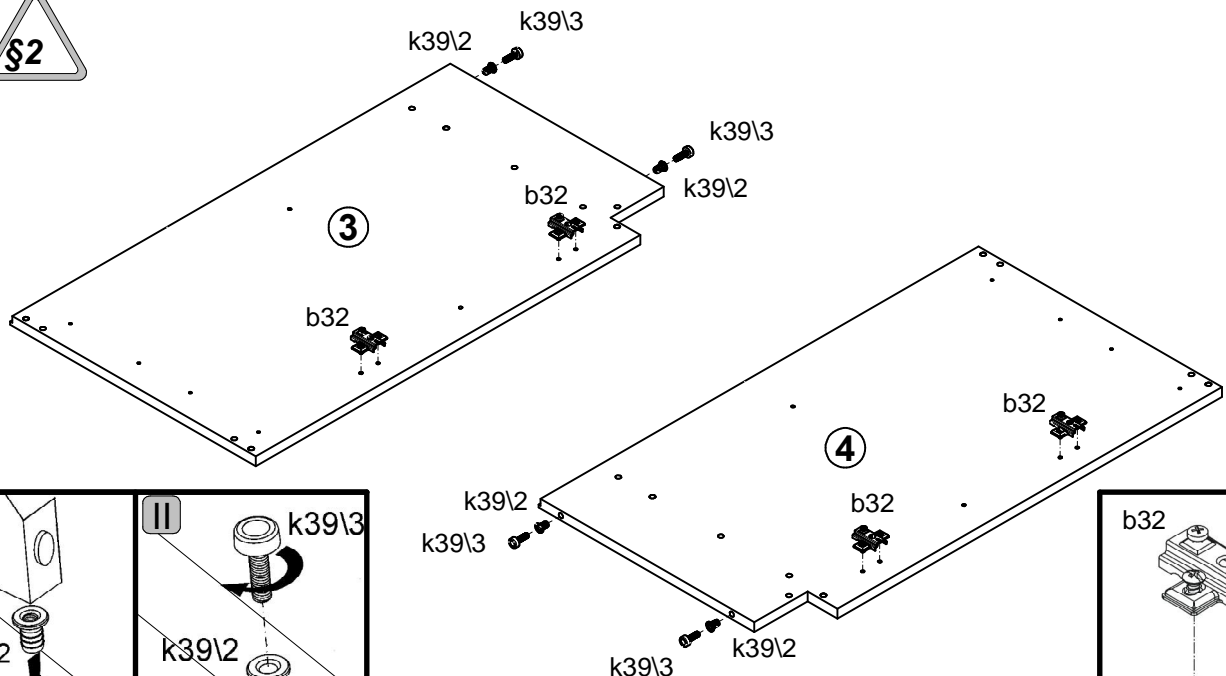
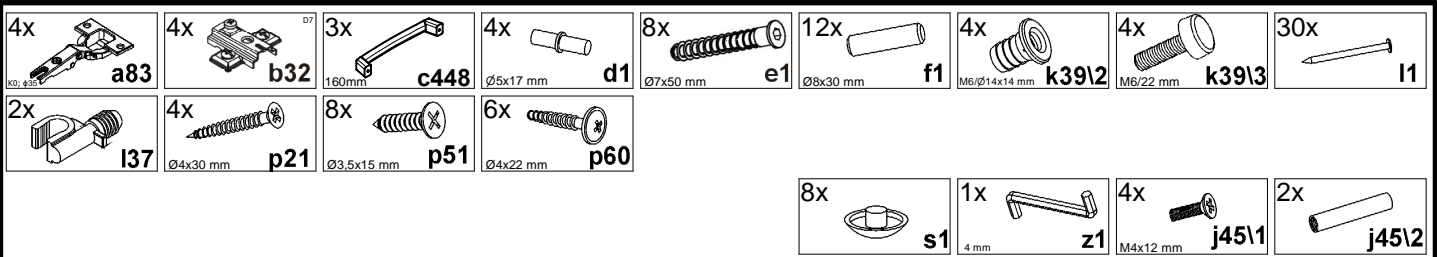
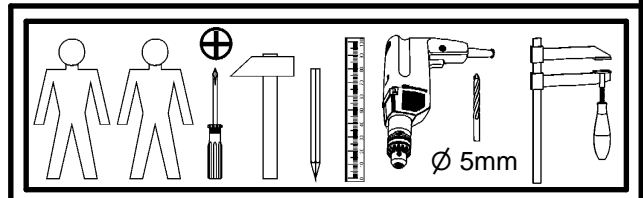
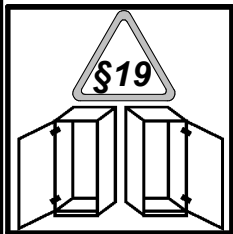
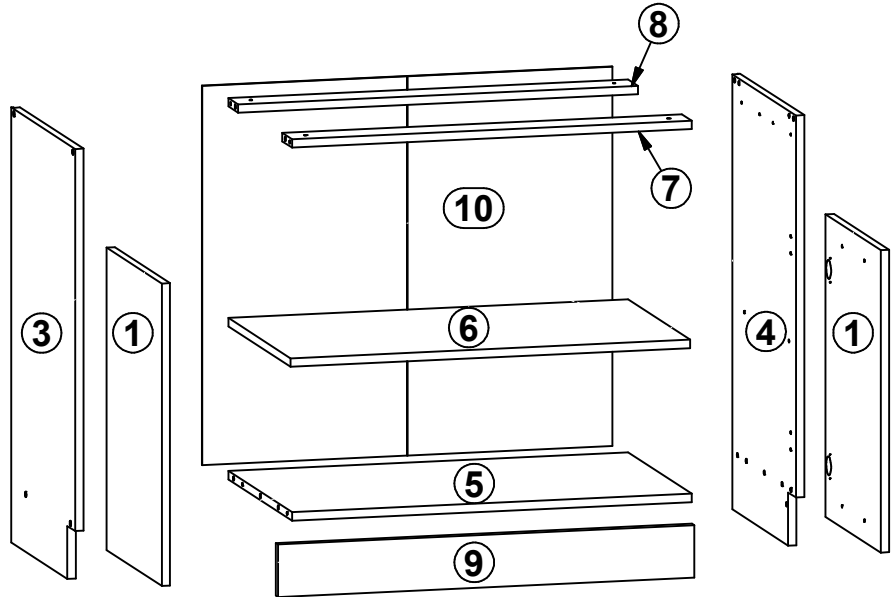
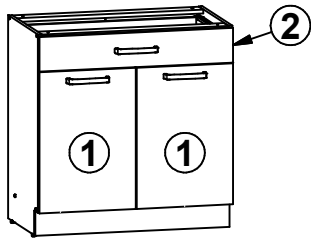
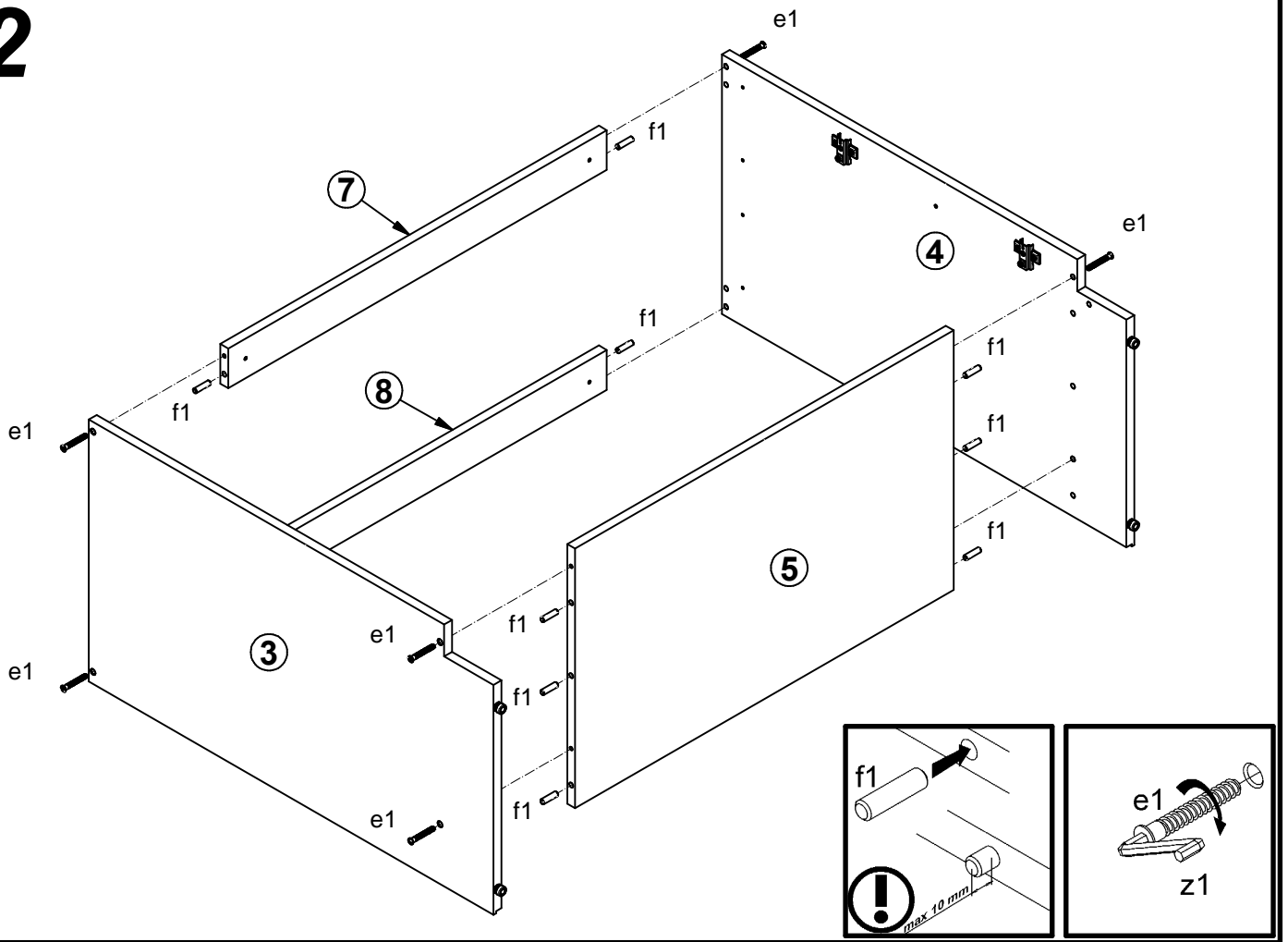


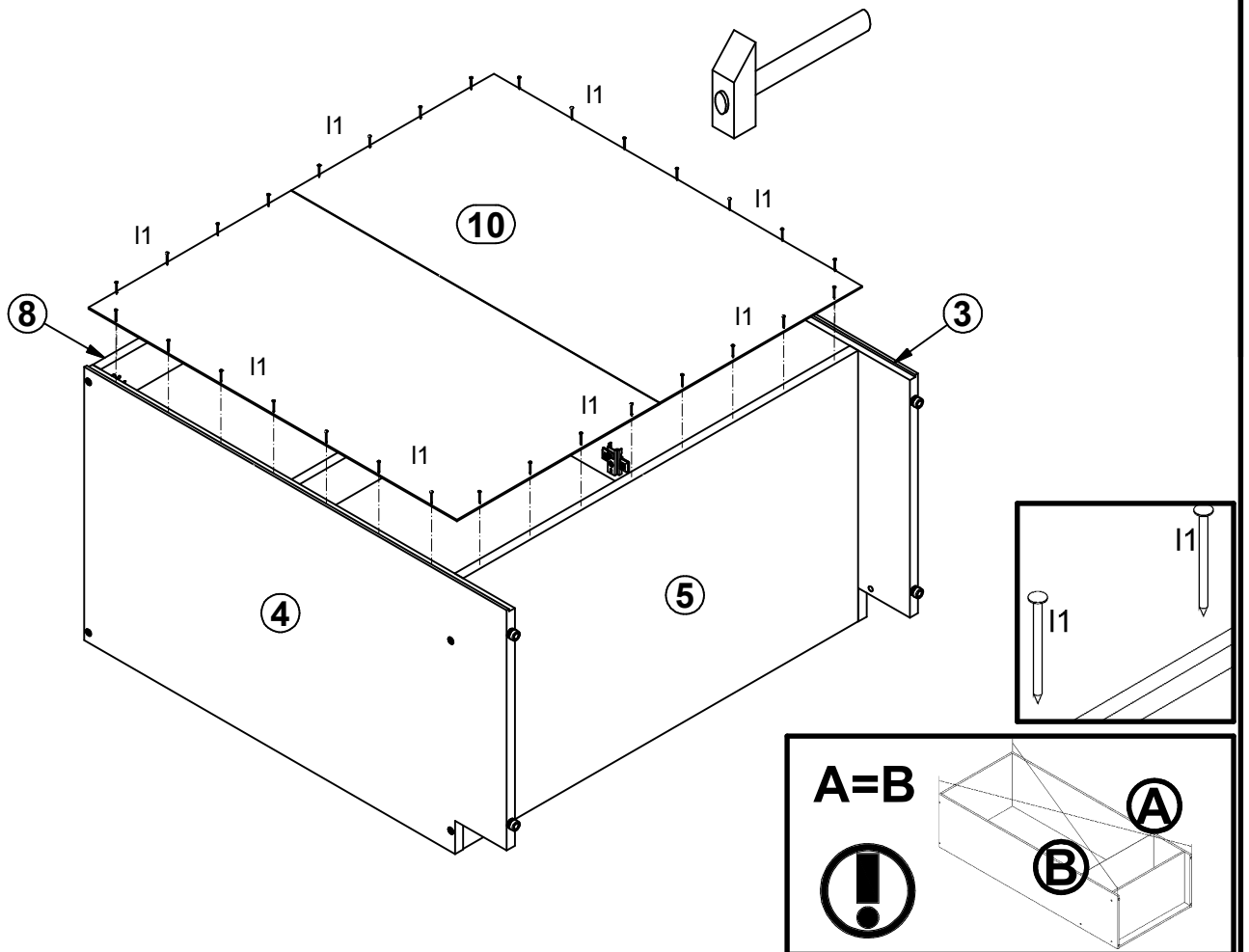
A	B	C	D
1	K30-0002	396	570
2	K30-0018	796	140
3	K30-1007	820	460
4	K30-1008	820	460
5	K30-3019	767	456
6	K30-3020	767	446
7	K30-4008	767	70
8	K30-4009	767	70
9	K30-4010	799	99
10	K30-9008	715	787



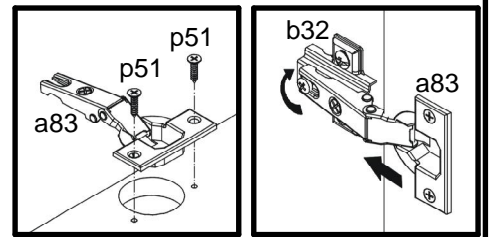
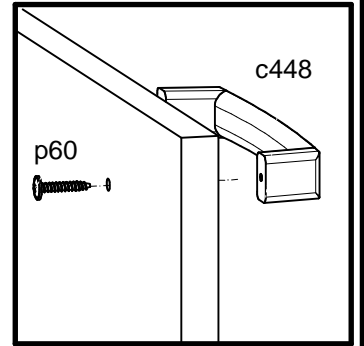
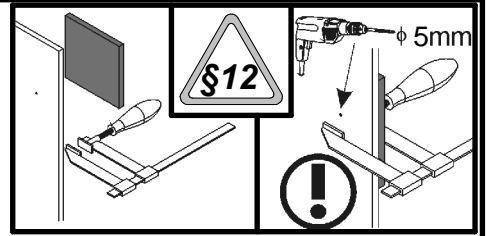
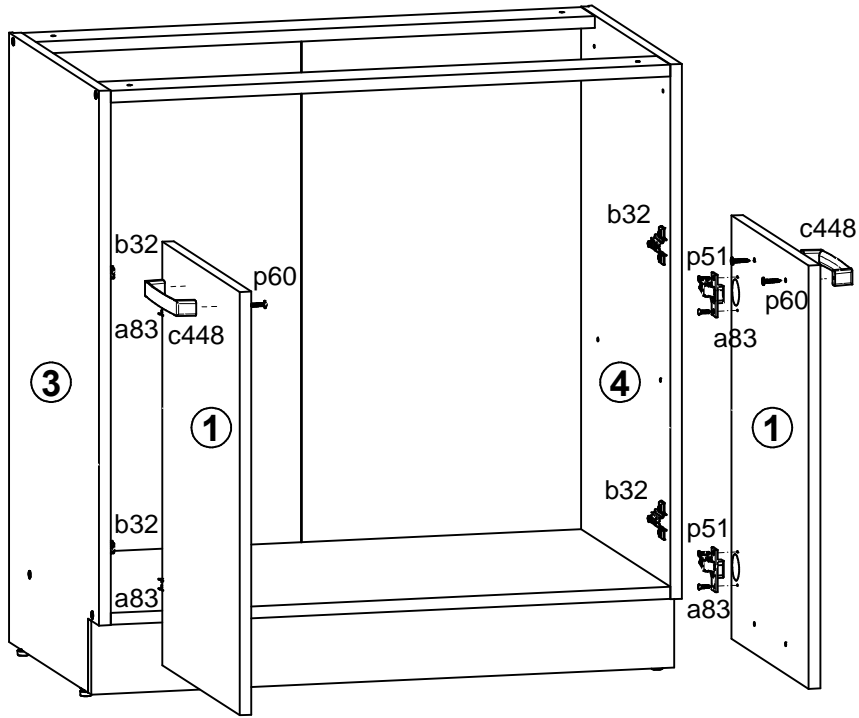
# 2



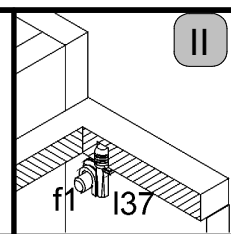
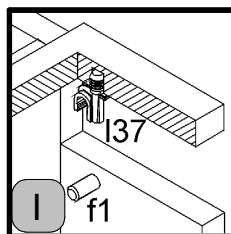
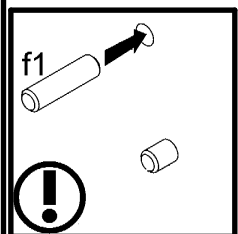
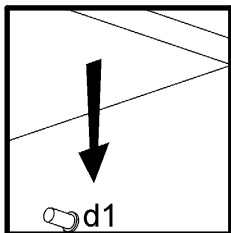
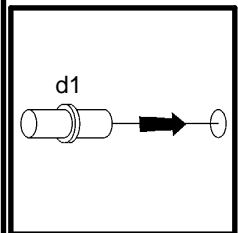
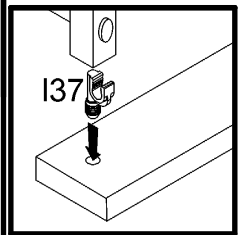
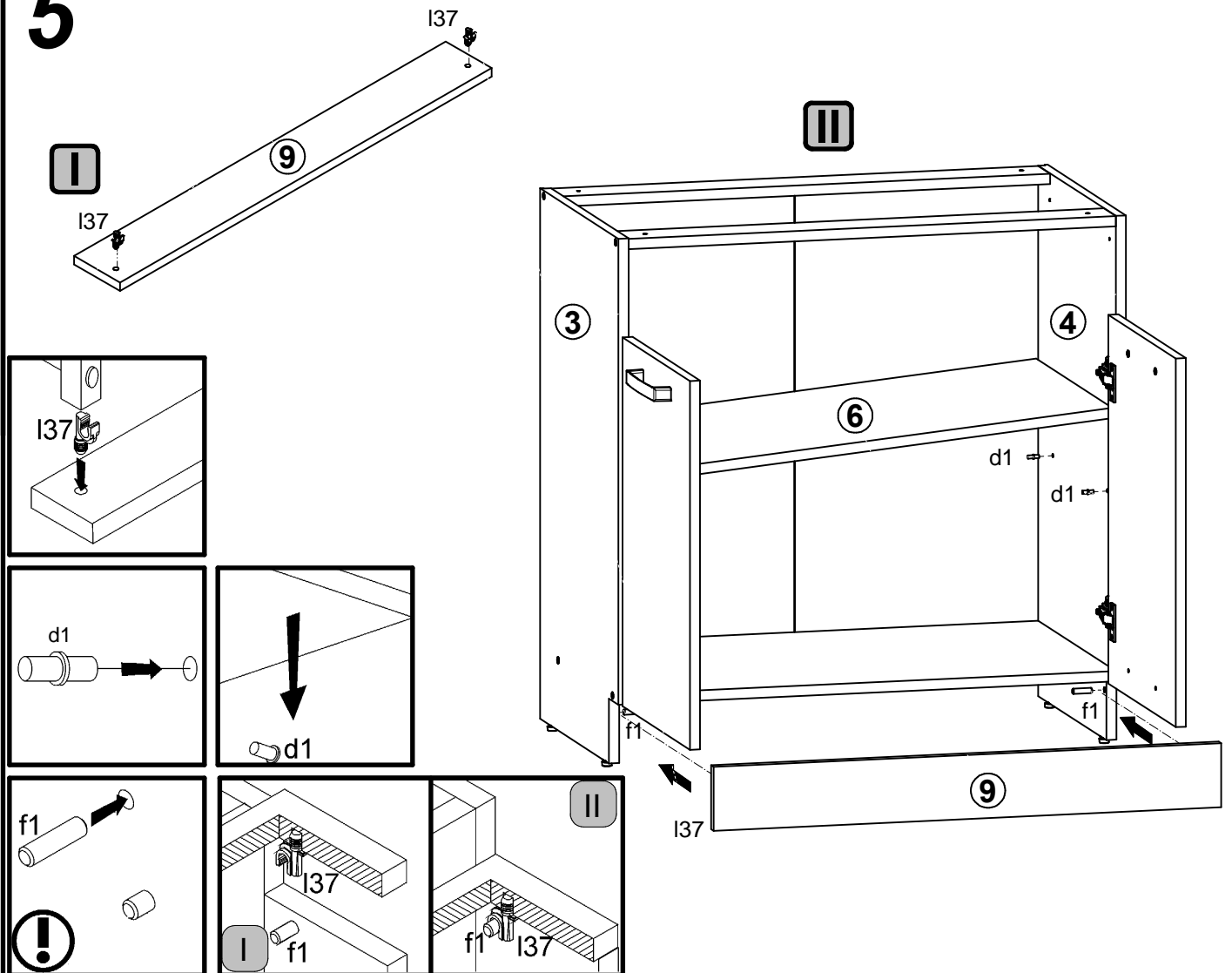
# 3



# 4

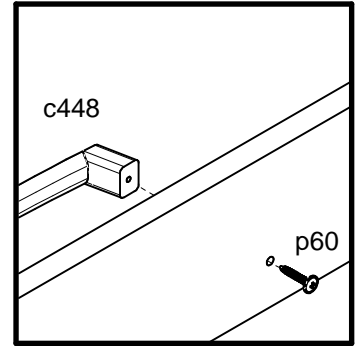
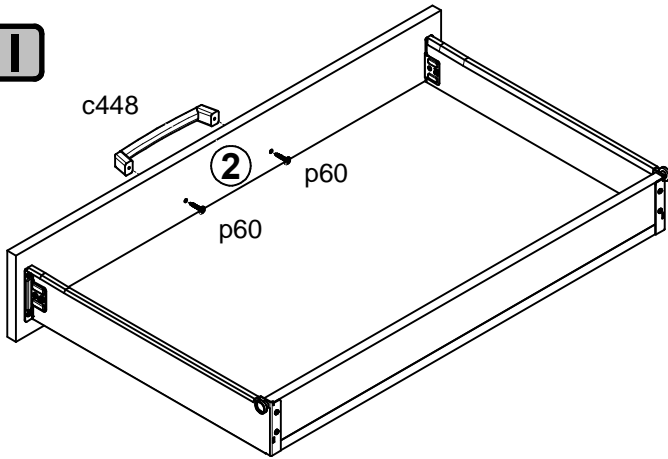


# 5



# 6

I



II

