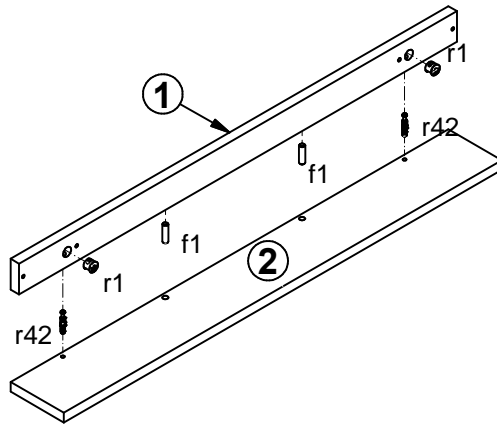
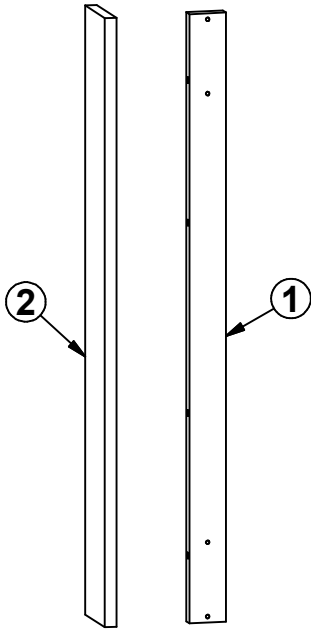


**A****SEMI LINE****K30-DBZ-10/82**

A	B	C	D
1	K30-4013	820	50
2	K30-4014	820	100

**R****L**